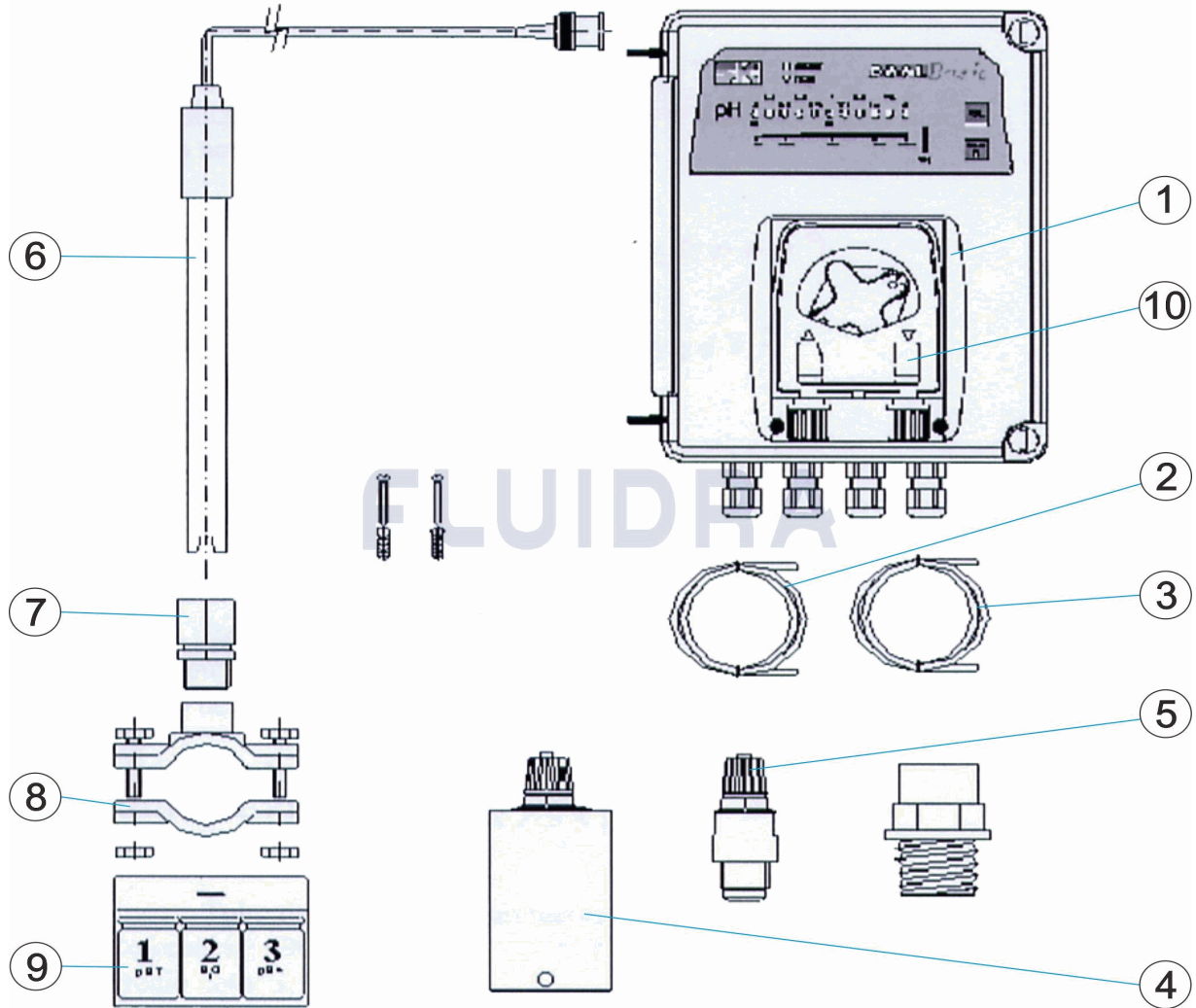


CODIGO **27883**

DESCRIPCION: **BOMBA DOSIFICADORA ASTRAL PH BASIC**

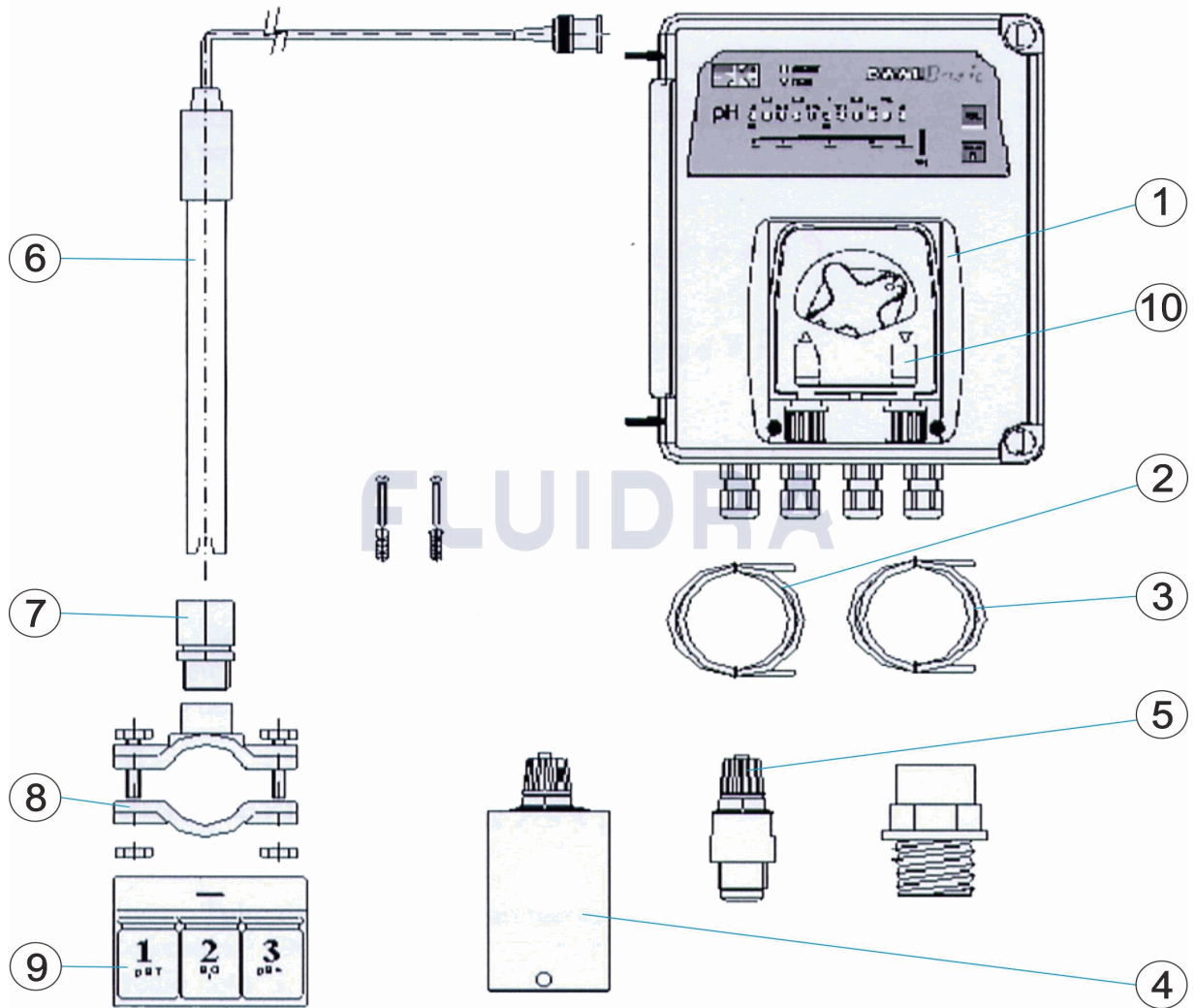


ESPAÑOL

POS	CODIGO	DESCRIPCION	CANTIDAD	POS	CODIGO	DESCRIPCION	CANTIDAD
1	27883R0002	PERISTALTICA POOL BASIC 1,5L/		6	56109R0005	SENSOR PH 0-14	
1	27883R0003	PERISTALTICA POOL BASIC 5L/H		7	27883R0009	PORTASONDAS EN PVC MAXIMA TEM	
2	27883R0007	TUBO ASP. PVC 4X6 LONG.100M		8	66759	COLLARIN DE TOMA DN50 A 1/2"	
3	27883R0008	TUBO IMP. PE 4X6 LONG.100M		9	70948	SOLUCION TAMPON PH 7	
4	27883R0005	FILTRO DE PIE EN PVC		9	70947	SOLUCION TAMPON PH 4	
5	27883R0006	RACORD DE INYECCION EN PVC		10	27883R0004	TUBO DE SANTOPRENE 6,25X10,55 C/RACI	

CODE 27883

DESCRIPTION: POMPE DOSEUSE ASTRAL PH BASIC

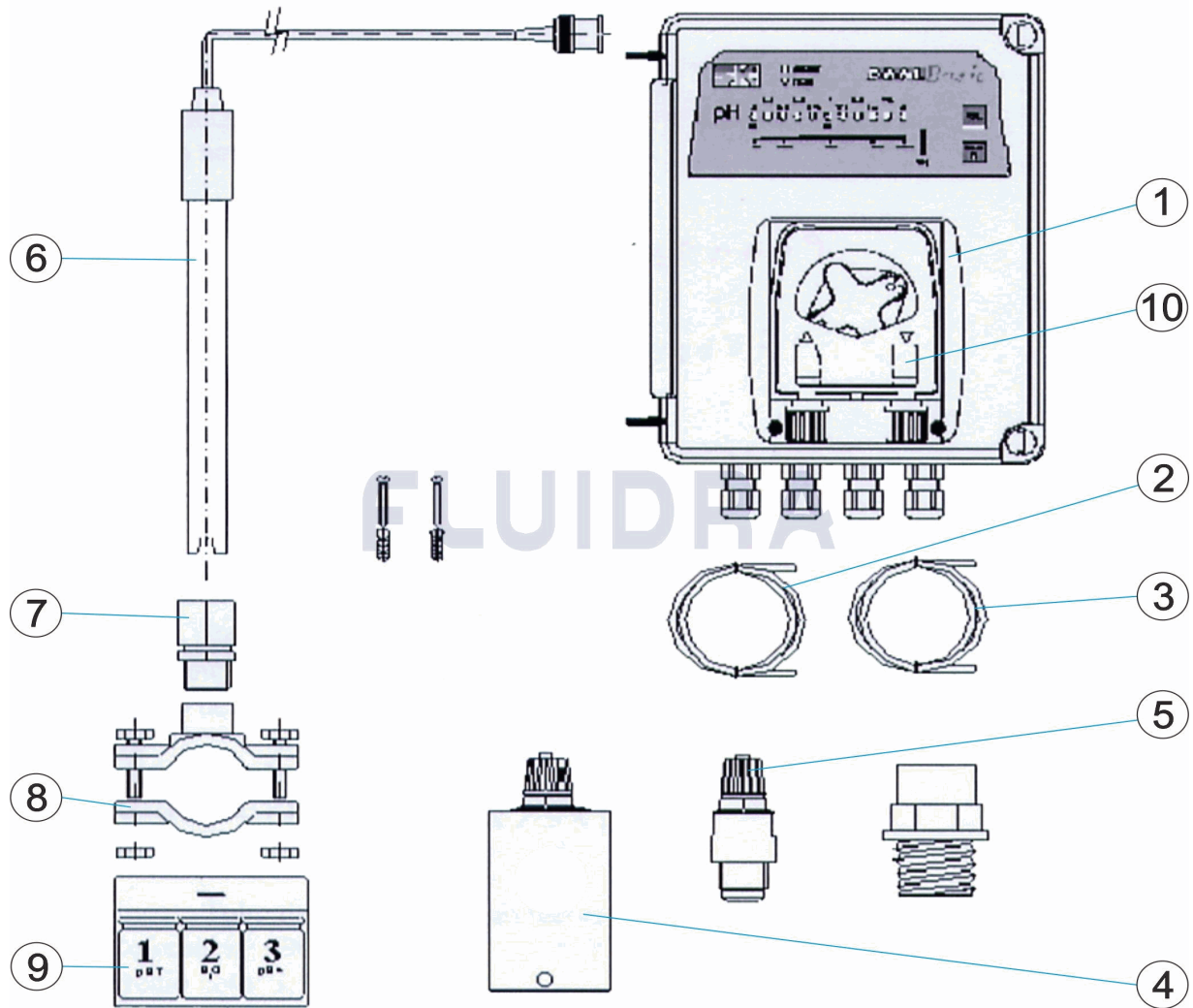


FRANCAIS

POS	CODE	DESCRIPTION	QUANTITE	POS	CODE	DESCRIPTION	QUANTITE
1	27883R0002	PÉRISTALTIQUE POOL BASIC 1,5L/H S/C		6	56109R0005	SONDE PH 0-14	
1	27883R0003	PÉRISTALTIQUE POOL BASIC 5L/H		7	27883R0009	SUPPORT ELECTRODE	
2	27883R0007	TUBE ASP. PVC 4X6 L100M		8	66759	COLLIER DE PRISE EN CHARGE DN50 A 1/2	
3	27883R0008	TUBE IMP. PE 4X6 L100M		9	70948	TAMPON PH 7	
4	27883R0005	CRÉPINE FILTRE EN PVC		9	70947	TAMPON PH 4	
5	27883R0006	RACCORD INJECTION PVC		10	27883R0004	TUBE SANTOPRENE 6,25X10,55 AVEC RAC	

CODE 27883

DESCRIPTION: DOSING PUMP ASTRAL PH BASIC

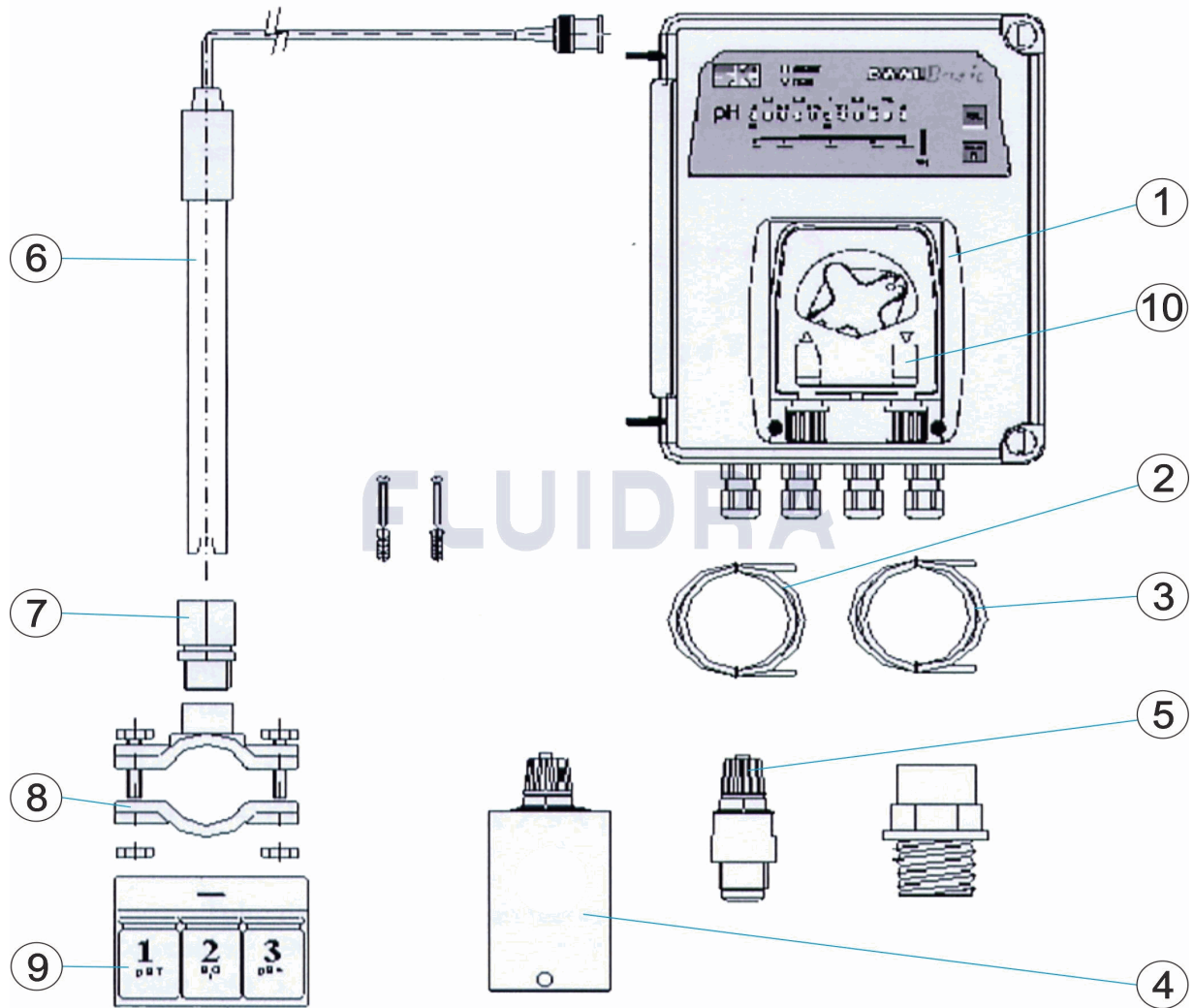


ENGLISH

POS	CODE	DESCRIPTION	QUANTITY	POS	CODE	DESCRIPTION	QUANTITY
1	27883R0002	PERISTALTIC PUMP FOR 1.5LTR MODEL	6	6	56109R0005	PH SENSOR 0-14	
1	27883R0003	PERISTALTIC PUMP FOR 5LTR MODEL	7	7	27883R0009	ELECTRODE HOLDER	
2	27883R0007	4X6 LENG.100M PVC SUCTION PIPE	8	8	66759	CLAMP SADDLE DN50 - 1/2"	
3	27883R0008	4X6 LENG.100M PE RETURN PIPE	9	9	70948	CALIBRATION SOLUTION PH 7	
4	27883R0005	PVC STANDING FILTER	9	9	70947	CALIBRATION SOLUTION PH 4	
5	27883R0006	INJECTION COUPLING IN PVC	10	10	27883R0004	6.25X10.55 SANTOPRENE TUBING W/COUP	

CODE 27883

BESCHREIBUNG: DOSIERPUMPE ASTRAL PH BASIC

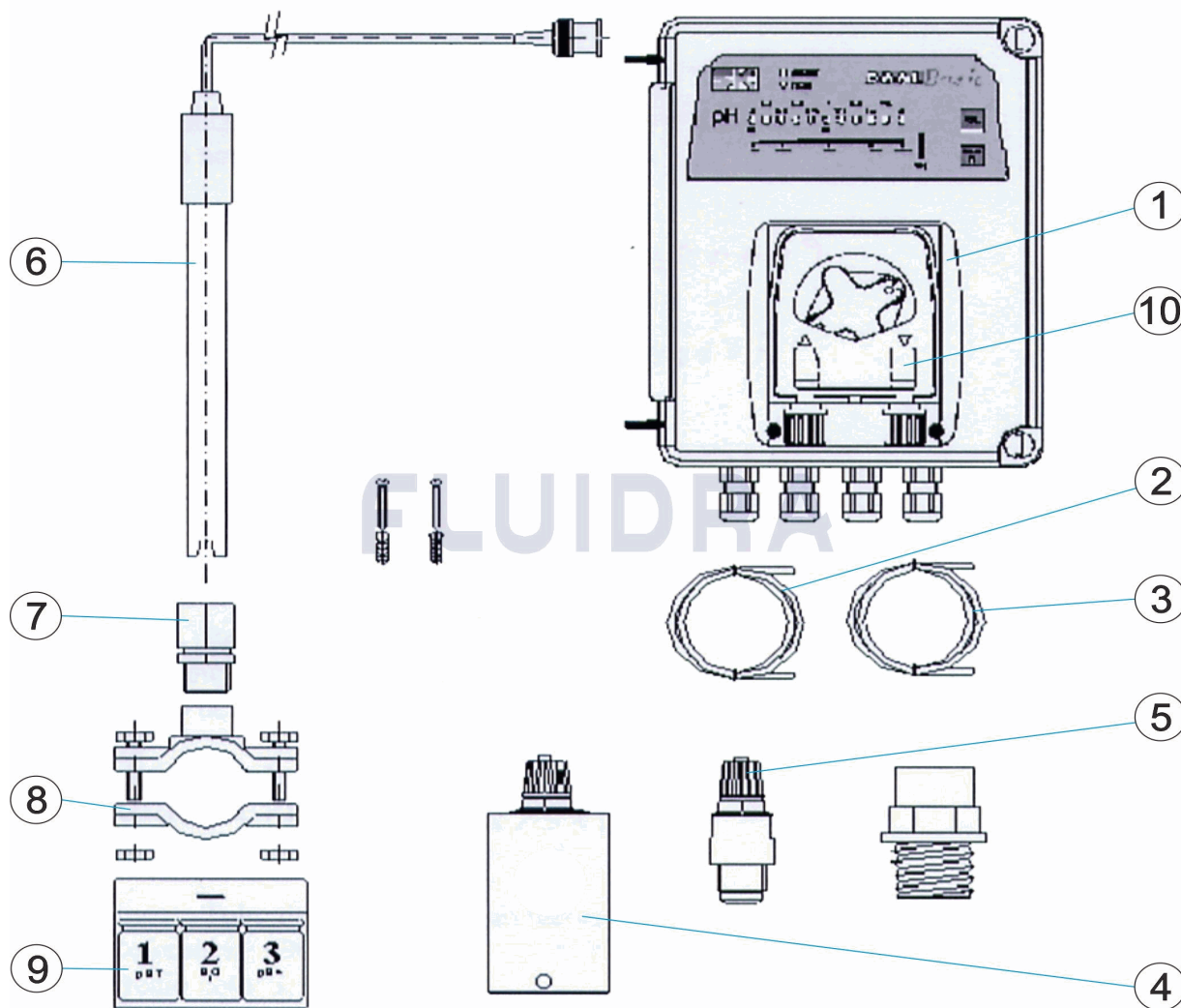


DEUTSCH

POS	CODE	BESCHREIBUNG	MENGE	POS	CODE	BESCHREIBUNG	MENGE
1	27883R0002	PERISTALTIKPUMPE POOL BASIC 1,5 L/		6	56109R0005	PH-MESSER 0-14	
1	27883R0003	PERISTALTIKPUMPE POOL BASIC 5 L/H		7	27883R0009	SONDENHALTERUNG AUS PVC MAXIMA TE	
2	27883R0007	SAUGROHR PVC 4 X 6 L=100M		8	66759	ANSCHLUSSSCHELLE DN50 - 1/2"	
3	27883R0008	ROHR ANTRIEB PE 4 X 6 L=100 M		9	70948	PUFFERLÖSUNG PH 7	
4	27883R0005	STANDFILTER AUS PVC		9	70947	PUFFERLÖSUNG PH 4	
5	27883R0006	INJEKTOR-GEWINDESTÜCK AUS PVC		10	27883R0004	ROHR SANTOPREN 6,25 X 10,55 MIT GEWINN	

CODIGO **27883**

DESCRIÇÃO: **BOMBA DOSEADORA ASTRAL PH BASIC**



PORTUGUES

POS	CODIGO	DESCRIÇÃO	JANTIDADE	POS	CODIGO	DESCRIÇÃO	JANTIDADE
1	27883R0002	PERISTALTICA POOL BASIC 1,5L/H S/C		6	56109R0005	SONDA PH 0-14	
1	27883R0003	PERISTALTICA POOL BASIC 5L/H S/C		7	27883R0009	SUPORTE ELECTRODO	
2	27883R0007	TUBO ASP.PVC 4X6 COMP.100 M		8	66759	COLARINHO DE TOMADA DN50 A 1/2'	
3	27883R0008	TUBO IMP. PE 4X6 COMP.100 M		9	70948	SOLUÇÃO TAMPÃO PH 7	
4	27883R0005	FILTRO DE PÉ EM PVC		9	70947	SOLUÇÃO TAMPÃO PH 4	
5	27883R0006	LIGAÇÃO DE INJEÇÃO EM PVC		10	27883R0004	TUBO 6,25X10,55 C/LIGAÇÕES	