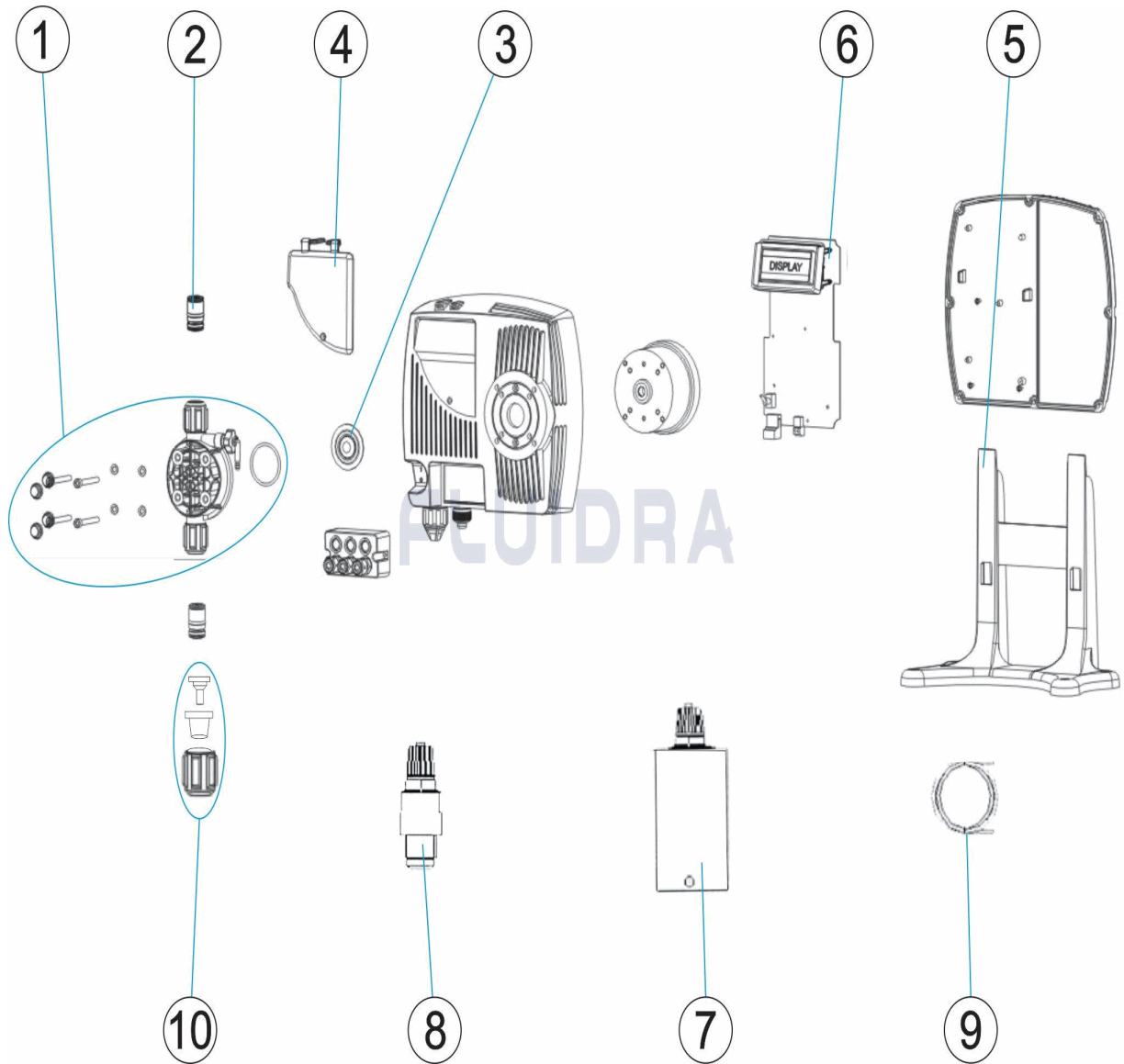


CODIGO **36007, 36008, 36009**

DESCRIPCION: **BOMBA OPTIMA ANALOGICA DE CAUDAL CONSTANTE**



**ESPAÑOL**

| POS | CODIGO       | DESCRIPCION                         | CANTIDAD | POS | CODIGO       | DESCRIPCION                          | CANTIDAD |
|-----|--------------|-------------------------------------|----------|-----|--------------|--------------------------------------|----------|
| 1   | * 36007R0004 | CABEZAL PVDF. FPM. BOLAS CERAMICA 5 |          | 6   | * 36009R0012 | CIRCUITO ANALOGICO 20 L/H.           |          |
| 1   | * 36009R0001 | CABEZAL PVC. FPM. BOLAS CERAMICA 20 |          | 7   | * 36007R0016 | FILTRO DE PIE 4/6MM PVC/FPM          |          |
| 2   | * 36007R0007 | VALVULA PVDF-T/FPM 5-10 L/H.        |          | 7   | * 36007R0019 | FILTRO DE PIE 8/12MM PVC/FPM         |          |
| 2   | * 36009R0007 | VALVULA PVDF-T/FPM 20 L/H.          |          | 8   | * 36007R0013 | RACORD DE INYECCION 4/6MM PVC/FPM    |          |
| 3   | * 36007R0009 | MEMBRANA 5-10 L/H.                  |          | 8   | * 36009R0010 | RACORD DE INYECCION 8/12MM PVC/FPM   |          |
| 3   | * 36009R0009 | MEMBRANA 20 L/H.                    |          | 9   | * 27883R0007 | TUBO ASP. PVC 4X6 LONG. 100M         |          |
| 4   | 36007R0010   | TAPA                                |          | 9   | * 27883R0008 | TUBO IMP. PE 4X6 LONG. 100M          |          |
| 4   | 36007R0022   | TAPA CON CIRCUITO                   |          | 9   | * 36009R0013 | TUBO ASPIRACION PVC. 8X12 LONGITUD 1 |          |
| 5   | 36830        | PIE SOPORTE                         |          | 9   | * 36009R0014 | TUBO IMPULSION PEAD 8X12 LONGITUD 1  |          |
| 6   | * 36007R0012 | CIRCUITO ANALOGICO 5 L/H.           |          | 10  | * 36007R0021 | CONEXION PVC B-C 4/6MM (10 UTS)      |          |
| 6   | * 36008R0012 | CIRCUITO ANALOGICO 10 L/H.          |          | 10  | * 36007R0020 | CONEXION PVC D 8/12MM (10 UTS)       |          |

CODIGO **36007, 36008, 36009**

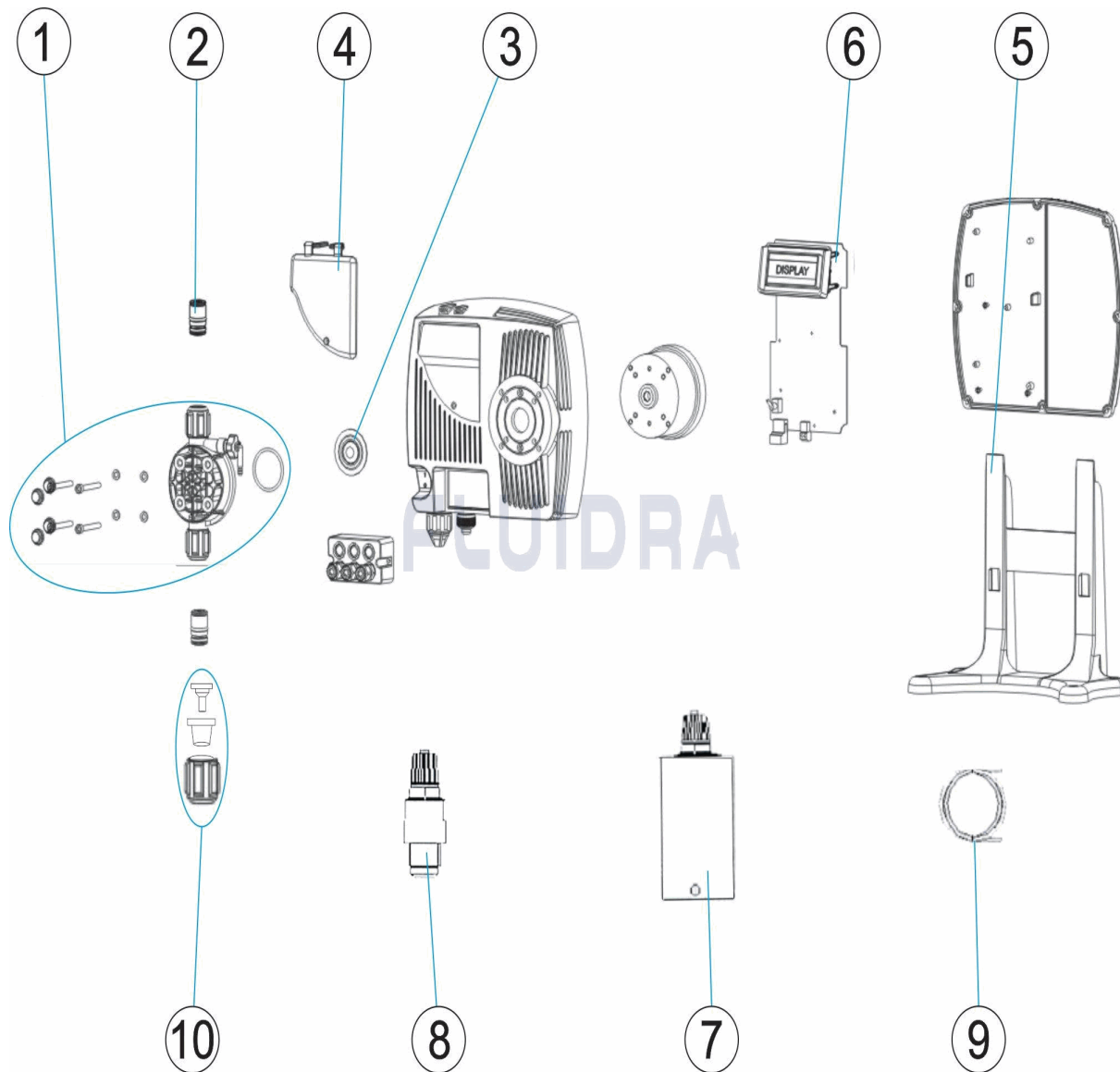
DESCRIPCION: **BOMBA OPTIMA ANALOGICA DE CAUDAL CONSTANTE**

## OBSERVACIONES

| POS | CODIGO       | OBSERVACIONES      |
|-----|--------------|--------------------|
| 1   | * 36007R0004 | PARA: 36007, 36008 |
| 1   | * 36009R0001 | PARA: 36009        |
| 2   | * 36007R0007 | PARA: 36007, 36008 |
| 2   | * 36009R0007 | PARA: 36009        |
| 3   | * 36007R0009 | PARA: 36007, 36008 |
| 3   | * 36009R0009 | PARA: 36009        |
| 6   | * 36007R0012 | PARA: 36007        |
| 6   | * 36008R0012 | PARA: 36008        |
| 6   | * 36009R0012 | PARA: 36009        |
| 7   | * 36007R0016 | PARA: 36007, 36008 |
| 7   | * 36007R0019 | PARA: 36009        |
| 8   | * 36007R0013 | PARA: 36007, 36008 |
| 8   | * 36009R0010 | PARA: 36009        |
| 9   | * 27883R0007 | PARA: 36007, 36008 |
| 9   | * 27883R0008 | PARA: 36007, 36008 |
| 9   | * 36009R0013 | PARA: 36009        |
| 9   | * 36009R0014 | PARA: 36009        |
| 10  | * 36007R0021 | PARA: 36007, 36008 |
| 10  | * 36007R0020 | PARA: 36009        |

CODE **36007, 36008, 36009**

DESCRIPTION: **POMPE OPTIMA ANALOGIQUE À DÉBIT CONSTANT**



**FRANCAIS**

| POS | CODE         | DESCRIPTION                        | QUANTITE | POS | CODE         | DESCRIPTION                          | QUANTITE |
|-----|--------------|------------------------------------|----------|-----|--------------|--------------------------------------|----------|
| 1   | * 36007R0004 | TETE PVDF FPM BOISSEAUX CERAMIQUE  |          | 6   | * 36009R0012 | CIRCUIT ANALOGIQUE 20 L/H            |          |
| 1   | * 36009R0001 | TETE PVC FPM BOISSEAUX PIREX 20L/H |          | 7   | * 36007R0016 | FILTRE PIED 4/6MM PVC/FPM            |          |
| 2   | * 36007R0007 | VANNE PVDF-T/FPM 5-10L/H           |          | 7   | * 36007R0019 | FILTRE PIED 8/12MM PVC/FPM           |          |
| 2   | * 36009R0007 | VANNE PVDF-T/FPM 20L/H             |          | 8   | * 36007R0013 | RACCORD INJECTION 4/6MM PVC/FPM      |          |
| 3   | * 36007R0009 | MEMBRANE 5-10 L/H                  |          | 8   | * 36009R0010 | RACCORD INJECTION 8/12MM PVC/FPM     |          |
| 3   | * 36009R0009 | MEMBRANE 20 L/H                    |          | 9   | * 27883R0007 | TUBE ASP. PVC 4X6 L100M              |          |
| 4   | 36007R0010   | COUVERCLE                          |          | 9   | * 27883R0008 | TUBE IMP. PE 4X6 L100M               |          |
| 4   | 36007R0022   | COUVERCLE DE CIRCUIT               |          | 9   | * 36009R0013 | TUYAU D'ASPIRATION PVC. 8X12 LONGUEL |          |
| 5   | 36830        | PIED SUPPORT                       |          | 9   | * 36009R0014 | TUYAU D'IMPULSION PEAD 8X12 LONGUEL  |          |
| 6   | * 36007R0012 | CIRCUIT ANALOGIQUE 5 L/H           |          | 10  | * 36007R0021 | CONNEXION PVC B-C 4/6MM (10 UTS)     |          |
| 6   | * 36008R0012 | CIRCUIT ANALOGIQUE 10 L/H          |          | 10  | * 36007R0020 | CONNEXION PVC D 8/12MM (10 UTS)      |          |

CODE **36007, 36008, 36009**

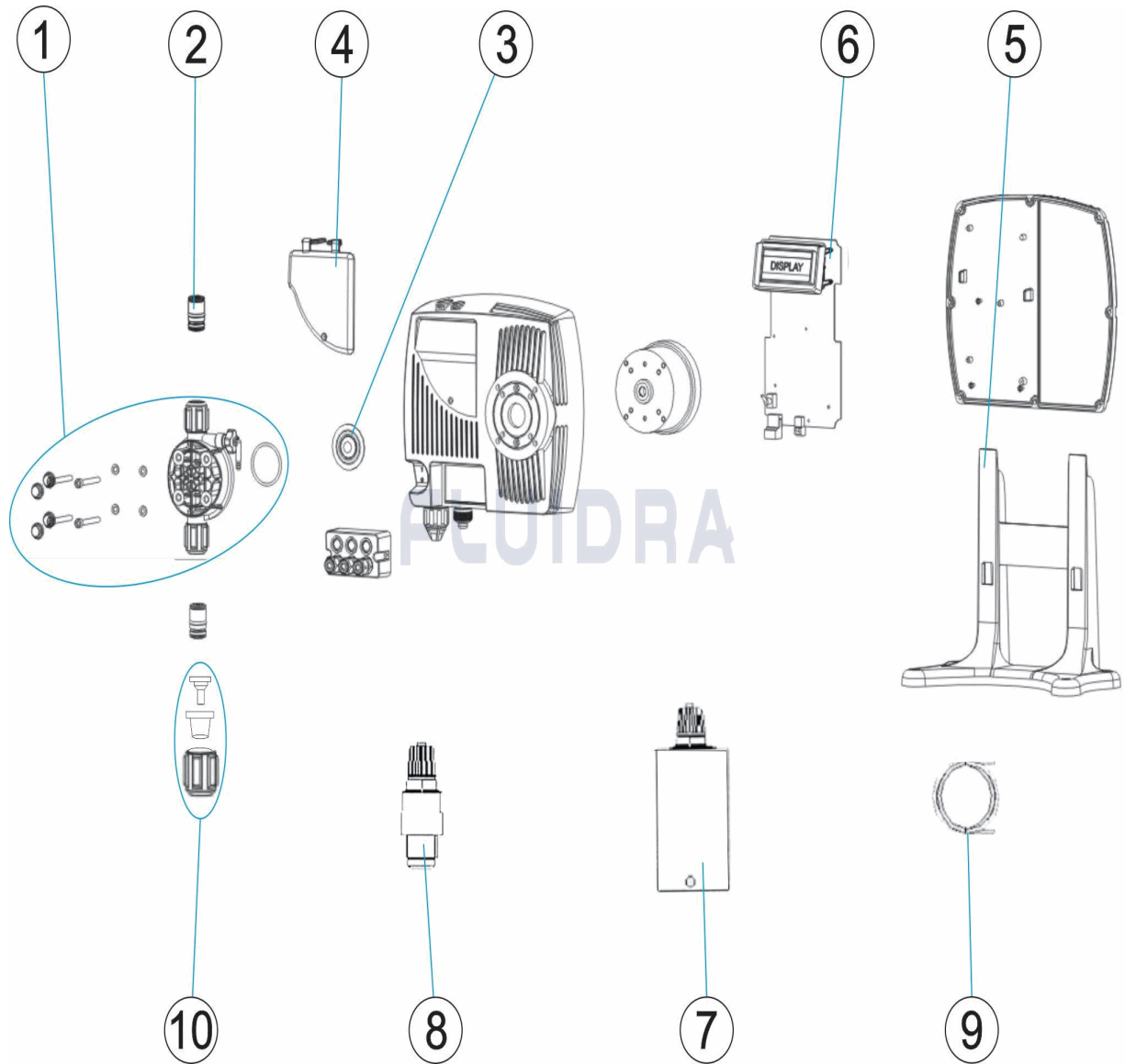
DESCRIPTION: **POMPE OPTIMA ANALOGIQUE À DÉBIT CONSTANT**

## OBSERVATIONS

| POS | CODE         | OBSERVATIONS       |
|-----|--------------|--------------------|
| 1   | * 36007R0004 | POUR: 36007, 36008 |
| 1   | * 36009R0001 | POUR: 36009        |
| 2   | * 36007R0007 | POUR: 36007, 36008 |
| 2   | * 36009R0007 | POUR: 36009        |
| 3   | * 36007R0009 | POUR: 36007, 36008 |
| 3   | * 36009R0009 | POUR: 36009        |
| 6   | * 36007R0012 | POUR: 36007        |
| 6   | * 36008R0012 | POUR: 36008        |
| 6   | * 36009R0012 | POUR: 36009        |
| 7   | * 36007R0016 | POUR: 36007, 36008 |
| 7   | * 36007R0019 | POUR: 36009        |
| 8   | * 36007R0013 | POUR: 36007, 36008 |
| 8   | * 36009R0010 | POUR: 36009        |
| 9   | * 27883R0007 | POUR: 36007, 36008 |
| 9   | * 27883R0008 | POUR: 36007, 36008 |
| 9   | * 36009R0013 | POUR: 36009        |
| 9   | * 36009R0014 | POUR: 36009        |
| 10  | * 36007R0021 | POUR: 36007, 36008 |
| 10  | * 36007R0020 | POUR: 36009        |

CODE **36007, 36008, 36009**

DESCRIPTION: **OPTIMA ANALOG CONSTANT-FLOW PUMP**



**ENGLISH**

| POS | CODE         | DESCRIPTION                           | QUANTITY | POS | CODE         | DESCRIPTION                          | QUANTITY |
|-----|--------------|---------------------------------------|----------|-----|--------------|--------------------------------------|----------|
| 1   | * 36007R0004 | 5-10 L/H CERAMIC BALLS. PVDF HEAD. FP |          | 6   | * 36009R0012 | 20 L/H ANALOGUE CIRCUIT              |          |
| 1   | * 36009R0001 | 20 L/H PYREX BALLS. PVC HEAD. FPM.    |          | 7   | * 36007R0016 | PVC/FPM 4/6MM BOTTOM FILTER          |          |
| 2   | * 36007R0007 | 5-10 L/H PVDF-T/FPM VALVE             |          | 7   | * 36007R0019 | PVC/FPM 8/12MM BOTTOM FILTER         |          |
| 2   | * 36009R0007 | 20 L/H PVDF-T/FPM VALVE               |          | 8   | * 36007R0013 | INJECTION COUPLING 4/6MM PVC/FPM     |          |
| 3   | * 36007R0009 | 5-10 L/H MEMBRANE                     |          | 8   | * 36009R0010 | INJECTION COUPLING 8/12MM PVC/FPM    |          |
| 3   | * 36009R0009 | 20 L/H MEMBRANE                       |          | 9   | * 27883R0007 | 4X6 LENG.100M PVC SUCTION PIPE       |          |
| 4   | 36007R0010   | COVER                                 |          | 9   | * 27883R0008 | 4X6 LENG.100M PE RETURN PIPE         |          |
| 4   | 36007R0022   | COVER WITH CIRCUIT                    |          | 9   | * 36009R0013 | 100 METRES 8X12 LENGTH PVC SUCTION I |          |
| 5   | 36830        | SUPPORT FOOT                          |          | 9   | * 36009R0014 | 100 METRES 8X12 LENGTH PEAD RETURN   |          |
| 6   | * 36007R0012 | 5 L/H ANALOGUE CIRCUIT                |          | 10  | * 36007R0021 | PVC CONNECTION B-C 4/6MM (10 UTS)    |          |
| 6   | * 36008R0012 | 10 L/H ANALOGUE CIRCUIT               |          | 10  | * 36007R0020 | PVC CONNECTION D 8/12MM (10 UTS)     |          |

CODE **36007, 36008, 36009**

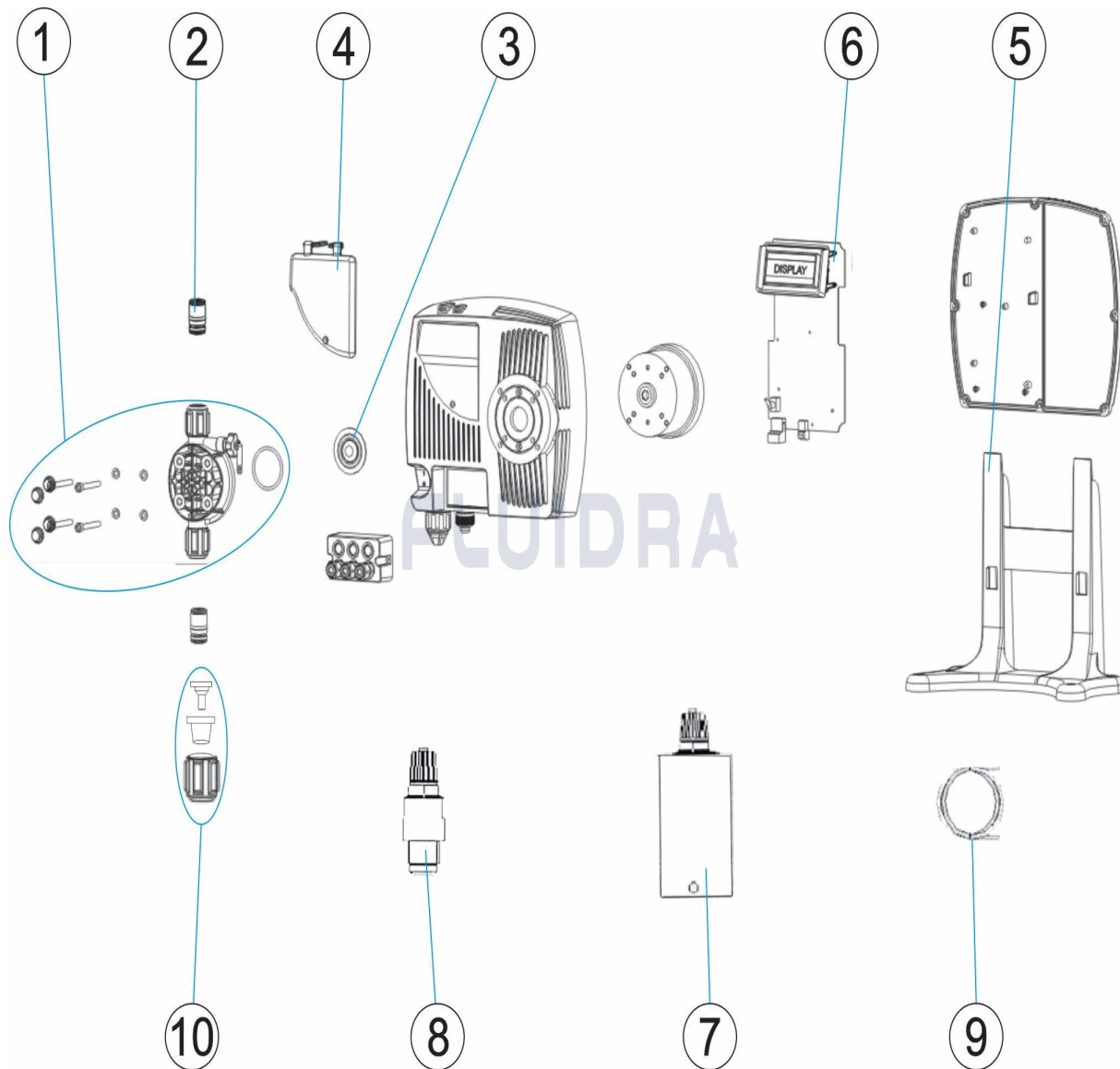
DESCRIPTION: **OPTIMA ANALOG CONSTANT-FLOW PUMP**

**OBSERVATIONS**

| POS | CODE         | OBSERVATIONS      |
|-----|--------------|-------------------|
| 1   | * 36007R0004 | FOR: 36007, 36008 |
| 1   | * 36009R0001 | FOR: 36009        |
| 2   | * 36007R0007 | FOR: 36007, 36008 |
| 2   | * 36009R0007 | FOR: 36009        |
| 3   | * 36007R0009 | FOR: 36007, 36008 |
| 3   | * 36009R0009 | FOR: 36009        |
| 6   | * 36007R0012 | FOR: 36007        |
| 6   | * 36008R0012 | FOR: 36008        |
| 6   | * 36009R0012 | FOR: 36009        |
| 7   | * 36007R0016 | FOR: 36007, 36008 |
| 7   | * 36007R0019 | FOR: 36009        |
| 8   | * 36007R0013 | FOR: 36007, 36008 |
| 8   | * 36009R0010 | FOR: 36009        |
| 9   | * 27883R0007 | FOR: 36007, 36008 |
| 9   | * 27883R0008 | FOR: 36007, 36008 |
| 9   | * 36009R0013 | FOR: 36009        |
| 9   | * 36009R0014 | FOR: 36009        |
| 10  | * 36007R0021 | FOR: 36007, 36008 |
| 10  | * 36007R0020 | FOR: 36009        |

CODICE **36007, 36008, 36009**

DESCRIZIONE: **POMPA OPTIMA ANALOGICA DI PORTATA COSTANTE**



**ITALIANO**

| POS | CODICE       | DESCRIZIONE                           | QUANTITA' | POS | CODICE       | DESCRIZIONE                          | QUANTITA' |
|-----|--------------|---------------------------------------|-----------|-----|--------------|--------------------------------------|-----------|
| 1   | * 36007R0004 | TESTINA PVDF. FPM. SFERE CERAMICA 5-  |           | 6   | * 36009R0012 | CIRCUITO ANALOGICO 20 L/H            |           |
| 1   | * 36009R0001 | TESTINA PVC. FPM. SFERE PIREX 20 L/H. |           | 7   | * 36007R0016 | FILTRO ASPIRAZIONE 4/6MM PVC/FPM     |           |
| 2   | * 36007R0007 | VALVOLA PVDF-T/FPM 5-10 L/H.          |           | 7   | * 36007R0019 | FILTRO ASPIRAZIONE 8/12MM PVC/FPM    |           |
| 2   | * 36009R0007 | VALVOLA PVDF-T/FPM 20 L/H.            |           | 8   | * 36007R0013 | RACCORDO DI INIEZIONE 4/6MM PVC/FPM  |           |
| 3   | * 36007R0009 | MEMBRANA 5-10 L/H.                    |           | 8   | * 36009R0010 | RACCORDO DI INIEZIONE 8/12MM PVC/FPM |           |
| 3   | * 36009R0009 | MEMBRANA 20 L/H.                      |           | 9   | * 27883R0007 | TUBO ASPIRAZIONE PVC 4X6 L 100M      |           |
| 4   | 36007R0010   | COPERCHIO                             |           | 9   | * 27883R0008 | TUBO MANDATA PE 4X6 L 100M           |           |
| 4   | 36007R0022   | COPERCHIO CON IL CIRCUITO             |           | 9   | * 36009R0013 | TUBO ASPIRAZIONE PVC. 8X12 LUNGHEZZ  |           |
| 5   | 36830        | PIEDE SUPPORTO                        |           | 9   | * 36009R0014 | TUBO IMPULSIONE PEAD 8X12 LUNGHEZZ   |           |
| 6   | * 36007R0012 | CIRCUITO ANALOGICO 5 L/H.             |           | 10  | * 36007R0021 | COLLEGAMENTO PVC B-C 4/6MM (10 UTS)  |           |
| 6   | * 36008R0012 | CIRCUITO ANALOGICO 10 L/H             |           | 10  | * 36007R0020 | COLLEGAMENTO PVC D 8/12MM (10 UTS)   |           |

CODICE **36007, 36008, 36009**

DESCRIZIONE: **POMPA OPTIMA ANALOGICA DI PORTATA COSTANTE**

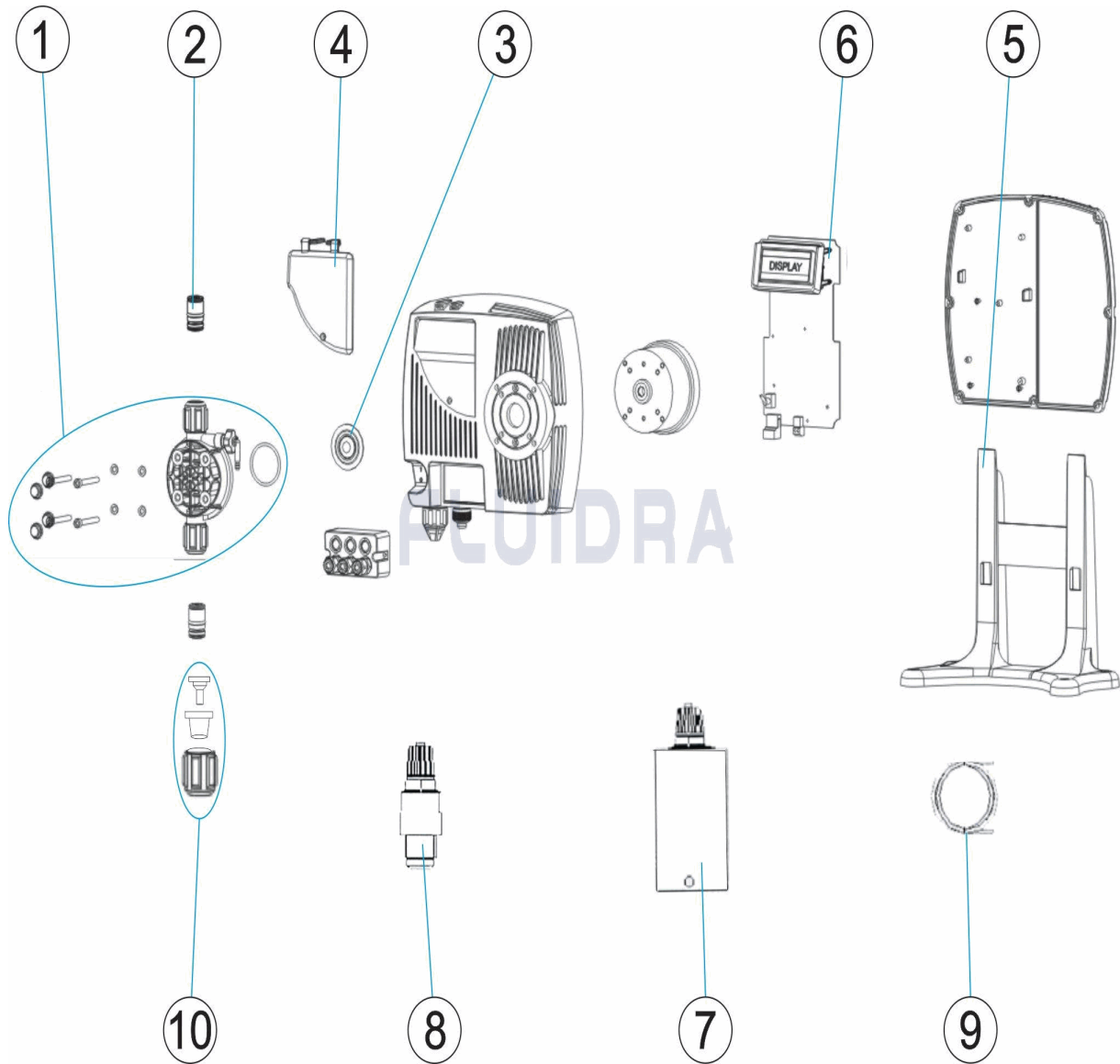
## OSSERVAZIONI

| POS | CODICE       | OSSERVAZIONI      |
|-----|--------------|-------------------|
| 1   | * 36007R0004 | PER: 36007, 36008 |
| 1   | * 36009R0001 | PER: 36009        |
| 2   | * 36007R0007 | PER: 36007, 36008 |
| 2   | * 36009R0007 | PER: 36009        |
| 3   | * 36007R0009 | PER: 36007, 36008 |
| 3   | * 36009R0009 | PER: 36009        |
| 6   | * 36007R0012 | PER: 36007        |
| 6   | * 36008R0012 | PER: 36008        |
| 6   | * 36009R0012 | PER: 36009        |
| 7   | * 36007R0016 | PER: 36007, 36008 |
| 7   | * 36007R0019 | PER: 36009        |
| 8   | * 36007R0013 | PER: 36007, 36008 |
| 8   | * 36009R0010 | PER: 36009        |
| 9   | * 27883R0007 | PER: 36007, 36008 |
| 9   | * 27883R0008 | PER: 36007, 36008 |
| 9   | * 36009R0013 | PER: 36009        |
| 9   | * 36009R0014 | PER: 36009        |
| 10  | * 36007R0021 | PER: 36007, 36008 |
| 10  | * 36007R0020 | PER: 36009        |



CODE **36007, 36008, 36009**

BESCHREIBUNG: **PUMPE OPTIMA ANALOG MIT KONSTANTEM DURCHFLUSS**



**DEUTSCH**

| POS | CODE         | BESCHREIBUNG                      | MENGE | POS | CODE         | BESCHREIBUNG                         | MENGE |
|-----|--------------|-----------------------------------|-------|-----|--------------|--------------------------------------|-------|
| 1   | * 36007R0004 | KOPFSTÜCK PVDF. FPM. KUGELN KERAM |       | 6   | * 36009R0012 | SCHALTKREIS ANALOG 20 L/H            |       |
| 1   | * 36009R0001 | KOPFSTÜCK PVC. FPM. KERAMIKKUGELN |       | 7   | * 36007R0016 | STANDFILTER 4/6MM PVC/FPM            |       |
| 2   | * 36007R0007 | VENTIL PVDF-T/FPM 5 - 10 L/H      |       | 7   | * 36007R0019 | STANDFILTER 8/12MM PVC/FPM           |       |
| 2   | * 36009R0007 | VENTIL PVDF-T/FPM 20 L/H          |       | 8   | * 36007R0013 | INJEKTOR-GEWINDESTÜCK 4/6MM PVC/FP   |       |
| 3   | * 36007R0009 | MEMBRAN 5 - 10 L/H                |       | 8   | * 36009R0010 | INJEKTOR-GEWINDESTÜCK 8/12MM PVC/F   |       |
| 3   | * 36009R0009 | MEMBRAN 20 L/H                    |       | 9   | * 27883R0007 | SAUGROHR PVC 4 X 6 L=100M            |       |
| 4   | 36007R0010   | ABDECKUNG                         |       | 9   | * 27883R0008 | ROHR ANTRIEB PE 4 X 6 L=100 M        |       |
| 4   | 36007R0022   | ABDECKUNG MIT SCHLTKREIS          |       | 9   | * 36009R0013 | SAUGROHR PVC. 8 X 12 LÄNGE 100 METEF |       |
| 5   | 36830        | STÜTZFUSS                         |       | 9   | * 36009R0014 | DRUCKROHR PEAD 8 X 12 LÄNGE 100 MET  |       |
| 6   | * 36007R0012 | SCHALTKREIS ANALOG 5 L/H          |       | 10  | * 36007R0021 | ANSCHLUSS PVC B-C 4/6MM (10 UTS)     |       |
| 6   | * 36008R0012 | SCHALTKREIS ANALOG 10 L/H         |       | 10  | * 36007R0020 | ANSCHLUSS PVC D 8/12MM (10 UTS)      |       |

CODE **36007, 36008, 36009**

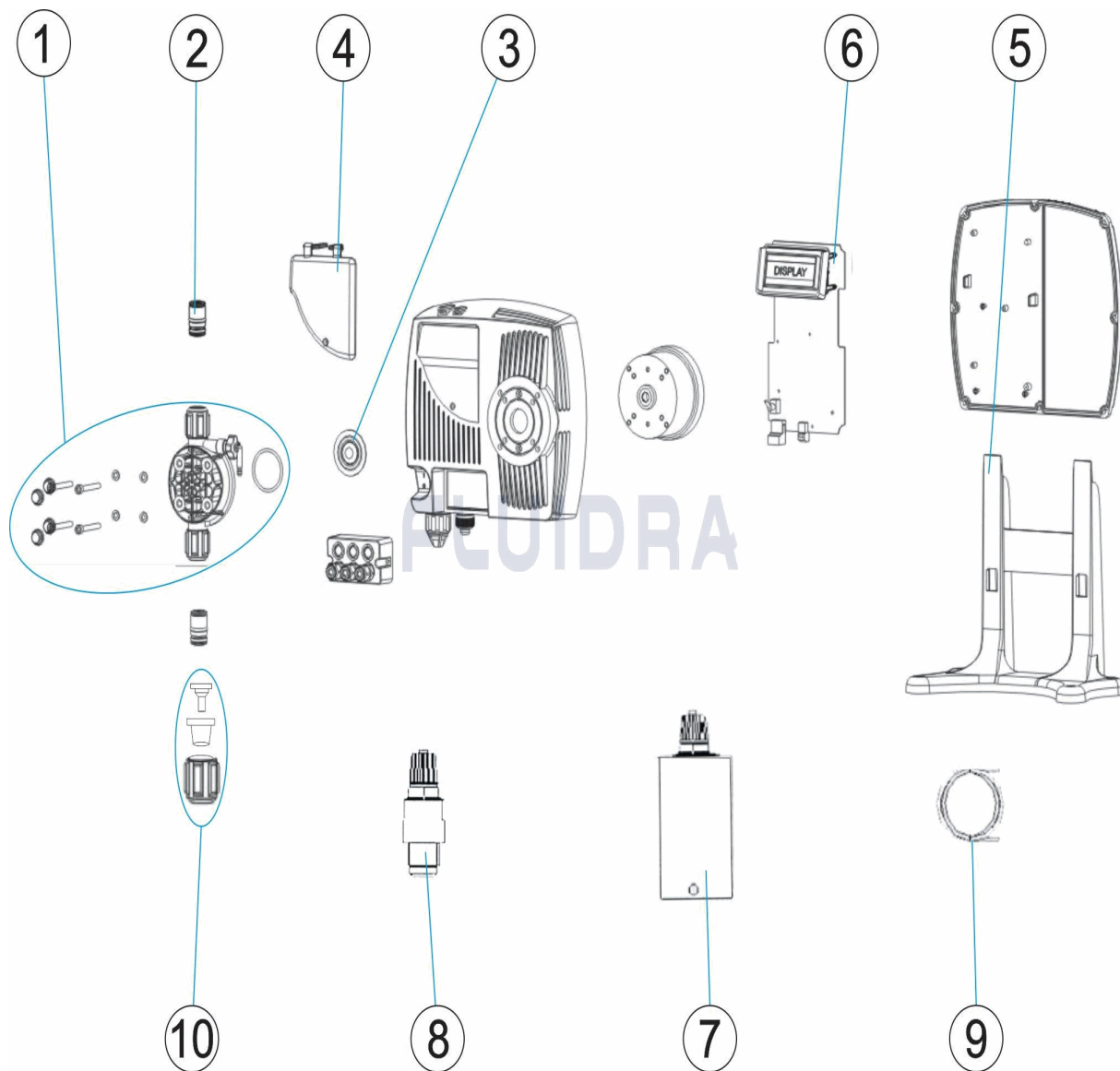
BESCHREIBUNG: **PUMPE OPTIMA ANALOG MIT KONSTANTEM DURCHFLUSS**

## HINWEISE

| POS | CODE         | HINWEISE          |
|-----|--------------|-------------------|
| 1   | * 36007R0004 | FÜR: 36007, 36008 |
| 1   | * 36009R0001 | FÜR: 36009        |
| 2   | * 36007R0007 | FÜR: 36007, 36008 |
| 2   | * 36009R0007 | FÜR: 36009        |
| 3   | * 36007R0009 | FÜR: 36007, 36008 |
| 3   | * 36009R0009 | FÜR: 36009        |
| 6   | * 36007R0012 | FÜR: 36007        |
| 6   | * 36008R0012 | FÜR: 36008        |
| 6   | * 36009R0012 | FÜR: 36009        |
| 7   | * 36007R0016 | FÜR: 36007, 36008 |
| 7   | * 36007R0019 | FÜR: 36009        |
| 8   | * 36007R0013 | FÜR: 36007, 36008 |
| 8   | * 36009R0010 | FÜR: 36009        |
| 9   | * 27883R0007 | FÜR: 36007, 36008 |
| 9   | * 27883R0008 | FÜR: 36007, 36008 |
| 9   | * 36009R0013 | FÜR: 36009        |
| 9   | * 36009R0014 | FÜR: 36009        |
| 10  | * 36007R0021 | FÜR: 36007, 36008 |
| 10  | * 36007R0020 | FÜR: 36009        |

CODIGO **36007, 36008, 36009**

DESCRIÇÃO: **BOMBA OPTIMA ANALÓGICA DE CAUDAL CONSTANTE**



**PORTUGUES**

| POS | CODIGO       | DESCRIÇÃO                            | JANTIDADE | POS | CODIGO       | DESCRIÇÃO                           | JANTIDADE |
|-----|--------------|--------------------------------------|-----------|-----|--------------|-------------------------------------|-----------|
| 1   | * 36007R0004 | CABEÇAL PVDF FPM BOLAS CERAMICA 5-   |           | 6   | * 36009R0012 | CIRCUITO ANALÓGICO 20 L/H           |           |
| 1   | * 36009R0001 | CABEÇAL PVC. FPM BOLAS PIREX 20 L/H. |           | 7   | * 36007R0016 | FILTRO DE PE 4/6MM PVC/FPM          |           |
| 2   | * 36007R0007 | VALVULA PVDF-T/FPM 5-10 L/H.         |           | 7   | * 36007R0019 | FILTRO DE PE 8/12MM PVC/FPM         |           |
| 2   | * 36009R0007 | VALVULA PVDF-T/FPM 20 L/H.           |           | 8   | * 36007R0013 | LIGAÇÃO DE INJEÇÃO 4/6MM PVC/FPM    |           |
| 3   | * 36007R0009 | MEMBRANA 5-10 L/H.                   |           | 8   | * 36009R0010 | LIGAÇÃO DE INJEÇÃO 8/12MM PVC/FPM   |           |
| 3   | * 36009R0009 | MEMBRANA 20 L/H.                     |           | 9   | * 27883R0007 | TUBO ASP.PVC 4X6 COMP.100 M         |           |
| 4   | 36007R0010   | TAMPA                                |           | 9   | * 27883R0008 | TUBO IMP. PE 4X6 COMP.100 M         |           |
| 4   | 36007R0022   | TAMPA COM CIRCUITO                   |           | 9   | * 36009R0013 | TUBO ASPIRAÇÃO PVC 8X12 COMPRIMEN   |           |
| 5   | 36830        | SUPORTE DA BASE                      |           | 9   | * 36009R0014 | TUBO IMPULSAÇÃO PEAD 8X12 COMPRIMEN |           |
| 6   | * 36007R0012 | CIRCUITO ANALÓGICO 5 L/H             |           | 10  | * 36007R0021 | LIGAÇÃO PVC B-C 4/6MM (10 UTS)      |           |
| 6   | * 36008R0012 | CIRCUITO ANALÓGICO 10 L/H            |           | 10  | * 36007R0020 | LIGAÇÃO PVC D 8/12MM (10 UTS)       |           |

**CODIGO 36007, 36008, 36009**

**DESCRIÇÃO: BOMBA OPTIMA ANALÓGICA DE CAUDAL CONSTANTE**

## OBSERVAÇÕES

| POS | CODIGO       | OBSERVAÇÕES        |
|-----|--------------|--------------------|
| 1   | * 36007R0004 | PARA: 36007, 36008 |
| 1   | * 36009R0001 | PARA: 36009        |
| 2   | * 36007R0007 | PARA: 36007, 36008 |
| 2   | * 36009R0007 | PARA: 36009        |
| 3   | * 36007R0009 | PARA: 36007, 36008 |
| 3   | * 36009R0009 | PARA: 36009        |
| 6   | * 36007R0012 | PARA: 36007        |
| 6   | * 36008R0012 | PARA: 36008        |
| 6   | * 36009R0012 | PARA: 36009        |
| 7   | * 36007R0016 | PARA: 36007, 36008 |
| 7   | * 36007R0019 | PARA: 36009        |
| 8   | * 36007R0013 | PARA: 36007, 36008 |
| 8   | * 36009R0010 | PARA: 36009        |
| 9   | * 27883R0007 | PARA: 36007, 36008 |
| 9   | * 27883R0008 | PARA: 36007, 36008 |
| 9   | * 36009R0013 | PARA: 36009        |
| 9   | * 36009R0014 | PARA: 36009        |
| 10  | * 36007R0021 | PARA: 36007, 36008 |
| 10  | * 36007R0020 | PARA: 36009        |