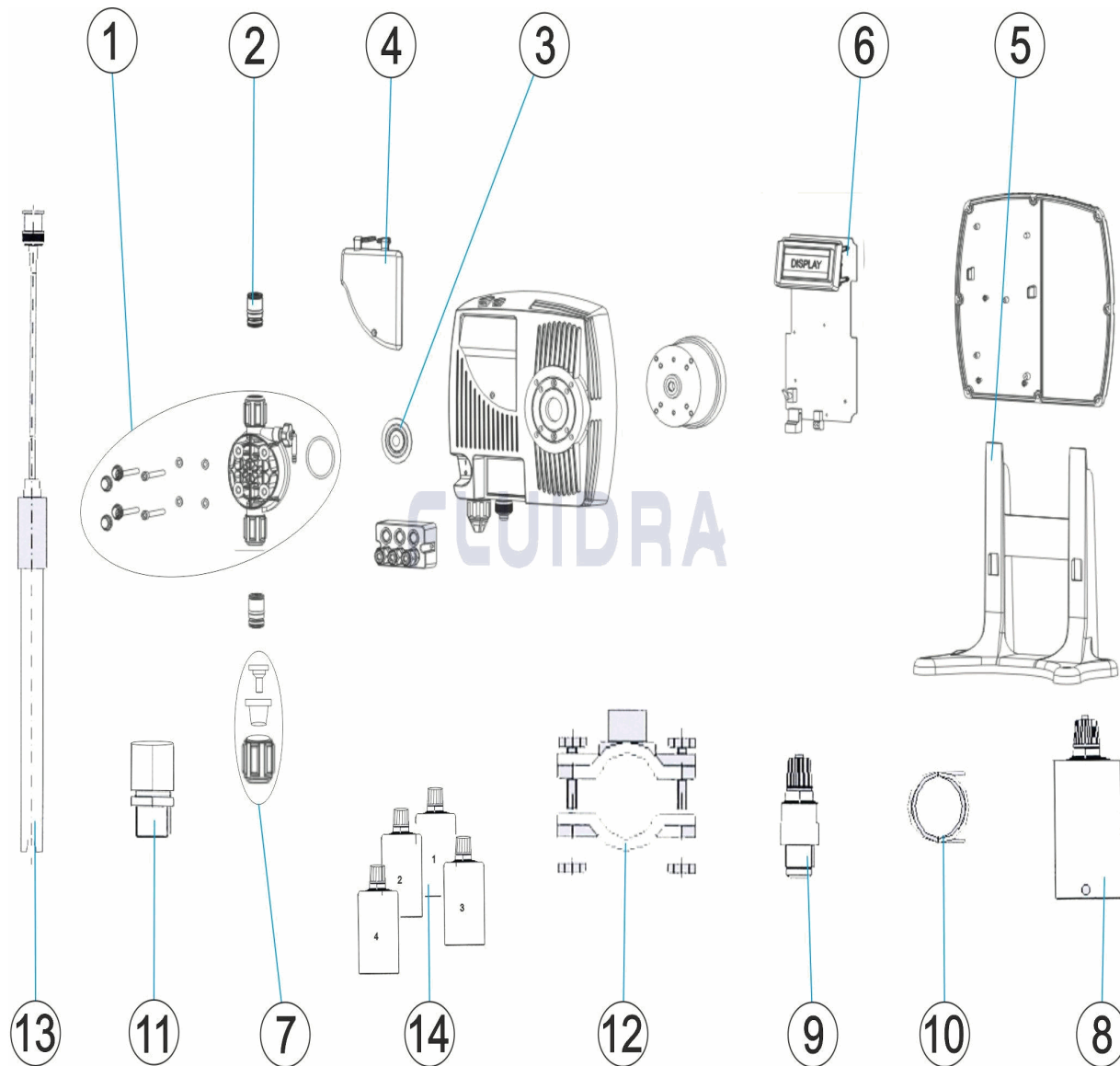


CODIGO **36013**

DESCRIPCION: **BOMBA OPTIMA CON ANALIZADOR DE PH O REDOX**

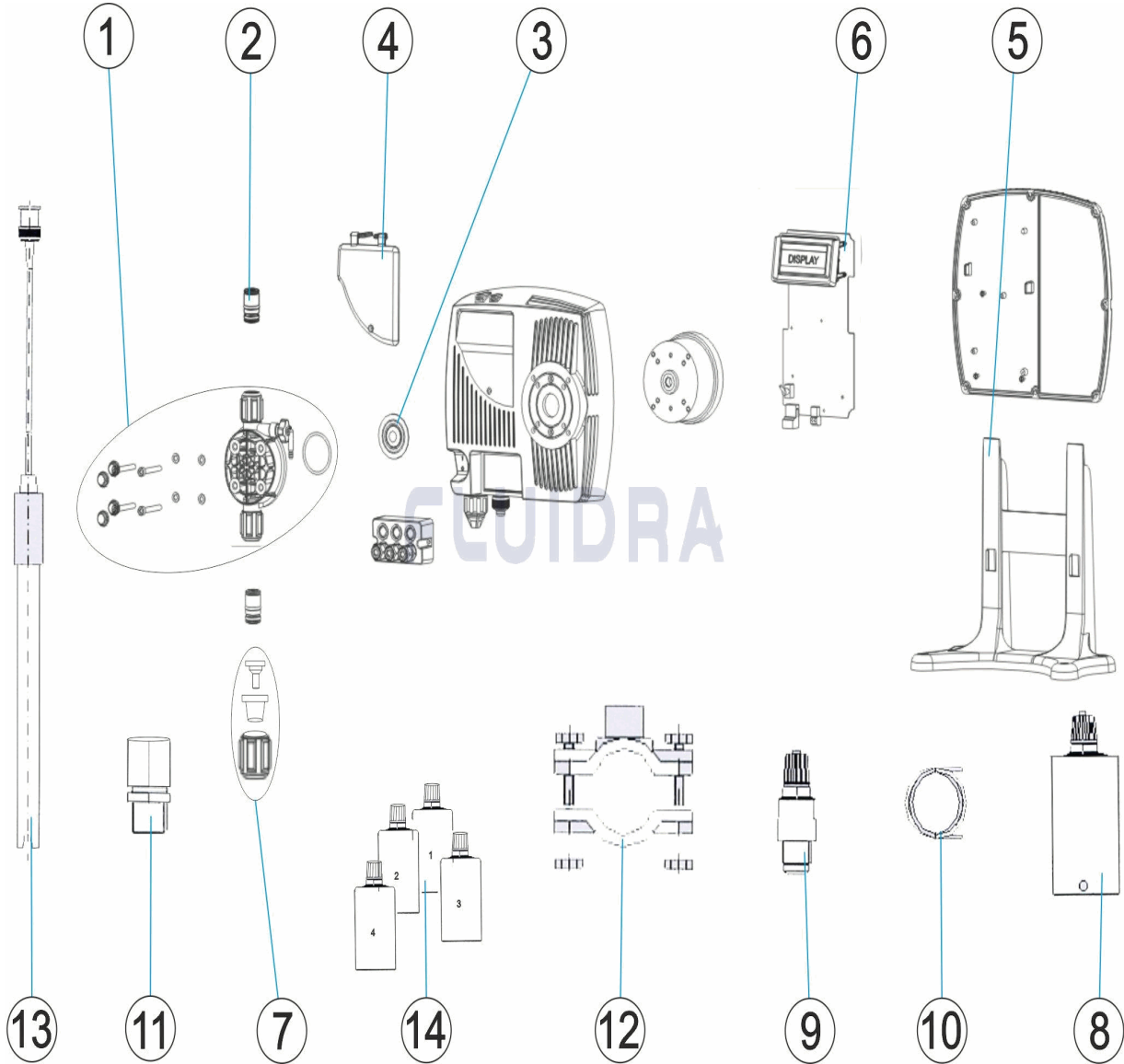


ESPAÑOL

POS	CODIGO	DESCRIPCION	CANTIDAD	POS	CODIGO	DESCRIPCION	CANTIDAD
1	36007R0004	CABEZAL PVDF. FPM. BOLAS CERAMICA 5		10	27883R0007	TUBO ASP. PVC 4X6 LONG.100M	
2	36007R0007	VALVULA PVDF-T/FPM 5-10 L/H.		10	27883R0008	TUBO IMP. PE 4X6 LONG.100M	
3	36007R0009	MEMBRANA 5-10 L/H.		11	27883R0009	PORTASONDAS EN PVC MAXIMA TEM	
4	36007R0010	TAPA		12	05141	COLLARIN DE TOMA 50-1/2"	
4	57140R0005	TECLADO		13	56109R0005	SENSOR PH 0-14	
5	36830	PIE SOPORTE		13	56109R0006	SENSOR ORP	
6	36013R0012	CIRCUITO DIGITAL 10 L/H. PLUS		14	70948	SOLUCION TAMPON PH 7	
7	36007R0021	CONEXION PVC B-C 4/6MM (10 UTS)		14	70947	SOLUCION TAMPON PH 4	
8	36007R0016	FILTRO DE PIE 4/6MM PVC/FPM		14	27883R0012	KIT SOLUCION DE CALIBRACION PH10 70M	
9	36007R0013	RACORD DE INYECCION 4/6MM PVC/FPM		14	70950	SOLUCION TAMPON RX 465MV	

CODE **36013**

DESCRIPTION: **POMPE OPTIMA AVEC ANALYSEUR DE PH OU REDOX**

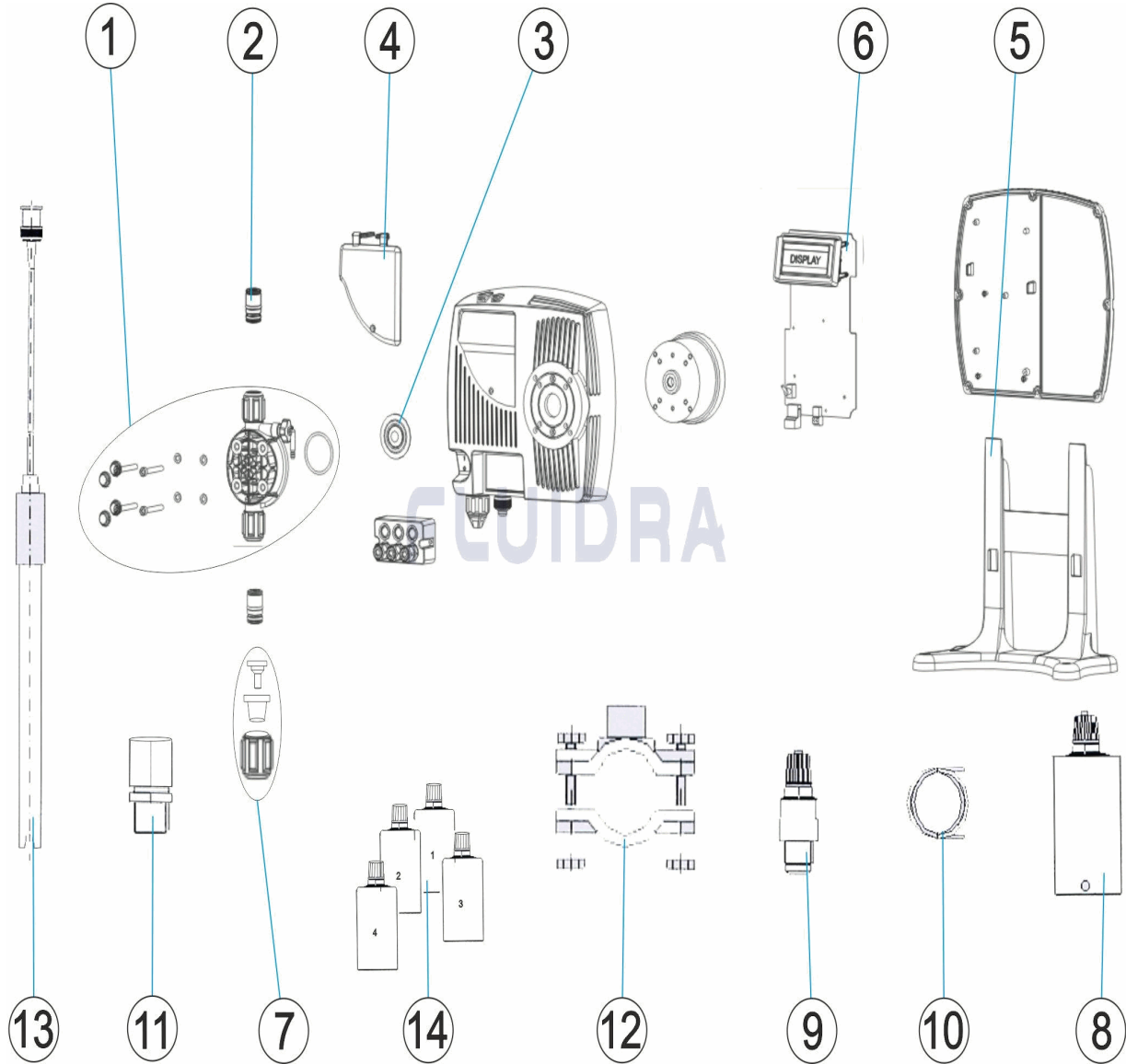


FRANCAIS

POS	CODE	DESCRIPTION	QUANTITE	POS	CODE	DESCRIPTION	QUANTITE
1	36007R0004	TETE PVDF FPM BOISSEAUX CERAMIQUE		10	27883R0007	TUBE ASP. PVC 4X6 L100M	
2	36007R0007	VANNE PVDF-T/FPM 5-10L/H		10	27883R0008	TUBE IMP. PE 4X6 L100M	
3	36007R0009	MEMBRANE 5-10 L/H		11	27883R0009	SUPPORT ELECTRODE	
4	36007R0010	COUVERCLE		12	05141	COLLIER DE PRISE EN CHARGE 50-1/2"	
4	57140R0005	CLAVIER		13	56109R0005	SONDE PH 0-14	
5	36830	PIED SUPPORT		13	56109R0006	SONDE ORP	
6	36013R0012	CIRCUIT DIGITAL 10 L/H PLUS		14	70948	TAMPON PH 7	
7	36007R0021	CONNEXION PVC B-C 4/6MM (10 UTS)		14	70947	TAMPON PH 4	
8	36007R0016	FILTRE PIED 4/6MM PVC/FPM		14	27883R0012	KIT SOLUTION CALIBRAGE PH10 70ML	
9	36007R0013	RACCORD INJECTION 4/6MM PVC/FPM		14	70950	TAMPON RX 465MV	

CODE **36013**

DESCRIPTION: **OPTIMA PUMP WITH PH OR REDOX ANALYZER**

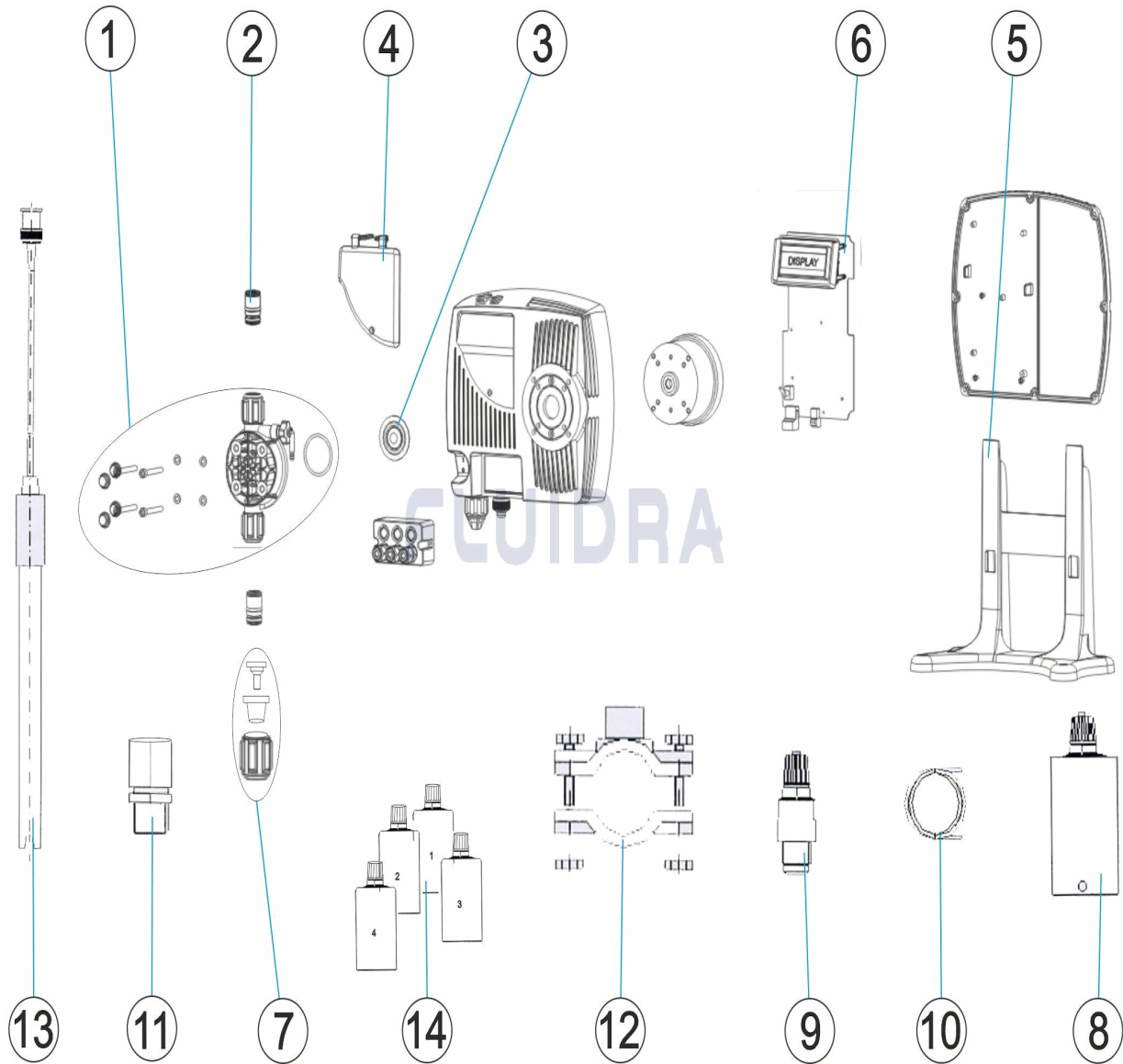


ENGLISH

POS	CODE	DESCRIPTION	QUANTITY	POS	CODE	DESCRIPTION	QUANTITY
1	36007R0004	5-10 L/H CERAMIC BALLS. PVDF HEAD. FP		10	27883R0007	4X6 LENG.100M PVC SUCTION PIPE	
2	36007R0007	5-10 L/H PVDF-T/FPM VALVE		10	27883R0008	4X6 LENG.100M PE RETURN PIPE	
3	36007R0009	5-10 L/H MEMBRANE		11	27883R0009	ELECTRODE HOLDER	
4	36007R0010	COVER		12	05141	50-1/2" SADDL "	
4	57140R0005	KEYPAD		13	56109R0005	PH SENSOR 0-14	
5	36830	SUPPORT FOOT		13	56109R0006	ORP SENSOR	
6	36013R0012	10 L/H DIGITAL CIRCUIT PLUS		14	70948	CALIBRATION SOLUTION PH 7	
7	36007R0021	PVC CONNECTION B-C 4/6MM (10 UTS)		14	70947	CALIBRATION SOLUTION PH 4	
8	36007R0016	PVC/FPM 4/6MM BOTTOM FILTER		14	27883R0012	PH10 70ML CALIBRATION SOLUTION KIT	
9	36007R0013	INJECTION COUPLING 4/6MM PVC/FPM		14	70950	CALIBRATION SOLUTION RX 465MV	

CODICE **36013**

DESCRIZIONE: **POMPA OPTIMA CON ANALIZZATORE DI PH O REDOX**

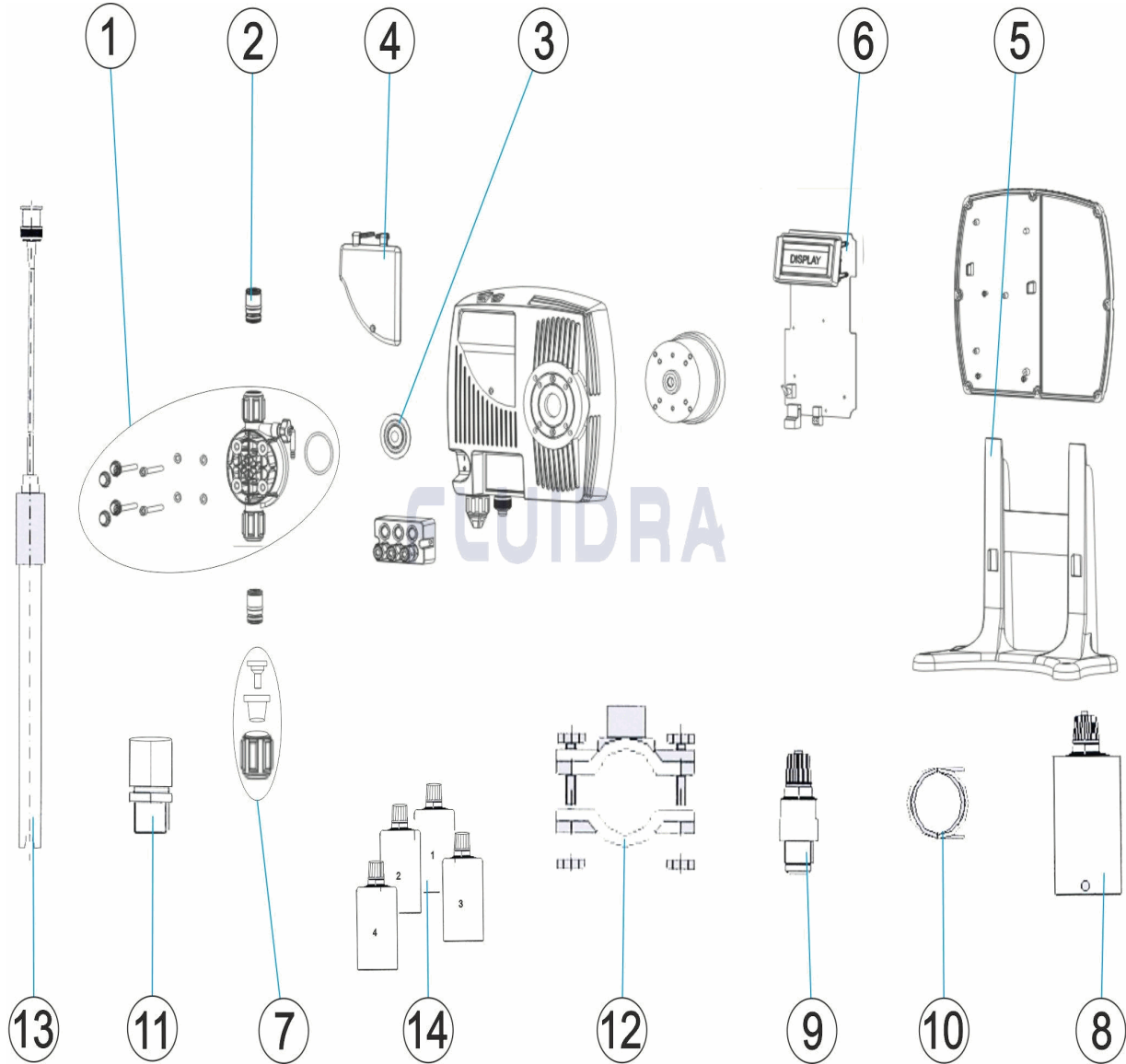


ITALIANO

POS	CODICE	DESCRIZIONE	QUANTITA'	POS	CODICE	DESCRIZIONE	QUANTITA'
1	36007R0004	TESTINA PVDF. FPM. SFERE CERAMICA 5-		10	27883R0007	TUBO ASPIRAZIONE PVC 4X6 L 100M	
2	36007R0007	VALVOLA PVDF-T/FPM 5-10 L/H.		10	27883R0008	TUBO MANDATA PE 4X6 L 100M	
3	36007R0009	MEMBRANA 5-10 L/H.		11	27883R0009	SUPPORTO ELETTRODO	
4	36007R0010	COPERCHIO		12	05141	PRESA STAFFA 50- 1/2"	
4	57140R0005	PULSANTIERA		13	56109R0005	SONDA PH 0-14	
5	36830	PIEDE SUPPORTO		13	56109R0006	SONDA ORP	
6	36013R0012	CIRCUITO DIGITALE 10 L/H. PLUS		14	70948	SOLUZIONE TAMPONE PH 7	
7	36007R0021	COLLEGAMENTO PVC B-C 4/6MM (10 UTS)		14	70947	SOLUZIONE TAMPONE PH 4	
8	36007R0016	FILTRO ASPIRAZIONE 4/6MM PVC/FPM		14	27883R0012	KIT SOLUZIONI DI CALIBRAZIONE PH10 70M	
9	36007R0013	RACCORDO DI INIEZIONE 4/6MM PVC/FPM		14	70950	SOLUZIONE TAMPONE RX 465MV	

CODE **36013**

BESCHREIBUNG: **PUMPE OPTIMA MIT PH- ODER REDOX-ANALYSE**

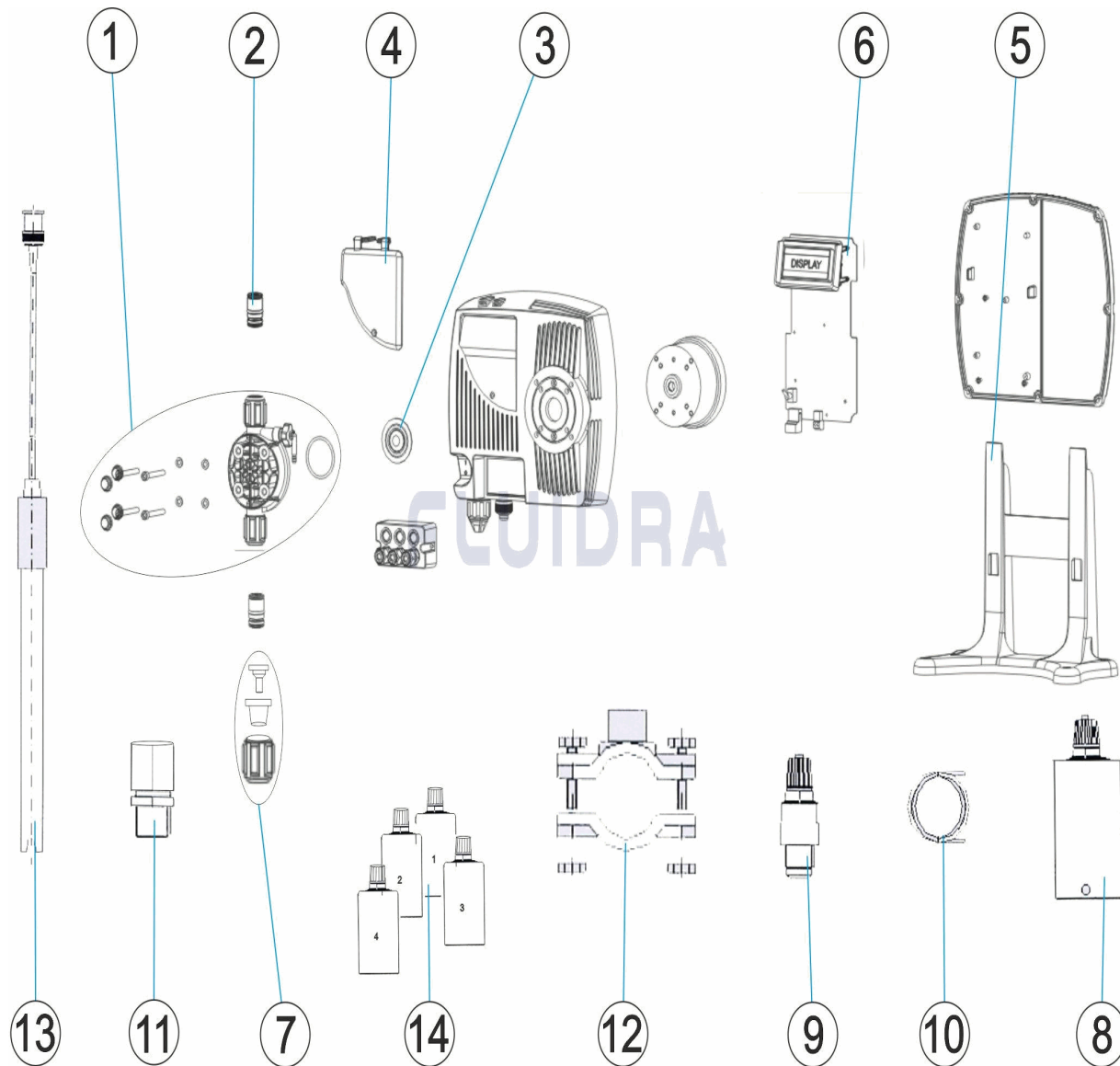


DEUTSCH

POS	CODE	BESCHREIBUNG	MENGE	POS	CODE	BESCHREIBUNG	MENGE
1	36007R0004	KOPFSTÜCK PVDF. FPM. KUGELN KERAM		10	27883R0007	SAUGROHR PVC 4 X 6 L=100M	
2	36007R0007	VENTIL PVDF-T/FPM 5 - 10 L/H		10	27883R0008	ROHR ANTRIEB PE 4 X 6 L=100 M	
3	36007R0009	MEMBRAN 5 - 10 L/H		11	27883R0009	SONDENHALTERUNG AUS PVC MAXIMA TE	
4	36007R0010	ABDECKUNG		12	05141	ANSCHLUSSSCHELLE 50 - 1/2"	
4	57140R0005	TASTENFELD		13	56109R0005	PH-MESSER 0-14	
5	36830	STÜTZFUSS		13	56109R0006	ORP-MESSER	
6	36013R0012	SCHALTKREIS DIGITAL 10 L/H PLUS		14	70948	PUFFERLÖSUNG PH 7	
7	36007R0021	ANSCHLUSS PVC B-C 4/6MM (10 UTS)		14	70947	PUFFERLÖSUNG PH 4	
8	36007R0016	STANDFILTER 4/6MM PVC/FPM		14	27883R0012	KIT KALIBRIERLÖSUNGEN PH10 70ML	
9	36007R0013	INJEKTOR-GEWINDESTÜCK 4/6MM PVC/FF		14	70950	PUFFERLÖSUNG RX 465MV	

CODIGO **36013**

DESCRIÇÃO: **BOMBA OPTIMA COM ANALISADOR DE PH OU REDOX**



PORTUGUES

POS	CODIGO	DESCRIÇÃO	JANTIDADE	POS	CODIGO	DESCRIÇÃO	JANTIDADE
1	36007R0004	CABEÇAL PVDF FPM BOLAS CERAMICA 5-		10	27883R0007	TUBO ASP.PVC 4X6 COMP.100 M	
2	36007R0007	VALVULA PVDF-T/FPM 5-10 L/H.		10	27883R0008	TUBO IMP. PE 4X6 COMP.100 M	
3	36007R0009	MEMBRANA 5-10 L/H.		11	27883R0009	SUPORTE ELECTRODO	
4	36007R0010	TAMPA		12	05141	UNIÃO DE TOMADA 50-1/2"	
4	57140R0005	TECLADO		13	56109R0005	SONDA PH 0-14	
5	36830	SUPORTE DA BASE		13	56109R0006	SONDA ORP	
6	36013R0012	CIRCUITO DIGITAL 10 L/H. PLUS		14	70948	SOLUÇÃO TAMPÃO PH 7	
7	36007R0021	LIGAÇÃO PVC B-C 4/6MM (10 UTS)		14	70947	SOLUÇÃO TAMPÃO PH 4	
8	36007R0016	FILTRO DE PE 4/6MM PVC/FPM		14	27883R0012	KIT DE SOLUÇÕES DE CALIBRAÇÃO PH10	
9	36007R0013	LIGAÇÃO DE INJEÇÃO 4/6MM PVC/FPM		14	70950	SOLUÇÃO TAMPÃO RX 465MV	