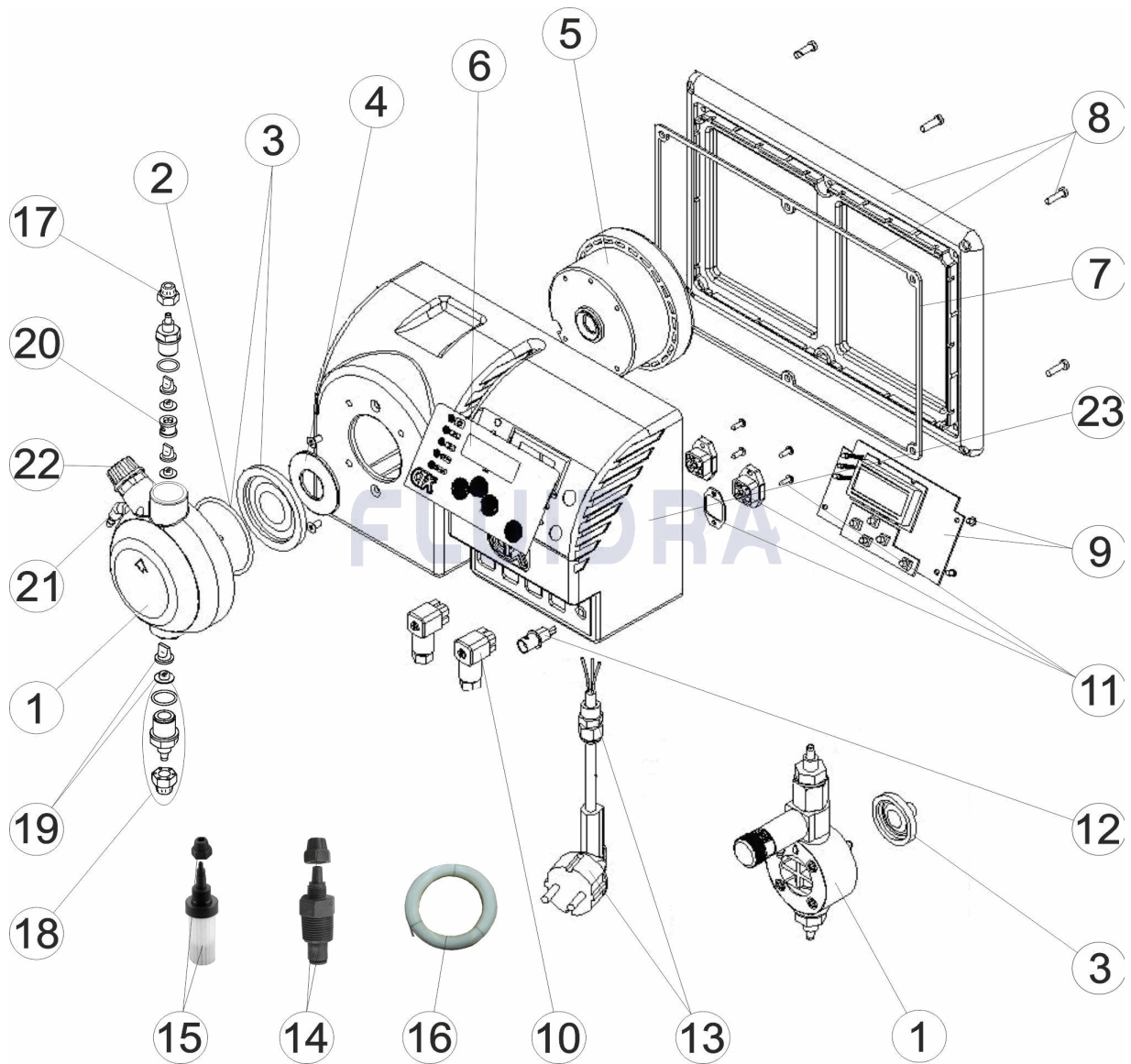


CODIGO 46771, 46772, 46773, 46774

DESCRIPCION: BOMBA DOSIFICADORA PH-RX 2010


**ESPAÑOL**

POS	CODIGO	DESCRIPCION	CANTIDAD	POS	CODIGO	DESCRIPCION	CANTIDAD
1	*CE08030908	CABEZAL COMPLETO 1 L.		8	CE08033109	TAPA TRASERA BOMBA	
1	*CE08031205	CABEZAL COMPLETO		9	CE08032602	CIRCUITO ELECTRONICO PH/RX. 230/240V.	
1	*CE08030409	CABEZAL COMPLETO 20L. 5KG.		10	CE08031729	CONECTOR DE NIVEL	
2	*CE08030912	JUNTA TORICA CABEZAL 1 L.		11	CE08031405	CONECTOR MACHO	
2	*CE08030111	JUNTA TORICA CABEZAL		12	CE08031422	CONECTOR HEMBRA BCN.	
2	*CE08030413	JUNTA TORICA CABEZAL 20L 5KG		13	CE08033110	CABLE ALIMENTACION	
3	*CE08030923	MEMBRANA COMPLETA 01283		14	CE08030121	VALVULA INYECCION COMPLETA	
3	*CE08030119	MEMBRANA COMPLETA		15	CE08030123	FILTRO ASPIRACION COMPLETO	
3	*CE08030429	MEMBRANA COMPLETA 20L 5KG		16	CE08030122	TUBO ASPIRACION/IMPULSION	
4	CE08031119	ARANDELA PISTON 2L 5KG - 2L 10KG - 5L 1		17	CE08030126	TUERCA SUJECCION TUBO	
5	*CE08030920	ELECTROIMAN 1 L.		18	CE08030112	CUERPO RACORD + DUTRAL	
5	*CE08030118	ELECTROIMAN COMPLETO 5L 7KG		18	CE08030113	CUERPO RACORD + VITON	
5	*CE08033105	ELECTROIMAN 10 - 20 L.		18	CE08030114	CUERPO RACORD + SILICONA	

\* NOTA OBSERVACIONES

CODIGO **46771, 46772, 46773, 46774**DESCRIPCION: **BOMBA DOSIFICADORA PH-RX 2010**

6	CE08033107	PANEL TACTIL PH/RX	19	CE08030116	VALVULA VITON + SOPORTE
7	CE08033108	JUNTA TAPA	19	CE08030117	VALVULA SILICONA + SOPORTE
19	CE08030115	VALVULA DUTRAL + SOPORTE	22	CE08032308	TAPON PURGA CABEZAL CP STD
20	CE08033111	DISTANCIADOR PURGA AIRE	23	46771R0002	CAJA BOMBA
21	CE08031203	RACOR PURGA CABEZAL			

CODIGO **46771, 46772, 46773, 46774**

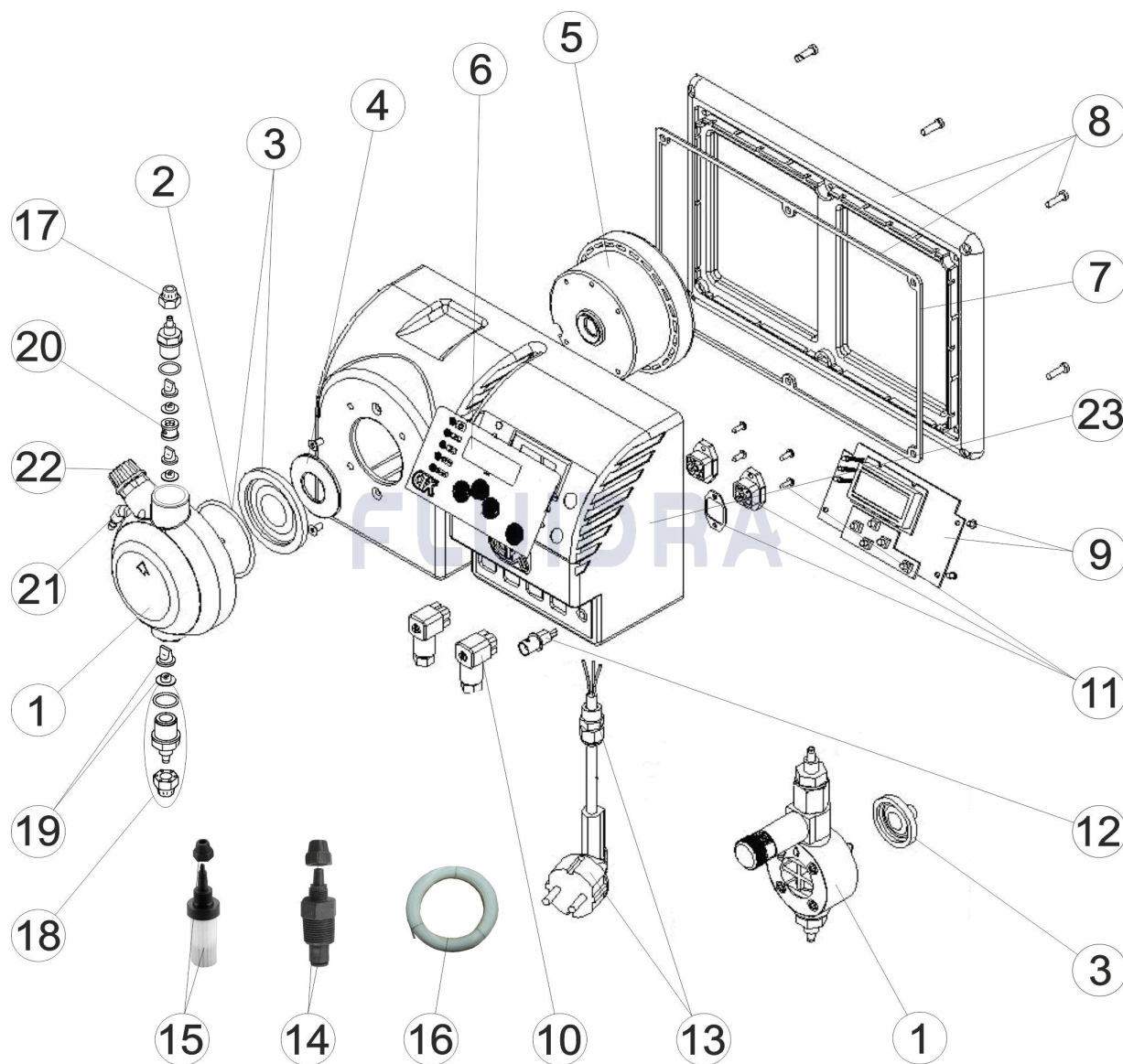
DESCRIPCION: **BOMBA DOSIFICADORA PH-RX 2010**

## OBSERVACIONES

POS	CODIGO	OBSERVACIONES
1	*CE08030908	PARA: 46771
1	*CE08031205	PARA: 46772, 46773
1	*CE08030409	PARA: 46774
2	*CE08030912	PARA: 46771
2	*CE08030111	PARA: 46772, 46773
2	*CE08030413	PARA: 46774
3	*CE08030923	PARA: 46771
3	*CE08030119	PARA: 46772, 46773
3	*CE08030429	PARA: 46774
5	*CE08030920	PARA: 46771
5	*CE08030118	PARA: 46772
5	*CE08033105	PARA: 46773, 46774

CODE 46771, 46772, 46773, 46774

DESCRIPTION: POMPE DOSEUSE PH-RX 2010



### FRANCAIS

POS	CODE	DESCRIPTION	QUANTITE	POS	CODE	DESCRIPTION	QUANTITE
1	*CE08030908	TETE COMPLET 1 L.		8	CE08033109	COUVERCLE POMPE	
1	*CE08031205	TETE COMPLET		9	CE08032602	CIRCUIT ELECTRONIQUE PH/RX. 2009	
1	*CE08030409	TETE COMPLET 20L. 5KG.		10	CE08031729	CONECTEUR DE NIVEAU	
2	*CE08030912	JOINT TORIQUE TETE 1 L.		11	CE08031405	CONNECTEUR MÂLE	
2	*CE08030111	JOINT TORIQUE TETE		12	CE08031422	CONECTEUR	
2	*CE08030413	JOINT TORIQUE TETE 20L 5KG		13	CE08033110	CABLE ALIMENTATION	
3	*CE08030923	MEMBRANE COMPLETE 01283		14	CE08030121	VANNE INJECTION COMPLETE	
3	*CE08030119	MEMBRANE COMPLETE		15	CE08030123	FILTRE ASPIRATION COMPLETE	
3	*CE08030429	MEMBRANE COMPLETE 20L 5KG		16	CE08030122	TUBE ASPIRATION/IMPULSION	
4	CE08031119	RONDELLE PISTON 2L 5KG - 2L 10KG - 5L		17	CE08030126	ECROU DE TUBE D'ASPIRATION	
5	*CE08030920	ELECTROAIMANT 1 L.		18	CE08030112	CORPS RACCORD + CLAPET DUTRAL	
5	*CE08030118	ELECTROAIMANT COMPLETO 5L 7KG		18	CE08030113	CORPS RACCORD + CLAPET VITON	
5	*CE08033105	ELECTROAIMANT 10 - 20 L.		18	CE08030114	CORPS RACCORD + CLAPET SILICONE	

CODE **46771, 46772, 46773, 46774**DESCRIPTION: **POMPE DOSEUSE PH-RX 2010**

6	CE08033107	TABLEAU DE CONTROLE TACTILE PH/RX	19	CE08030116	CLAPET VITON + SUPPORT
7	CE08033108	JOINT DE COUVERCLE	19	CE08030117	CLAPET SILICONA + SUPPORT
19	CE08030115	CLAPET DUTRAL + SUPPORT	22	CE08032308	BOUCHON PURGE
20	CE08033111	DISTANCIALE DE PURGE	23	46771R0002	BOITIER DE POMPE
21	CE08031203	RACCOR PURGE			

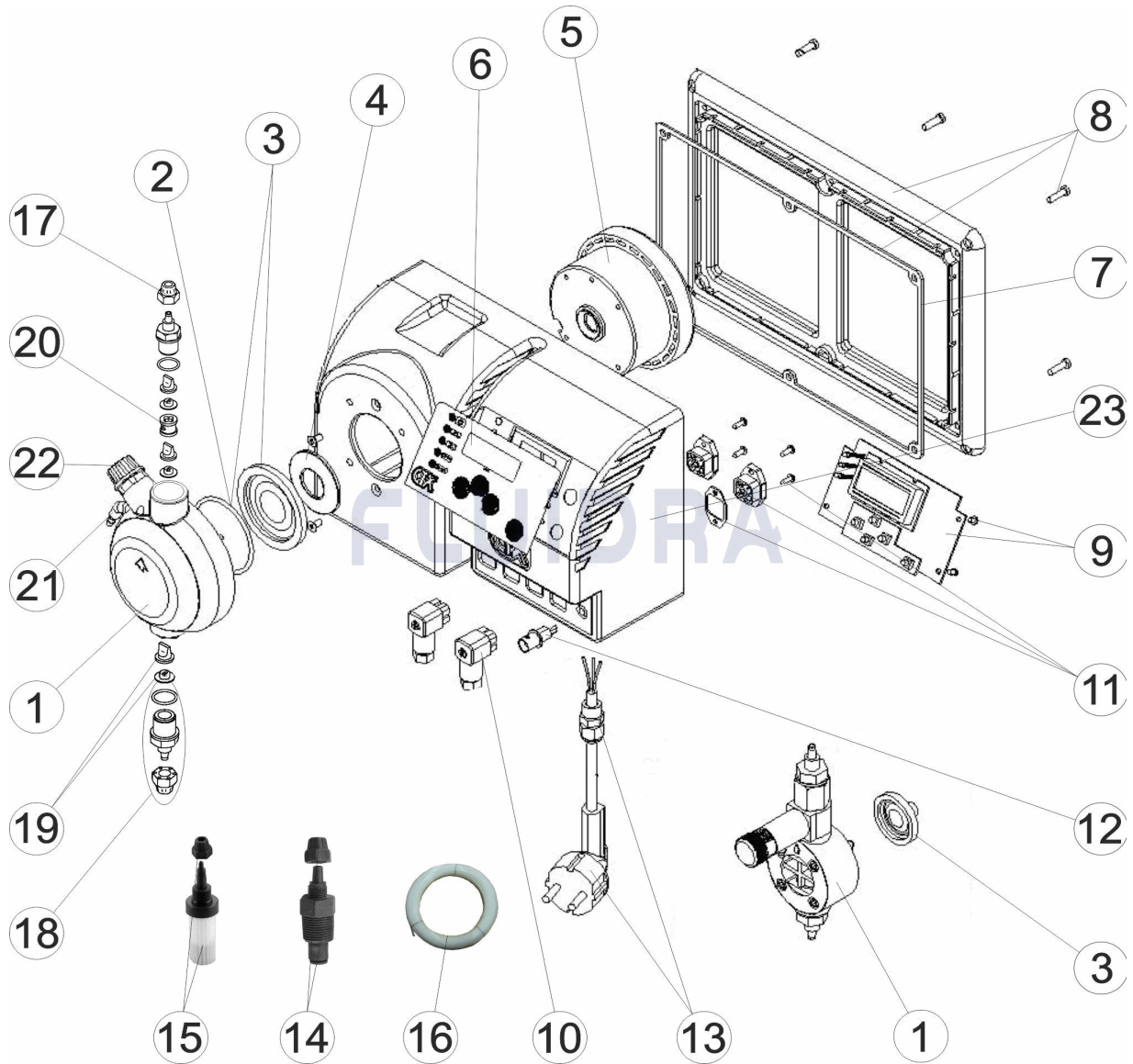
CODE **46771, 46772, 46773, 46774**DESCRIPTION: **POMPE DOSEUSE PH-RX 2010**

## OBSERVATIONS

POS	CODE	OBSERVATIONS
1	*CE08030908	POUR: 46771
1	*CE08031205	POUR: 46772, 46773
1	*CE08030409	POUR: 46774
2	*CE08030912	POUR: 46771
2	*CE08030111	POUR: 46772, 46773
2	*CE08030413	POUR: 46774
3	*CE08030923	POUR: 46771
3	*CE08030119	POUR: 46772, 46773
3	*CE08030429	POUR: 46774
5	*CE08030920	POUR: 46771
5	*CE08030118	POUR: 46772
5	*CE08033105	POUR: 46773, 46774

CODE 46771, 46772, 46773, 46774

DESCRIPTION: DOSING PUMP PH - RX 2010



**ENGLISH**

POS	CODE	DESCRIPTION	QUANTITY	POS	CODE	DESCRIPTION	QUANTITY
1	* CE08030908	COMPLETE HEAD ASSEMBLY 1 L.		8	CE08033109	PUMP REAR COVER	
1	* CE08031205	COMPLETE HEAD ASSEMBLY		9	CE08032602	ELECTRONIC CIRCUIT PH/RX 2009	
1	* CE08030409	COMPLETE HEAD ASSEMBLY 20L. 5KG.		10	CE08031729	FEMALE CONNECTOR BCN	
2	* CE08030912	HEAD O RING 1 L.		11	CE08031405	MALE CONNECTOR	
2	* CE08030111	HEAD O RING		12	CE08031422	CONNECTOR	
2	* CE08030413	HEAD O RING 20L 5KG		13	CE08033110	SUPPLY CABLE	
3	* CE08030923	DIAPHRAM ASSEMBLY 01283		14	CE08030121	INJECTOR VALVE ASSEMBLY	
3	* CE08030119	DIAPHRAM COMPLETE		15	CE08030123	FILTER ASSEMBLY	
3	* CE08030429	DIAPHRAM COMPLETE 20L 5KG		16	CE08030122	SUCTION/RETURN TUBE	
4	CE08031119	PISTON WASHER 2L 5KG - 2L 10KG - 5L 10l		17	CE08030126	SUCTION TUBE NUT	
5	* CE08030920	ELECTROMAGNET 1 L.		18	CE08030112	HEAD CONNECTOR BODY + DUTRAL	
5	* CE08030118	ELECTROMAGNET ASSEMBLY COMPLETE		18	CE08030113	HEAD CONNECTOR BODY + VITON	
5	* CE08033105	ELECTROMAGNET 10 - 20 L.		18	CE08030114	HEAD CONNECTOR BODY + SILICON	



# PARTS BREAKDOWN

REV.: 3

5056

DATE: 20/09/2023

SHEET: 2/3

CODE **46771, 46772, 46773, 46774**DESCRIPTION: **DOSING PUMP PH - RX 2010**

6	CE08033107	TOUCH SCREEN PANEL PH/RX	19	CE08030116	VITON VALVE + SUPPORT
7	CE08033108	LID GASKET	19	CE08030117	SILICON VALVE + SUPPORT
19	CE08030115	DUTRAL VALVE + SUPPORT	22	CE08032308	DRAIN PLUG
20	CE08033111	DISTANCIALE FOR BLEEDING	23	46771R0002	PUMP BOX
21	CE08031203	PURGE FITTING			



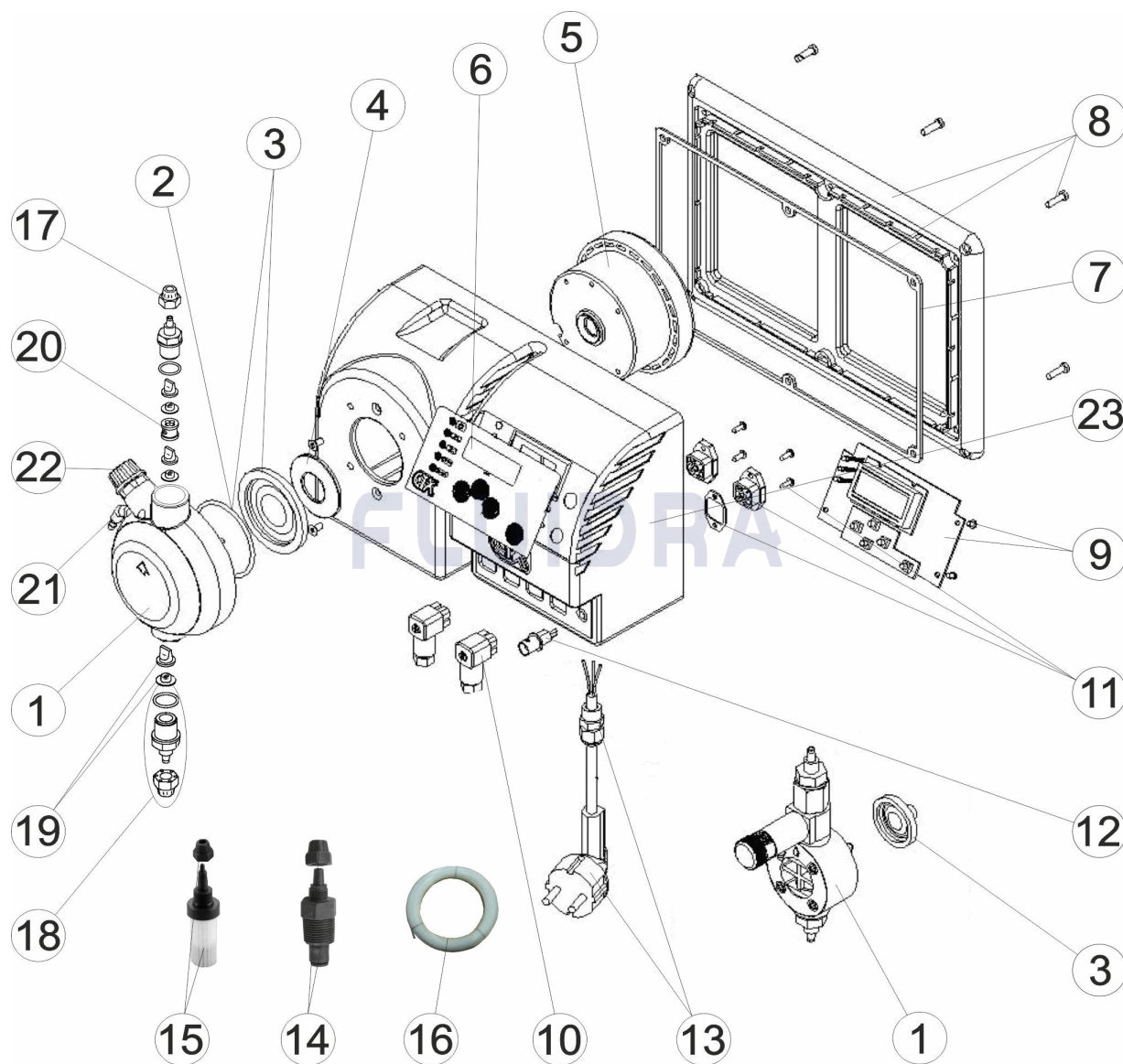
CODE **46771, 46772, 46773, 46774**DESCRIPTION: **DOSING PUMP PH - RX 2010**

## OBSERVATIONS

POS	CODE	OBSERVATIONS
1	*CE08030908	FOR: 46771
1	*CE08031205	FOR: 46772, 46773
1	*CE08030409	FOR: 46774
2	*CE08030912	FOR: 46771
2	*CE08030111	FOR: 46772, 46773
2	*CE08030413	FOR: 46774
3	*CE08030923	FOR: 46771
3	*CE08030119	FOR: 46772, 46773
3	*CE08030429	FOR: 46774
5	*CE08030920	FOR: 46771
5	*CE08030118	FOR: 46772
5	*CE08033105	FOR: 46773, 46774

CODICE 46771, 46772, 46773, 46774

DESCRIZIONE: POMPA DOSIFICATRICE PH-RX 2010


**ITALIANO**

POS	CODICE	DESCRIZIONE	QUANTITA'	POS	CODICE	DESCRIZIONE	QUANTITA'
1	*CE08030908	TESTA COMPLETA 1 L.		8	CE08033109	COPRIVENTOLA POMPA	
1	*CE08031205	TESTA COMPLETA		9	CE08032602	CIRCUITO ELETTRONICO PH/RX. 2009	
1	*CE08030409	TESTA COMPLETA 20L. 5KG.		10	CE08031729	CONNETTORE DI LIVELLO	
2	*CE08030912	O-RING TESTA 1 L.		11	CE08031405	CONNETTORE MASCHIO	
2	*CE08030111	O-RING PER TESTA		12	CE08031422	CONNECTOR	
2	*CE08030413	O-RING TESTA 20L 5KG		13	CE08033110	CAVO DI ALIMENTAZIONE	
3	*CE08030923	MEMBRANA COMPLETA 01283		14	CE08030121	VALVOLA INIEZIONE COMPLETA	
3	*CE08030119	MEMBRANA COMPLETA		15	CE08030123	FILTRO ASPIRAZIONE COMPLETO	
3	*CE08030429	MEMBRANA COMPLETA 20L 5KG		16	CE08030122	TUBO DI ASPIRAZIONE/ MANDATA	
4	CE08031119	RONDELLA PISTONE 2L 5KG - 2L 10KG - 5L		17	CE08030126	GHIERA FISSAGGIO TUBO	
5	*CE08030920	ELETTROCALAMITA 1 L.		18	CE08030112	CORPO RACCORDO + VALVOLA IN DUTRAL	
5	*CE08030118	ELETTROCALAMITA COMPLETA 5L 7KG		18	CE08030113	CORPO RACCORDO + VALVOLA IN VITON	
5	*CE08033105	ELETTROCALAMITA 10 - 20 L.		18	CE08030114	CORPO RACCORDO + VALVOLA IN SILICON	

\* SI FACCIA RIFERIMENTO AL FOGLIO DELLE OSSERVAZIONI

CODICE **46771, 46772, 46773, 46774**DESCRIZIONE: **POMPA DOSIFICATRICE PH-RX 2010**

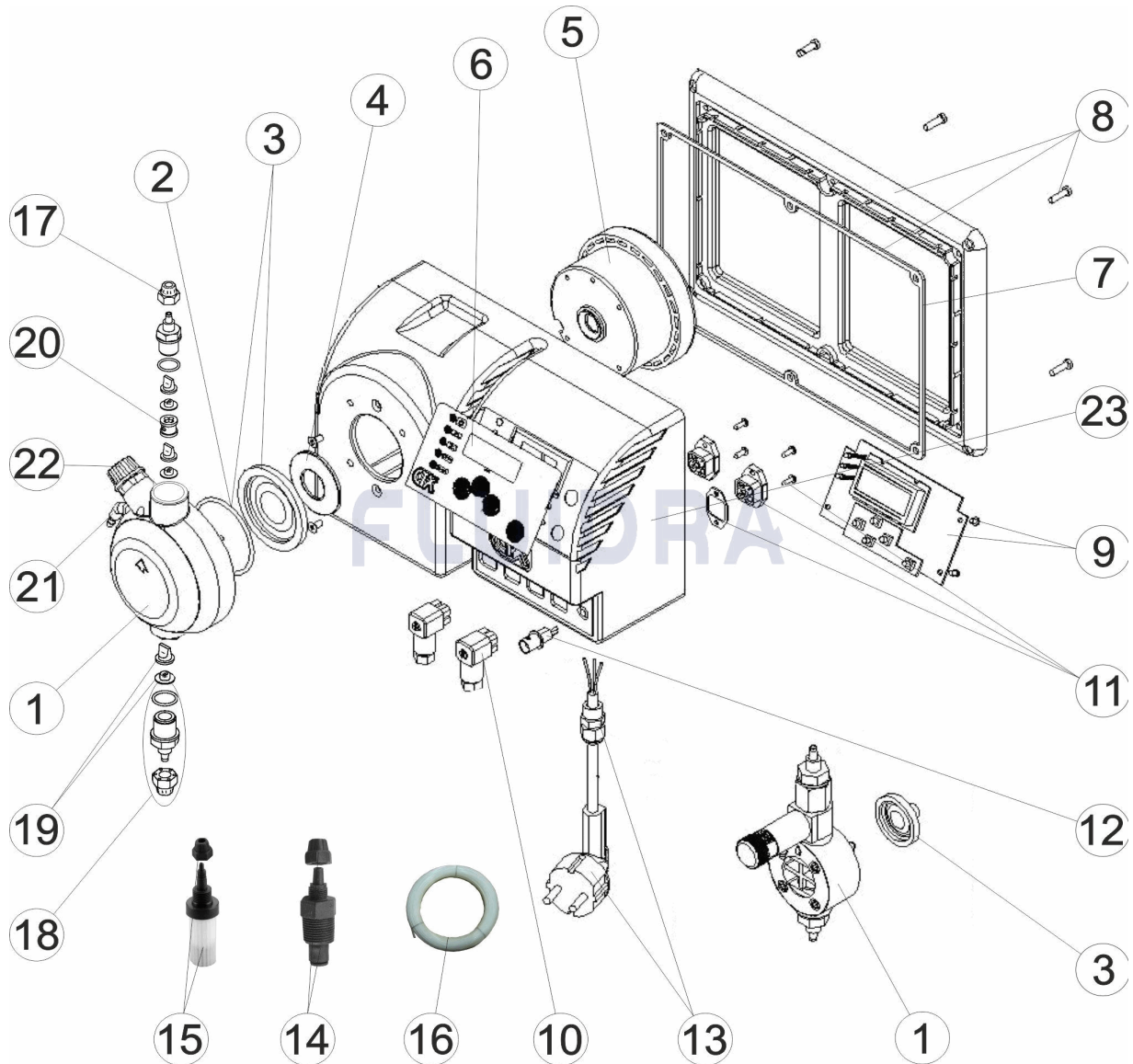
6	CE08033107	PANNELLO DIGITALE PH/RX	19	CE08030116	VALVOLA + SUPPORTO
7	CE08033108	GUARNIZIONE COPERCHIO	19	CE08030117	VALVOLA SILICONE + SUPPORTO
19	CE08030115	VALVOLA DUTRAL + SUPPORTO	22	CE08032308	TAPPO SPURGO
20	CE08033111	DISTANCIALE PER SPURGO	23	46771R0002	CARCASSA POMPA
21	CE08031203	RACORDO SCARIO			

CODICE **46771, 46772, 46773, 46774**DESCRIZIONE: **POMPA DOSIFICATRICE PH-RX 2010**

## OSSERVAZIONI

POS	CODICE	OSSERVAZIONI
1	*CE08030908	PER: 46771
1	*CE08031205	PER: 46772, 46773
1	*CE08030409	PER: 46774
2	*CE08030912	PER: 46771
2	*CE08030111	PER: 46772, 46773
2	*CE08030413	PER: 46774
3	*CE08030923	PER: 46771
3	*CE08030119	PER: 46772, 46773
3	*CE08030429	PER: 46774
5	*CE08030920	PER: 46771
5	*CE08030118	PER: 46772
5	*CE08033105	PER: 46773, 46774

CODE **46771, 46772, 46773, 46774**

 BESCHREIBUNG: **DOSIERPUMPE PH-RX 2010**

**DEUTSCH**

POS	CODE	BESCHREIBUNG	MENGE	POS	CODE	BESCHREIBUNG	MENGE
1	* CE08030908	KOPFSTÜCK KOMPLETT 1 L		8	CE08033109	ABDECKUNG HINTEN PUMPE	
1	* CE08031205	KOPFSTÜCK KOMPLETT		9	CE08032602	PLATINE SCHALTKREIS PH/RX. 230/240 V	
1	* CE08030409	KOPFSTÜCK KOMPLETT 20 L 5 KG		10	CE08031729	VERBINDUNGSSTÜCK FÜLLSTAND	
2	* CE08030912	O-RING KOPFSTÜCK 1 L		11	CE08031405	STECKER	
2	* CE08030111	O-RING KOPFSTÜCK		12	CE08031422	ANSCHLUSSMUFFE BCN.	
2	* CE08030413	O-RING KOPFSTÜCK 20 L 5 KG		13	CE08033110	VERSORUNGSKABEL	
3	* CE08030923	KOMPLETTMEMBERAN 01283		14	CE08030121	INJEKTORVENTIL KOMPLETT	
3	* CE08030119	KOMPLETTMEMBERAN		15	CE08030123	SAUGFILTER KOMPLETT	
3	* CE08030429	KOMPLETTMEMBERAN 20 L 5 KG		16	CE08030122	ROHR SAUG/DRUCK	
4	CE08031119	KOLBENSCHIBE 2 L 5 KG - 2 L 10 KG - 5 L		17	CE08030126	MUTTER BEFESTIGUNG ROHR	
5	* CE08030920	ELEKTROMAGNET 1 L		18	CE08030112	VENTILSATZ MIT DUTRAL	
5	* CE08030118	ELEKTROMAGNET KOMPLETT 5 L 7 KG		18	CE08030113	VENTILSATZ MIT VITON	
5	* CE08033105	ELEKTROMAGNET 10 - 20 L		18	CE08030114	VENTILSATZ MIT SILIKON	

\* SIEHE ANMERKUGSBLATT

CODE **46771, 46772, 46773, 46774**BESCHREIBUNG: **DOSIERPUMPE PH-RX 2010**

6	CE08033107	TOUCHSCREEN PH/RX	19	CE08030116	VENTIL VITON MIT HALTERUNG
7	CE08033108	DICHTUNG ABDECKUNG	19	CE08030117	VENTIL SILIKON MIT HALTERUNG
19	CE08030115	VENTIL DUTRAL MIT HALTERUNG	22	CE08032308	ABLASSSTOPFEN KOPFSTÜCK CP STD
20	CE08033111	DISTANZSTÜCK ENTLÜFTUNG	23	46771R0002	PUMPENGEHÄUSE
21	CE08031203	GEWINDE ABLASS KOPFSTÜCK			

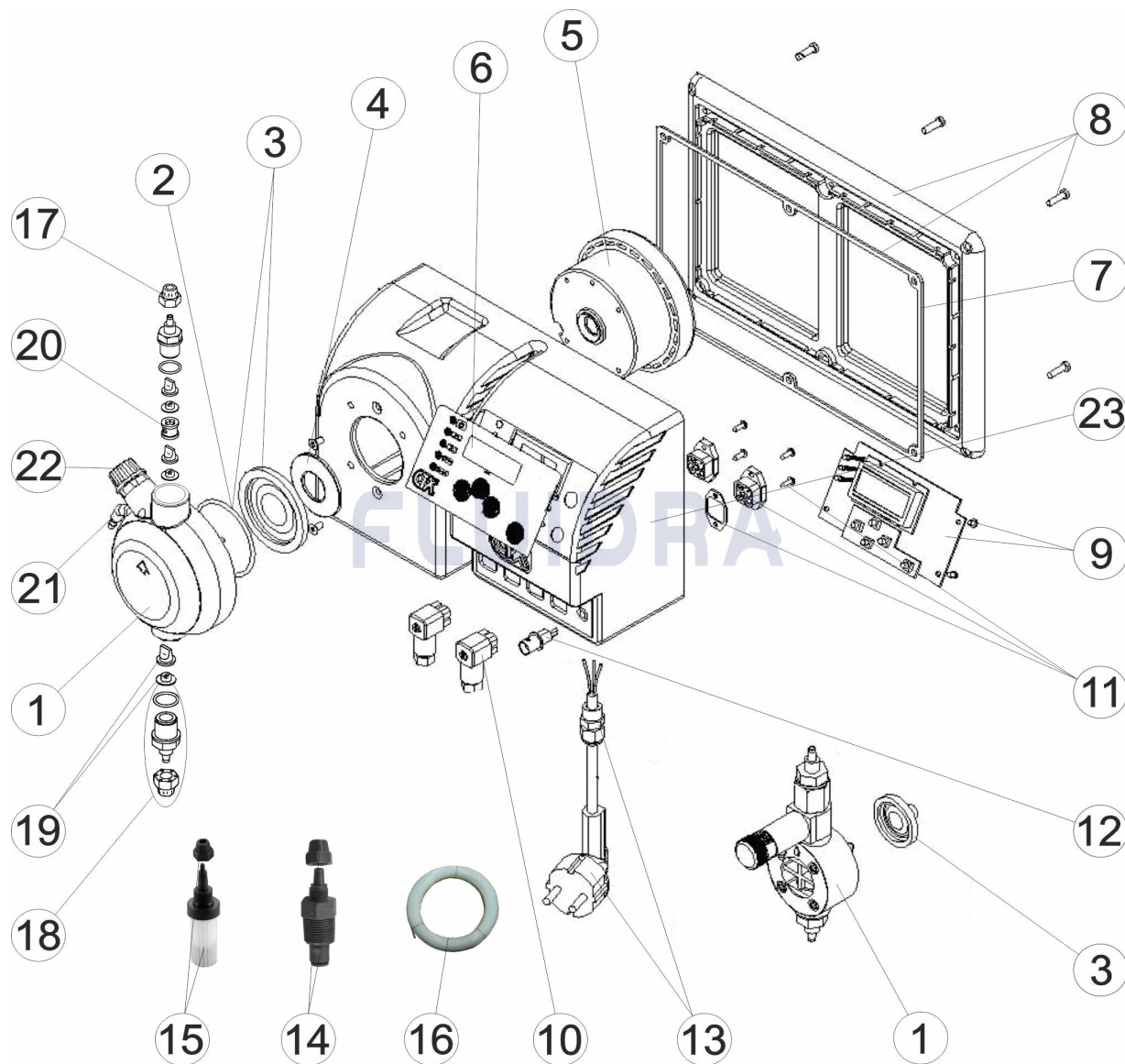
CODE **46771, 46772, 46773, 46774**BESCHREIBUNG: **DOSIERPUMPE PH-RX 2010**

## HINWEISE

POS	CODE	HINWEISE
1	*CE08030908	FÜR: 46771
1	*CE08031205	FÜR: 46772, 46773
1	*CE08030409	FÜR: 46774
2	*CE08030912	FÜR: 46771
2	*CE08030111	FÜR: 46772, 46773
2	*CE08030413	FÜR: 46774
3	*CE08030923	FÜR: 46771
3	*CE08030119	FÜR: 46772, 46773
3	*CE08030429	FÜR: 46774
5	*CE08030920	FÜR: 46771
5	*CE08030118	FÜR: 46772
5	*CE08033105	FÜR: 46773, 46774

CODIGO 46771, 46772, 46773, 46774

DESCRIÇÃO: BOMBA DOSEADORA PH-RX 2010



### PORTUGUES

POS	CODIGO	DESCRIÇÃO	JANTIDADE	POS	CODIGO	DESCRIÇÃO	JANTIDADE
1	*CE08030908	CABEÇAL COMPLETO 1 L.		8	CE08033109	TAMPA TRASEIRA BOMBA	
1	*CE08031205	CABEÇAL COMPLETO		9	CE08032602	CIRCUITO ELECTRONICO PH/RX. 2009	
1	*CE08030409	CABEÇAL COMPLETO 20L. 5KG.		10	CE08031729	LIGAÇÃO NIVEL	
2	*CE08030912	JUNTA TORICA CABEÇAL 1 L.		11	CE08031405	LIGAÇÃO MACHO	
2	*CE08030111	JUNTA TORICA CABEÇAL		12	CE08031422	LIGAÇÃO FÊMEA BCN.	
2	*CE08030413	JUNTA TORICA CABEÇAL 20L 5KG		13	CE08033110	CABO ALIMENTAÇÃO	
3	*CE08030923	MEMBRANA COMPLETA 01283		14	CE08030121	INJECTOR COMPLETO	
3	*CE08030119	MEMBRANA COMPLETA		15	CE08030123	FILTRO ASPIRAÇÃO COMPLETO	
3	*CE08030429	MEMBRANA COMPLETA 20L 5KG		16	CE08030122	TUBO ASPIRAÇÃO/IMPULSAO	
4	CE08031119	ANILHA PISTON 2L 5KG - 2L 10KG - 5L 10K		17	CE08030126	PORCA SUJEIÇÃO TUBO	
5	*CE08030920	ELECTROIMAN 1 L.		18	CE08030112	CORPO RACORD + DUTRAL	
5	*CE08030118	ELECTROIMAN COMPLETO 5L 7KG		18	CE08030113	CORPO RACORD + VITON	
5	*CE08033105	ELECTROIMAN 10 - 20 L.		18	CE08030114	CORPO RACORD + SILICONE	

\* VEJA A FICHA DE OBSERVAÇÕES



CODIGO **46771, 46772, 46773, 46774**DESCRIÇÃO: **BOMBA DOSEADORA PH-RX 2010**

6	CE08033107	PAINEL DIGITAL TÁCTIL PH/RX	19	CE08030116	VÁLVULA VITON + SUPORTE
7	CE08033108	JUNTA TAMPA	19	CE08030117	VÁLVULA SILICONE + SUPORTE
19	CE08030115	VÁLVULA DUTRAL + SUPORTE	22	CE08032308	TAMPÃO PURGA
20	CE08033111	DISTANCIADOR DO PURGE	23	46771R0002	CAIXA BOMBA
21	CE08031203	RACCORD PURGA			

CODIGO **46771, 46772, 46773, 46774**DESCRIÇÃO: **BOMBA DOSEADORA PH-RX 2010****OBSERVAÇÕES**

POS	CODIGO	OBSERVAÇÕES
1	*CE08030908	PARA: 46771
1	*CE08031205	PARA: 46772, 46773
1	*CE08030409	PARA: 46774
2	*CE08030912	PARA: 46771
2	*CE08030111	PARA: 46772, 46773
2	*CE08030413	PARA: 46774
3	*CE08030923	PARA: 46771
3	*CE08030119	PARA: 46772, 46773
3	*CE08030429	PARA: 46774
5	*CE08030920	PARA: 46771
5	*CE08030118	PARA: 46772
5	*CE08033105	PARA: 46773, 46774