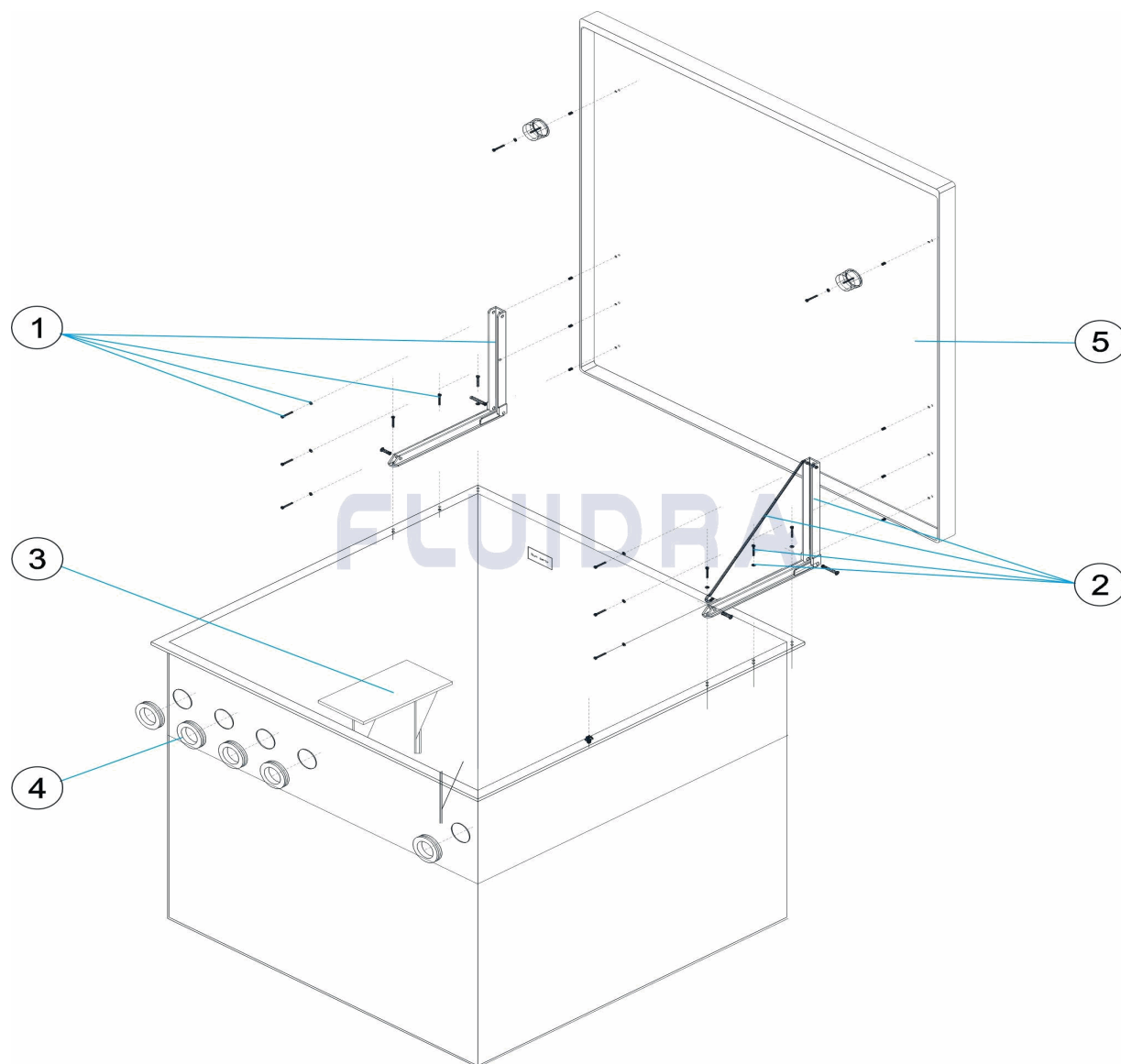


CODIGO            **00615, 00616, 00617, 00618**

DESCRIPCION: **CASETA ENTERRADA**



**ESPAÑOL**

POS	CODIGO	DESCRIPCION	CANTIDAD	POS	CODIGO	DESCRIPCION	CANTIDAD
1	4404310101	BISAGRA SIN VARILLA	5	*	00615R0020	TAPA CASETA 350	
2	4404310102	BISAGRA CON VARILLA	5	*	00616R0020	TAPA CASETA D.500	
3	4404310103	CJTO. FIJACION SOPORTE BOMBA	5	*	00617R0020	TAPA CASETA 650	
4	* 4404250107	PASATUBO D.50	5	*	00618R0020	TAPA CASETA 800	
4	* 4404310104	PASATUBO D. 63					

**CODIGO 00615, 00616, 00617, 00618**

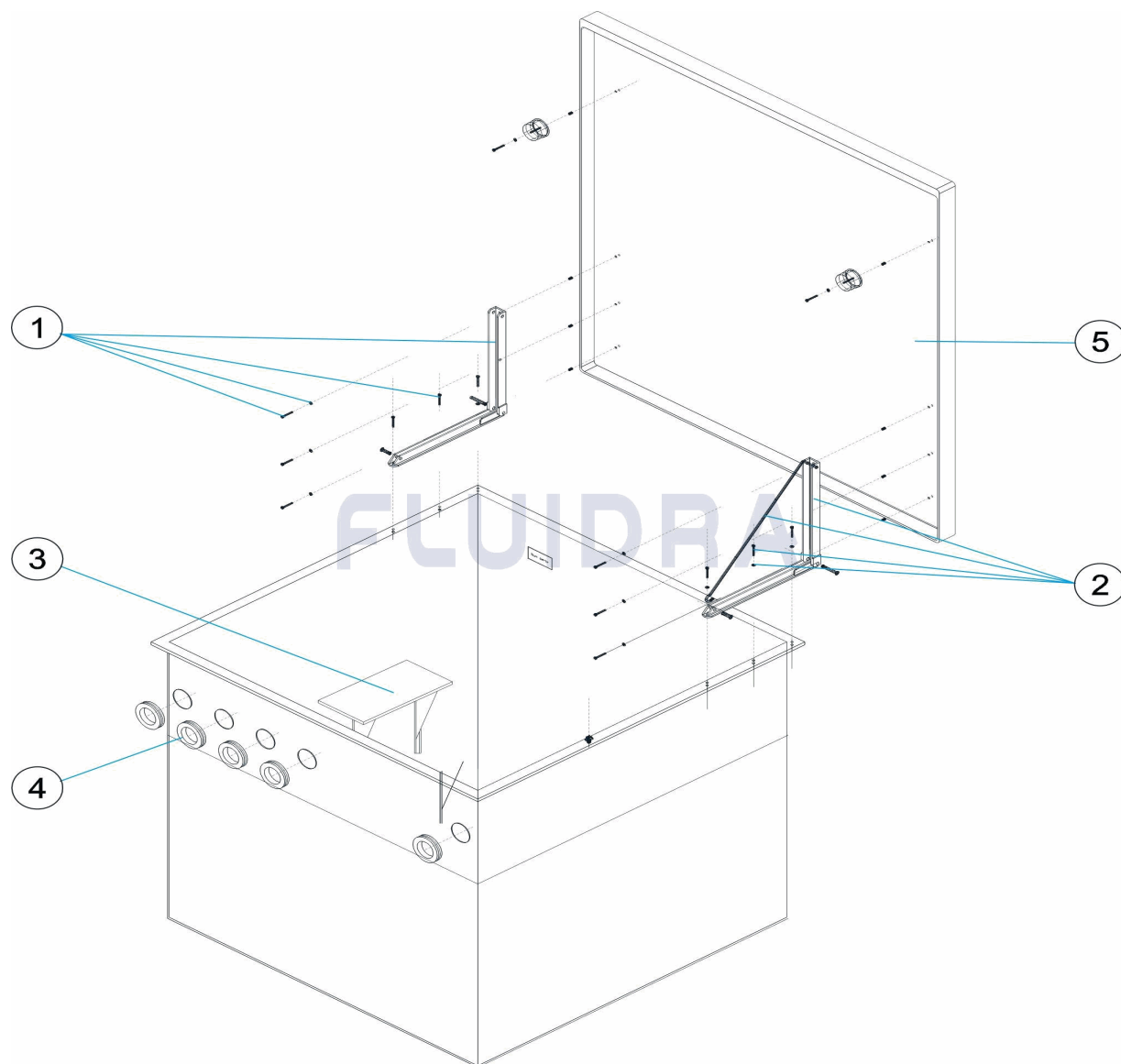
**DESCRIPCION: CASETA ENTERRADA**

## OBSERVACIONES

POS	CODIGO	OBSERVACIONES
4	* 4404250107	PARA: 00615, 00616, 00617
4	* 4404310104	PARA: 00618
5	* 00615R0020	PARA: 00615
5	* 00616R0020	PARA: 00616
5	* 00617R0020	PARA: 00617
5	* 00618R0020	PARA: 00618

CODE 00615, 00616, 00617, 00618

DESCRIPTION: BOÎTIER ENTERRÉ



FRANCAIS

POS	CODE	DESCRIPTION	QUANTITE	POS	CODE	DESCRIPTION	QUANTITE
1	4404310101	CHARNIERE SANS TIGE	5	* 00615R0020	COUVERCLE LOCAL D350		
2	4404310102	CHARNIERE AVEC TIGE	5	* 00616R0020	COUVERCLE LOCAL D500		
3	4404310103	ENS FIXATION SUPPORT POMPE	5	* 00617R0020	COUVERCLE LOCAL D650		
4	* 4404250107	CONDUIT CONNECTOR D.50	5	* 00618R0020	COUVERCLE LOCAL D800		
4	* 4404310104	CONDUIT CONNECTOR D.63					

CODE **00615, 00616, 00617, 00618**

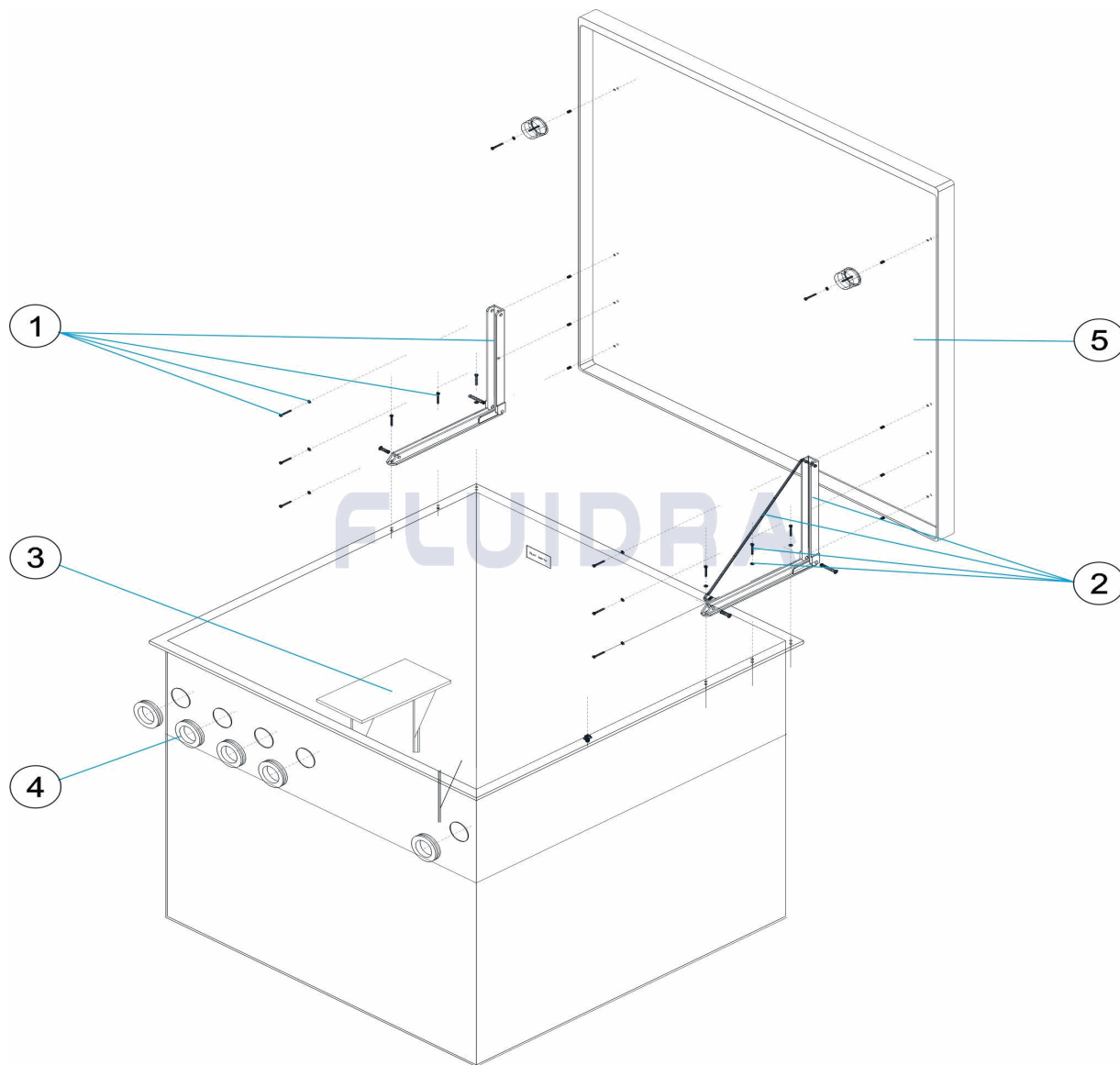
DESCRIPTION: **BOÎTIER ENTERRÉ**

**OBSERVATIONS**

POS	CODE	OBSERVATIONS
4	* 4404250107	POUR: 00615, 00616, 00617
4	* 4404310104	POUR: 00618
5	* 00615R0020	POUR: 00615
5	* 00616R0020	POUR: 00616
5	* 00617R0020	POUR: 00617
5	* 00618R0020	POUR: 00618

CODE **00615, 00616, 00617, 00618**

DESCRIPTION: **CONCEALED FILTER CASING**



**ENGLISH**

POS	CODE	DESCRIPTION	QUANTITY	POS	CODE	DESCRIPTION	QUANTITY
1	4404310101	HINGE WITHOUT PIN		5	* 00615R0020	350 HUT COVER	
2	4404310102	HINGE WITH PIN		5	* 00616R0020	500 HUT COVER	
3	4404310103	PUMP SUPPORT FIXING UNIT		5	* 00617R0020	650 HUT COVER	
4	* 4404250107	GUIDE TUBE D.50		5	* 00618R0020	800 HUT COVER	
4	* 4404310104	GUIDE TUBE D.63					

CODE                    **00615, 00616, 00617, 00618**

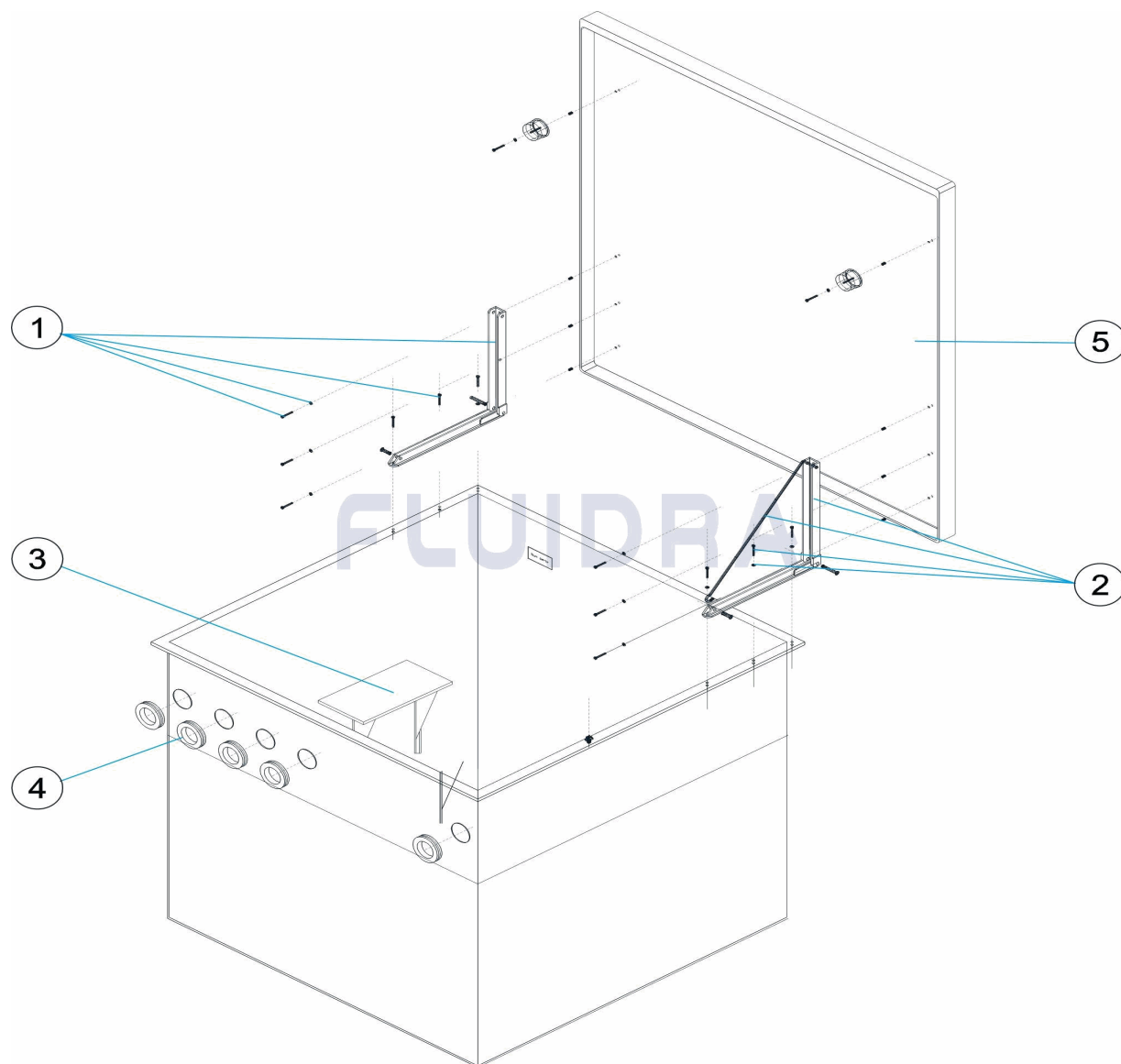
DESCRIPTION: **CONCEALED FILTER CASING**

### OBSERVATIONS

POS	CODE	OBSERVATIONS
4	* 4404250107	FOR: 00615, 00616, 00617
4	* 4404310104	FOR: 00618
5	* 00615R0020	FOR: 00615
5	* 00616R0020	FOR: 00616
5	* 00617R0020	FOR: 00617
5	* 00618R0020	FOR: 00618

CODICE **00615, 00616, 00617, 00618**

DESCRIZIONE: **SPOGKIATOIO INTERRATO**



**ITALIANO**

POS	CODICE	DESCRIZIONE	QUANTITA'	POS	CODICE	DESCRIZIONE	QUANTITA'
1	4404310101	CERNIERA SENZA ASTA		5	* 00615R0020	COPERCHIO INTERRATO FILTRO D. 350	
2	4404310102	CERNIERA CON ASTA		5	* 00616R0020	COPERCHIO INTERRATO FILTRO D. 500	
3	4404310103	KIT SUPPORTO FISSAGGIO POMPA		5	* 00617R0020	COPERCHIO INTERRATO FILTRO D. 650	
4	* 4404250107	GUARNIZIONE SANDWICH D. 50		5	* 00618R0020	COPERCHIO INTERRATO FILTRO D. 800	
4	* 4404310104	GUARNIZIONE SANDWICH D. 63					

**CODICE 00615, 00616, 00617, 00618**

**DESCRIZIONE: SPOGKIATOIO INTERRATO**

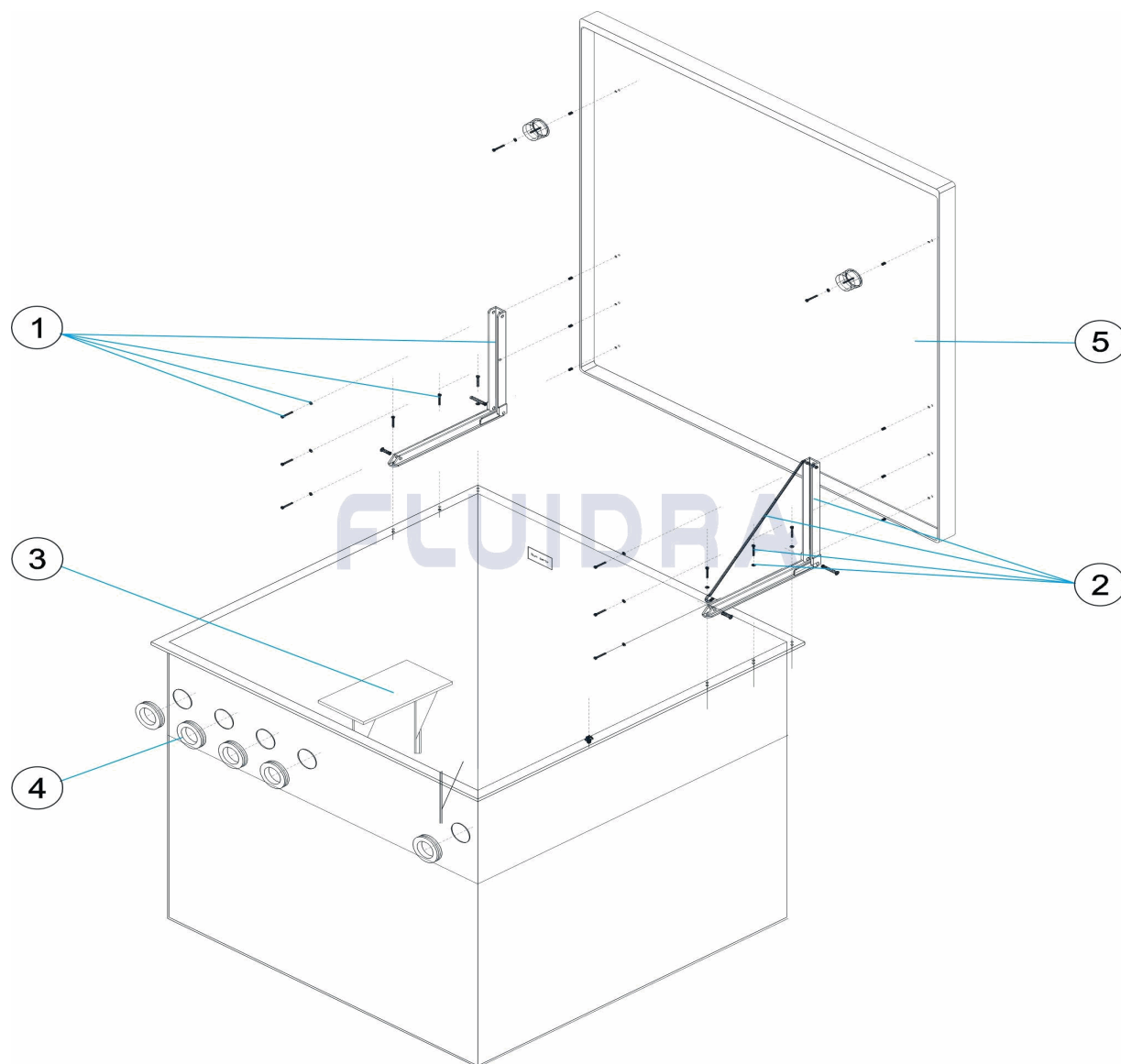
**OSSERVAZIONI**

POS	CODICE	OSSERVAZIONI
4	* 4404250107	PER: 00615, 00616, 00617
4	* 4404310104	PER: 00618
5	* 00615R0020	PER: 00615
5	* 00616R0020	PER: 00616
5	* 00617R0020	PER: 00617
5	* 00618R0020	PER: 00618



CODE **00615, 00616, 00617, 00618**

BESCHREIBUNG: **GEHÄUSE VERDECKT**



**DEUTSCH**

POS	CODE	BESCHREIBUNG	MENGE	POS	CODE	BESCHREIBUNG	MENGE
1	4404310101	SCHARNIER OHNE RUNDEISEN	5	* 00615R0020	ABDECKUNG GEHÄUSE 350		
2	4404310102	SCHARNIER MIT RUNDEISEN	5	* 00616R0020	ABDECKUNG GEHÄUSE D. 500		
3	4404310103	FIXIERSET HALTERUNG PUMPE	5	* 00617R0020	ABDECKUNG GEHÄUSE 650		
4	* 4404250107	ROHRDURCHFÜHRUNG D. 50	5	* 00618R0020	ABDECKUNG GEHÄUSE 800		
4	* 4404310104	ROHRDURCHFÜHRUNG D. 63					

CODE                    **00615, 00616, 00617, 00618**

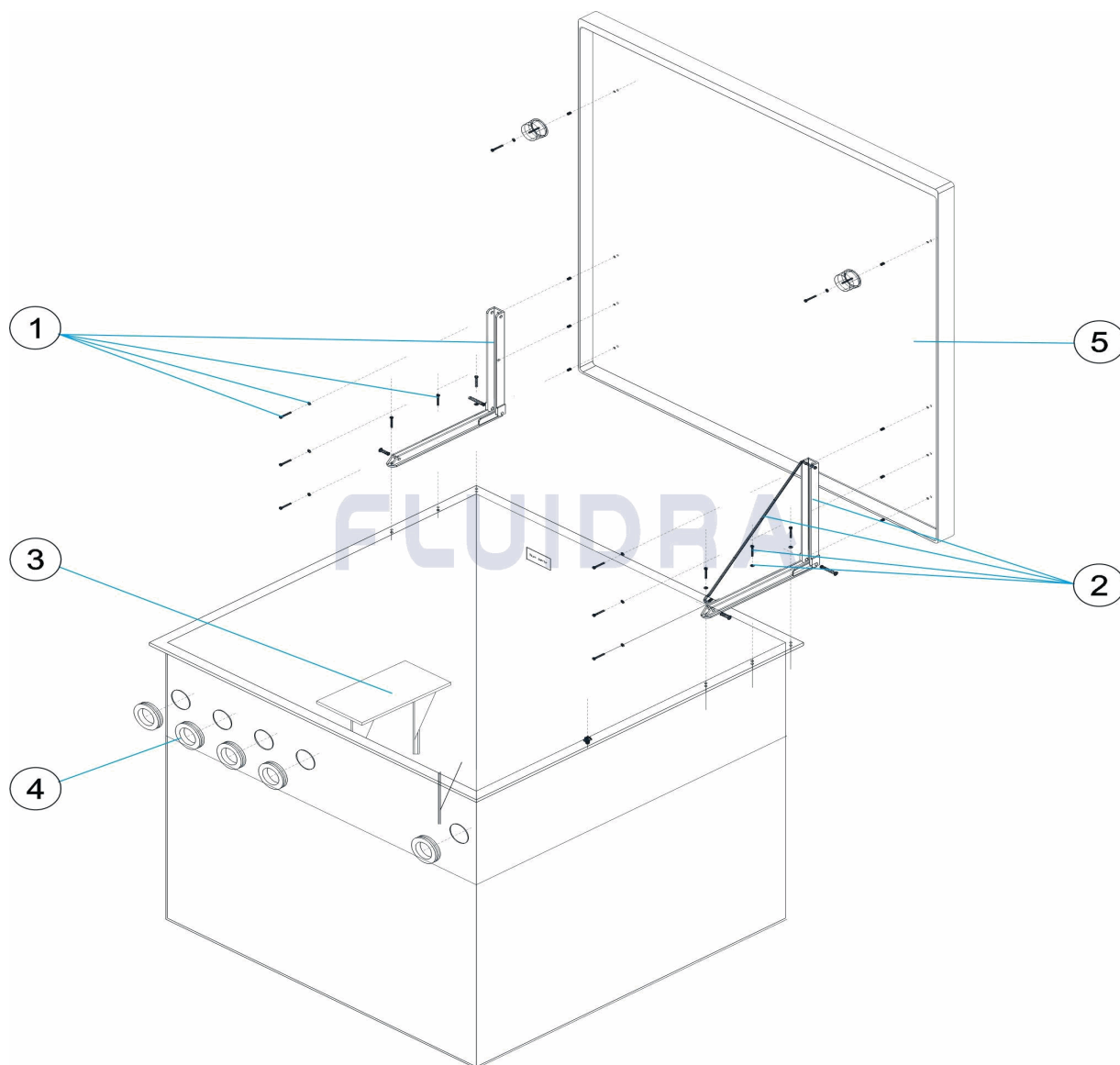
BESCHREIBUNG: **GEHÄUSE VERDECKT**

**HINWEISE**

POS	CODE	HINWEISE
4	* 4404250107	FÜR: 00615, 00616, 00617
4	* 4404310104	FÜR: 00618
5	* 00615R0020	FÜR: 00615
5	* 00616R0020	FÜR: 00616
5	* 00617R0020	FÜR: 00617
5	* 00618R0020	FÜR: 00618

CODIGO **00615, 00616, 00617, 00618**

DESCRIÇÃO: **CABINA ENTERRADA**



**PORTUGUES**

POS	CODIGO	DESCRIÇÃO	JANTIDADE	POS	CODIGO	DESCRIÇÃO	JANTIDADE
1	4404310101	DOBRADIÇA SEM L		5	* 00615R0020	TAMPA CASETA 350	
2	4404310102	DOBRADIÇA COM L		5	* 00616R0020	TAMPA CASETA 500	
3	4404310103	CONJUNTO DE FIXAÇÃO DE SUPORTE DA		5	* 00617R0020	TAMPA CASETA 650	
4	* 4404250107	PASSA-TUBO D.50		5	* 00618R0020	TAMPA CASETA 800	
4	* 4404310104	PASSA-TUBO D.63					

**CODIGO 00615, 00616, 00617, 00618**

**DESCRIÇÃO: CABINA ENTERRADA**

## OBSERVAÇÕES

POS	CODIGO	OBSERVAÇÕES
4	* 4404250107	PARA: 00615, 00616, 00617
4	* 4404310104	PARA: 00618
5	* 00615R0020	PARA: 00615
5	* 00616R0020	PARA: 00616
5	* 00617R0020	PARA: 00617
5	* 00618R0020	PARA: 00618