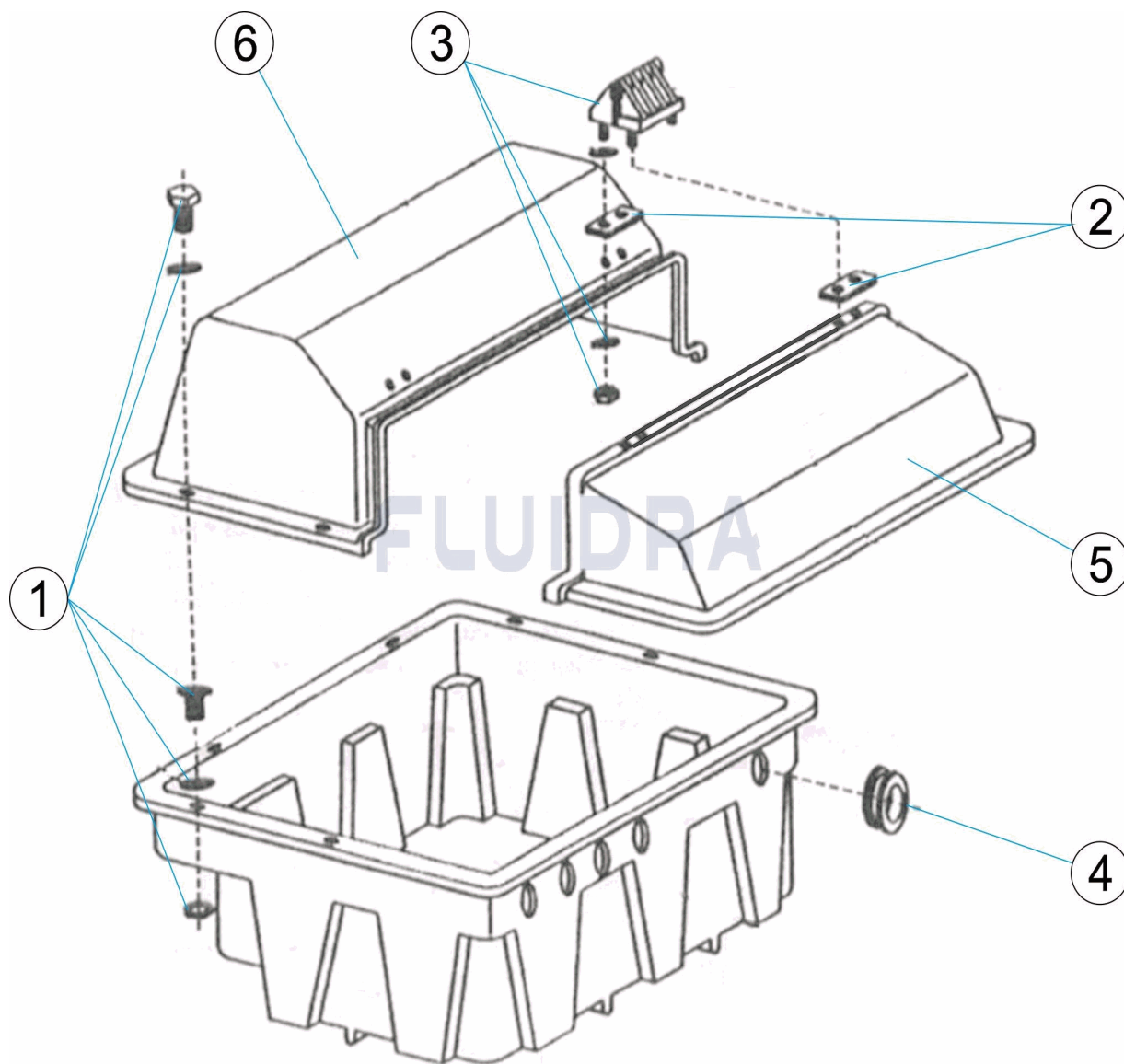


CODIGO **00621**

DESCRIPCION: **CASETA INYECTADA D.600**

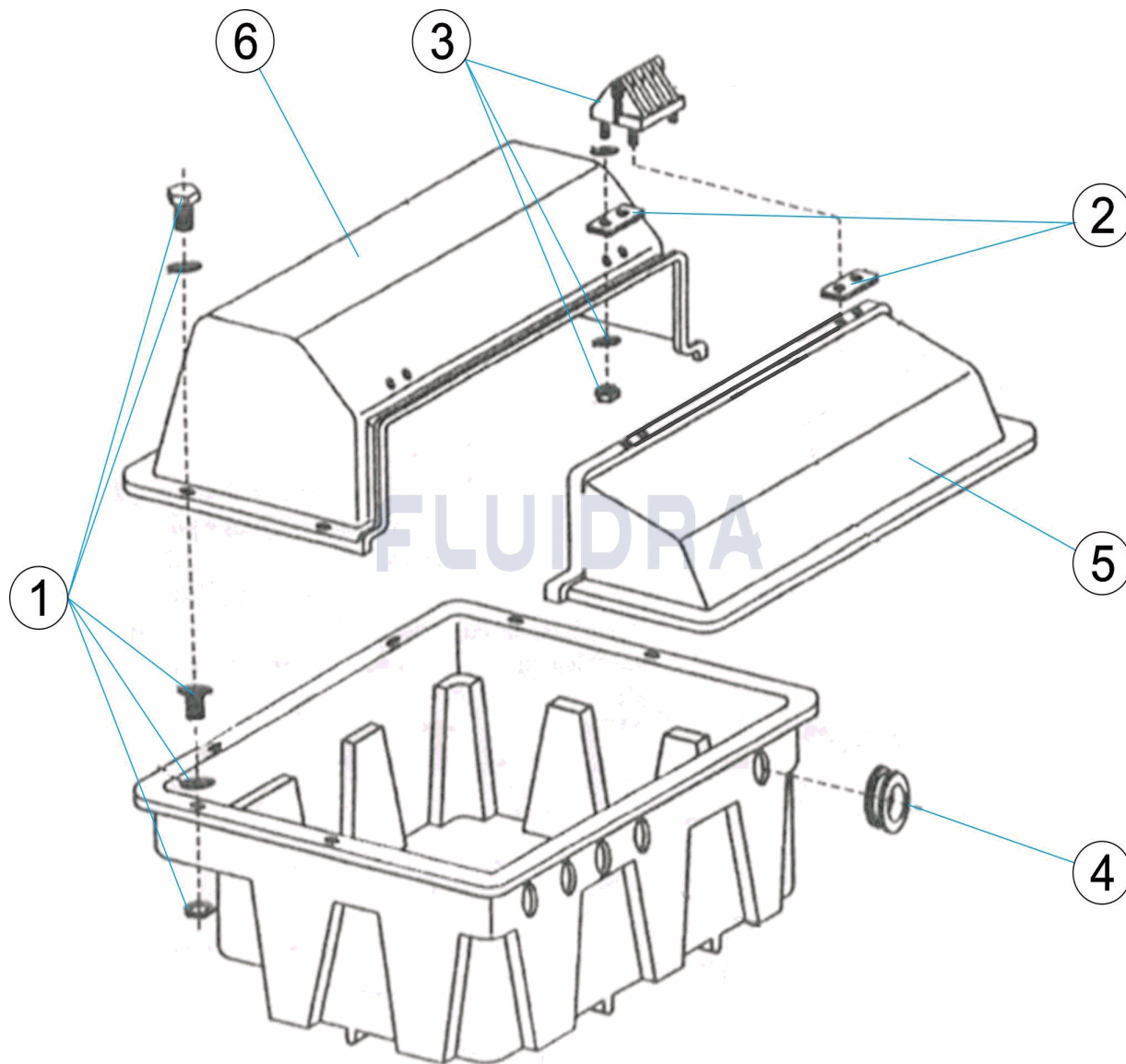


ESPAÑOL

| POS | CODIGO | DESCRIPCION | CANTIDAD | POS | CODIGO | DESCRIPCION | CANTIDAD |
|-----|------------|---------------------|----------|-----|------------|-------------------|----------|
| 1 | 4404310401 | CJTO. FIJACION TAPA | | 4 | 4404250107 | PASATUBO D.50 | |
| 2 | 4404310402 | JUNTA BISAGRA | | 5 | 00621R0700 | TAPA MOVIL CASETA | |
| 3 | 4404250106 | KIT DE 2 BISAGRAS | | 6 | 00621R0600 | TAPA FIJA CASETA | |

CODE 00621

DESCRIPTION: BOÎTIER INJECTÉ D.600

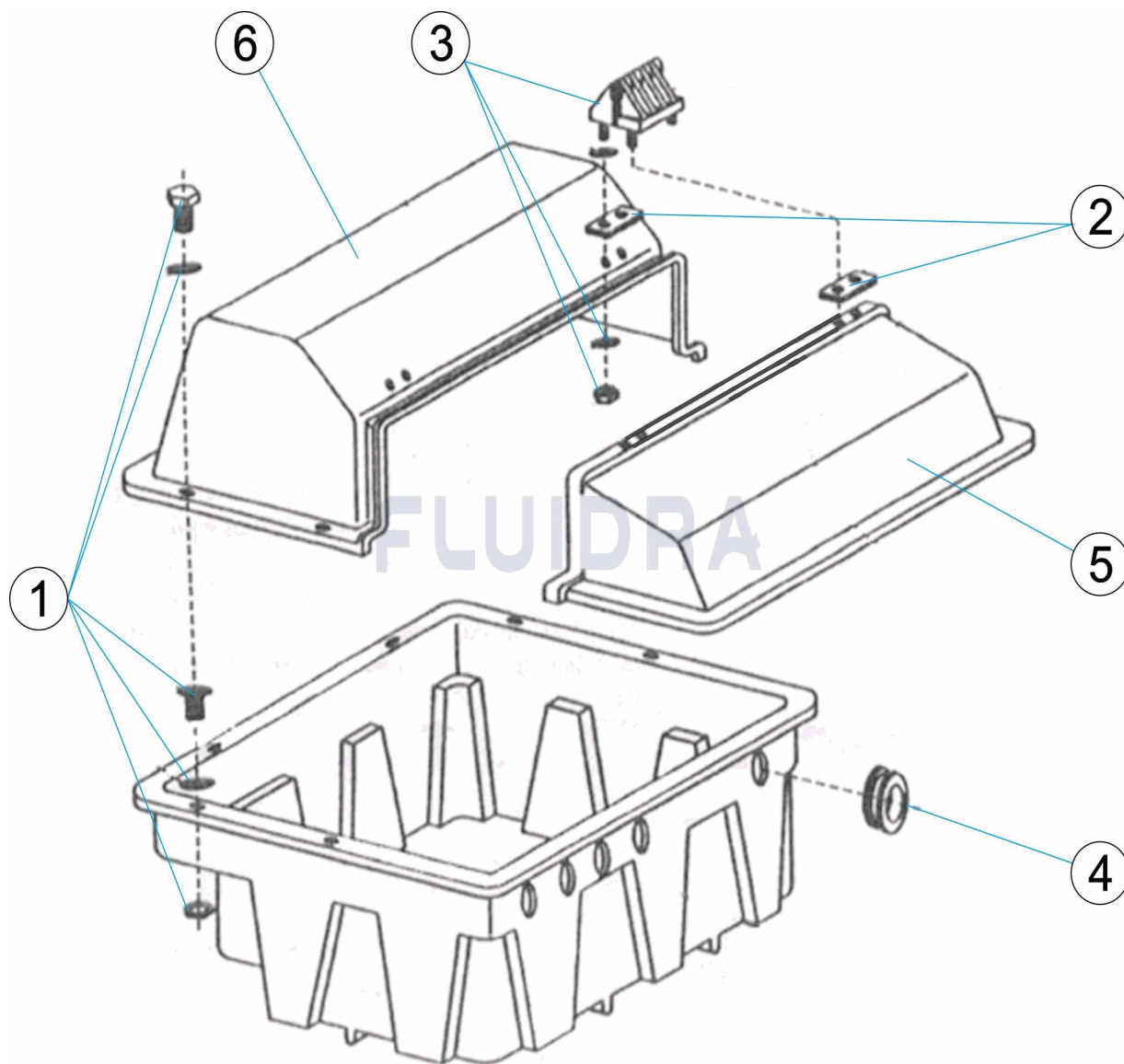


FRANCAIS

| POS | CODE | DESCRIPTION | QUANTITE | POS | CODE | DESCRIPTION | QUANTITE |
|-----|------------|-------------------------|----------|-----|------------|------------------------|----------|
| 1 | 4404310401 | ENS. FIXATION COUVERCLE | 4 | 4 | 4404250107 | CONDUIT CONNECTOR D.50 | |
| 2 | 4404310402 | JOINT CHARNIERE | 5 | 5 | 00621R0700 | COUVERCLE MOBILE LOCAL | |
| 3 | 4404250106 | KIT DE 2 CHARNIÈRES | 6 | 6 | 00621R0600 | COUVERCLE FIXE LOCAL | |

CODE **00621**

DESCRIPTION: INJECTION-MOULD CASING D. 600

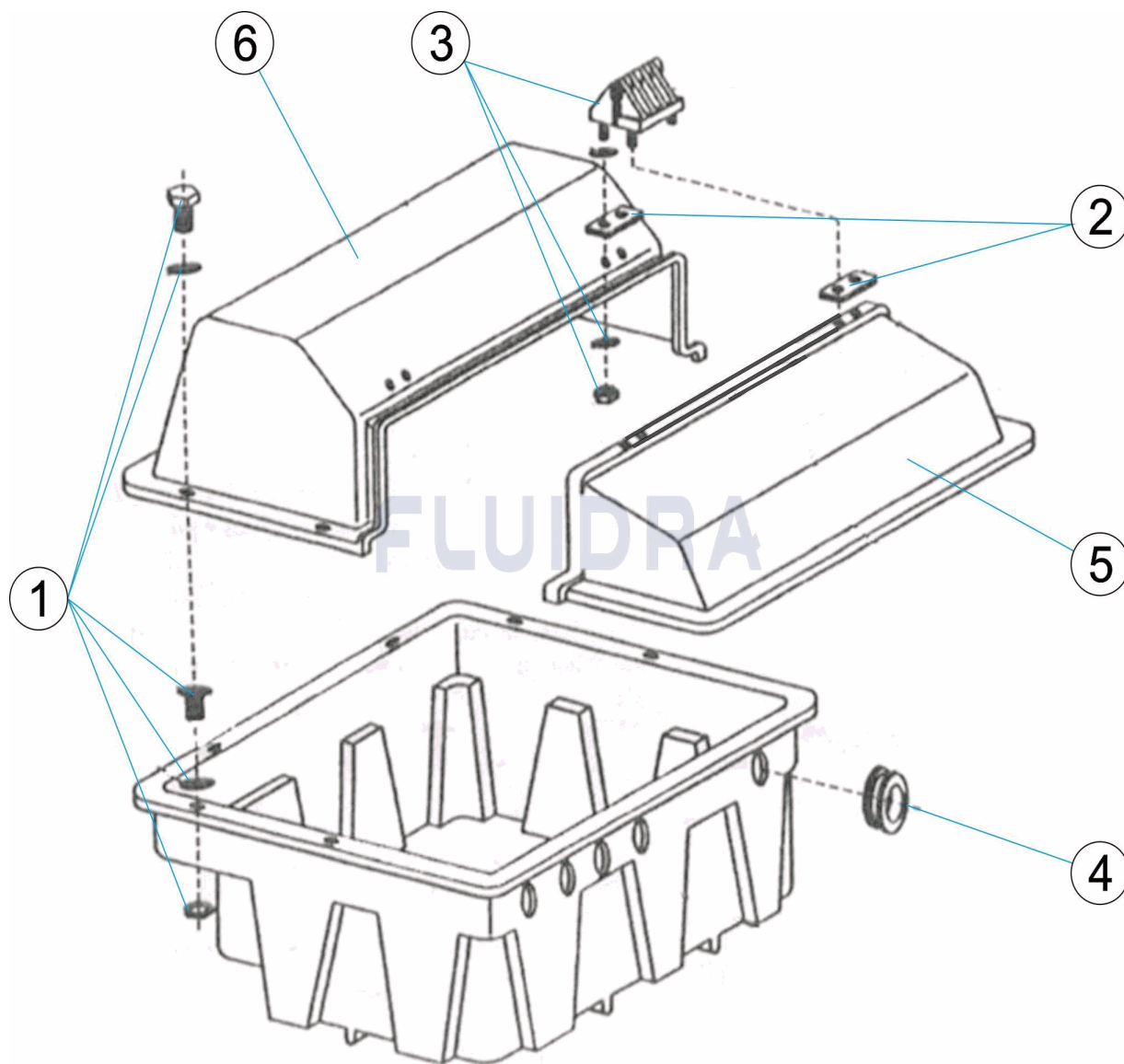


ENGLISH

| POS | CODE | DESCRIPTION | QUANTITY | POS | CODE | DESCRIPTION | QUANTITY |
|-----|------------|-------------------|----------|-----|------------|------------------|----------|
| 1 | 4404310401 | COVER FIXING UNIT | | 4 | 4404250107 | GUIDE TUBE D.50 | |
| 2 | 4404310402 | HINGE JOINT | | 5 | 00621R0700 | MOBILE HUT COVER | |
| 3 | 4404250106 | KIT OF 2 HINGES | | 6 | 00621R0600 | FIXED HUT COVER | |

CODICE **00621**

DESCRIZIONE: **SPOGLIATOIO INIETTATO D.600**

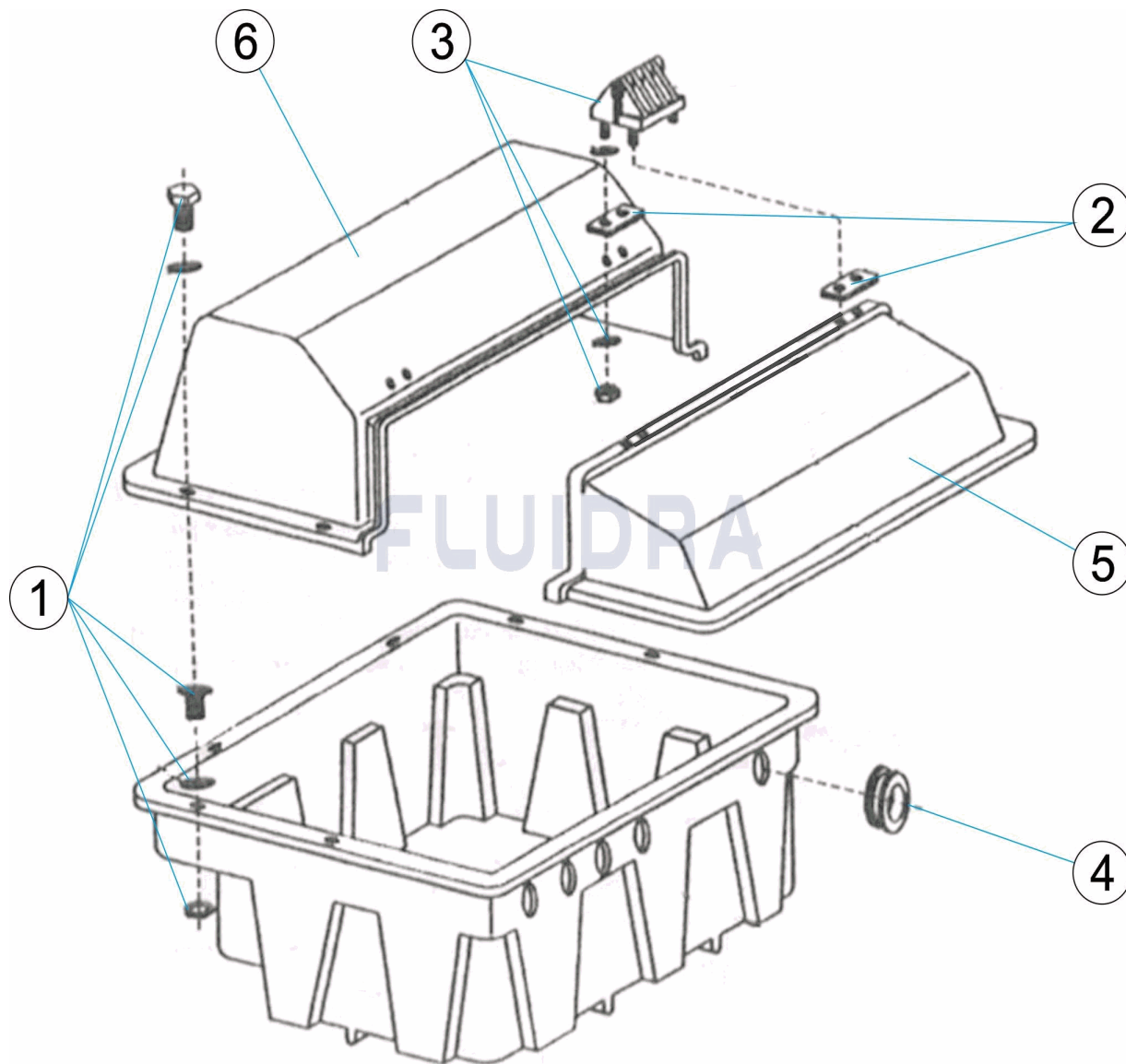


ITALIANO

| POS | CODICE | DESCRIZIONE | QUANTITA' | POS | CODICE | DESCRIZIONE | QUANTITA' |
|-----|------------|-------------------------|-----------|-----|------------|--------------------------------|-----------|
| 1 | 4404310401 | KIT FISSAGGIO COPERCHIO | | 4 | 4404250107 | GUARNIZIONE SANDWICH D. 50 | |
| 2 | 4404310402 | GUARNIZIONE CERNIERA | | 5 | 00621R0700 | COPERCHIO MOBILE ALLOGGIAMENTO | |
| 3 | 4404250106 | KIT 2 CERNIERE | | 6 | 00621R0600 | COPERCHIO FISSO ALLOGGIAMENTO | |

CODE **00621**

BESCHREIBUNG: **GEHÄUSE SPRITZGUSS D. 600**

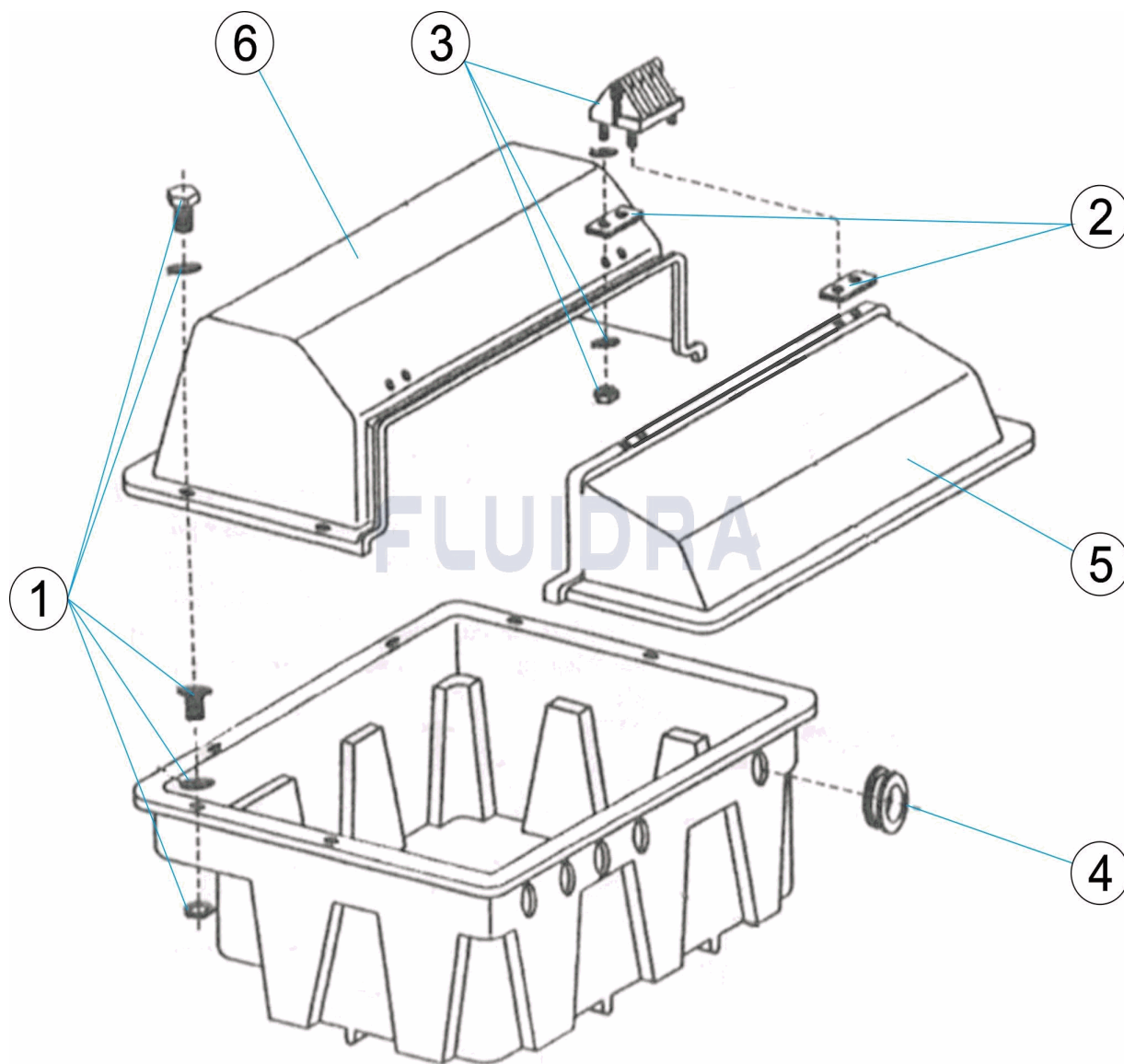


DEUTSCH

| POS | CODE | BESCHREIBUNG | MENGE | POS | CODE | BESCHREIBUNG | MENGE |
|-----|------------|---------------------|-------|-----|------------|-----------------------------|-------|
| 1 | 4404310401 | FIXIERSET ABDECKUNG | | 4 | 4404250107 | ROHRDURCHFÜHRUNG D. 50 | |
| 2 | 4404310402 | DICHTUNG SCHARNIER | | 5 | 00621R0700 | ABDECKUNG BEWEGLICH GEHÄUSE | |
| 3 | 4404250106 | KIT 2 SCHARNIERE | | 6 | 00621R0600 | ABDECKUNG FIX GEHÄUSE | |

CODIGO **00621**

DESCRIÇÃO: **CABINA INJECTADA D. 600**



PORTUGUES

| POS | CODIGO | DESCRIÇÃO | JANTIDADE | POS | CODIGO | DESCRIÇÃO | JANTIDADE |
|-----|------------|---------------------|-----------|-----|------------|--------------------|-----------|
| 1 | 4404310401 | CONJ. FIXAÇÃO TAMPA | 4 | 4 | 4404250107 | PASSA-TUBO D.50 | |
| 2 | 4404310402 | JUNTA DE DOBRADIÇAS | 5 | 5 | 00621R0700 | TAMPA MOVEL CASETA | |
| 3 | 4404250106 | KIT DE 2 DOBRADIÇAS | 6 | 6 | 00621R0600 | TAMPA FIXA CASETA | |