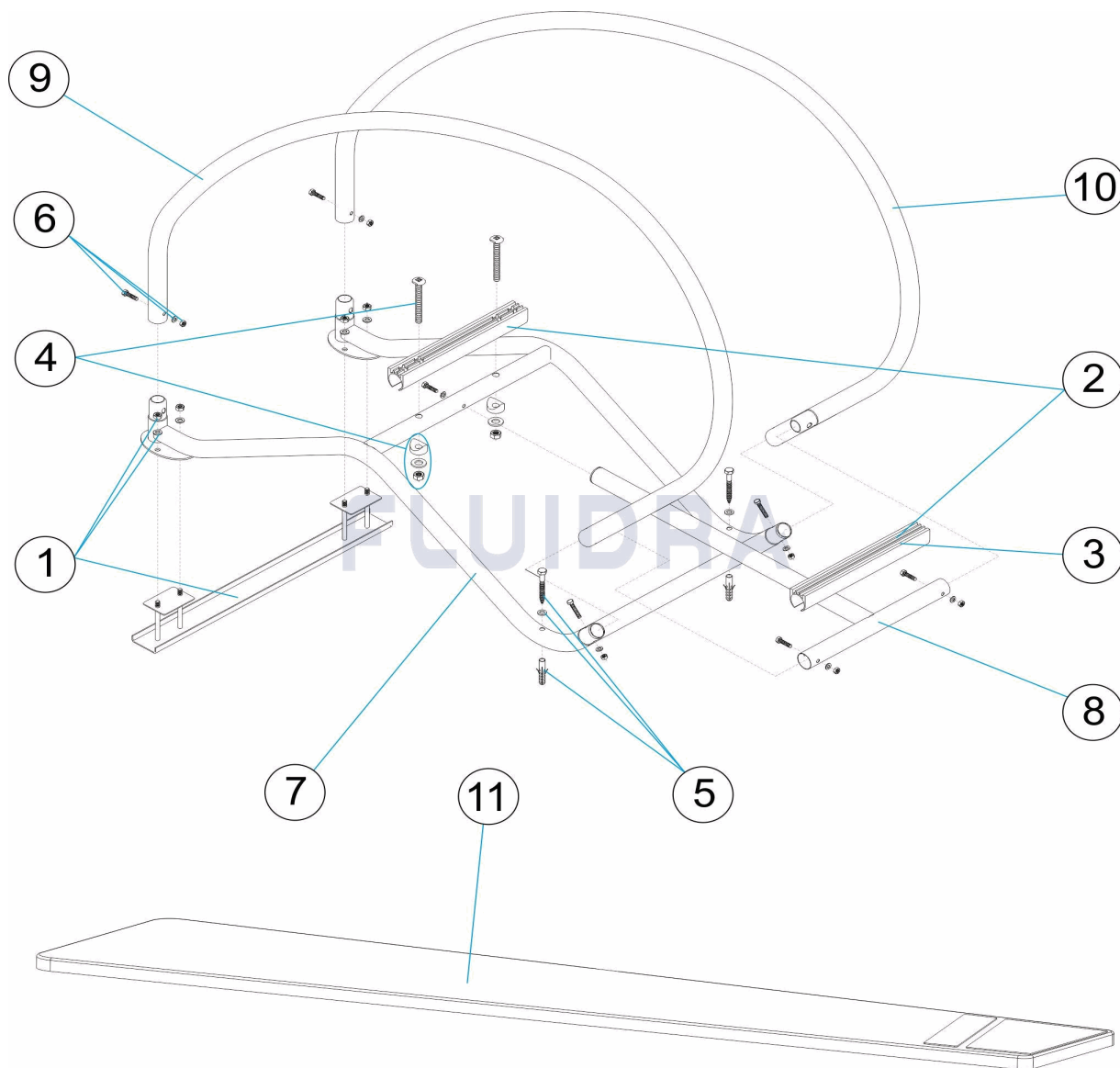


CODIGO **23199, 23200**

DESCRIPCION: **PALANCA DYNAMIC**



ESPAÑOL

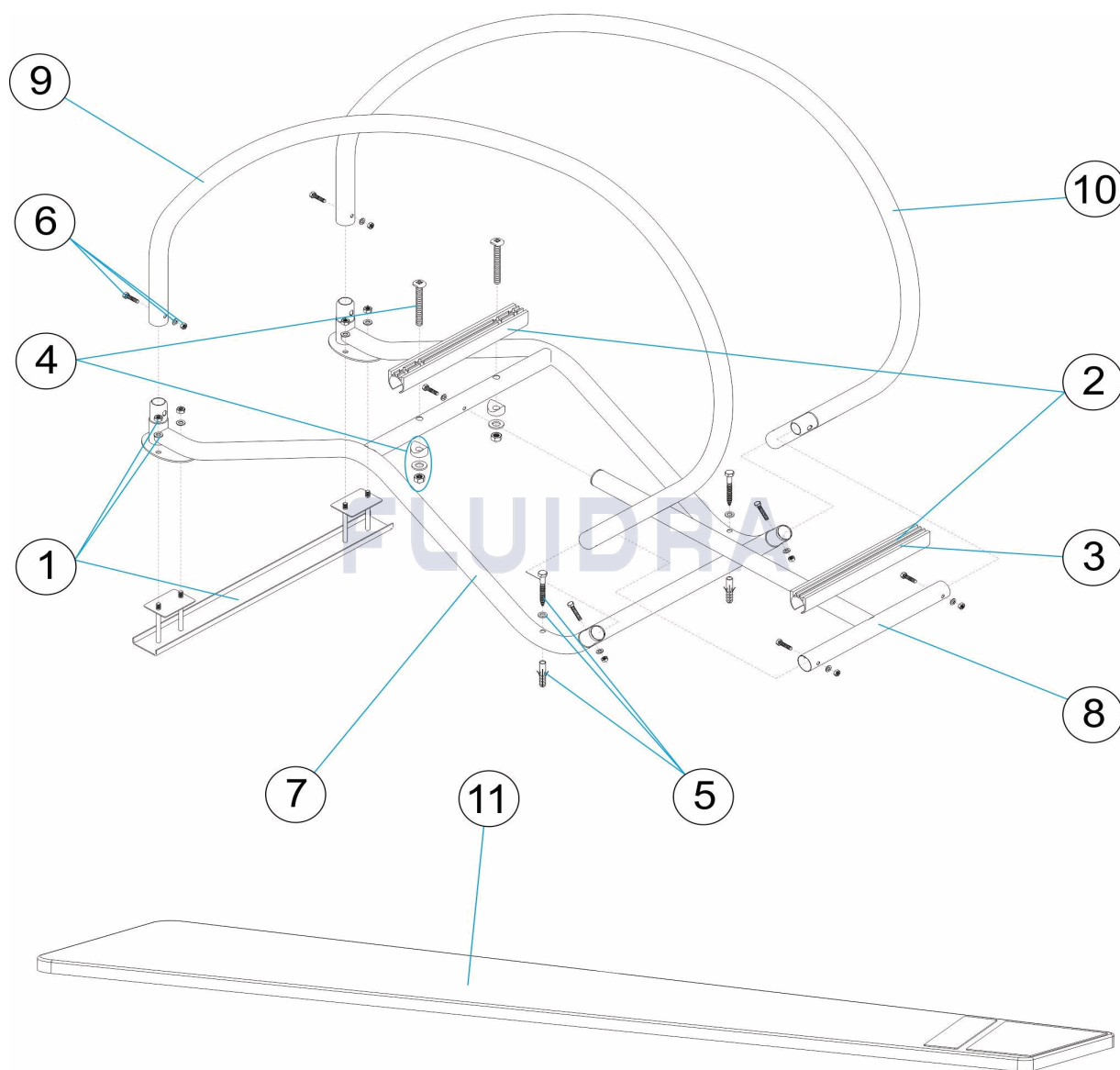
POS	CODIGO	DESCRIPCION	CANTIDAD	POS	CODIGO	DESCRIPCION	CANTIDAD
1	4401021401	ANCLAJE PALANCA DYNAMIC		7	18541R0500	BASE PALANCA	
2	4401020701	ASIENTOS PALANCA		8	18541R0510	TRAVESAÑO ESTRUCTURA BASE PALANCA/	
3	4401020108	ASIENTO DELANTERO (GOMA)		9	18541R0200	BARANDILLA DERECHA PALANCA	
4	4401021406	FIJACION TRASERA PALANCA		10	18541R0300	BARANDILLA IZQUIERDA PALANCA	
5	4401021405	ANCLAJE BASE PALANCA		11	* 23199-1000	PLATAFORMA DINAMIC 2 M.	
6	4401021403	TORNILLERIA FIJACION BARANDILLA		11	* 23200-1000	PLATAFORMA DINAMIC 2 ,3M.	

CODIGO **23199, 23200**DESCRIPCION: **PALANCA DYNAMIC****OBSERVACIONES**

POS	CODIGO	OBSERVACIONES
11	* 23199-1000	PARA: 23199
11	* 23200-1000	PARA: 23200

CODE 23199, 23200

DESCRIPTION: PLANCHE DYNAMIC



FRANCAIS

POS	CODE	DESCRIPTION	QUANTITE	POS	CODE	DESCRIPTION	QUANTITE
1	4401021401	ANCRAGE PLONGEOIR DYNAMIC		7	18541R0500	SUPPORT PLONGEOIR	
2	4401020701	ENSEMBLE PATINS CAOUTCHOUC		8	18541R0510	TRAVERSE STRUCTURE SUPPORT PLONG	
3	4401020108	SUPPORT AVANT CAOUTCHOUC		9	18541R0200	RAMPE COTE DROIT PLONGEOIR	
4	4401021406	FIXATION ARRIERE PLANCHE		10	18541R0300	RAMPE COTE GAUCHE PLONGEOIR	
5	4401021405	ANCRAGE POUR COLONNE		11	* 23199-1000	PLANCHE SEULE DYNAMIC 2M	
6	4401021403	VISSERIE DE FIXATION DE LA RAMPE		11	* 23200-1000	PLANCHE SEULE DYNAMIC 2,3M	

CODE **23199, 23200**

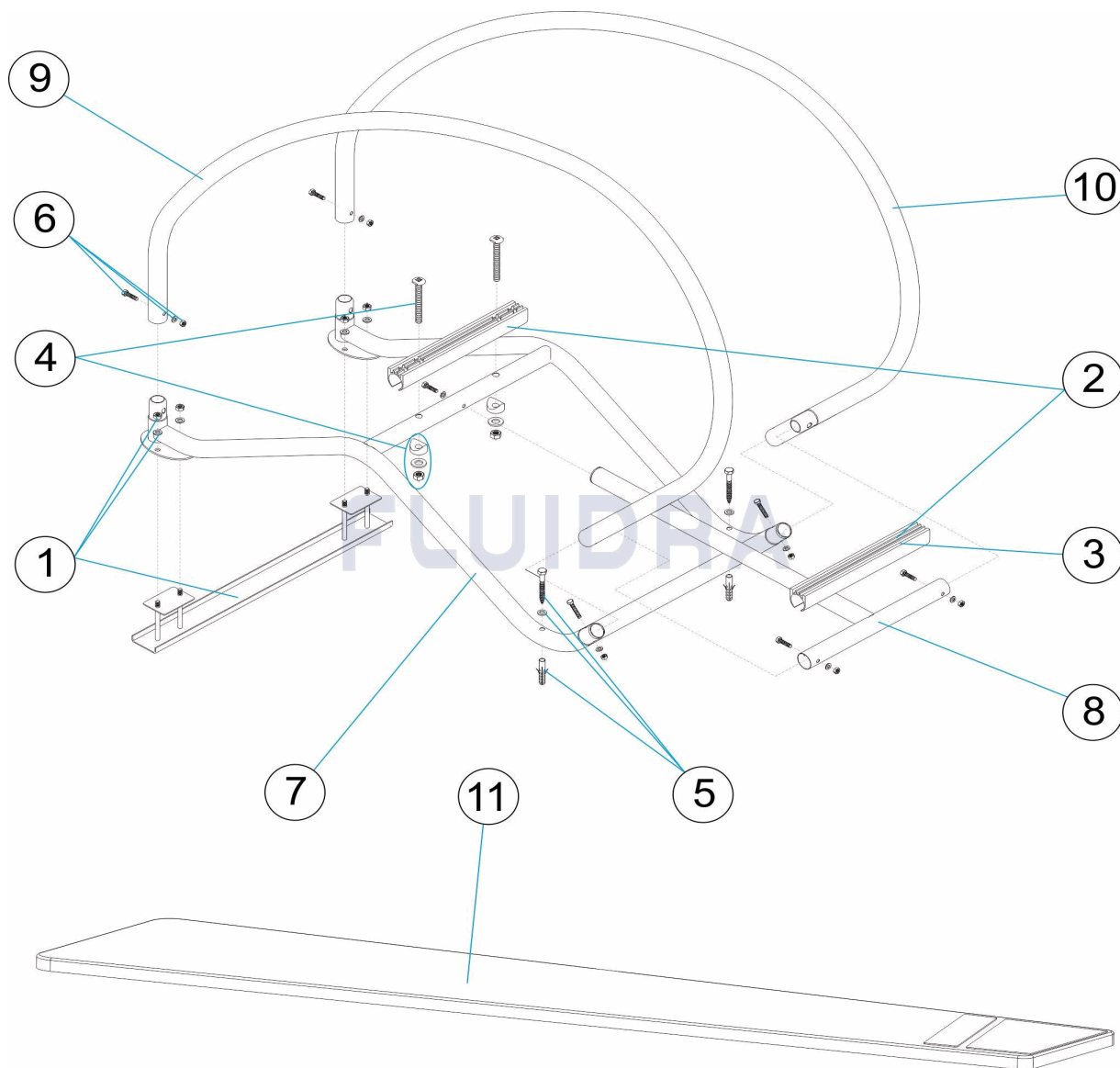
DESCRIPTION: **PLANCHE DYNAMIC**

OBSERVATIONS

POS	CODE	OBSERVATIONS
11	* 23199-1000	POUR: 23199
11	* 23200-1000	POUR: 23200

CODE 23199, 23200

DESCRIPTION: DYNAMIC SPRINGBOARD



ENGLISH

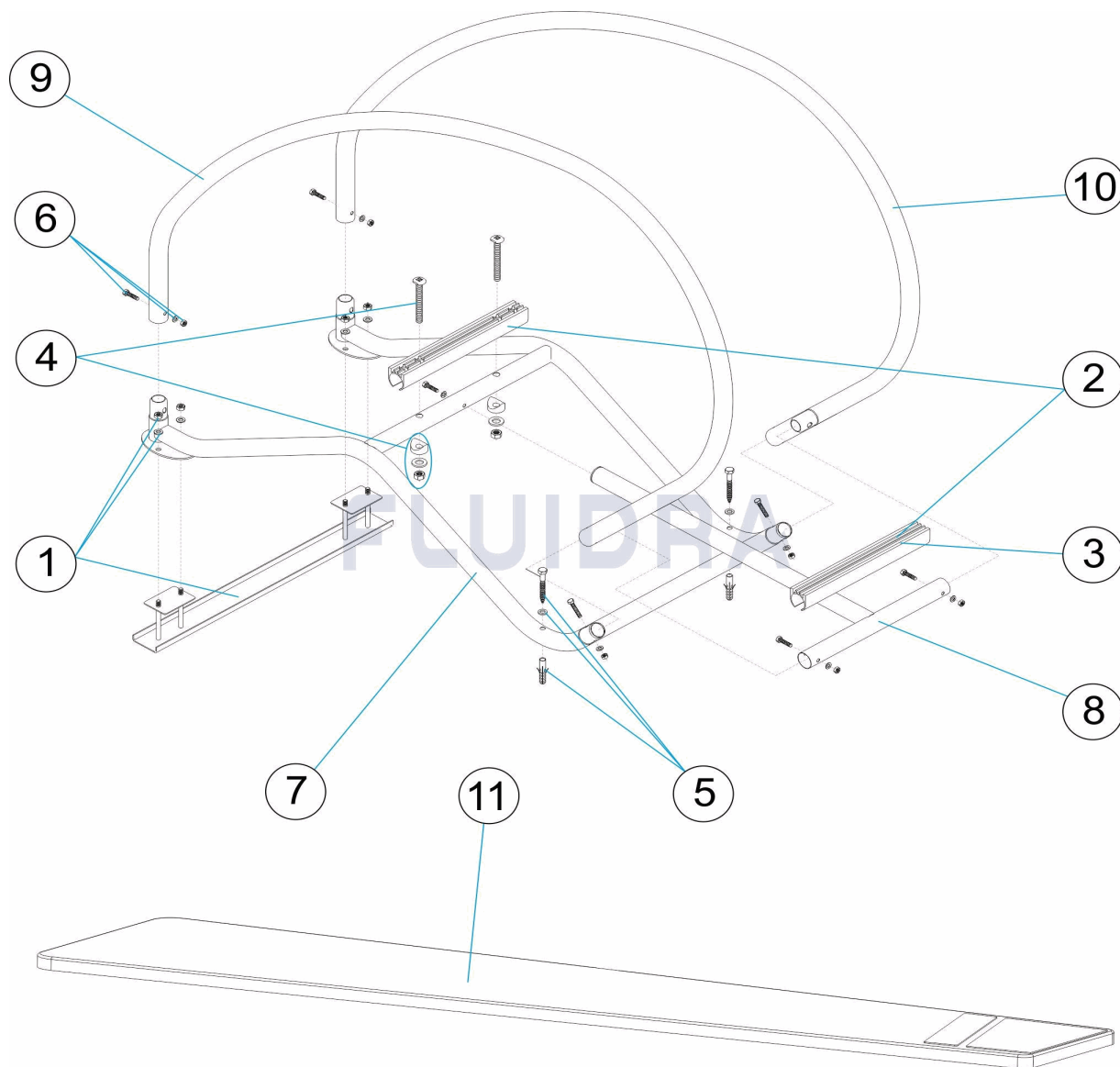
POS	CODE	DESCRIPTION	QUANTITY	POS	CODE	DESCRIPTION	QUANTITY
1	4401021401	ANCHOR FOR DYNAMIC BOARD		7	18541R0500	BOARD BASE	
2	4401020701	SUPPORTS		8	18541R0510	BOARD CROSS PIECE BASE STRUCTURE	
3	4401020108	FRONT SUPPORT		9	18541R0200	BOARD RIGHT HANDRAIL	
4	4401021406	REAR FIXINGS		10	18541R0300	BOARD LEFT HANDRAIL	
5	4401021405	ANCHOR		11	* 23199-1000	2 M DYNAMIC PLATFORM	
6	4401021403	HANDRAIL FIXINGS		11	* 23200-1000	2,3 M DYNAMIC PLATFORM	

CODE **23199, 23200**DESCRIPTION: **DYNAMIC SPRINGBOARD****OBSERVATIONS**

POS	CODE	OBSERVATIONS
11	* 23199-1000	FOR: 23199
11	* 23200-1000	FOR: 23200

CODICE **23199, 23200**

DESCRIZIONE: **PEDANA DYNAMIC**



ITALIANO

POS	CODICE	DESCRIZIONE	QUANTITA'	POS	CODICE	DESCRIZIONE	QUANTITA'
1	4401021401	ANCORAGGIO TAVOLA DYNAMIC		7	18541R0500	BASE TAVOLA	
2	4401020701	KIT FULCRI TRAMPOLINO		8	18541R0510	TRAVERSA STRUTTURA BASE TAVOLA	
3	4401020108	SEDUTA ANTERIORE (GOMMA)		9	18541R0200	MANIGLIONE DESTRO TAVOLA	
4	4401021406	FISSAGGIO POSTERIORE TAVOLA		10	18541R0300	MANIGLIONE SINISTRO TAVOLA	
5	4401021405	ANCORAGGIO BASE TAVOLA		11	* 23199-1000	TAVOLA DINAMIC 2M	
6	4401021403	BULLONERIA FISSAGGIO PER RINGHIERA		11	* 23200-1000	TAVOLA DINAMIC 2,3M	

CODICE 23199, 23200

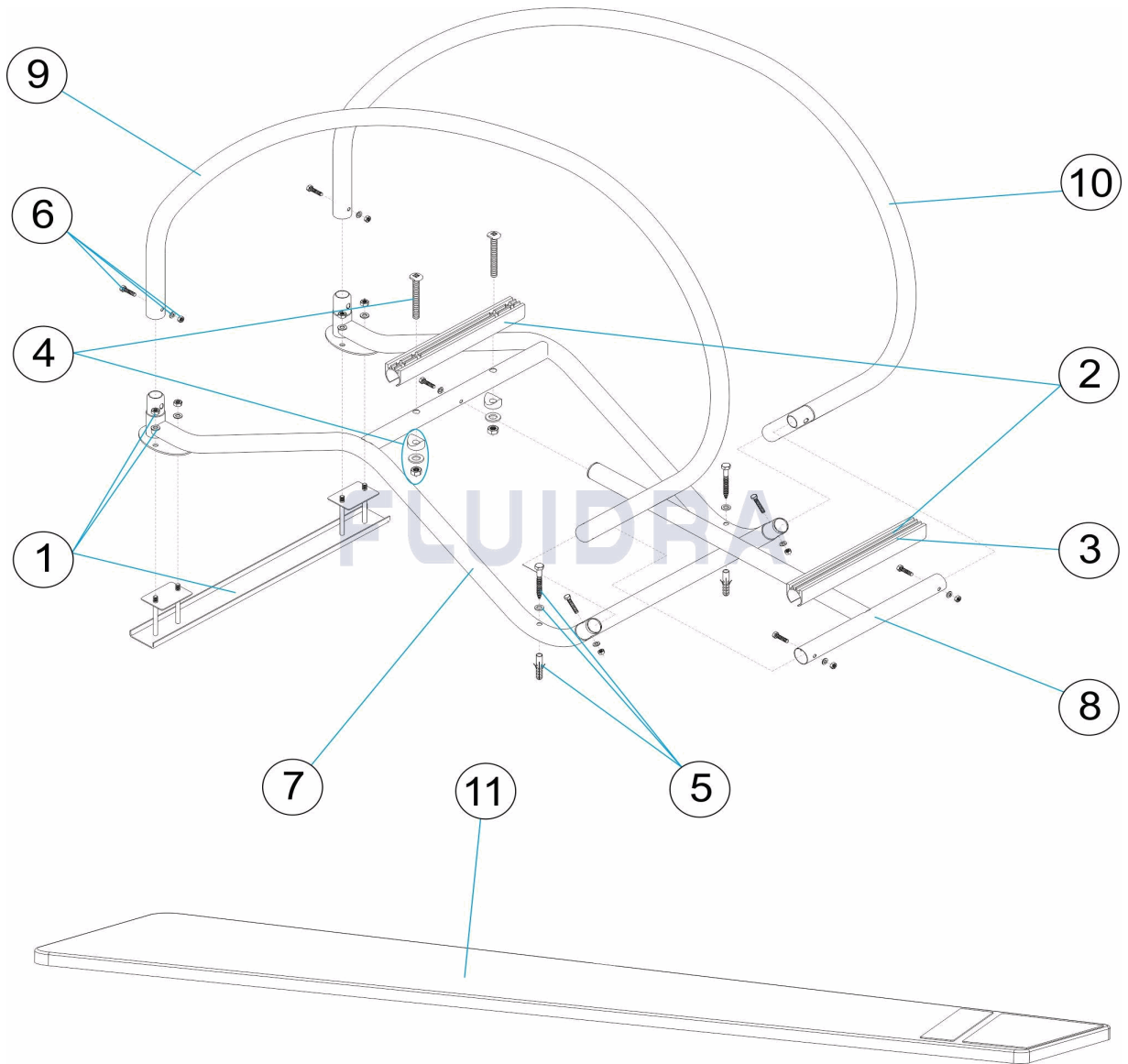
DESCRIZIONE: PEDANA DYNAMIC

OSSERVAZIONI

POS	CODICE	OSSERVAZIONI
11	* 23199-1000	PER: 23199
11	* 23200-1000	PER: 23200

CODE **23199, 23200**

BESCHREIBUNG: **SPRUNGBRETT DYNAMIC**



DEUTSCH

POS	CODE	BESCHREIBUNG	MENGE	POS	CODE	BESCHREIBUNG	MENGE
1	4401021401	VERANKERUNG SPRUNGBRETT DYNAMIC		7	18541R0500	BASIS SPRUNGBRETT	
2	4401020701	SITZE SPRUNGBRETT		8	18541R0510	QUERTEIL STRUKTUR BASIS SPRUNGBRETT	
3	4401020108	SITZ VORNE (GUMMI)		9	18541R0200	GELÄNDER RECHTS SPRUNGBRETT	
4	4401021406	FIXIERUNG HINTEN SPRUNGBRETT		10	18541R0300	GELÄNDER LINKS SPRUNGBRETT	
5	4401021405	VERANKERUNG SPRUNGBRETTBASIS		11	* 23199-1000	PLATTFORM DINAMIC 2 M	
6	4401021403	FIXIERSCHRAUBEN GELÄNDER		11	* 23200-1000	PLATTFORM DINAMIC 2, 3 M	

CODE **23199, 23200**

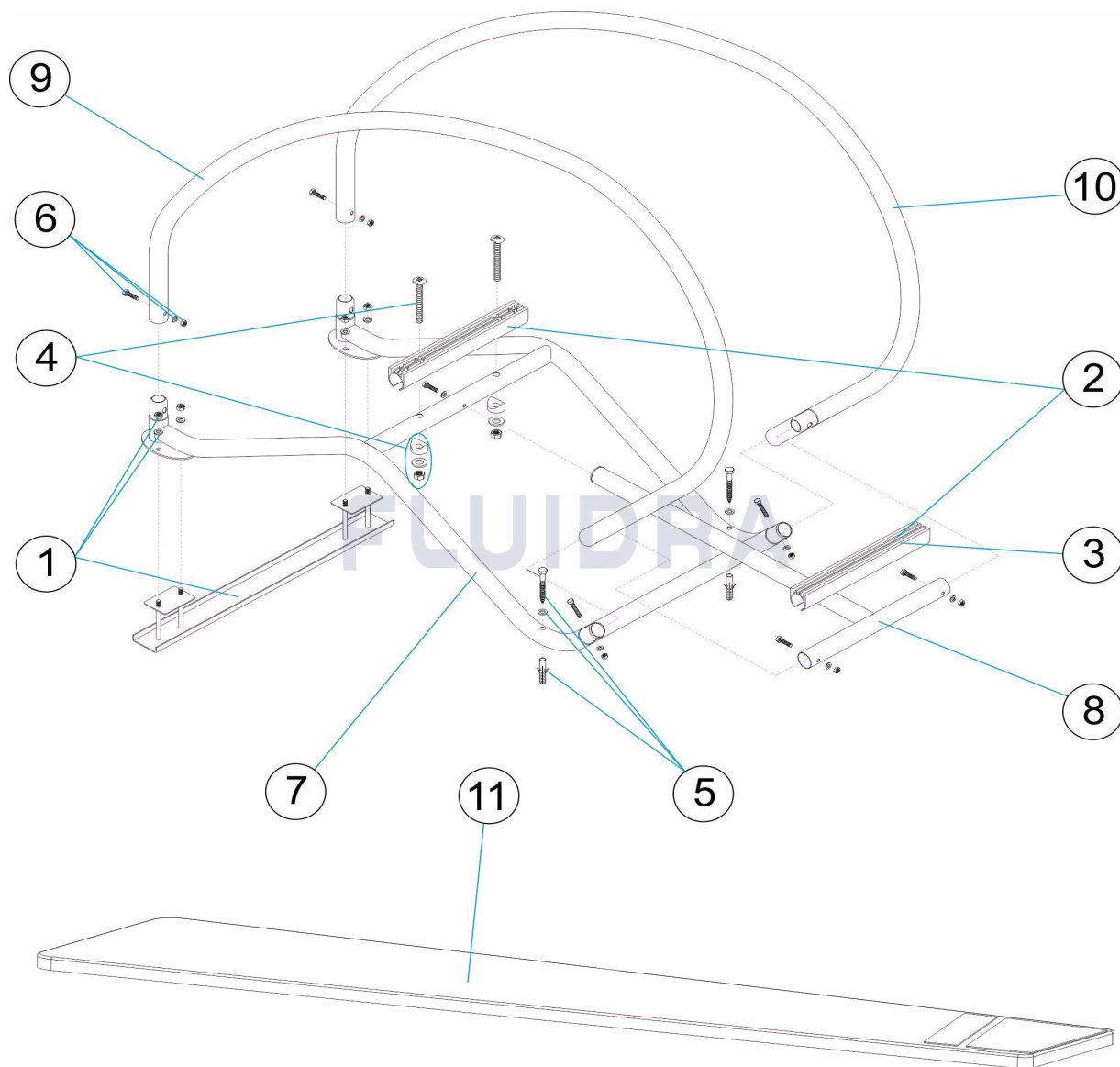
BESCHREIBUNG: **SPRUNGBRETT DYNAMIC**

HINWEISE

POS	CODE	HINWEISE
11	* 23199-1000	FÜR: 23199
11	* 23200-1000	FÜR: 23200

CODIGO **23199, 23200**

DESCRIÇÃO: **PRANCHA DE SALTOS DYNAMIC**



PORTUGUES

POS	CODIGO	DESCRIÇÃO	JANTIDADE	POS	CODIGO	DESCRIÇÃO	JANTIDADE
1	4401021401	ÂNCORA PRANCHA DYNAMIC		7	18541R0500	BASE DA PRANCHA	
2	4401020701	ASSENTO PRANCHA		8	18541R0510	TRAVESSA DA ESTRUTURA DA BASE DA PRANCHA	
3	4401020108	ASSENTAMENTO DIANTEIRO (BORRACHA)		9	18541R0200	CORRIMÃO DA DIREITA DA PRANCHA	
4	4401021406	FIXAÇÃO PRANCHA TRASERA		10	18541R0300	CORRIMÃO DA ESQUERDA DA PRANCHA	
5	4401021405	ÂNCORA BASE PRANCHA		11	* 23199-1000	PLATAFORMA DINAMIC 2 M.	
6	4401021403	CONJ. PARAFUSOS FIXAÇÃO CORRIMÃO		11	* 23200-1000	PLATAFORMA DINAMIC 2 ,3M.	

CODIGO 23199, 23200

DESCRIÇÃO: PRANCHA DE SALTOS DYNAMIC

OBSERVAÇÕES

POS	CODIGO	OBSERVAÇÕES
11	* 23199-1000	PARA: 23199
11	* 23200-1000	PARA: 23200