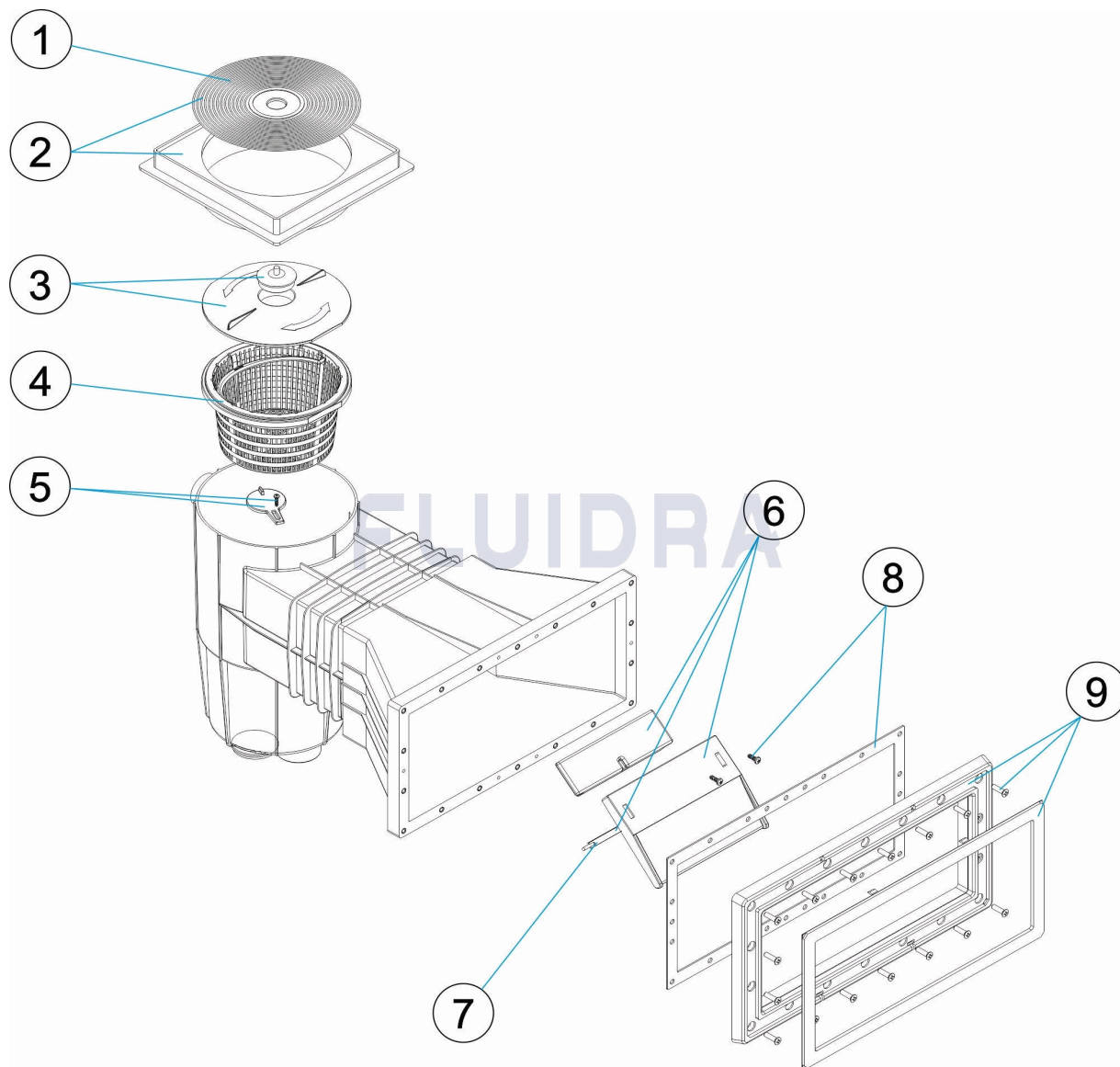


CODIGO **01464, 01464CL090, 01464CL129, 01464CL144**

DESCRIPCION: **SKIMMER 15L PP. B.AMPLIACION TAPA CUADRADA**



ESPAÑOL

POS	CODIGO	DESCRIPCION	CANTIDAD	POS	CODIGO	DESCRIPCION	CANTIDAD
1	4402010108	TAPA CIRCULAR SKIMMER		6	* 4402010072	COMPUERTA SKIMMER BISAGRA	
2	4402010106	TAPA Y ARO CUADRADO SKIMMER		7	4402010110	BISAGRA COMPUERTA	
3	4402010104	TAPA CESTO SKIMMER CON TAPON		8	4402014101	JUNTA PISCINA PREFABRICADA	
4	4402010103	CESTO SKIMMER		9	* 4402010408	MARCO BOCA SKIMMER PISC. PREF.	
5	4402010102	CLAPETA SKIMMER		9	* 4402010100	MARCO BOCA SKIMMER PISC. PREF.	
6	* 4402010101	COMPUERTA SKIMMER BISAGRA		9	* 4402010125	MARCO BOCA SKIMMER PISC. PREF.	
6	* 4402010026	CONJUNTO COMPUERTA SKIMMER + FLO		9	* 4402010124	MARCO BOCA SKIMMER PISC. PREF.	
6	* 4402010030	CONJUNTO COMPUERTA SKIMMER + FLO					

CODIGO 01464, 01464CL090, 01464CL129, 01464CL144

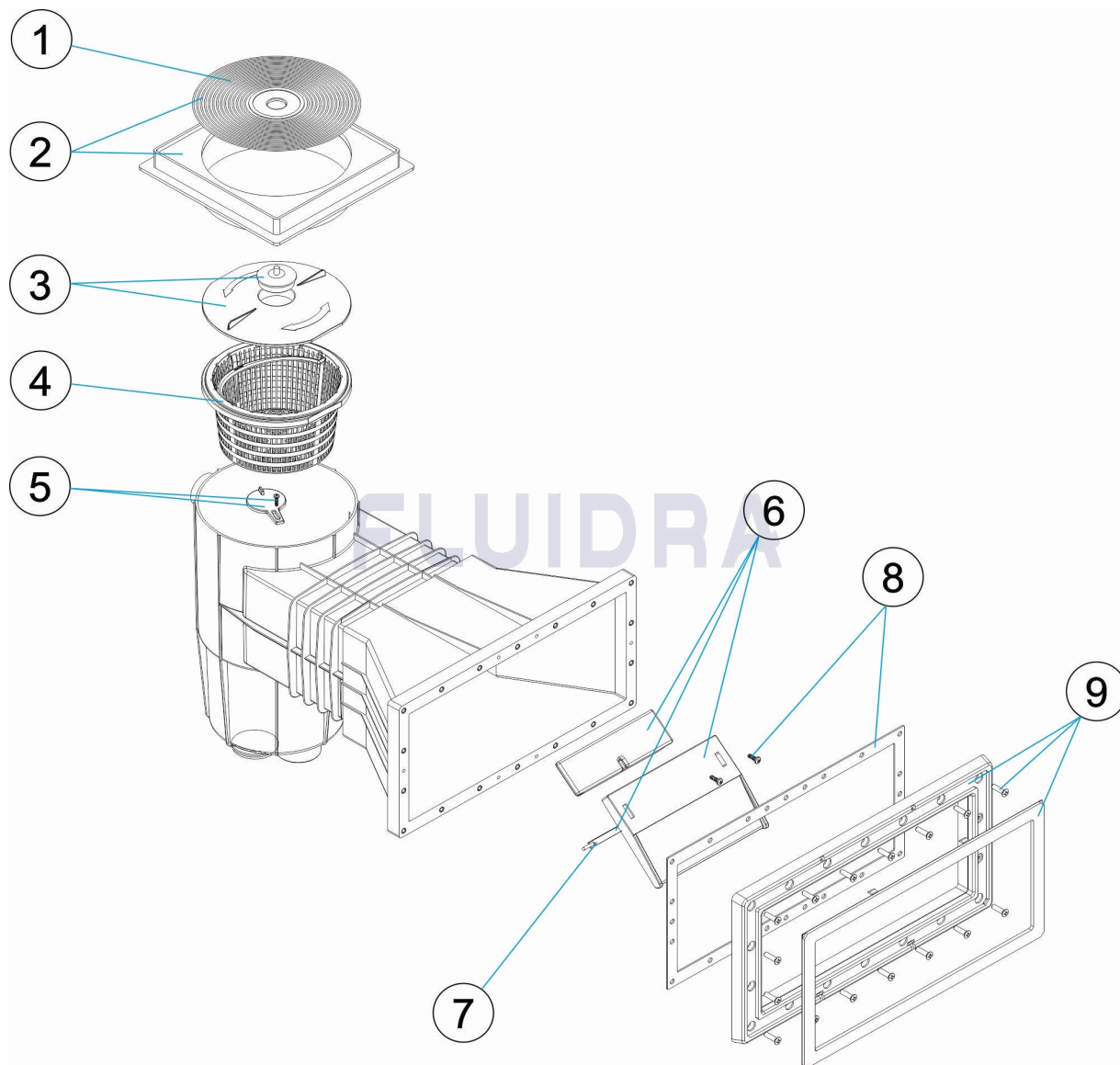
DESCRIPCION: SKIMMER 15L PP. B.AMPLIACION TAPA CUADRADA

OBSERVACIONES

POS	CODIGO	OBSERVACIONES
6	* 4402010101	PARA: 01464 WHITE
6	* 4402010026	PARA: 01464CL090 BEIGE
6	* 4402010030	PARA: 01464CL129 GREY
6	* 4402010072	PARA: 01464CL144 ANTHRACITE
9	* 4402010408	PARA: 01464 WHITE
9	* 4402010100	PARA: 01464CL090 BEIGE
9	* 4402010125	PARA: 01464CL129 GREY
9	* 4402010124	PARA: 01464CL144 ANTHRACITE

CODE 01464, 01464CL090, 01464CL129, 01464CL144

DESCRIPTION: SKIMMER 15L PP. O.ÉLARGISSEMENT COUVERCLE CARRÉ



FRANCAIS

POS	CODE	DESCRIPTION	QUANTITE	POS	CODE	DESCRIPTION	QUANTITE
1	4402010108	COUVERCLE ROND SKIMMER		6	* 4402010072	VOLET ET CHARNIERE SKIMMER	
2	4402010106	COUVERCLE ET CADRE CARRE SKIMMER		7	4402010110	CHARNIERE VOLET	
3	4402010104	COUVERCLE PANIER SKIMMER AVEC BOU		8	4402014101	JOINT PISCINE LINER	
4	4402010103	PANIER SKIMMER		9	* 4402010408	BRIDE ET CACHE VIS KIT LINER	
5	4402010102	CLAPET SKIMMER		9	* 4402010100	BRIDE ET CACHE VIS KIT LINER	
6	* 4402010101	VOLET ET CHARNIERE SKIMMER		9	* 4402010125	BRIDE ET CACHE VIS KIT LINER	
6	* 4402010026	VOLET ET CHARNIERE SKIMMER		9	* 4402010124	BRIDE ET CACHE VIS KIT LINER	
6	* 4402010030	VOLET ET CHARNIERE SKIMMER					

CODE **01464, 01464CL090, 01464CL129, 01464CL144**

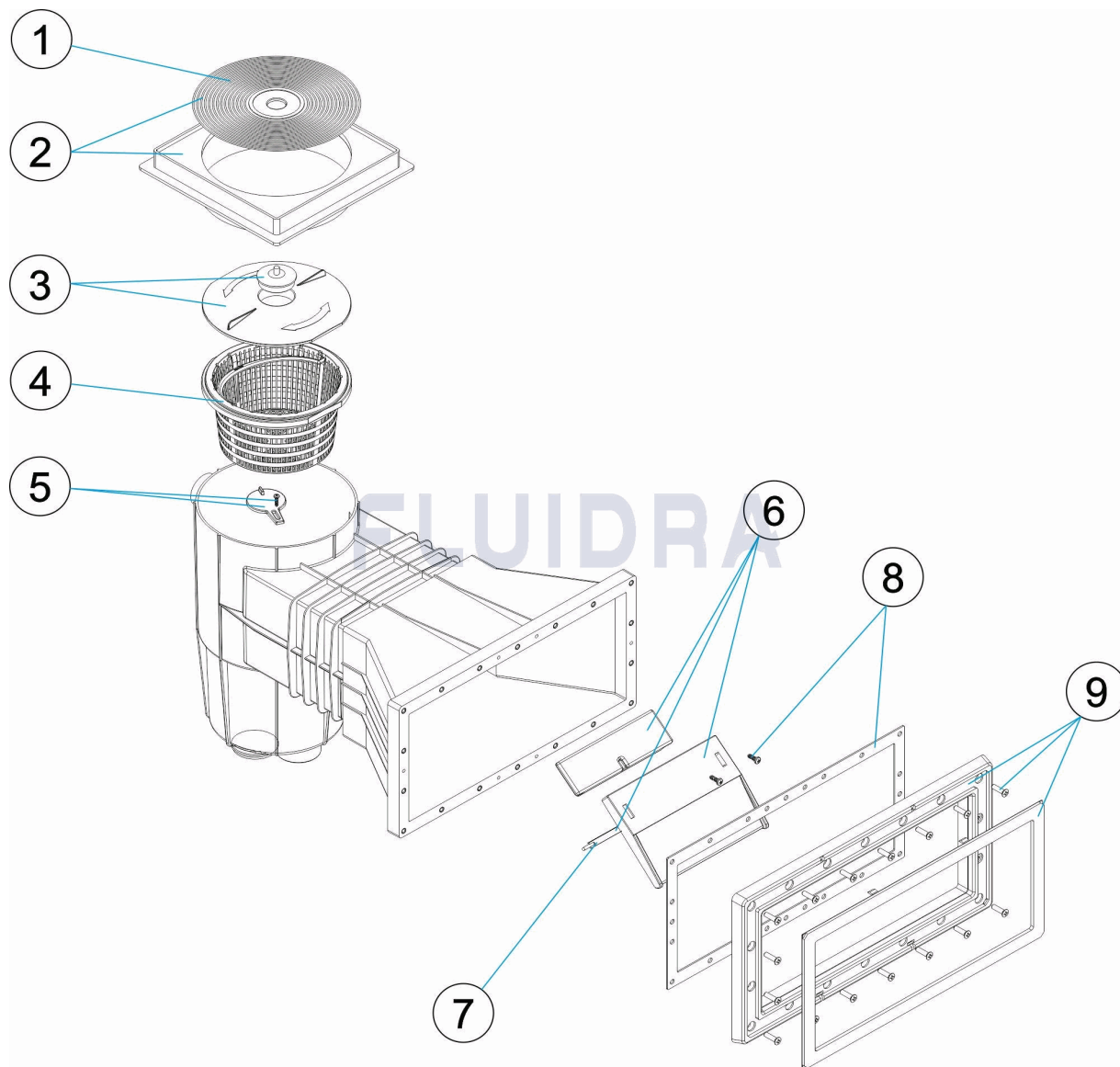
DESCRIPTION: **SKIMMER 15L PP. O.ÉLARGISSEMENT COUVERCLE CARRÉ**

OBSERVATIONS

POS	CODE	OBSERVATIONS
6	* 4402010101	POUR: 01464 WHITE
6	* 4402010026	POUR: 01464CL090 BEIGE
6	* 4402010030	POUR: 01464CL129 GREY
6	* 4402010072	POUR: 01464CL144 ANTHRACITE
9	* 4402010408	POUR: 01464 WHITE
9	* 4402010100	POUR: 01464CL090 BEIGE
9	* 4402010125	POUR: 01464CL129 GREY
9	* 4402010124	POUR: 01464CL144 ANTHRACITE

CODE **01464, 01464CL090, 01464CL129, 01464CL144**

DESCRIPTION: **SKIMMER 15L PP. B. EXTENSION SQUARE COVER**



ENGLISH

POS	CODE	DESCRIPTION	QUANTITY	POS	CODE	DESCRIPTION	QUANTITY
1	4402010108	CIRCULAR SKIMMER LID		6	* 4402010072	FLAP RETAINING CLIP	
2	4402010106	SQUARE LID AND LID FRAME		7	4402010110	HINGE FLAP	
3	4402010104	VACUUM PLATE WITH PLUG		8	4402014101	LINER POOL GASKET	
4	4402010103	SKIMMER BASKET		9	* 4402010408	SKIMMER FRAME FOR LINER	
5	4402010102	KEYHOLE FLAP		9	* 4402010100	SKIMMER FRAME FOR LINER	
6	* 4402010101	FLAP RETAINING CLIP		9	* 4402010125	SKIMMER FRAME FOR LINER	
6	* 4402010026	FLAP RETAINING CLIP		9	* 4402010124	SKIMMER FRAME FOR LINER	
6	* 4402010030	FLAP RETAINING CLIP					

CODE **01464, 01464CL090, 01464CL129, 01464CL144**

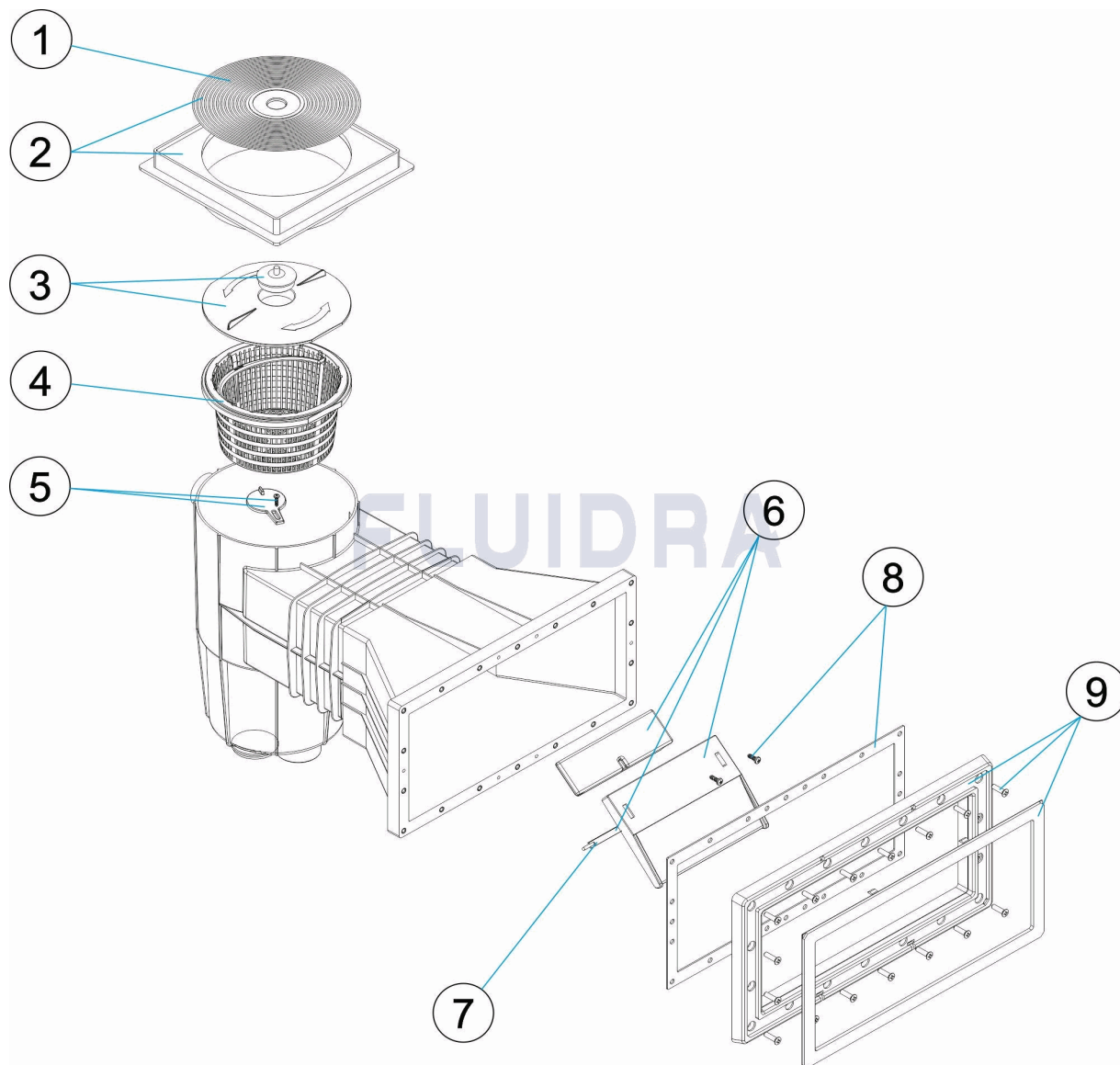
DESCRIPTION: **SKIMMER 15L PP. B. EXTENSION SQUARE COVER**

OBSERVATIONS

POS	CODE	OBSERVATIONS
6	* 4402010101	FOR: 01464 WHITE
6	* 4402010026	FOR: 01464CL090 BEIGE
6	* 4402010030	FOR: 01464CL129 GREY
6	* 4402010072	FOR: 01464CL144 ANTHRACITE
9	* 4402010408	FOR: 01464 WHITE
9	* 4402010100	FOR: 01464CL090 BEIGE
9	* 4402010125	FOR: 01464CL129 GREY
9	* 4402010124	FOR: 01464CL144 ANTHRACITE

CODICE **01464, 01464CL090, 01464CL129, 01464CL144**

DESCRIZIONE: **SKIMMER 15L PP B. AMPLIAZIONE TAPPO QUADRATO**



ITALIANO

POS	CODICE	DESCRIZIONE	QUANTITA'	POS	CODICE	DESCRIZIONE	QUANTITA'
1	4402010108	COPERCHIO TONDO SKIMMER		6	* 4402010072	BATTENTE SKIMMER CON PERNO	
2	4402010106	COPERCHIO E CORNICE QUADRA SKIMME		7	4402010110	CERNIERE BATTENTE	
3	4402010104	COPERCHIO CESTELLO SKIMMER CON TA		8	4402014101	GUARNIZIONE PISCINA PREF	
4	4402010103	CESTELLO SKIMMER		9	* 4402010408	FLANGIA BOCCA SKIMMER PER PISCINA IN	
5	4402010102	ALETTA PARZIALIZZATRICE SKIMMER		9	* 4402010100	FLANGIA BOCCA SKIMMER PER PISCINA IN	
6	* 4402010101	BATTENTE SKIMMER CON PERNO		9	* 4402010125	FLANGIA BOCCA SKIMMER PER PISCINA IN	
6	* 4402010026	BATTENTE SKIMMER CON PERNO		9	* 4402010124	FLANGIA BOCCA SKIMMER PER PISCINA IN	
6	* 4402010030	BATTENTE SKIMMER CON PERNO					

CODICE **01464, 01464CL090, 01464CL129, 01464CL144**

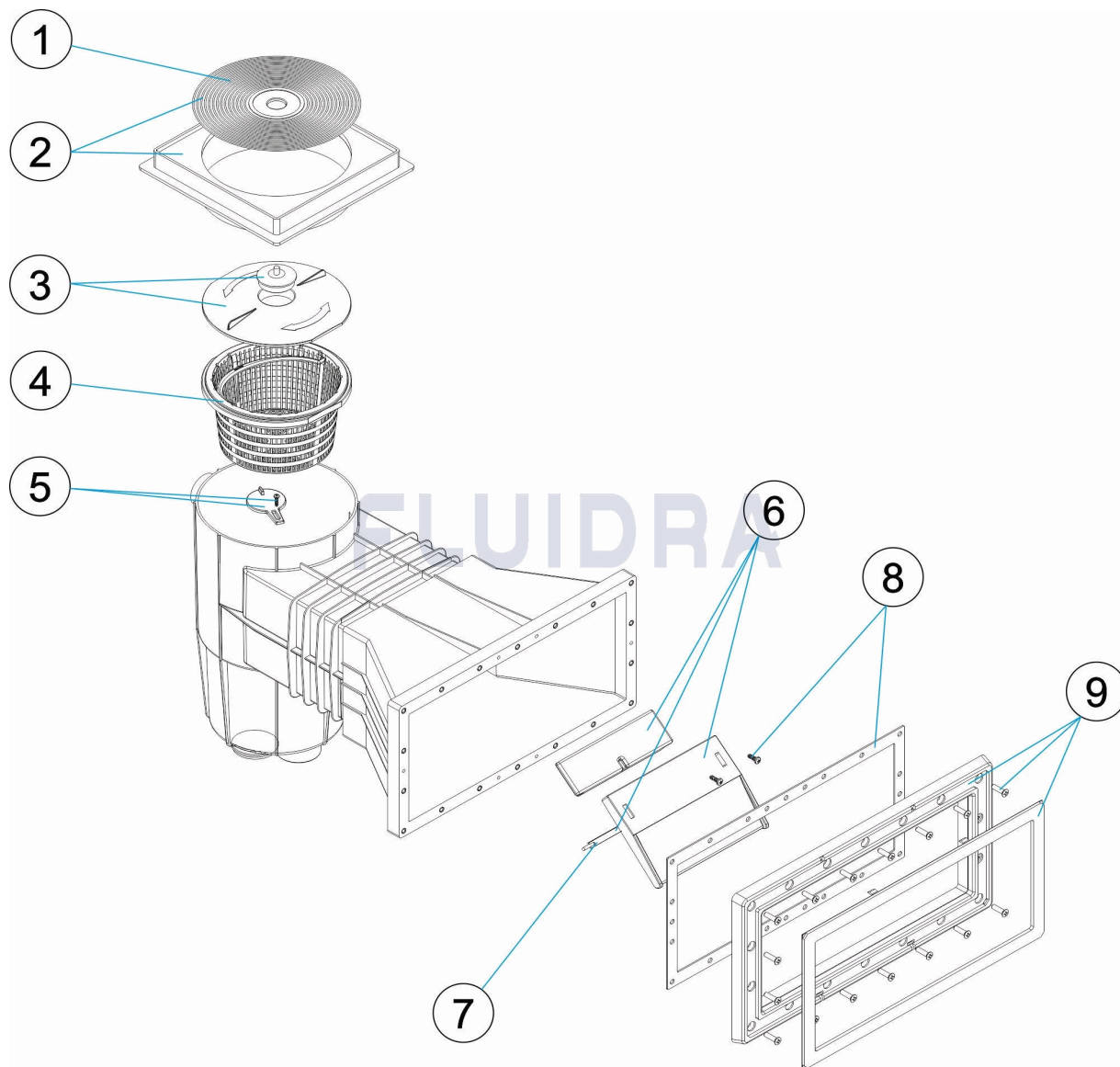
DESCRIZIONE: SKIMMER 15L PP B. AMPLIAZIONE TAPPO QUADRATO

OSSERVAZIONI

POS	CODICE	OSSERVAZIONI
6	* 4402010101	PER: 01464 WHITE
6	* 4402010026	PER: 01464CL090 BEIGE
6	* 4402010030	PER: 01464CL129 GREY
6	* 4402010072	PER: 01464CL144 ANTHRACITE
9	* 4402010408	PER: 01464 WHITE
9	* 4402010100	PER: 01464CL090 BEIGE
9	* 4402010125	PER: 01464CL129 GREY
9	* 4402010124	PER: 01464CL144 ANTHRACITE

CODE **01464, 01464CL090, 01464CL129, 01464CL144**

BESCHREIBUNG: **SKIMMER 15L PP. EINLASS ERWEITERT ABDECKUNG QUADRATISCH**



DEUTSCH

POS	CODE	BESCHREIBUNG	MENGE	POS	CODE	BESCHREIBUNG	MENGE
1	4402010108	ABDECKUNG RUND SKIMMER	6	* 4402010072	SKIMMERKLAPPE SCHARNIER		
2	4402010106	ABDECKUNG UND RING SKIMMER QUADR	7	4402010110	SCHARNIER Klappe		
3	4402010104	ABDECKUNG SKIMMKORB MIT STOPFEN	8	4402014101	DICHTUNG FERTIGBECKEN		
4	4402010103	SKIMMERKORB	9	* 4402010408	RAHMEN SKIMMEREINLASS FERTIGBECKE		
5	4402010102	ABDECKKAPPE	9	* 4402010100	RAHMEN SKIMMEREINLASS FERTIGBECKE		
6	* 4402010101	SKIMMERKLAPPE SCHARNIER	9	* 4402010125	RAHMEN SKIMMEREINLASS FERTIGBECKE		
6	* 4402010026	SET SKIMMERKLAPPE MIT SCHWIMMER	9	* 4402010124	RAHMEN SKIMMEREINLASS FERTIGBECKE		
6	* 4402010030	SET SKIMMERKLAPPE MIT SCHWIMMER					

CODE **01464, 01464CL090, 01464CL129, 01464CL144**

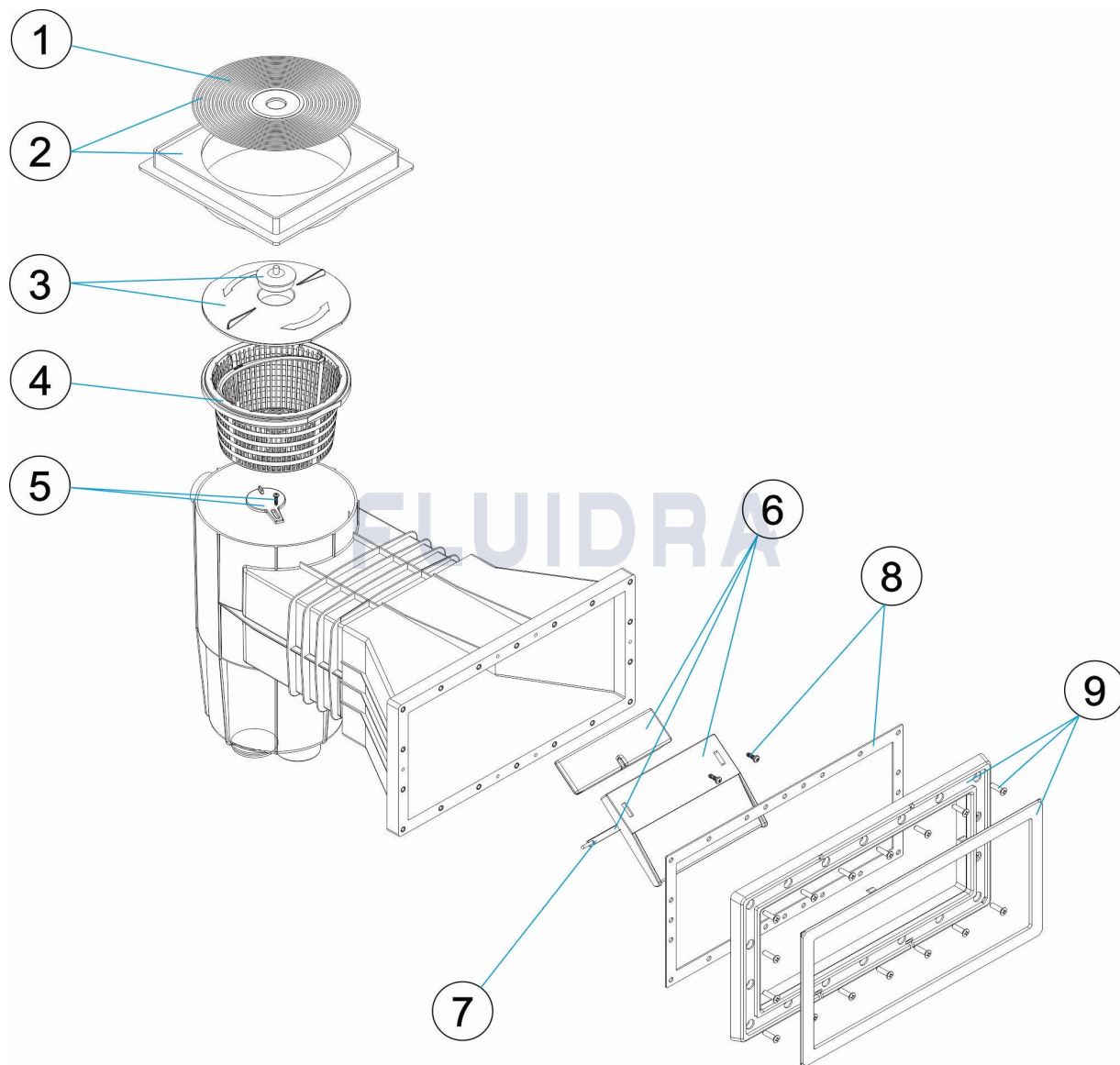
BESCHREIBUNG: **SKIMMER 15L PP. EINLASS ERWEITERT ABDECKUNG QUADRATISCH**

HINWEISE

POS	CODE	HINWEISE
6	* 4402010101	FÜR: 01464 WHITE
6	* 4402010026	FÜR: 01464CL090 BEIGE
6	* 4402010030	FÜR: 01464CL129 GREY
6	* 4402010072	FÜR: 01464CL144 ANTHRACITE
9	* 4402010408	FÜR: 01464 WHITE
9	* 4402010100	FÜR: 01464CL090 BEIGE
9	* 4402010125	FÜR: 01464CL129 GREY
9	* 4402010124	FÜR: 01464CL144 ANTHRACITE

CODIGO **01464, 01464CL090, 01464CL129, 01464CL144**

DESCRIÇÃO: **SKIMMER 15 L PP. B. AMPLIAÇÃO TAMPA QUADRADA**



PORTUGUES

POS	CODIGO	DESCRIÇÃO	JANTIDADE	POS	CODIGO	DESCRIÇÃO	JANTIDADE
1	4402010108	TAMPA CIRCULAR SKIMMER		6	* 4402010072	COMPORTA SKIMMER BISAGRA	
2	4402010106	TAMPA E ARO QUADRADO SKIMMER		7	4402010110	DOBRADIÇA COMPORTA	
3	4402010104	TAMPA CESTO SKIMMER		8	4402014101	JUNTA RALO PISCINA PRÉ-FABRICADA	
4	4402010103	CESTO SKIMMER		9	* 4402010408	CAIXILHO BOCA SKIMMER	
5	4402010102	CLAPETA SKIMMER		9	* 4402010100	CAIXILHO BOCA SKIMMER	
6	* 4402010101	COMPORTA SKIMMER BISAGRA		9	* 4402010125	CAIXILHO BOCA SKIMMER	
6	* 4402010026	COMPORTA SKIMMER BISAGRA		9	* 4402010124	CAIXILHO BOCA SKIMMER	
6	* 4402010030	COMPORTA SKIMMER BISAGRA					

CODIGO 01464, 01464CL090, 01464CL129, 01464CL144

DESCRIÇÃO: SKIMMER 15 L PP. B. AMPLIAÇÃO TAMPA QUADRADA

OBSERVAÇÕES

POS	CODIGO	OBSERVAÇÕES
6	* 4402010101	PARA: 01464 WHITE
6	* 4402010026	PARA: 01464CL090 BEIGE
6	* 4402010030	PARA: 01464CL129 GREY
6	* 4402010072	PARA: 01464CL144 ANTHRACITE
9	* 4402010408	PARA: 01464 WHITE
9	* 4402010100	PARA: 01464CL090 BEIGE
9	* 4402010125	PARA: 01464CL129 GREY
9	* 4402010124	PARA: 01464CL144 ANTHRACITE