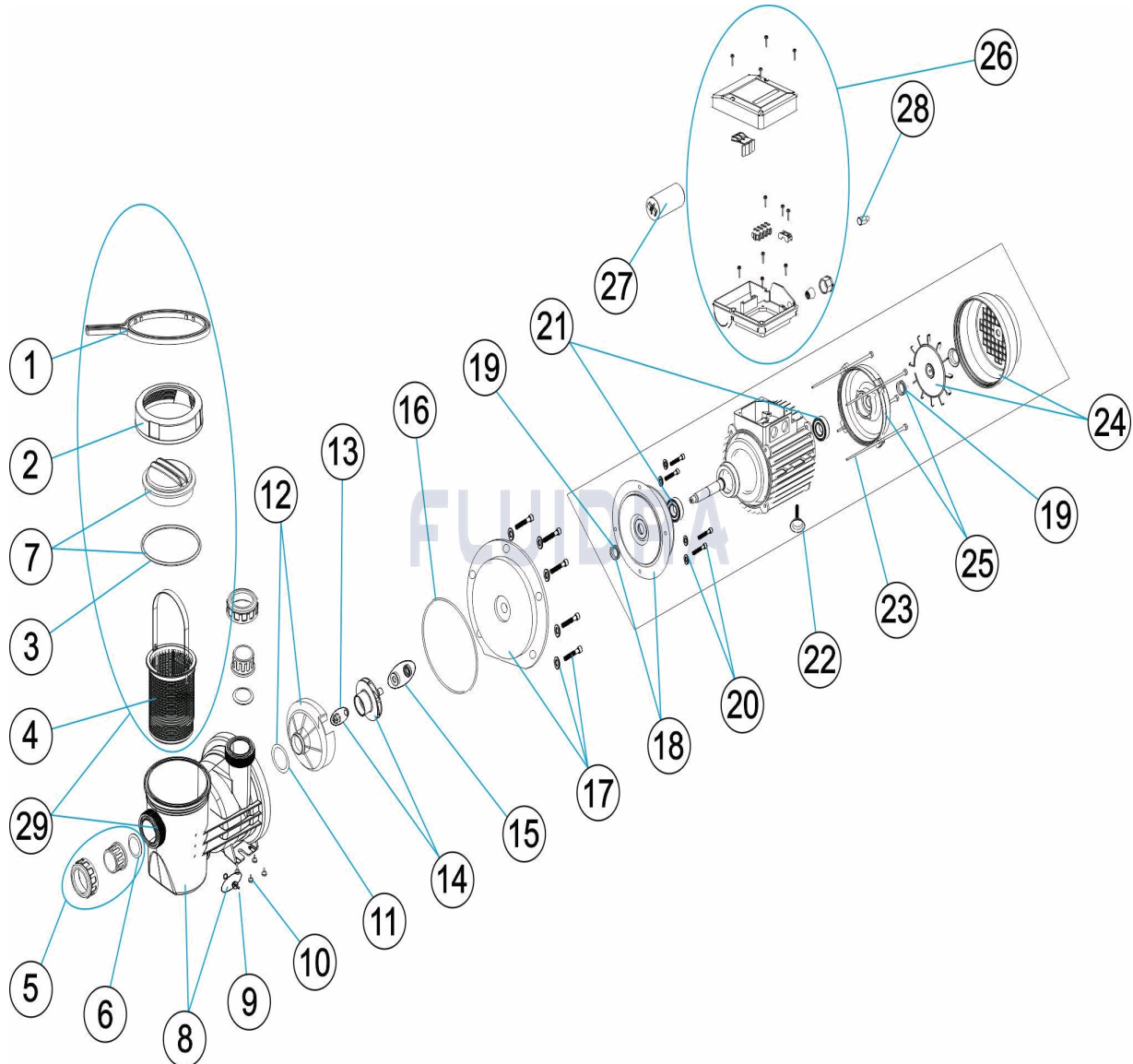


CODIGO HGS051M, HGS053M, HGS071M, HGS073M, HGS101M, HGS103M,
HGS151M, HGS153M, HGS201M, HGS203M, HGS251M, HGS301M,
HGS303M

DESCRIPCION: BOMBAS HGS



ESPAÑOL

POS	CODIGO	DESCRIPCION	CANTIDAD	POS	CODIGO	DESCRIPCION	CANTIDAD
1	CE04130103	LLAVE TUERCA FILTRO		13	CE05010134	TAPÓN RODETE M8 IZQUIERDA	
2	CE05012401	TUERCA TAPA PREFILTRO NEGRA		14	* CE05012015	RODETE 1/2 CV II	
3	CE05010178	JUNTA TORICA D. 151,7X6,99		14	* CE05012016	RODETE ¼ CV II	
4	CE05012004	CESTO PREFILTRO		14	* CE05012017	RODETE 1 CV II	
5	* CE05012005	ACCESORIOS ENLACE D. 50		14	* CE05012018	RODETE 1 1/2 CV II	
5	* CE05012006	ACCESORIOS ENLACE D. 1 ½"		14	* CE05012019	RODETE 2 CV II	
5	* CE05012007	ACCESORIOS ENLACE D. 63		14	* CE05012020	RODETE 2 1/2 CV II	
5	* CE05012008	ACCESORIOS ENLACE D. 2"		14	* CE05012021	RODETE 3 CV II	
6	CE05010773	JUNTA TORICA MANGUITO		14	* CE05012022	RODETE 1/2 CV III	
7	CE05012054	TAPA PREFILTRO CON JUNTA		14	* CE05012023	RODETE ¼ CV III	
8	CE05012055	CUERPO BOMBA		14	* CE05012024	RODETE 1 CV III	

*** NOTA OBSERVACIONES**

CODIGO **HGS051M, HGS053M, HGS071M, HGS073M, HGS101M, HGS103M, HGS151M, HGS153M, HGS201M, HGS203M, HGS251M, HGS301M, HGS303M**

DESCRIPCION: BOMBAS HGS

9	CE04121107	TAPON ¼ VALVULA	14	* CE05012025	RODETE 1 1/2 CV III
10	CE05012012	TOPE GOMA HGS-HPS	14	* CE05012026	RODETE 2 CV III
11	CE05012013	JUNTA TORICA 47,63X3,54	14	* CE05012027	RODETE 3 CV III
12	CE05012014	DIFUSOR	15	CE05012028	JUNTA MECANICA
16	CE05012029	JUNTA PLANA 193X5X11,5	24	* CE05010148	CJTO. VENTILADOR-TAPA 1,5 - 2 - 3 HP III
17	* CE05012030	BRIDA SOPORTE MOTOR C.71	24	* CE05012042	CJTO. VENTILADOR-TAPA
17	* CE05012031	BRIDA SOPORTE MOTOR C.80	24	* CE05010170	CJTO. VENTILADOR-TAPA 3 HP II
18	* CE05012032	BRIDA MECANICA C.71 C/CAJERA D35 NEC	25	* CE05012043	TAPA MOTOR MEC. C.71 C/CAJERA D35
18	* CE05012033	BRIDA MECANICA C.80 C/CAJERA D47 NEC	25	* CE05012044	TAPA MOTOR MEC. C.80 C/CAJERA D47
18	* CE05012034	BRIDA MECANICA C.90 C/CAJERA D52 NEC	25	* CE05012045	TAPA MOTOR MEC. C.80 C/CAJERA D47 PAI
19	* CE05010158	V-RINGS 0,5 HP - 1 HP	25	* CE05012046	TAPA MOTOR MEC. C.90 C/CAJERA D52
19	* CE05010159	V-RINGS 1,5 HP - 3 HP	26	* CE05012047	CJTO. CAJA BORNES (MOTOR II) C.71
19	* CE05010176	V-RING VA-2,5 - 3 HP II	26	* CE05012048	CJTO. CAJA BORNES (MOTOR II) C.80
20	* CE05012035	TORNILLOS FIJACION BRIDA C.71	26	* CE05012049	CJTO. CAJA BORNES (MOTOR II) C.90
20	* CE05012036	TORNILLOS FIJACION BRIDA C.80	26	* CE05012050	CJTO. CAJA BORNES (MOTOR III) C.71
21	* CE05012037	RODAMIENTO DEL. TRAS. 1/2 A 1,5 CV	26	* CE05012051	CJTO. CAJA BORNES (MOTOR III) C.80
21	* CE05012038	RODAMIENTO DEL 2-3 CV 6204 ZRS	27	* CE05010149	CONDENSADOR 12 UF 1/2 CV
21	* CE05012039	RODAMIENTO DELANTERO Y TRASERO	27	* CE05020121	CONDENSADOR 14 UF 3/4 CV
22	* CE05012040	PIE MOTOR M6X53 C.71	27	* CE05020122	CONDENSADOR 16 UF 1 CV
22	* CE05012041	PIE MOTOR M6X45 C.80	27	* CE05010150	CONDENSADOR 18 UF 1,5 CV
22	* CE05012114	PIE MOTOR M-6X35 C. 90	27	* CE05010174	CONDENSADOR 32 UF 2 CV
23	* CE05010144	VARILLAS MOTOR 0,75 - 1 HP	27	* CE05010175	CONDENSADOR 40 UF 2,5-3 CV
23	* CE05010145	VARILLAS MOTOR 1,5 - 3 HP III	28	* CE05012052	PROTECTOR TERMICO REARMABLE (2,5H)
23	* CE05010169	VARILLAS MOTOR (90) 3 HP II	28	* CE05012053	PROTECTOR TERMICO REARMABLE (2,5-3)
24	* CE05010147	CJTO. VENTILADOR-TAPA 0,75 - 1 HP	29	CE05012056	CJTO. PREFILTRO

CODIGO **HGS051M, HGS053M, HGS071M, HGS073M, HGS101M, HGS103M, HGS151M, HGS153M, HGS201M, HGS203M, HGS251M, HGS301M, HGS303M**

DESCRIPCION: BOMBAS HGS

OBSERVACIONES

POS	CODIGO	OBSERVACIONES
5	* CE05012005	PARA: HGS051M, HGS053M, HGS071M, HGS073M, HGS101M, HGS103M
5	* CE05012006	PARA: HGS051M, HGS053M, HGS071M, HGS073M, HGS101M, HGS103M
5	* CE05012007	PARA: HGS151M, HGS153M, HGS201M, HGS203M, HGS251M, HGS301M, HGS303M
5	* CE05012008	PARA: HGS151M, HGS153M, HGS201M, HGS203M, HGS251M, HGS301M, HGS303M
14	* CE05012015	PARA: HGS051M
14	* CE05012016	PARA: HGS071M
14	* CE05012017	PARA: HGS101M
14	* CE05012018	PARA: HGS151M
14	* CE05012019	PARA: HGS201M
14	* CE05012020	PARA: HGS251M
14	* CE05012021	PARA: HGS301M
14	* CE05012022	PARA: HGS053M
14	* CE05012023	PARA: HGS073M
14	* CE05012024	PARA: HGS103M
14	* CE05012025	PARA: HGS153M
14	* CE05012026	PARA: HGS203M
14	* CE05012027	PARA: HGS303M
17	* CE05012030	PARA: HGS051M, HGS053M, HGS071M, HGS073M, HGS101M, HGS103M
17	* CE05012031	PARA: HGS151M, HGS153M, HGS201M, HGS203M, HGS251M, HGS301M, HGS303M
18	* CE05012032	PARA: HGS051M, HGS053M, HGS071M, HGS073M, HGS101M, HGS103M
18	* CE05012033	PARA: HGS151M, HGS153M, HGS201M, HGS203M, HGS251M, HGS303M
18	* CE05012034	PARA: HGS301M
19	* CE05010158	PARA: HGS051M, HGS053M, HGS071M, HGS073M, HGS101M, HGS103M
19	* CE05010159	PARA: HGS151M, HGS153M, HGS201M, HGS203M, HGS251M, HGS303M
19	* CE05010176	PARA: HGS301M
20	* CE05012035	PARA: HGS051M, HGS053M, HGS071M, HGS073M, HGS101M, HGS103M
20	* CE05012036	PARA: HGS151M, HGS153M, HGS201M, HGS203M, HGS251M, HGS301M, HGS303M
21	* CE05012037	PARA: HGS051M, HGS053M, HGS071M, HGS073M, HGS101M, HGS103M
21	* CE05012038	PARA: HGS151M, HGS153M, HGS201M, HGS203M, HGS251M, HGS303M
21	* CE05012039	PARA: HGS301M
22	* CE05012040	PARA: HGS051M, HGS053M, HGS071M, HGS073M, HGS101M, HGS103M
22	* CE05012041	PARA: HGS151M, HGS153M, HGS201M, HGS203M, HGS251M, HGS303M
22	* CE05012114	PARA: HGS301M
23	* CE05010144	PARA: HGS051M, HGS053M, HGS071M, HGS073M, HGS101M, HGS103M
23	* CE05010145	PARA: HGS151M, HGS153M, HGS201M, HGS203M, HGS251M, HGS303M
23	* CE05010169	PARA: HGS301M
24	* CE05010147	PARA: HGS051M, HGS053M, HGS071M, HGS073M, HGS101M, HGS103M
24	* CE05010148	PARA: HGS151M, HGS153M, HGS201M, HGS203M, HGS303M
24	* CE05012042	PARA: HGS251M
24	* CE05010170	PARA: HGS301M
25	* CE05012043	PARA: HGS051M, HGS053M, HGS071M, HGS073M, HGS101M, HGS103M
25	* CE05012044	PARA: HGS151M, HGS153M, HGS201M, HGS203M, HGS303M

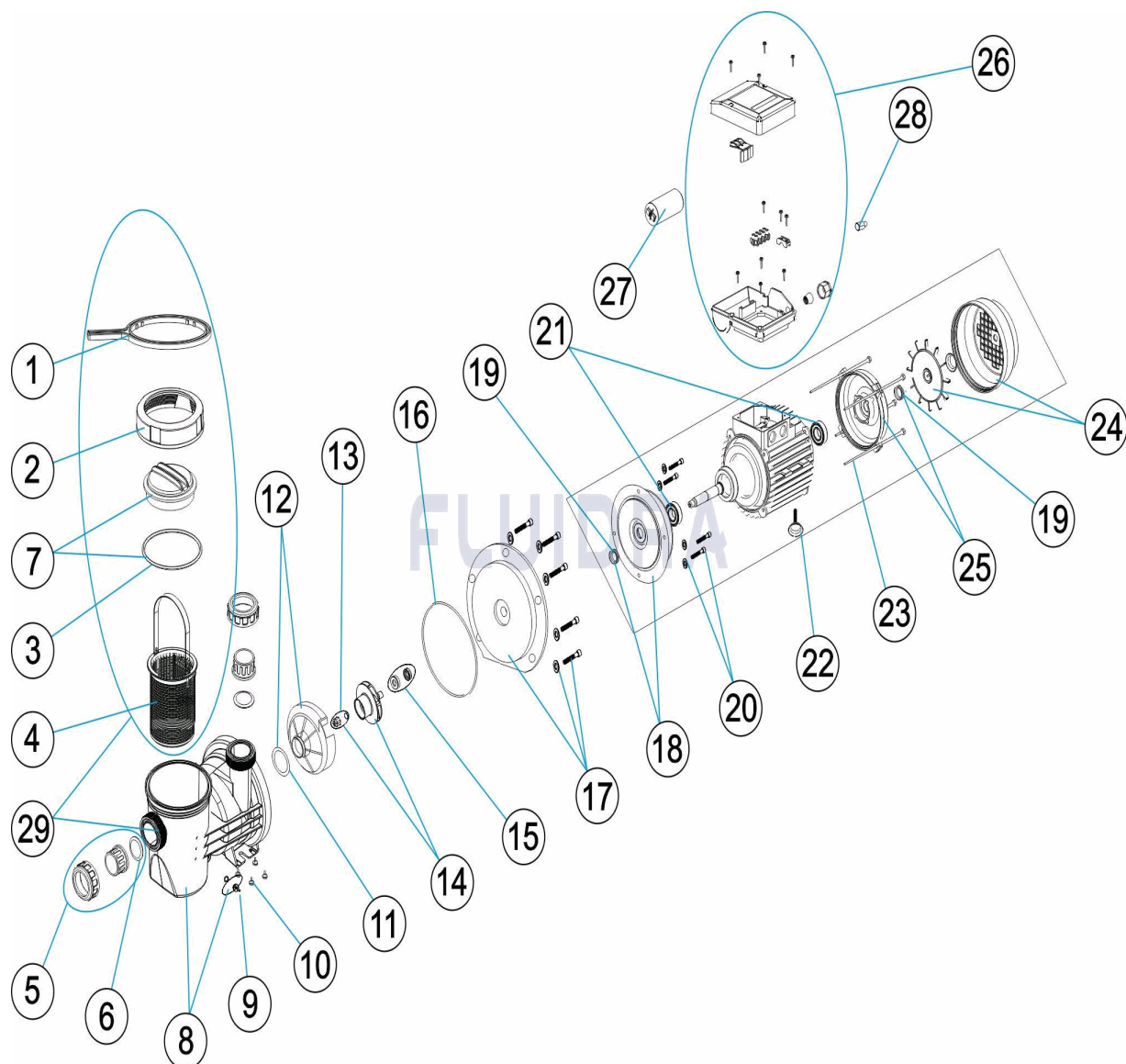
CODIGO **HGS051M, HGS053M, HGS071M, HGS073M, HGS101M, HGS103M,
HGS151M, HGS153M, HGS201M, HGS203M, HGS251M, HGS301M,
HGS303M**

DESCRIPCION: BOMBAS HGS

25	* CE05012045	PARA: HGS251M
25	* CE05012046	PARA: HGS301M
26	* CE05012047	PARA: HGS051M, HGS071M, HGS101M
26	* CE05012048	PARA: HGS151M, HGS201M, HGS251M
26	* CE05012049	PARA: HGS301M
26	* CE05012050	PARA: HGS053M, HGS073M, HGS103M
26	* CE05012051	PARA: HGS153M, HGS203M, HGS303M
27	* CE05010149	PARA: HGS051M
27	* CE05020121	PARA: HGS071M
27	* CE05020122	PARA: HGS101M
27	* CE05010150	PARA: HGS151M
27	* CE05010174	PARA: HGS201M
27	* CE05010175	PARA: HGS251M, HGS301M
28	* CE05012052	PARA: HGS251M
28	* CE05012053	PARA: HGS301M

CODE **HGS051M, HGS053M, HGS071M, HGS073M, HGS101M, HGS103M, HGS151M, HGS153M, HGS201M, HGS203M, HGS251M, HGS301M, HGS303M**

DESCRIPTION: **POMPE HGS**



FRANCAIS

POS	CODE	DESCRIPTION	QUANTITE	POS	CODE	DESCRIPTION	QUANTITE
1	CE04130103	CLE ECROU DE FILTRE		13	CE05010134	BOUCHON BOUT AXE M8 IZQ.	
2	CE05012401	ECROU COUVERCLE PRÉFILTRE		14	* CE05012015	TURBINE 1/2 HP II	
3	CE05010178	JOINT TORIQUE D 151,7X6,99		14	* CE05012016	TURBINE 3/4 HP II	
4	CE05012004	PANIER PRÉFILTRE		14	* CE05012017	TURBINE 1 CV II	
5	* CE05012005	RACCORDS UNION D 50		14	* CE05012018	TURBINE 1 1/2 CV II	
5	* CE05012006	RACCORDS UNION D 1 1/2"		14	* CE05012019	TURBINE 2 HP II	
5	* CE05012007	RACCORDS UNION D 63		14	* CE05012020	TURBINE 2 1/2 HP II	
5	* CE05012008	RACCORDS UNION D 2"		14	* CE05012021	TURBINE 3 HP II	
6	CE05010773	JOINT TORIQUE MANCHON		14	* CE05012022	TURBINE 1/2 HP III	
7	CE05012054	COUVERCLE PRÉFILTRE AVEC JOINT		14	* CE05012023	TURBINE 3/4 HP III	
8	CE05012055	CORPS POMPE		14	* CE05012024	TURBINE 1 CV III	

*** VOIR FICHE D'OBSERVATIONS**

CODE **HGS051M, HGS053M, HGS071M, HGS073M, HGS101M, HGS103M, HGS151M, HGS153M, HGS201M, HGS203M, HGS251M, HGS301M, HGS303M**

DESCRIPTION: **POMPE HGS**

9	CE04121107	BOUCHON 1/4' DE VANNE	14	* CE05012025	TURBINE 1 1/2 CV III
10	CE05012012	SILENT-BLOCK	14	* CE05012026	TURBINE 2 HP III
11	CE05012013	JOINT TORIQUE 47,63X3,54	14	* CE05012027	TURBINE 3 HP III
12	CE05012014	DIFFUSEUR	15	CE05012028	GARNITURE MÉCANIQUE
16	CE05012029	JOINT PLAT 193X5X11,5	24	* CE05010148	ENSEMBLE COUVERCLE VENTILATEUR 1,5
17	* CE05012030	BRIDE SUPPORT MOTEUR C.71	24	* CE05012042	ENSEMBLE COUVERCLE VENTILATEUR
17	* CE05012031	BRIDE SUPPORT MOTEUR C.80	24	* CE05010170	ENSEMBLE COUVERCLE VENTILATEUR 3 F
18	* CE05012032	BRIDE MEC C.71 AVEC EMBOITEMENT D.3	25	* CE05012043	COUVERCLE MOTEUR MEC. C.71 ET RAINL
18	* CE05012033	BRIDE MEC C.80 AVEC EMBOITEMENT D.4	25	* CE05012044	COUVERCLE MOTEUR MEC. C.80 ET RAINL
18	* CE05012034	BRIDE MEC C.90 AVEC EMBOITEMENT D.5	25	* CE05012045	COUVERCLE MOTEUR MEC. C.80 ET RAINL
19	* CE05010158	V-RINGS 0,5 HP - 1 HP	25	* CE05012046	COUVERCLE MOTEUR MEC. C.90 ET RAINL
19	* CE05010159	V-RINGS 1,5 HP - 3 HP	26	* CE05012047	ENSEMBLE CAISSON BORNES (MOTEUR II
19	* CE05010176	V-RINGS VA-2,5 - 3 HP II	26	* CE05012048	ENSEMBLE CAISSON BORNES (MOTEUR II
20	* CE05012035	VIS FIXATION BRIDE C.71	26	* CE05012049	ENSEMBLE CAISSON BORNES (MOTEUR II
20	* CE05012036	VIS FIXATION BRIDE C.80	26	* CE05012050	ENSEMBLE CAISSON BORNES (MOTEUR II
21	* CE05012037	ROULEMENT AVANT & ARRIÈRE	26	* CE05012051	ENSEMBLE CAISSON BORNES (MOTEUR II
21	* CE05012038	ROULEMENT AVANT & ARRIÈRE	27	* CE05010149	CONDENSATEUR 12 UF 1/2 CV
21	* CE05012039	ROULEMENT AVANT & ARRIÈRE	27	* CE05020121	CONDENSATEUR 14 UF 3/4 CV
22	* CE05012040	PIED MOTEUR M6X53 C.71	27	* CE05020122	CONDENSATEUR 16 UF 1 CV
22	* CE05012041	PIED MOTEUR M6X45 C.80	27	* CE05010150	CONDENSATEUR 18 UF
22	* CE05012114	PIED MOTEUR M-6X35 C. 90	27	* CE05010174	CONDENSATEUR 32 ?F 2 CV
23	* CE05010144	TIRANTS D'ACCOUPLLEMENT MOTEUR 0,7!	27	* CE05010175	CONDENSATEUR 40 ?F 2,5-3 CV
23	* CE05010145	TIRANTS D'ACCOUPLLEMENT MOTEUR 1,5	28	* CE05012052	PROTECTEUR THERMIQUE À RÉARMEMEN
23	* CE05010169	TIRANTS D'ACCOUPLLEMENT MOTEUR (90)	28	* CE05012053	PROTECTEUR THERMIQUE À RÉARMEMEN
24	* CE05010147	ENSEMBLE COUVERCLE VENTILATEUR 0,	29	CE05012056	KIT PRÉ FILTER COMPLET

CODE **HGS051M, HGS053M, HGS071M, HGS073M, HGS101M, HGS103M,
 HGS151M, HGS153M, HGS201M, HGS203M, HGS251M, HGS301M,
 HGS303M**

DESCRIPTION: POMPE HGS

OBSERVATIONS

POS	CODE	OBSERVATIONS
5	* CE05012005	POUR: HGS051M, HGS053M, HGS071M, HGS073M, HGS101M, HGS103M
5	* CE05012006	POUR: HGS051M, HGS053M, HGS071M, HGS073M, HGS101M, HGS103M
5	* CE05012007	POUR: HGS151M, HGS153M, HGS201M, HGS203M, HGS251M, HGS301M, HGS303M
5	* CE05012008	POUR: HGS151M, HGS153M, HGS201M, HGS203M, HGS251M, HGS301M, HGS303M
14	* CE05012015	POUR: HGS051M
14	* CE05012016	POUR: HGS071M
14	* CE05012017	POUR: HGS101M
14	* CE05012018	POUR: HGS151M
14	* CE05012019	POUR: HGS201M
14	* CE05012020	POUR: HGS251M
14	* CE05012021	POUR: HGS301M
14	* CE05012022	POUR: HGS053M
14	* CE05012023	POUR: HGS073M
14	* CE05012024	POUR: HGS103M
14	* CE05012025	POUR: HGS153M
14	* CE05012026	POUR: HGS203M
14	* CE05012027	POUR: HGS303M
17	* CE05012030	POUR: HGS051M, HGS053M, HGS071M, HGS073M, HGS101M, HGS103M
17	* CE05012031	POUR: HGS151M, HGS153M, HGS201M, HGS203M, HGS251M, HGS301M, HGS303M
18	* CE05012032	POUR: HGS051M, HGS053M, HGS071M, HGS073M, HGS101M, HGS103M
18	* CE05012033	POUR: HGS151M, HGS153M, HGS201M, HGS203M, HGS251M, HGS303M
18	* CE05012034	POUR: HGS301M
19	* CE05010158	POUR: HGS051M, HGS053M, HGS071M, HGS073M, HGS101M, HGS103M
19	* CE05010159	POUR: HGS151M, HGS153M, HGS201M, HGS203M, HGS251M, HGS303M
19	* CE05010176	POUR: HGS301M
20	* CE05012035	POUR: HGS051M, HGS053M, HGS071M, HGS073M, HGS101M, HGS103M
20	* CE05012036	POUR: HGS151M, HGS153M, HGS201M, HGS203M, HGS251M, HGS301M, HGS303M
21	* CE05012037	POUR: HGS051M, HGS053M, HGS071M, HGS073M, HGS101M, HGS103M
21	* CE05012038	POUR: HGS151M, HGS153M, HGS201M, HGS203M, HGS251M, HGS303M
21	* CE05012039	POUR: HGS301M
22	* CE05012040	POUR: HGS051M, HGS053M, HGS071M, HGS073M, HGS101M, HGS103M
22	* CE05012041	POUR: HGS151M, HGS153M, HGS201M, HGS203M, HGS251M, HGS303M
22	* CE05012114	POUR: HGS301M
23	* CE05010144	POUR: HGS051M, HGS053M, HGS071M, HGS073M, HGS101M, HGS103M
23	* CE05010145	POUR: HGS151M, HGS153M, HGS201M, HGS203M, HGS251M, HGS303M
23	* CE05010169	POUR: HGS301M
24	* CE05010147	POUR: HGS051M, HGS053M, HGS071M, HGS073M, HGS101M, HGS103M
24	* CE05010148	POUR: HGS151M, HGS153M, HGS201M, HGS203M, HGS303M
24	* CE05012042	POUR: HGS251M
24	* CE05010170	POUR: HGS301M
25	* CE05012043	POUR: HGS051M, HGS053M, HGS071M, HGS073M, HGS101M, HGS103M
25	* CE05012044	POUR: HGS151M, HGS153M, HGS201M, HGS203M, HGS303M

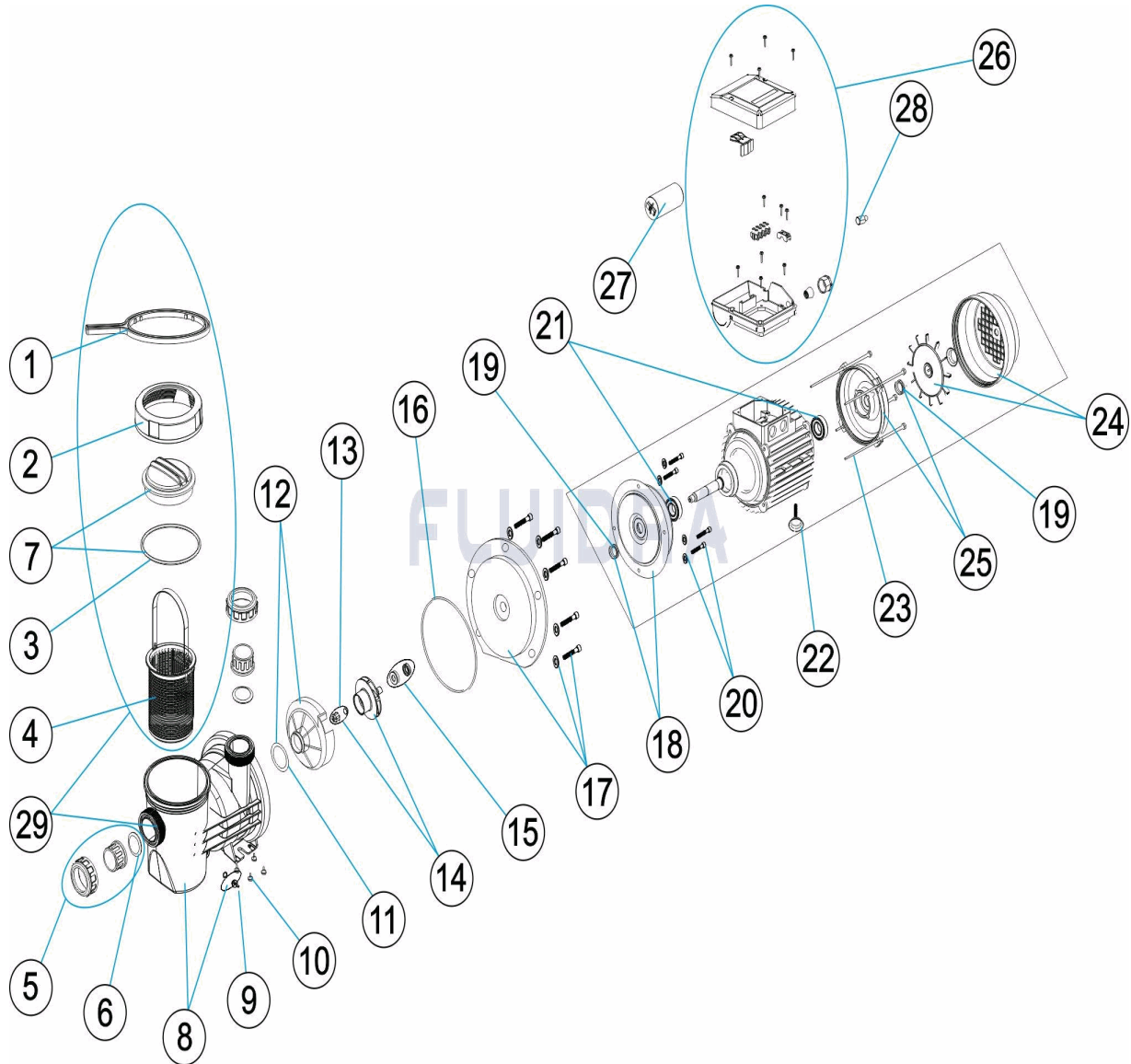
CODE **HGS051M, HGS053M, HGS071M, HGS073M, HGS101M, HGS103M,
HGS151M, HGS153M, HGS201M, HGS203M, HGS251M, HGS301M,
HGS303M**

DESCRIPTION: **POMPE HGS**

25	* CE05012045	POUR: HGS251M
25	* CE05012046	POUR: HGS301M
26	* CE05012047	POUR: HGS051M, HGS071M, HGS101M
26	* CE05012048	POUR: HGS151M, HGS201M, HGS251M
26	* CE05012049	POUR: HGS301M
26	* CE05012050	POUR: HGS053M, HGS073M, HGS103M
26	* CE05012051	POUR: HGS153M, HGS203M, HGS303M
27	* CE05010149	POUR: HGS051M
27	* CE05020121	POUR: HGS071M
27	* CE05020122	POUR: HGS101M
27	* CE05010150	POUR: HGS151M
27	* CE05010174	POUR: HGS201M
27	* CE05010175	POUR: HGS251M, HGS301M
28	* CE05012052	POUR: HGS251M
28	* CE05012053	POUR: HGS301M

CODE

**HGS051M, HGS053M, HGS071M, HGS073M, HGS101M, HGS103M,
 HGS151M, HGS153M, HGS201M, HGS203M, HGS251M, HGS301M,
 HGS303M**

 DESCRIPTION: **HGS PUMP**

ENGLISH

POS	CODE	DESCRIPTION	QUANTITY	POS	CODE	DESCRIPTION	QUANTITY
1	CE04130103	LID SPANNER		13	CE05010134	IMPELLER COVER M8 LEFT	
2	CE05012401	PRE-FILTER COVER NUT		14	* CE05012015	IMPELLER 1/2 CV II	
3	CE05010178	O' RING D 151,7X6,99		14	* CE05012016	IMPELLER 3/4 CV II	
4	CE05012004	PRE-FILTER BASKET		14	* CE05012017	IMPELLER 1 CV II	
5	* CE05012005	UNION FITTINGS D 50		14	* CE05012018	IMPELLER 1 1/2 CV II	
5	* CE05012006	UNION FITTINGS D 1 1/2"		14	* CE05012019	IMPELLER 2 CV II	
5	* CE05012007	UNION FITTINGS D 63		14	* CE05012020	IMPELLER 2 1/2 CV II	
5	* CE05012008	UNION FITTINGS D 2"		14	* CE05012021	IMPELLER 3 CV II	
6	CE05010773	SOCKET O'RING		14	* CE05012022	IMPELLER 1/2 CV III	
7	CE05012054	PRE-FILTER COVER WITH GASKET		14	* CE05012023	IMPELLER 3/4 CV III	
8	CE05012055	PUMP HOUSING		14	* CE05012024	IMPELLER 1 CV III	

CODE **HGS051M, HGS053M, HGS071M, HGS073M, HGS101M, HGS103M,
HGS151M, HGS153M, HGS201M, HGS203M, HGS251M, HGS301M,
HGS303M**

DESCRIPTION: **HGS PUMP**

9	CE04121107	PLUG 1/4'	14	* CE05012025	IMPELLER 1 1/2 CV III
10	CE05012012	SILENBLOCK	14	* CE05012026	IMPELLER 2 CV III
11	CE05012013	O' RING 47,63X3,54	14	* CE05012027	IMPELLER 3 CV III
12	CE05012014	DIFFUSER	15	CE05012028	MECHANICAL SEAL
16	CE05012029	FLAT GASKET 193X5X11,5	24	* CE05010148	FAN COVER ASSEMBLY 1,5 - 2 - 3 HP III
17	* CE05012030	MOTOR BRIDLE C.71	24	* CE05012042	FAN+COVER ASSEMBLY
17	* CE05012031	MOTOR BRIDLE C.80	24	* CE05010170	FAN COVER ASSEMBLY 3 HP II
18	* CE05012032	MEC. MOTOR BRIDLE C.71	25	* CE05012043	MEC. MOTOR COVER C.71
18	* CE05012033	MEC. MOTOR BRIDLE C.80	25	* CE05012044	MEC. MOTOR COVER C.80
18	* CE05012034	MEC. MOTOR BRIDLE C.90	25	* CE05012045	MEC. MOTOR COVER C.80 - 2 1/2 HP
19	* CE05010158	V-RINGS 0,5 HP - 1 HP	25	* CE05012046	MEC. MOTOR COVER C.90
19	* CE05010159	V-RINGS 1,5 HP - 3 HP	26	* CE05012047	TERMINAL BOX ASSEMBLY (MOTOR II) C.71
19	* CE05010176	V-RINGS VA-2,5 - 3 HP II	26	* CE05012048	TERMINAL BOX ASSEMBLY (MOTOR II) C.80
20	* CE05012035	SCREWS FIXING DIVING BRIDLE C.71	26	* CE05012049	TERMINAL BOX ASSEMBLY (MOTOR II) C.90
20	* CE05012036	SCREWS FIXING DIVING BRIDLE C.80	26	* CE05012050	TERMINAL BOX ASSEMBLY (MOTOR III) C.7
21	* CE05012037	FRONT & REAR BEARING	26	* CE05012051	TERMINAL BOX ASSEMBLY (MOTOR III) C.8
21	* CE05012038	FRONT & REAR BEARING	27	* CE05010149	CONDENSER 12 UF 1/2 CV
21	* CE05012039	FRONT & REAR BEARING	27	* CE05020121	CONDENSER 14 UF 3/4 CV
22	* CE05012040	STAND BASE M6X53 C.71	27	* CE05020122	CONDENSER 16 UF 1 CV
22	* CE05012041	STAND BASE M6X45 C.71	27	* CE05010150	CONDENSER 18 UF 1,5 CV
22	* CE05012114	STAND BASE M-6X35 C. 90	27	* CE05010174	CONDENSER 32 ?F 2 CV
23	* CE05010144	MOTOR TIES 0,75 - 1 HP	27	* CE05010175	CONDENSER 40 ?F 2,5-3 CV
23	* CE05010145	MOTOR TIES 1,5 - 3 HP III	28	* CE05012052	RESETTABLE THERMAL PROTECTION (2,5
23	* CE05010169	MOTOR TIES (90) 3 HP II	28	* CE05012053	RESETTABLE THERMAL PROTECTION (2,5-
24	* CE05010147	FAN COVER ASSEMBLY 0,75 - 1 HP	29	CE05012056	PREFILTER ASSEMBLY KIT

CODE **HGS051M, HGS053M, HGS071M, HGS073M, HGS101M, HGS103M,
HGS151M, HGS153M, HGS201M, HGS203M, HGS251M, HGS301M,
HGS303M**

DESCRIPTION: **HGS PUMP**

OBSERVATIONS

POS	CODE	OBSERVATIONS
5	* CE05012005	FOR: HGS051M, HGS053M, HGS071M, HGS073M, HGS101M, HGS103M
5	* CE05012006	FOR: HGS051M, HGS053M, HGS071M, HGS073M, HGS101M, HGS103M
5	* CE05012007	FOR: HGS151M, HGS153M, HGS201M, HGS203M, HGS251M, HGS301M, HGS303M
5	* CE05012008	FOR: HGS151M, HGS153M, HGS201M, HGS203M, HGS251M, HGS301M, HGS303M
14	* CE05012015	FOR: HGS051M
14	* CE05012016	FOR: HGS071M
14	* CE05012017	FOR: HGS101M
14	* CE05012018	FOR: HGS151M
14	* CE05012019	FOR: HGS201M
14	* CE05012020	FOR: HGS251M
14	* CE05012021	FOR: HGS301M
14	* CE05012022	FOR: HGS053M
14	* CE05012023	FOR: HGS073M
14	* CE05012024	FOR: HGS103M
14	* CE05012025	FOR: HGS153M
14	* CE05012026	FOR: HGS203M
14	* CE05012027	FOR: HGS303M
17	* CE05012030	FOR: HGS051M, HGS053M, HGS071M, HGS073M, HGS101M, HGS103M
17	* CE05012031	FOR: HGS151M, HGS153M, HGS201M, HGS203M, HGS251M, HGS301M, HGS303M
18	* CE05012032	FOR: HGS051M, HGS053M, HGS071M, HGS073M, HGS101M, HGS103M
18	* CE05012033	FOR: HGS151M, HGS153M, HGS201M, HGS203M, HGS251M, HGS303M
18	* CE05012034	FOR: HGS301M
19	* CE05010158	FOR: HGS051M, HGS053M, HGS071M, HGS073M, HGS101M, HGS103M
19	* CE05010159	FOR: HGS151M, HGS153M, HGS201M, HGS203M, HGS251M, HGS303M
19	* CE05010176	FOR: HGS301M
20	* CE05012035	FOR: HGS051M, HGS053M, HGS071M, HGS073M, HGS101M, HGS103M
20	* CE05012036	FOR: HGS151M, HGS153M, HGS201M, HGS203M, HGS251M, HGS301M, HGS303M
21	* CE05012037	FOR: HGS051M, HGS053M, HGS071M, HGS073M, HGS101M, HGS103M
21	* CE05012038	FOR: HGS151M, HGS153M, HGS201M, HGS203M, HGS251M, HGS303M
21	* CE05012039	FOR: HGS301M
22	* CE05012040	FOR: HGS051M, HGS053M, HGS071M, HGS073M, HGS101M, HGS103M
22	* CE05012041	FOR: HGS151M, HGS153M, HGS201M, HGS203M, HGS251M, HGS303M
22	* CE05012114	FOR: HGS301M
23	* CE05010144	FOR: HGS051M, HGS053M, HGS071M, HGS073M, HGS101M, HGS103M
23	* CE05010145	FOR: HGS151M, HGS153M, HGS201M, HGS203M, HGS251M, HGS303M
23	* CE05010169	FOR: HGS301M
24	* CE05010147	FOR: HGS051M, HGS053M, HGS071M, HGS073M, HGS101M, HGS103M
24	* CE05010148	FOR: HGS151M, HGS153M, HGS201M, HGS203M, HGS303M
24	* CE05012042	FOR: HGS251M
24	* CE05010170	FOR: HGS301M
25	* CE05012043	FOR: HGS051M, HGS053M, HGS071M, HGS073M, HGS101M, HGS103M
25	* CE05012044	FOR: HGS151M, HGS153M, HGS201M, HGS203M, HGS303M

* SEE OBSERVATIONS SHEET

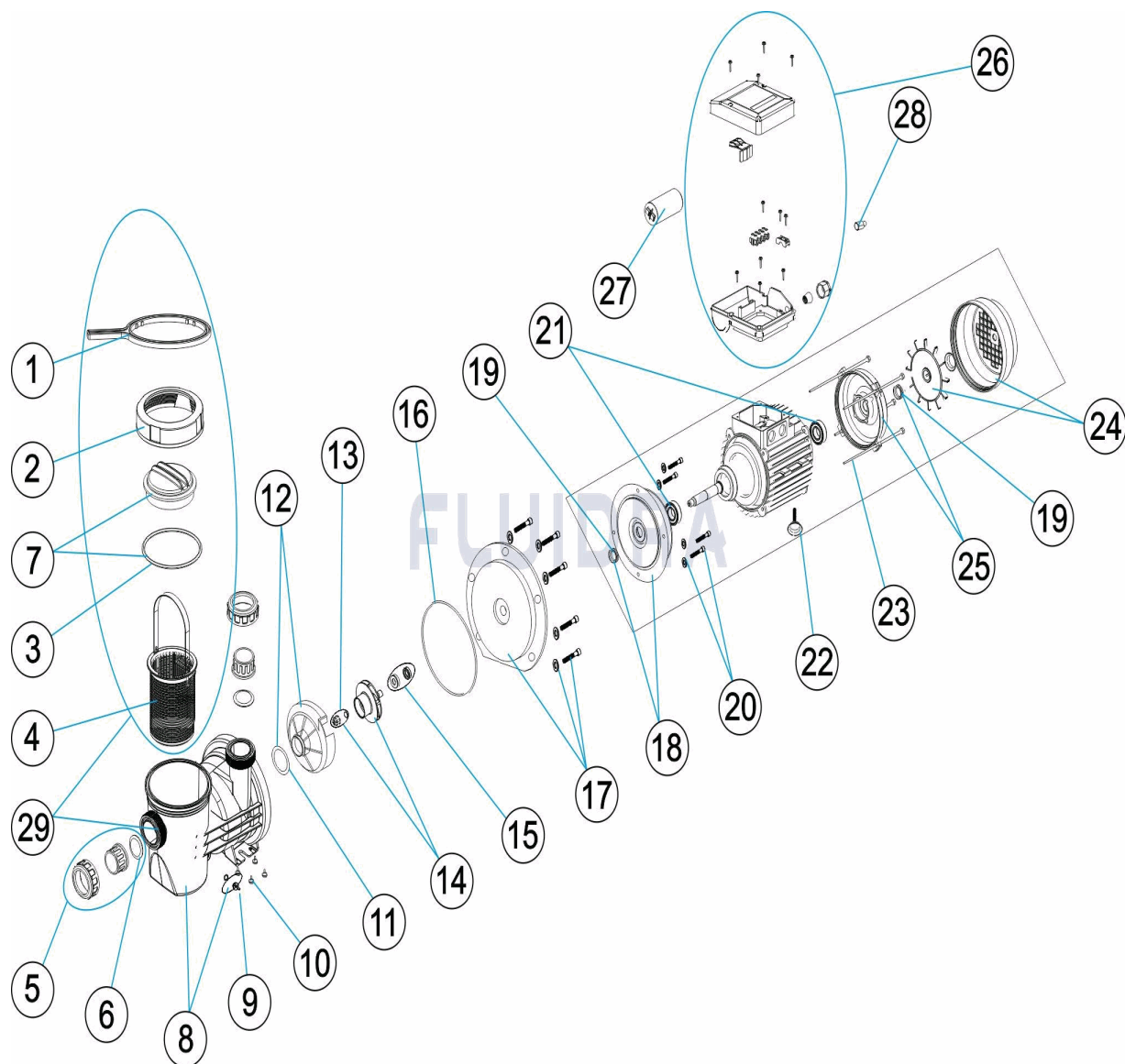
CODE **HGS051M, HGS053M, HGS071M, HGS073M, HGS101M, HGS103M,
HGS151M, HGS153M, HGS201M, HGS203M, HGS251M, HGS301M,
HGS303M**

DESCRIPTION: **HGS PUMP**

25	* CE05012045	FOR: HGS251M
25	* CE05012046	FOR: HGS301M
26	* CE05012047	FOR: HGS051M, HGS071M, HGS101M
26	* CE05012048	FOR: HGS151M, HGS201M, HGS251M
26	* CE05012049	FOR: HGS301M
26	* CE05012050	FOR: HGS053M, HGS073M, HGS103M
26	* CE05012051	FOR: HGS153M, HGS203M, HGS303M
27	* CE05010149	FOR: HGS051M
27	* CE05020121	FOR: HGS071M
27	* CE05020122	FOR: HGS101M
27	* CE05010150	FOR: HGS151M
27	* CE05010174	FOR: HGS201M
27	* CE05010175	FOR: HGS251M, HGS301M
28	* CE05012052	FOR: HGS251M
28	* CE05012053	FOR: HGS301M

CODICE **HGS051M, HGS053M, HGS071M, HGS073M, HGS101M, HGS103M, HGS151M, HGS153M, HGS201M, HGS203M, HGS251M, HGS301M, HGS303M**

DESCRIZIONE: **POMPA HGS**



ITALIANO

POS	CODICE	DESCRIZIONE	QUANTITA'	POS	CODICE	DESCRIZIONE	QUANTITA'
1	CE04130103	CHIAVE GHIERA PER FILTRO		13	CE05010134	TAPPO RUOTA M8 SIN.	
2	CE05012401	VITE COPERCHIO PREFILTRO		14	* CE05012015	RUOTA 1/2 HP II	
3	CE05010178	O-RING D 151,7X6.99		14	* CE05012016	RUOTA 3/4 HP II	
4	CE05012004	CESTO PREFILTRO		14	* CE05012017	RUOTA 1 CV II	
5	* CE05012005	MANICOTTI DI UNIONE D 50		14	* CE05012018	RUOTA 1 1/2 CV II	
5	* CE05012006	MANICOTTI DI UNIONE D 1 1/2"		14	* CE05012019	RUOTA 2 HP II	
5	* CE05012007	MANICOTTI DI UNIONE D 63		14	* CE05012020	RUOTA 2 1/2 HP II	
5	* CE05012008	MANICOTTI DI UNIONE D 2"		14	* CE05012021	RUOTA 3 HP II	
6	CE05010773	O-RING MANICOTTO		14	* CE05012022	RUOTA 1/2 HP III	
7	CE05012054	COPERCHIO PREFILTRO CON GUARNIZIONE		14	* CE05012023	RUOTA 3/4 HP III	
8	CE05012055	CORPO POMBA		14	* CE05012024	RUOTA 1 CV III	

*** SI FACCIA RIFERIMENTO AL FOGLIO DELLE OSSERVAZIONI**

CODICE **HGS051M, HGS053M, HGS071M, HGS073M, HGS101M, HGS103M, HGS151M, HGS153M, HGS201M, HGS203M, HGS251M, HGS301M, HGS303M**

DESCRIZIONE: POMPA HGS

9	CE04121107	COPERCHIO 1/4' VALVOLA	14	* CE05012025	RUOTA 1 1/2 CV III
10	CE05012012	SILENTBLOC	14	* CE05012026	RUOTA 2 HP III
11	CE05012013	O-RING 47,63X3,54	14	* CE05012027	RUOTA 3 HP III
12	CE05012014	DIFFUSORE	15	CE05012028	TENUTA MECCANICA
16	CE05012029	GUARNIZIONE PIANA 193X5X11,5	24	* CE05010148	KIT VENTOLA-COPRIVENTOLA 1,5 - 2 - 3 HF
17	* CE05012030	FLANGIA SUPPORTO MOTORE C.71	24	* CE05012042	KIT VENTOLA-COPRIVENTOLA
17	* CE05012031	FLANGIA SUPPORTO MOTORE C.80	24	* CE05010170	KIT VENTOLA-COPRIVENTOLA 3 HP II
18	* CE05012032	TENUTA MECCANICA C.71 CASSA D. 35	25	* CE05012043	COPERCHIO MOTORE MEC. C.71 C/CASSIE
18	* CE05012033	TENUTA MECCANICA C.80 CASSA D. 47	25	* CE05012044	COPERCHIO MOTORE MEC. C.80 C/CASSIE
18	* CE05012034	TENUTA MECCANICA C.90 CASSA D. 52	25	* CE05012045	COPERCHIO MOTORE MEC. C.80 C/CASSIE
19	* CE05010158	V-RINGS 0,5 HP - 1 HP	25	* CE05012046	COPERCHIO MOTORE MEC. C.90 C/CASSIE
19	* CE05010159	V-RINGS 1,5 HP - 3 HP	26	* CE05012047	SET CASSETTA TERMINALI (MOTORE II) C.:
19	* CE05010176	V-RINGS VA-2,5 - 3 HP II	26	* CE05012048	SET CASSETTA TERMINALI (MOTORE II) C.:
20	* CE05012035	VITI FISSAGGIO FLANGIA C.71	26	* CE05012049	SET CASSETTA TERMINALI (MOTORE II) C.:
20	* CE05012036	VITI FISSAGGIO FLANGIA C.80	26	* CE05012050	SET CASSETTA TERMINALI (MOTORE III) C.
21	* CE05012037	CUSCINETTO ANTERIORE & POSTERIORE	26	* CE05012051	SET CASSETTA TERMINALI (MOTORE III) C.
21	* CE05012038	CUSCINETTO ANTERIORE & POSTERIORE	27	* CE05010149	CONDENSATORE 12 UF 1/2 CV
21	* CE05012039	CUSCINETTO ANTERIORE & POSTERIORE	27	* CE05020121	CONDENSATORE 14 UF 3/4 CV
22	* CE05012040	PIEDE MOTORE M6X53 C.71	27	* CE05020122	CONDENSATORE 16 UF 1 CV
22	* CE05012041	PIEDE MOTORE M6X45 C.80	27	* CE05010150	CONDENSATORE 18 UF 1,5 CV
22	* CE05012114	PIEDE MOTORE M-6X35 C. 90	27	* CE05010174	CONDENSATORE 32 ?F 2 CV
23	* CE05010144	ASTAS MOTORE 0,75 - 1 HP	27	* CE05010175	CONDENSATORE 40 ?F 2,5-3 CV
23	* CE05010145	ASTAS MOTORE 1,5 - 3 HP III	28	* CE05012052	PROTETTORE TERMICO RESETTABILE 2,5
23	* CE05010169	ASTAS MOTORE (90) 3 HP II	28	* CE05012053	PROTETTORE TERMICO RESETTABILE 2,5-
24	* CE05010147	KIT VENTOLA-COPRIVENTOLA 0,75 - 1 HP	29	CE05012056	KIT PREFILTRO

CODICE **HGS051M, HGS053M, HGS071M, HGS073M, HGS101M, HGS103M,
HGS151M, HGS153M, HGS201M, HGS203M, HGS251M, HGS301M,
HGS303M**

DESCRIZIONE: POMPA HGS

OSSERVAZIONI

POS	CODICE	OSSERVAZIONI
5	*CE05012005	PER: HGS051M, HGS053M, HGS071M, HGS073M, HGS101M, HGS103M
5	*CE05012006	PER: HGS051M, HGS053M, HGS071M, HGS073M, HGS101M, HGS103M
5	*CE05012007	PER: HGS151M, HGS153M, HGS201M, HGS203M, HGS251M, HGS301M, HGS303M
5	*CE05012008	PER: HGS151M, HGS153M, HGS201M, HGS203M, HGS251M, HGS301M, HGS303M
14	*CE05012015	PER: HGS051M
14	*CE05012016	PER: HGS071M
14	*CE05012017	PER: HGS101M
14	*CE05012018	PER: HGS151M
14	*CE05012019	PER: HGS201M
14	*CE05012020	PER: HGS251M
14	*CE05012021	PER: HGS301M
14	*CE05012022	PER: HGS053M
14	*CE05012023	PER: HGS073M
14	*CE05012024	PER: HGS103M
14	*CE05012025	PER: HGS153M
14	*CE05012026	PER: HGS203M
14	*CE05012027	PER: HGS303M
17	*CE05012030	PER: HGS051M, HGS053M, HGS071M, HGS073M, HGS101M, HGS103M
17	*CE05012031	PER: HGS151M, HGS153M, HGS201M, HGS203M, HGS251M, HGS301M, HGS303M
18	*CE05012032	PER: HGS051M, HGS053M, HGS071M, HGS073M, HGS101M, HGS103M
18	*CE05012033	PER: HGS151M, HGS153M, HGS201M, HGS203M, HGS251M, HGS303M
18	*CE05012034	PER: HGS301M
19	*CE05010158	PER: HGS051M, HGS053M, HGS071M, HGS073M, HGS101M, HGS103M
19	*CE05010159	PER: HGS151M, HGS153M, HGS201M, HGS203M, HGS251M, HGS303M
19	*CE05010176	PER: HGS301M
20	*CE05012035	PER: HGS051M, HGS053M, HGS071M, HGS073M, HGS101M, HGS103M
20	*CE05012036	PER: HGS151M, HGS153M, HGS201M, HGS203M, HGS251M, HGS301M, HGS303M
21	*CE05012037	PER: HGS051M, HGS053M, HGS071M, HGS073M, HGS101M, HGS103M
21	*CE05012038	PER: HGS151M, HGS153M, HGS201M, HGS203M, HGS251M, HGS303M
21	*CE05012039	PER: HGS301M
22	*CE05012040	PER: HGS051M, HGS053M, HGS071M, HGS073M, HGS101M, HGS103M
22	*CE05012041	PER: HGS151M, HGS153M, HGS201M, HGS203M, HGS251M, HGS303M
22	*CE05012114	PER: HGS301M
23	*CE05010144	PER: HGS051M, HGS053M, HGS071M, HGS073M, HGS101M, HGS103M
23	*CE05010145	PER: HGS151M, HGS153M, HGS201M, HGS203M, HGS251M, HGS303M
23	*CE05010169	PER: HGS301M
24	*CE05010147	PER: HGS051M, HGS053M, HGS071M, HGS073M, HGS101M, HGS103M
24	*CE05010148	PER: HGS151M, HGS153M, HGS201M, HGS203M, HGS303M
24	*CE05012042	PER: HGS251M
24	*CE05010170	PER: HGS301M
25	*CE05012043	PER: HGS051M, HGS053M, HGS071M, HGS073M, HGS101M, HGS103M
25	*CE05012044	PER: HGS151M, HGS153M, HGS201M, HGS203M, HGS303M

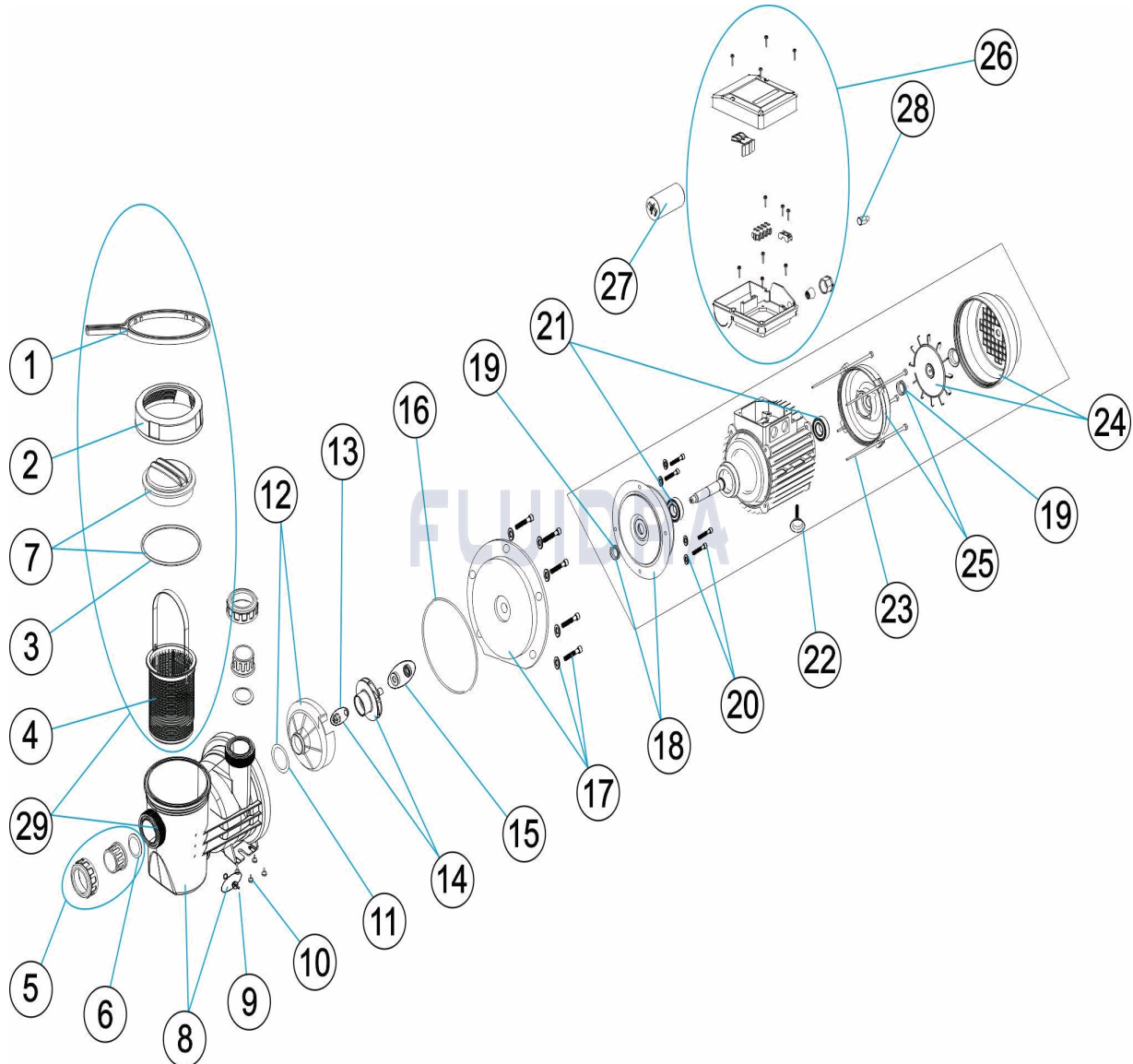
CODICE **HGS051M, HGS053M, HGS071M, HGS073M, HGS101M, HGS103M,
HGS151M, HGS153M, HGS201M, HGS203M, HGS251M, HGS301M,
HGS303M**

DESCRIZIONE: POMPA HGS

25	* CE05012045	PER: HGS251M
25	* CE05012046	PER: HGS301M
26	* CE05012047	PER: HGS051M, HGS071M, HGS101M
26	* CE05012048	PER: HGS151M, HGS201M, HGS251M
26	* CE05012049	PER: HGS301M
26	* CE05012050	PER: HGS053M, HGS073M, HGS103M
26	* CE05012051	PER: HGS153M, HGS203M, HGS303M
27	* CE05010149	PER: HGS051M
27	* CE05020121	PER: HGS071M
27	* CE05020122	PER: HGS101M
27	* CE05010150	PER: HGS151M
27	* CE05010174	PER: HGS201M
27	* CE05010175	PER: HGS251M, HGS301M
28	* CE05012052	PER: HGS251M
28	* CE05012053	PER: HGS301M

CODE **HGS051M, HGS053M, HGS071M, HGS073M, HGS101M, HGS103M, HGS151M, HGS153M, HGS201M, HGS203M, HGS251M, HGS301M, HGS303M**

BESCHREIBUNG: **PUMPEN HGS**



DEUTSCH

POS	CODE	BESCHREIBUNG	MENGE	POS	CODE	BESCHREIBUNG	MENGE
1	CE04130103	SCHLÜSSEL MUTTER FILTER		13	CE05010134	STOPFEN LAUFRAD M8 LINKS	
2	CE05012401	MUTTER VORFILTERDECKEL SCHWARZ		14	* CE05012015	LAUFRAD 1/2 CV II	
3	CE05010178	O-RING D. 151,7 X 6,99		14	* CE05012016	LAUFRAD 3/4 CV II	
4	CE05012004	VORFILTERKORB		14	* CE05012017	LAUFRAD 1 CV II	
5	* CE05012005	ANSCHLUSSZUBEHÖR D. 50		14	* CE05012018	LAUFRAD 1 1/2 CV II	
5	* CE05012006	ANSCHLUSSZUBEHÖR D. 1 1/2"		14	* CE05012019	LAUFRAD 2 CV II	
5	* CE05012007	ANSCHLUSSZUBEHÖR D. 63		14	* CE05012020	LAUFRAD 2 1/2 CV II	
5	* CE05012008	ANSCHLUSSZUBEHÖR D. 2"		14	* CE05012021	LAUFRAD 3 CV II	
6	CE05010773	O-RING NIPPEL		14	* CE05012022	LAUFRAD 1/2 CV III	
7	CE05012054	VORFILTERABDECKUNG UND DICHTUNG		14	* CE05012023	LAUFRAD 3/4 CV III	
8	CE05012055	PUMPENGEHÄUSE		14	* CE05012024	LAUFRAD 1 CV III	

* SIEHE ANMERKUNGSBLATT

CODE **HGS051M, HGS053M, HGS071M, HGS073M, HGS101M, HGS103M,**
HGS151M, HGS153M, HGS201M, HGS203M, HGS251M, HGS301M,
HGS303M

BESCHREIBUNG: PUMPEN HGS

9	CE04121107	STOPFEN 1/4' VENTIL	14	* CE05012025	LAUFRAD 1 1/2 CV III
10	CE05012012	ABSCHLUSS GUMMI HGS - PSS	14	* CE05012026	LAUFRAD 2 CV III
11	CE05012013	O-RING 47,63 X 3,54	14	* CE05012027	LAUFRAD 3 CV III
12	CE05012014	WASSERVERTEILER	15	CE05012028	GLEITRINGDICHTUNG
16	CE05012029	FLACHDICHTUNG 193 X 5 X 11,5	24	* CE05010148	SET VENTILATOR - ABDECKUNG 1,5 - 2 - 3 I
17	* CE05012030	FLANSCH MOTORHALTERUNG C.71	24	* CE05012042	SET VENTILATOR - ABDECKUNG
17	* CE05012031	FLANSCH MOTORHALTERUNG C.80	24	* CE05010170	SET VENTILATOR - ABDECKUNG 3 HP II
18	* CE05012032	GLEITRINGDICHTUNG C.71 MIT RINGLAGE	25	* CE05012043	MOTORDECKEL MECH. C.71 MIT RINGLAG
18	* CE05012033	GLEITRINGDICHTUNG C.80 MIT RINGLAGE	25	* CE05012044	MOTORDECKEL MECH. C.80 MIT RINGLAG
18	* CE05012034	GLEITRINGDICHTUNG - C.90 MIT RINGLAG	25	* CE05012045	MOTORDECKEL MECH. C.80 MIT RINGLAG
19	* CE05010158	DICHTUNGSRINGE 0,5 HP - 1 HP	25	* CE05012046	MOTORDECKEL MECH. C.90 MIT RINGLAG
19	* CE05010159	DICHTUNGSRINGE 1,5 HP - 3 HP	26	* CE05012047	SET KLEMMSCHRANK (MOTOR II) C.71
19	* CE05010176	DICHTUNGSRING VA - 2,5 - 3 HP II	26	* CE05012048	SET KLEMMSCHRANK (MOTOR II) C.80
20	* CE05012035	FIXIERSCHRAUBEN FLANSCH C.71	26	* CE05012049	SET KLEMMSCHRANK (MOTOR II) C.90
20	* CE05012036	FIXIERSCHRAUBEN FLANSCH C.80	26	* CE05012050	SET KLEMMSCHRANK (MOTOR III) C.71
21	* CE05012037	WÄLZLAGER VORNE-HINTEN 1/2 - 1,5 CV	26	* CE05012051	SET KLEMMSCHRANK (MOTOR III) C.80
21	* CE05012038	VORDERES WÄLZLAGER 2 - 3 CV 6204 ZR	27	* CE05010149	KONDENSATOR 12 UF 1/2 CV
21	* CE05012039	VORDERES WÄLZLAGER	27	* CE05020121	KONDENSATOR 14 UF 3/4 CV
22	* CE05012040	FUSS MOTOR M6 X 53 C.71	27	* CE05020122	KONDENSATOR 16 UF 1 CV
22	* CE05012041	FUSS MOTOR M6 X 45 C.80	27	* CE05010150	KONDENSATOR 18 UF 1,5 CV
22	* CE05012114	FUSS MOTOR M-6 X 35 C. 90	27	* CE05010174	KONDENSATOR 32 UF 2 CV
23	* CE05010144	RUNDEISEN MOTOR 0,75 - 1 HP	27	* CE05010175	KONDENSATOR 40 UF 2,5 - 3 CV
23	* CE05010145	RUNDEISEN MOTOR 1,5 - 3 HP III	28	* CE05012052	RÜCKSETZBARER WÄRMESCHUTZ (2,5 HP
23	* CE05010169	RUNDEISEN MOTOR (90) 3 HP II	28	* CE05012053	RÜCKSETZBARER WÄRMESCHUTZ (2,5 - 3
24	* CE05010147	SET VENTILATOR - ABDECKUNG 0,75 - 1 H	29	CE05012056	SET VORFILTER

CODE **HGS051M, HGS053M, HGS071M, HGS073M, HGS101M, HGS103M,
HGS151M, HGS153M, HGS201M, HGS203M, HGS251M, HGS301M,
HGS303M**

BESCHREIBUNG: **PUMPEN HGS**

HINWEISE

POS	CODE	HINWEISE
5	*CE05012005	FÜR: HGS051M, HGS053M, HGS071M, HGS073M, HGS101M, HGS103M
5	*CE05012006	FÜR: HGS051M, HGS053M, HGS071M, HGS073M, HGS101M, HGS103M
5	*CE05012007	FÜR: HGS151M, HGS153M, HGS201M, HGS203M, HGS251M, HGS301M, HGS303M
5	*CE05012008	FÜR: HGS151M, HGS153M, HGS201M, HGS203M, HGS251M, HGS301M, HGS303M
14	*CE05012015	FÜR: HGS051M
14	*CE05012016	FÜR: HGS071M
14	*CE05012017	FÜR: HGS101M
14	*CE05012018	FÜR: HGS151M
14	*CE05012019	FÜR: HGS201M
14	*CE05012020	FÜR: HGS251M
14	*CE05012021	FÜR: HGS301M
14	*CE05012022	FÜR: HGS053M
14	*CE05012023	FÜR: HGS073M
14	*CE05012024	FÜR: HGS103M
14	*CE05012025	FÜR: HGS153M
14	*CE05012026	FÜR: HGS203M
14	*CE05012027	FÜR: HGS303M
17	*CE05012030	FÜR: HGS051M, HGS053M, HGS071M, HGS073M, HGS101M, HGS103M
17	*CE05012031	FÜR: HGS151M, HGS153M, HGS201M, HGS203M, HGS251M, HGS301M, HGS303M
18	*CE05012032	FÜR: HGS051M, HGS053M, HGS071M, HGS073M, HGS101M, HGS103M
18	*CE05012033	FÜR: HGS151M, HGS153M, HGS201M, HGS203M, HGS251M, HGS303M
18	*CE05012034	FÜR: HGS301M
19	*CE05010158	FÜR: HGS051M, HGS053M, HGS071M, HGS073M, HGS101M, HGS103M
19	*CE05010159	FÜR: HGS151M, HGS153M, HGS201M, HGS203M, HGS251M, HGS303M
19	*CE05010176	FÜR: HGS301M
20	*CE05012035	FÜR: HGS051M, HGS053M, HGS071M, HGS073M, HGS101M, HGS103M
20	*CE05012036	FÜR: HGS151M, HGS153M, HGS201M, HGS203M, HGS251M, HGS301M, HGS303M
21	*CE05012037	FÜR: HGS051M, HGS053M, HGS071M, HGS073M, HGS101M, HGS103M
21	*CE05012038	FÜR: HGS151M, HGS153M, HGS201M, HGS203M, HGS251M, HGS303M
21	*CE05012039	FÜR: HGS301M
22	*CE05012040	FÜR: HGS051M, HGS053M, HGS071M, HGS073M, HGS101M, HGS103M
22	*CE05012041	FÜR: HGS151M, HGS153M, HGS201M, HGS203M, HGS251M, HGS303M
22	*CE05012114	FÜR: HGS301M
23	*CE05010144	FÜR: HGS051M, HGS053M, HGS071M, HGS073M, HGS101M, HGS103M
23	*CE05010145	FÜR: HGS151M, HGS153M, HGS201M, HGS203M, HGS251M, HGS303M
23	*CE05010169	FÜR: HGS301M
24	*CE05010147	FÜR: HGS051M, HGS053M, HGS071M, HGS073M, HGS101M, HGS103M
24	*CE05010148	FÜR: HGS151M, HGS153M, HGS201M, HGS203M, HGS303M
24	*CE05012042	FÜR: HGS251M
24	*CE05010170	FÜR: HGS301M
25	*CE05012043	FÜR: HGS051M, HGS053M, HGS071M, HGS073M, HGS101M, HGS103M
25	*CE05012044	FÜR: HGS151M, HGS153M, HGS201M, HGS203M, HGS303M

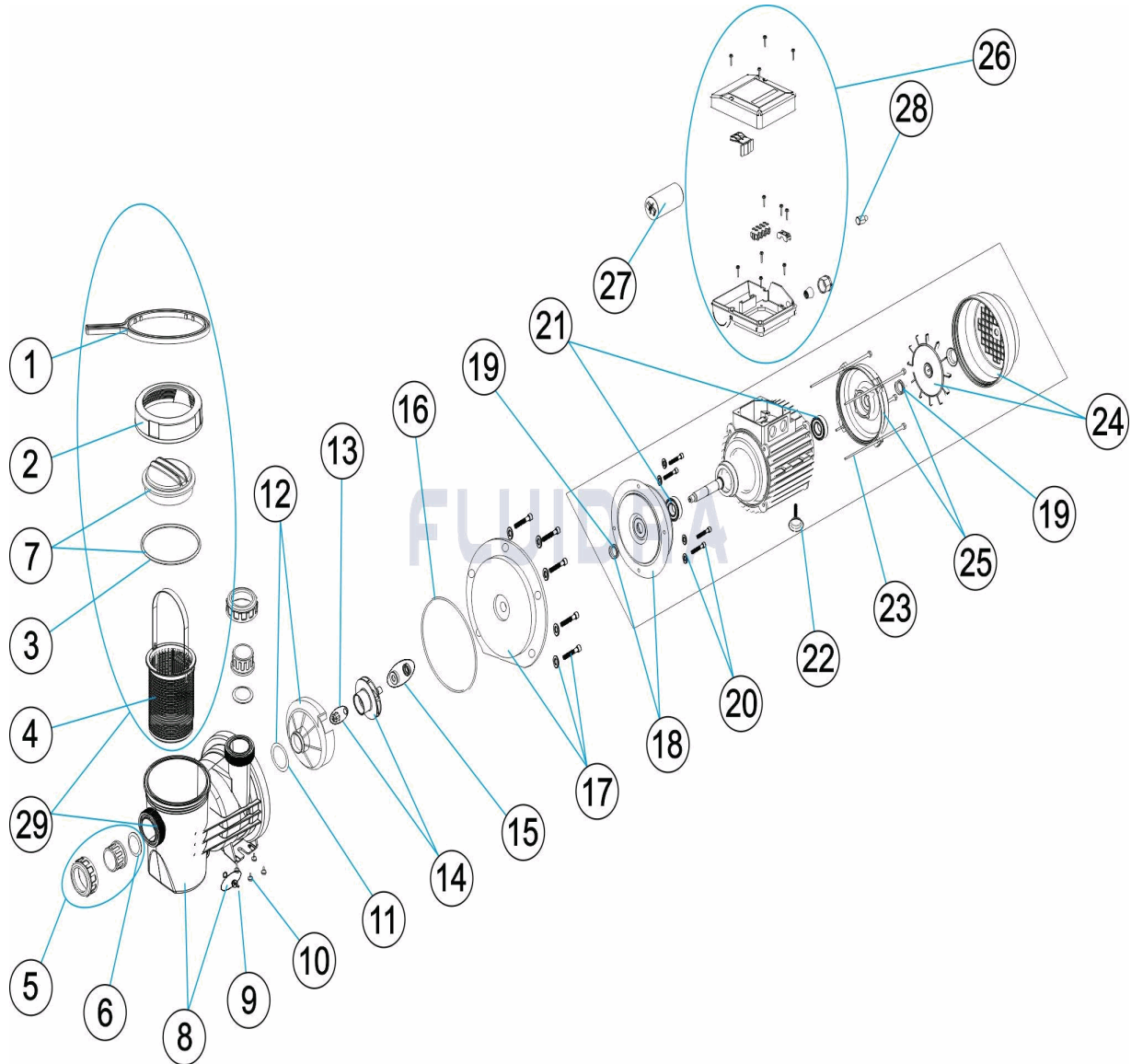
CODE **HGS051M, HGS053M, HGS071M, HGS073M, HGS101M, HGS103M,
HGS151M, HGS153M, HGS201M, HGS203M, HGS251M, HGS301M,
HGS303M**

BESCHREIBUNG: **PUMPEN HGS**

25	* CE05012045	FÜR: HGS251M
25	* CE05012046	FÜR: HGS301M
26	* CE05012047	FÜR: HGS051M, HGS071M, HGS101M
26	* CE05012048	FÜR: HGS151M, HGS201M, HGS251M
26	* CE05012049	FÜR: HGS301M
26	* CE05012050	FÜR: HGS053M, HGS073M, HGS103M
26	* CE05012051	FÜR: HGS153M, HGS203M, HGS303M
27	* CE05010149	FÜR: HGS051M
27	* CE05020121	FÜR: HGS071M
27	* CE05020122	FÜR: HGS101M
27	* CE05010150	FÜR: HGS151M
27	* CE05010174	FÜR: HGS201M
27	* CE05010175	FÜR: HGS251M, HGS301M
28	* CE05012052	FÜR: HGS251M
28	* CE05012053	FÜR: HGS301M

CODIGO HGS051M, HGS053M, HGS071M, HGS073M, HGS101M, HGS103M, HGS151M, HGS153M, HGS201M, HGS203M, HGS251M, HGS301M, HGS303M

DESCRIÇÃO: BOMBA HGS



PORTUGUES

POS	CODIGO	DESCRIÇÃO	JANTIDADE	POS	CODIGO	DESCRIÇÃO	JANTIDADE
1	CE04130103	CHAVE PORCA FILTRO		13	CE05010134	TAMPO RODÍZIO M8 ESQ.	
2	CE05012401	PORCA TAMPA PRÉ-FILTRO		14	* CE05012015	RODÍZIO 1/2 HP II	
3	CE05010178	JUNTA TÓRICA D 151,7X6,99		14	* CE05012016	RODÍZIO 3/4 HP II	
4	CE05012004	CESTO PRÉ-FILTRO		14	* CE05012017	RODÍZIO 1 CV II	
5	* CE05012005	ACESSÓRIOS DE UNIÃO D 50		14	* CE05012018	RODÍZIO 1 1/2 CV II	
5	* CE05012006	ACESSÓRIOS DE UNIÃO D 1 1/2"		14	* CE05012019	RODÍZIO 2 HP II	
5	* CE05012007	ACESSÓRIOS DE UNIÃO D 63		14	* CE05012020	RODÍZIO 2 1/2 HP II	
5	* CE05012008	ACESSÓRIOS DE UNIÃO D 2"		14	* CE05012021	RODÍZIO 3 HP II	
6	CE05010773	JUNTA DE UNIÃO		14	* CE05012022	RODÍZIO 1/2 HP III	
7	CE05012054	TAMPA PRÉ-FILTRO COM JUNTA		14	* CE05012023	RODÍZIO 3/4 HP III	
8	CE05012055	CORPO BOMBA		14	* CE05012024	RODÍZIO 1 CV III	

CODIGO HGS051M, HGS053M, HGS071M, HGS073M, HGS101M, HGS103M,
HGS151M, HGS153M, HGS201M, HGS203M, HGS251M, HGS301M,
HGS303M

DESCRIÇÃO: BOMBA HGS

9	CE04121107	TAMPÃO 1/4' VÁLVULA	14	* CE05012025	RODÍZIO 1 1/2 CV III
10	CE05012012	SILENT-BLOCK	14	* CE05012026	RODÍZIO 2 HP III
11	CE05012013	JUNTA TÓRICA 47,63X3,53	14	* CE05012027	RODÍZIO 3 HP III
12	CE05012014	DIFUSOR	15	CE05012028	JUNTA MECÂNICA
16	CE05012029	JUNTA PLANA 193X5X11,5	24	* CE05010148	CONJUNTO VENTILADOR-TAMPA 1,5 - 2 - 3
17	* CE05012030	FLANGE SUPORTE MOTOR C.71	24	* CE05012042	CONJUNTO VENTILADOR-TAMPA
17	* CE05012031	FLANGE SUPORTE MOTOR C.80	24	* CE05010170	CONJUNTO VENTILADOR-TAMPA 3 HP II
18	* CE05012032	BRIDA MEC. C.71 C/CAIXA D.35	25	* CE05012043	TAMPA MOTOR MEC. C.71 C/RANHURA D35
18	* CE05012033	BRIDA MEC. C.80 C/CAIXA D.47	25	* CE05012044	TAMPA MOTOR MEC. C.80 C/RANHURA D47
18	* CE05012034	BRIDA MEC. C.90 C/CAIXA D.52	25	* CE05012045	TAMPA MOTOR MEC. C.80 C/RANHURA D47
19	* CE05010158	V-RINGS 0,5 HP - 1 HP	25	* CE05012046	TAMPA MOTOR MEC. C.90 C/RANHURA D52
19	* CE05010159	V-RINGS 1,5 HP - 3 HP	26	* CE05012047	CJTO. CAIXA TERMINAIS (MOTOR II) C.71
19	* CE05010176	V-RINGS VA-2,5 - 3 HP II	26	* CE05012048	CJTO. CAIXA TERMINAIS (MOTOR II) C.80
20	* CE05012035	PARAFUSOS FIXAÇÃO FLANGE C.71	26	* CE05012049	CJTO. CAIXA TERMINAIS (MOTOR II) C.90
20	* CE05012036	PARAFUSOS FIXAÇÃO FLANGE C.80	26	* CE05012050	CJTO. CAIXA TERMINAIS (MOTOR III) C.71
21	* CE05012037	ROLAMENTO DIANTEIRO & TRASEIRO	26	* CE05012051	CJTO. CAIXA TERMINAIS (MOTOR III) C.80
21	* CE05012038	ROLAMENTO DIANTEIRO & TRASEIRO	27	* CE05010149	CONDENSADOR 12 UF 1/2 CV
21	* CE05012039	ROLAMENTO DIANTEIRO & TRASEIRO	27	* CE05020121	CONDENSADOR 14 UF 3/4 CV
22	* CE05012040	PÉ MOTOR M6X53 C.71	27	* CE05020122	CONDENSADOR 16 UF 1 CV
22	* CE05012041	PÉ MOTOR M6X45 C.80	27	* CE05010150	CONDENSADOR 18 UF 1,5 CV
22	* CE05012114	PÉ MOTOR M-6X35 C. 90	27	* CE05010174	CONDENSADOR 32 ?F 2 CV
23	* CE05010144	VARETAS MOTOR 0,75 - 1 HP	27	* CE05010175	CONDENSATEUR 40 ?F 2,5-3 CV
23	* CE05010145	VARETAS MOTOR 1,5 - 3 HP III	28	* CE05012052	PROTECTOR TÉRMICO REARMÁVEL 2,5 CV
23	* CE05010169	VARETAS MOTOR (90) 3 HP II	28	* CE05012053	PROTECTOR TÉRMICO REARMÁVEL 2,5-3 CV
24	* CE05010147	CONJUNTO VENTILADOR-TAMPA 0,75 - 1	29	CE05012056	CONJUNTO PRE-FILTRO

CODIGO HGS051M, HGS053M, HGS071M, HGS073M, HGS101M, HGS103M,
 HGS151M, HGS153M, HGS201M, HGS203M, HGS251M, HGS301M,
 HGS303M

DESCRIÇÃO: BOMBA HGS

OBSERVAÇÕES

POS	CODIGO	OBSERVAÇÕES
5	* CE05012005	PARA: HGS051M, HGS053M, HGS071M, HGS073M, HGS101M, HGS103M
5	* CE05012006	PARA: HGS051M, HGS053M, HGS071M, HGS073M, HGS101M, HGS103M
5	* CE05012007	PARA: HGS151M, HGS153M, HGS201M, HGS203M, HGS251M, HGS301M, HGS303M
5	* CE05012008	PARA: HGS151M, HGS153M, HGS201M, HGS203M, HGS251M, HGS301M, HGS303M
14	* CE05012015	PARA: HGS051M
14	* CE05012016	PARA: HGS071M
14	* CE05012017	PARA: HGS101M
14	* CE05012018	PARA: HGS151M
14	* CE05012019	PARA: HGS201M
14	* CE05012020	PARA: HGS251M
14	* CE05012021	PARA: HGS301M
14	* CE05012022	PARA: HGS053M
14	* CE05012023	PARA: HGS073M
14	* CE05012024	PARA: HGS103M
14	* CE05012025	PARA: HGS153M
14	* CE05012026	PARA: HGS203M
14	* CE05012027	PARA: HGS303M
17	* CE05012030	PARA: HGS051M, HGS053M, HGS071M, HGS073M, HGS101M, HGS103M
17	* CE05012031	PARA: HGS151M, HGS153M, HGS201M, HGS203M, HGS251M, HGS301M, HGS303M
18	* CE05012032	PARA: HGS051M, HGS053M, HGS071M, HGS073M, HGS101M, HGS103M
18	* CE05012033	PARA: HGS151M, HGS153M, HGS201M, HGS203M, HGS251M, HGS303M
18	* CE05012034	PARA: HGS301M
19	* CE05010158	PARA: HGS051M, HGS053M, HGS071M, HGS073M, HGS101M, HGS103M
19	* CE05010159	PARA: HGS151M, HGS153M, HGS201M, HGS203M, HGS251M, HGS303M
19	* CE05010176	PARA: HGS301M
20	* CE05012035	PARA: HGS051M, HGS053M, HGS071M, HGS073M, HGS101M, HGS103M
20	* CE05012036	PARA: HGS151M, HGS153M, HGS201M, HGS203M, HGS251M, HGS301M, HGS303M
21	* CE05012037	PARA: HGS051M, HGS053M, HGS071M, HGS073M, HGS101M, HGS103M
21	* CE05012038	PARA: HGS151M, HGS153M, HGS201M, HGS203M, HGS251M, HGS303M
21	* CE05012039	PARA: HGS301M
22	* CE05012040	PARA: HGS051M, HGS053M, HGS071M, HGS073M, HGS101M, HGS103M
22	* CE05012041	PARA: HGS151M, HGS153M, HGS201M, HGS203M, HGS251M, HGS303M
22	* CE05012114	PARA: HGS301M
23	* CE05010144	PARA: HGS051M, HGS053M, HGS071M, HGS073M, HGS101M, HGS103M
23	* CE05010145	PARA: HGS151M, HGS153M, HGS201M, HGS203M, HGS251M, HGS303M
23	* CE05010169	PARA: HGS301M
24	* CE05010147	PARA: HGS051M, HGS053M, HGS071M, HGS073M, HGS101M, HGS103M
24	* CE05010148	PARA: HGS151M, HGS153M, HGS201M, HGS203M, HGS303M
24	* CE05012042	PARA: HGS251M
24	* CE05010170	PARA: HGS301M
25	* CE05012043	PARA: HGS051M, HGS053M, HGS071M, HGS073M, HGS101M, HGS103M
25	* CE05012044	PARA: HGS151M, HGS153M, HGS201M, HGS203M, HGS303M

CODIGO HGS051M, HGS053M, HGS071M, HGS073M, HGS101M, HGS103M,
HGS151M, HGS153M, HGS201M, HGS203M, HGS251M, HGS301M,
HGS303M

DESCRIÇÃO: BOMBA HGS

25	* CE05012045	PARA: HGS251M
25	* CE05012046	PARA: HGS301M
26	* CE05012047	PARA: HGS051M, HGS071M, HGS101M
26	* CE05012048	PARA: HGS151M, HGS201M, HGS251M
26	* CE05012049	PARA: HGS301M
26	* CE05012050	PARA: HGS053M, HGS073M, HGS103M
26	* CE05012051	PARA: HGS153M, HGS203M, HGS303M
27	* CE05010149	PARA: HGS051M
27	* CE05020121	PARA: HGS071M
27	* CE05020122	PARA: HGS101M
27	* CE05010150	PARA: HGS151M
27	* CE05010174	PARA: HGS201M
27	* CE05010175	PARA: HGS251M, HGS301M
28	* CE05012052	PARA: HGS251M
28	* CE05012053	PARA: HGS301M