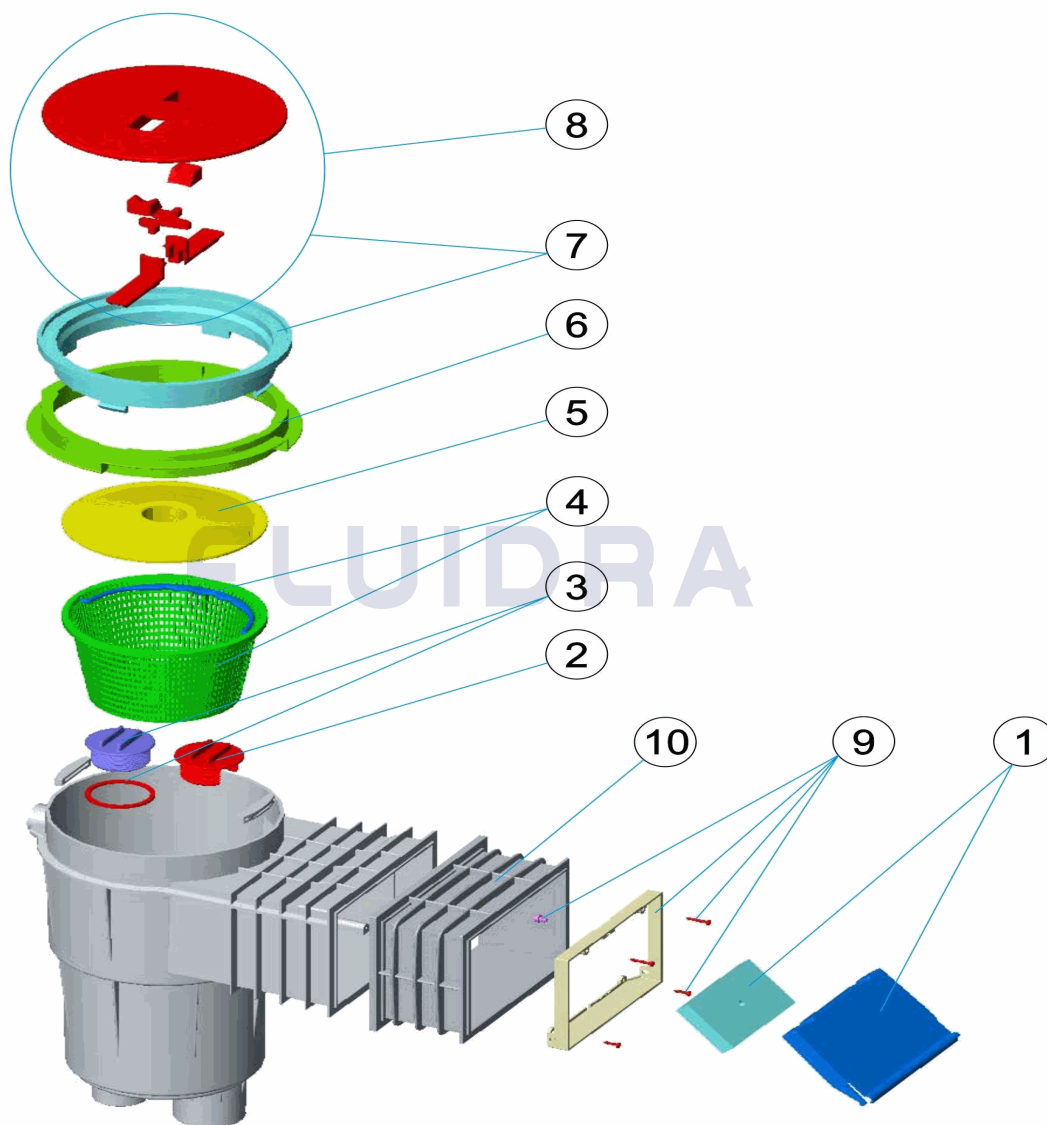


CODIGO **05590**

DESCRIPCION: **SKIMMER 17,5L PP+ALARGO B.STD. T.CIRCULAR**

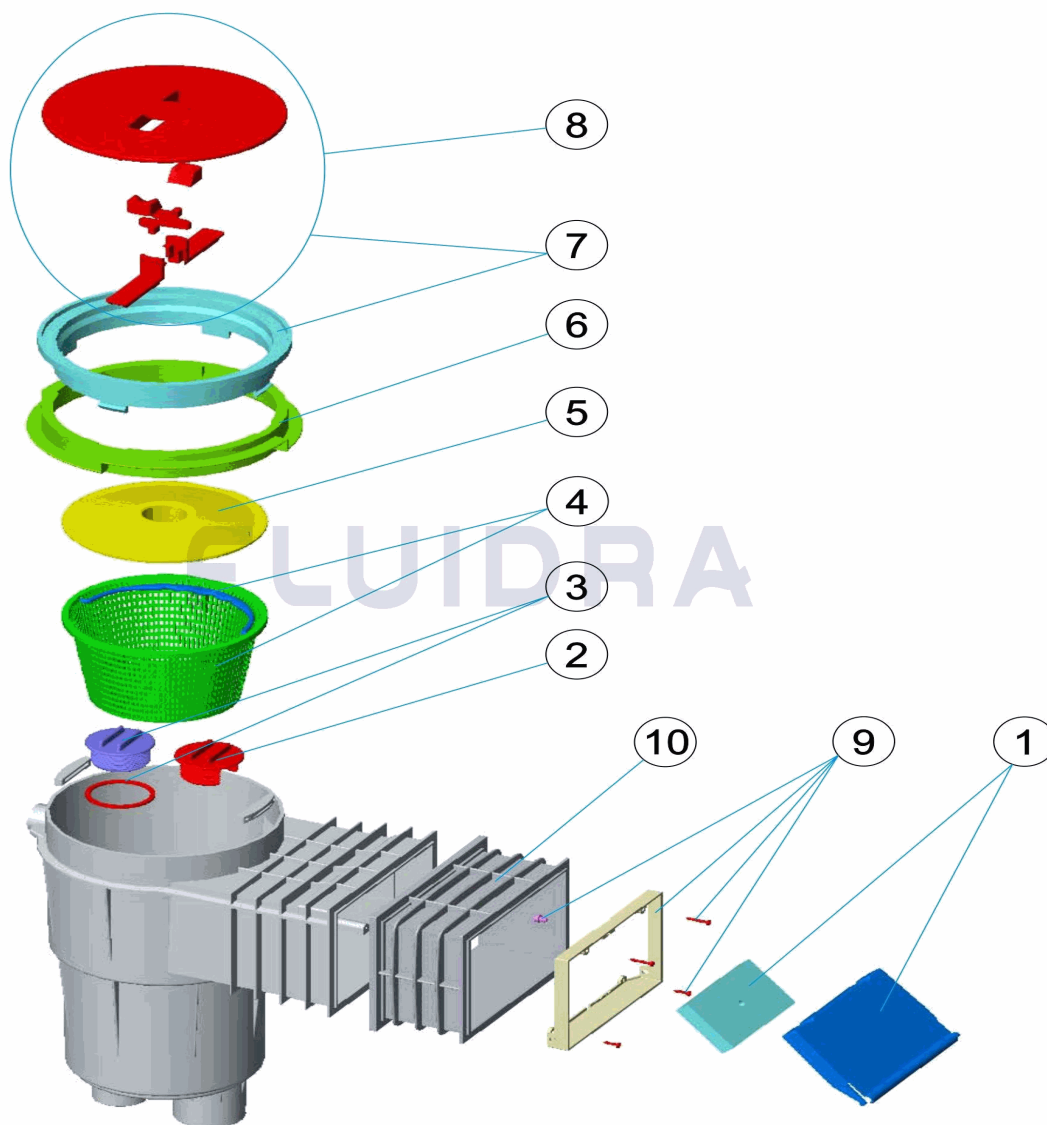


**ESPAÑOL**

POS	CODIGO	DESCRIPCION	CANTIDAD	POS	CODIGO	DESCRIPCION	CANTIDAD
1	4402010501	COMPUERTA SKIMMER CON CLIP	6	4402010506	ANILLO DISTANCIADOR SKIMMER		
2	4402010502	TAPON REGULADOR	7	4402010507	ARO CON TAPA SKIMMER		
3	4402010503	TAPON CON JUNTA	8	4402010509	TAPA SKIMMER		
4	4402010504	CESTO SKIMMER 17,5 LTS.	9	4402010508	MARCO COMPUERTA SKIMMER		
5	4402010505	TAPA CESTO SKIMMER	10	4402010082	BOCA INTERMEDIA SKIMMER		

CODE 05590

DESCRIPTION: SKIMMER 17,5L PP+RALLONGE O.STD. C. CIRCULAIRE

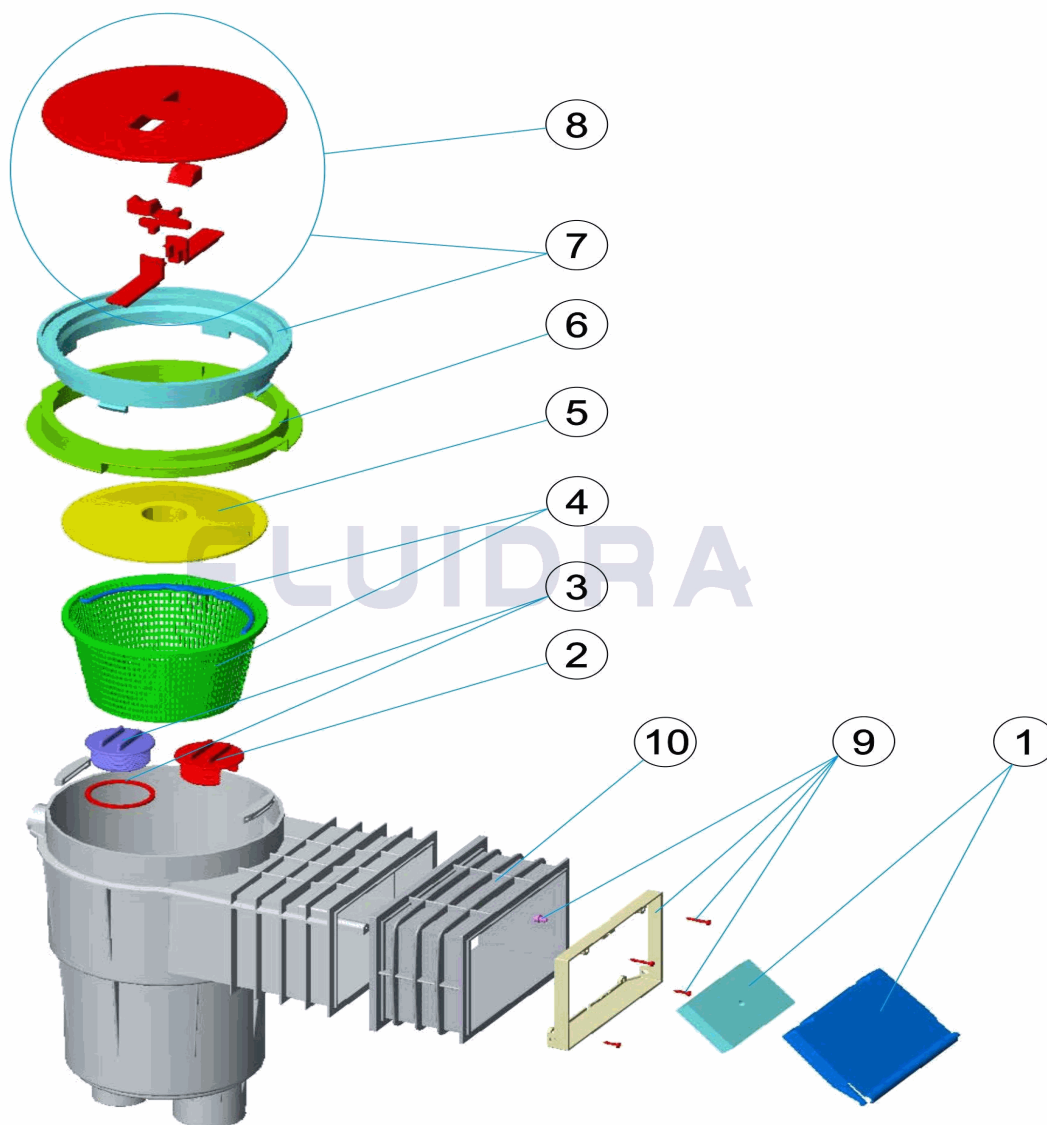


FRANCAIS

POS	CODE	DESCRIPTION	QUANTITE	POS	CODE	DESCRIPTION	QUANTITE
1	4402010501	VOLET DE SKIMMER		6	4402010506	CADRE REHAUSSE COUVERCLE	
2	4402010502	BOUCHON REGULATEUR		7	4402010507	COUVERCLE ET CADRE DE SKIMMER	
3	4402010503	BOUCHON SKIMMER AVEC JOINT		8	4402010509	COUVERCLE ROND DE SKIMMER	
4	4402010504	PANIER SKIMMER 17,5 LTS		9	4402010508	CADRE VOLET SKIMMER	
5	4402010505	COUVERCLE PANIER SKIMMER		10	4402010082	BOUCHE INTERMEDIAIRE RALLONGE SKIM	

CODE **05590**

DESCRIPTION: **SKIMMER 17.5L PP + EXTENSION B. STD ROUND COVER**

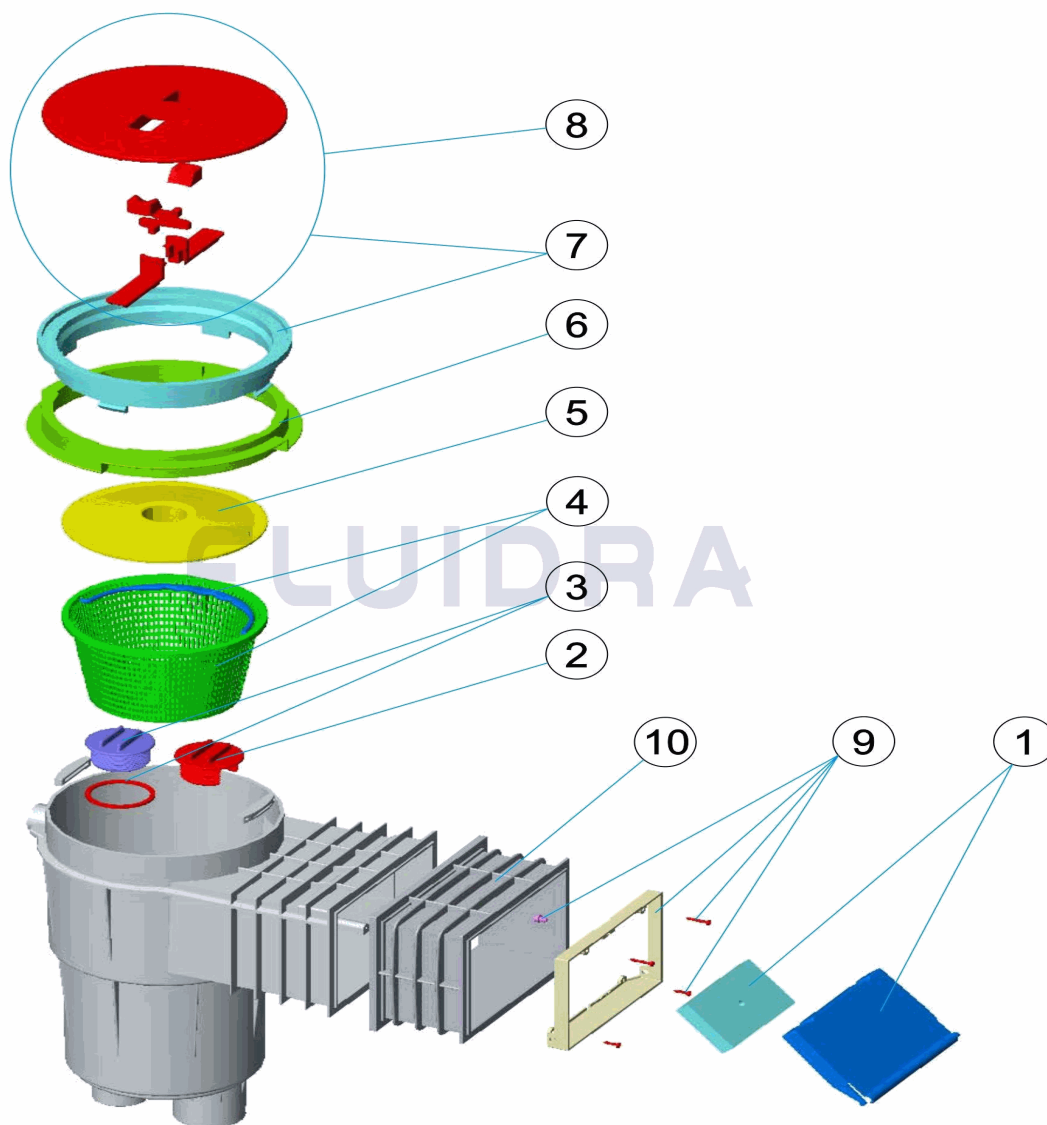


**ENGLISH**

POS	CODE	DESCRIPTION	QUANTITY	POS	CODE	DESCRIPTION	QUANTITY
1	4402010501	SKIMMER FLAP		6	4402010506	COLLAR EXTENSION RING	
2	4402010502	REGULATING PLUG		7	4402010507	LID AND FRAME	
3	4402010503	BLANKING PLUG AND 'O' RING		8	4402010509	SKIMMER LID	
4	4402010504	BASKET 17,5 LITRES		9	4402010508	FLAP FRAME	
5	4402010505	VACUUM PLATE		10	4402010082	SKIMMER THROAT	

CODICE **05590**

DESCRIZIONE: **SKIMMER 17,5L PP + ESTENSIONE B. STD. TAPPO CIRCOLARE**

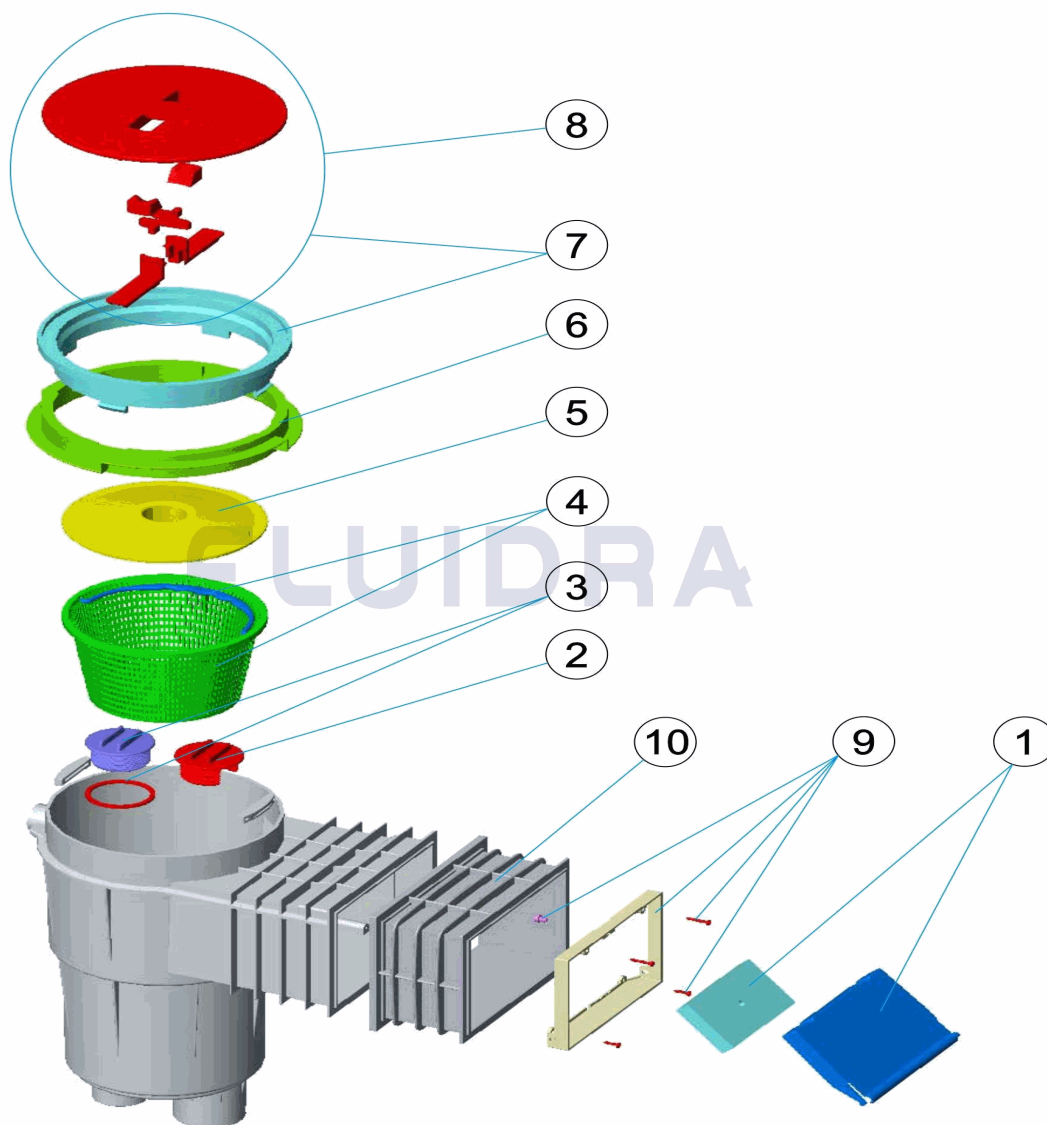


**ITALIANO**

POS	CODICE	DESCRIZIONE	QUANTITA'	POS	CODICE	DESCRIZIONE	QUANTITA'
1	4402010501	BATTENTE SKIMMER CON CLIP	6	4402010506	ANELLO DISTANZIATORE SKIMMER		
2	4402010502	TAPPO DI REGOLAZIONE	7	4402010507	CORNICE CON COPERCHIO SKIMMER		
3	4402010503	TAPPO CON GUARNIZIONE	8	4402010509	COPERCHIO SKIMMER		
4	4402010504	CESTELLO SKIMMER DA 17,5 LITRI	9	4402010508	CORNICE BATTENTE SKIMMER		
5	4402010505	COPERCHIO CESTELLO SKIMMER	10	4402010082	BOCCA INTERMEDIA SKIMMER		

CODE **05590**

BESCHREIBUNG: **SKIMMER 17,5L PP+VERLÄNGERUNG EINLASS STANDARD ABDECKUNG**

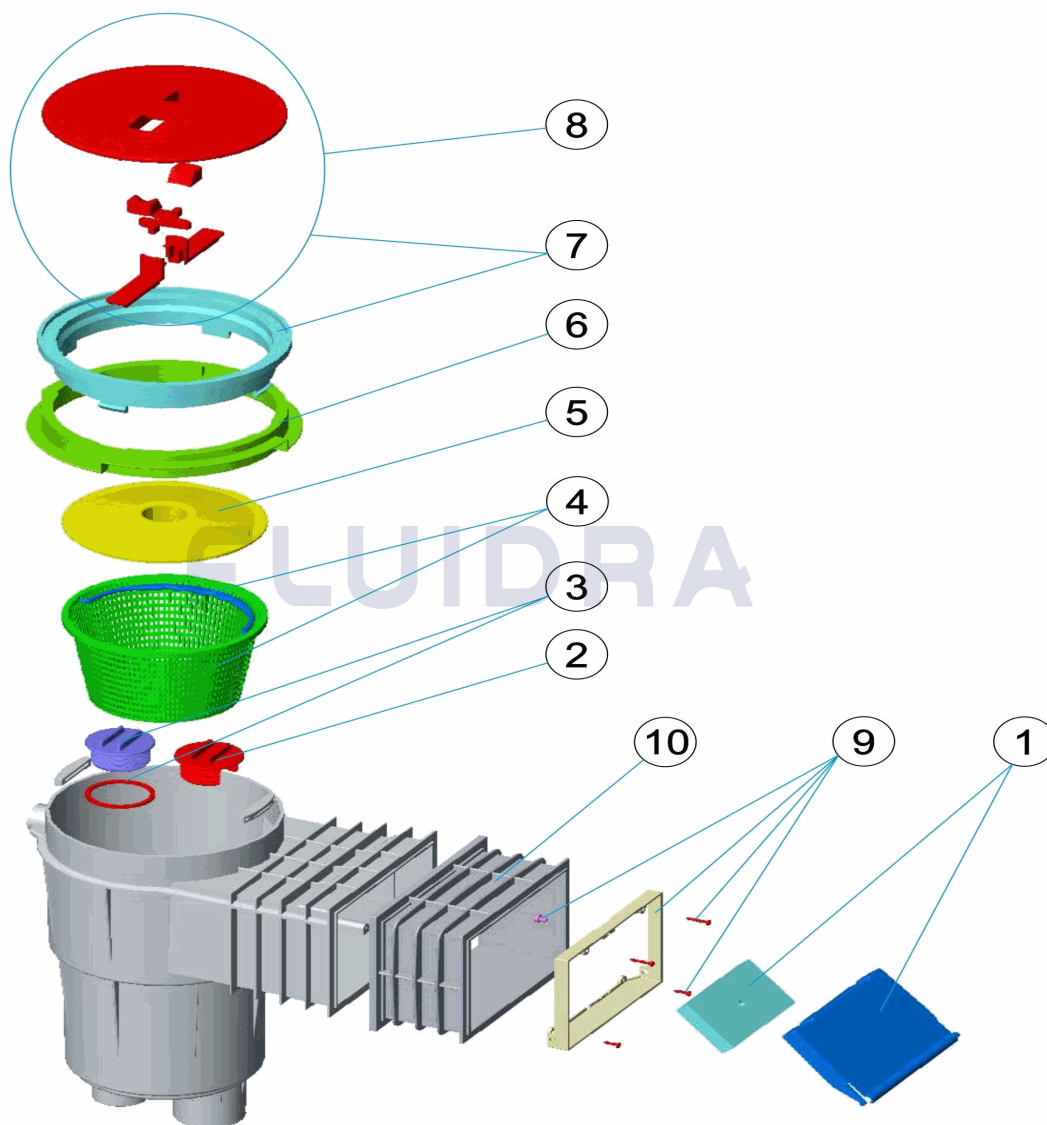


**DEUTSCH**

POS	CODE	BESCHREIBUNG	MENGE	POS	CODE	BESCHREIBUNG	MENGE
1	4402010501	SKIMMERKLAPPE MIT CLIP		6	4402010506	DISTANZRING SKIMMER	
2	4402010502	STOPFEN REGULIERUNG		7	4402010507	RING MIT SKIMMERDECKEL	
3	4402010503	STOPFEN UND DICHTUNG		8	4402010509	SKIMMERDECKEL	
4	4402010504	SKIMMERKORB 17,5 L		9	4402010508	RAHMEN SKIMMERKLAPPE	
5	4402010505	ABDECKUNG SKIMMKORB		10	4402010082	EINLASS MITTIG SKIMMER	

CODIGO **05590**

DESCRIÇÃO: **SKIMMER 17,5 L PP + EXTENSÃO B.STD. T. CIRCULAR**



**PORTUGUES**

POS	CODIGO	DESCRIÇÃO	JANTIDADE	POS	CODIGO	DESCRIÇÃO	JANTIDADE
1	4402010501	COMPORTA SKIMMER CLIP		6	4402010506	ANEL DISTANCIADOR SKIMMER	
2	4402010502	TAMPA REGULADORA		7	4402010507	ARO COM TAMPA SKIMMER	
3	4402010503	TAMPA COM JUNTA		8	4402010509	TAMPA SKIMMER	
4	4402010504	CESTO SKIMMER 17,5 LTS		9	4402010508	CAIXILHO COMPORTA SKIMMER	
5	4402010505	TAMPA CESTO SKIMMER		10	4402010082	BOCA INTERMÉDIA DE SKIMMER	