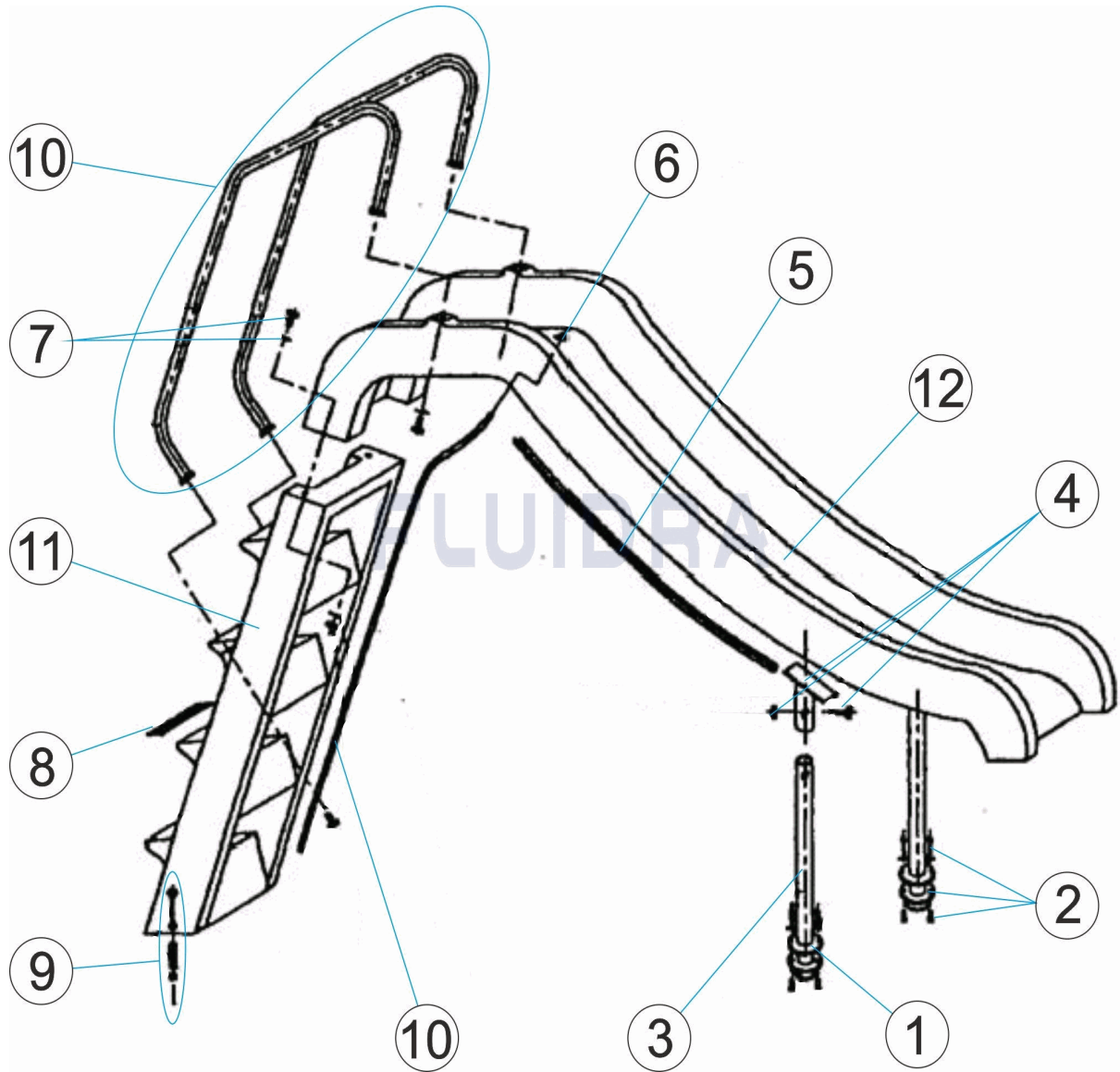


CODIGO **10899**

DESCRIPCION: **TOBOGAN MODEL BABY BLUE**

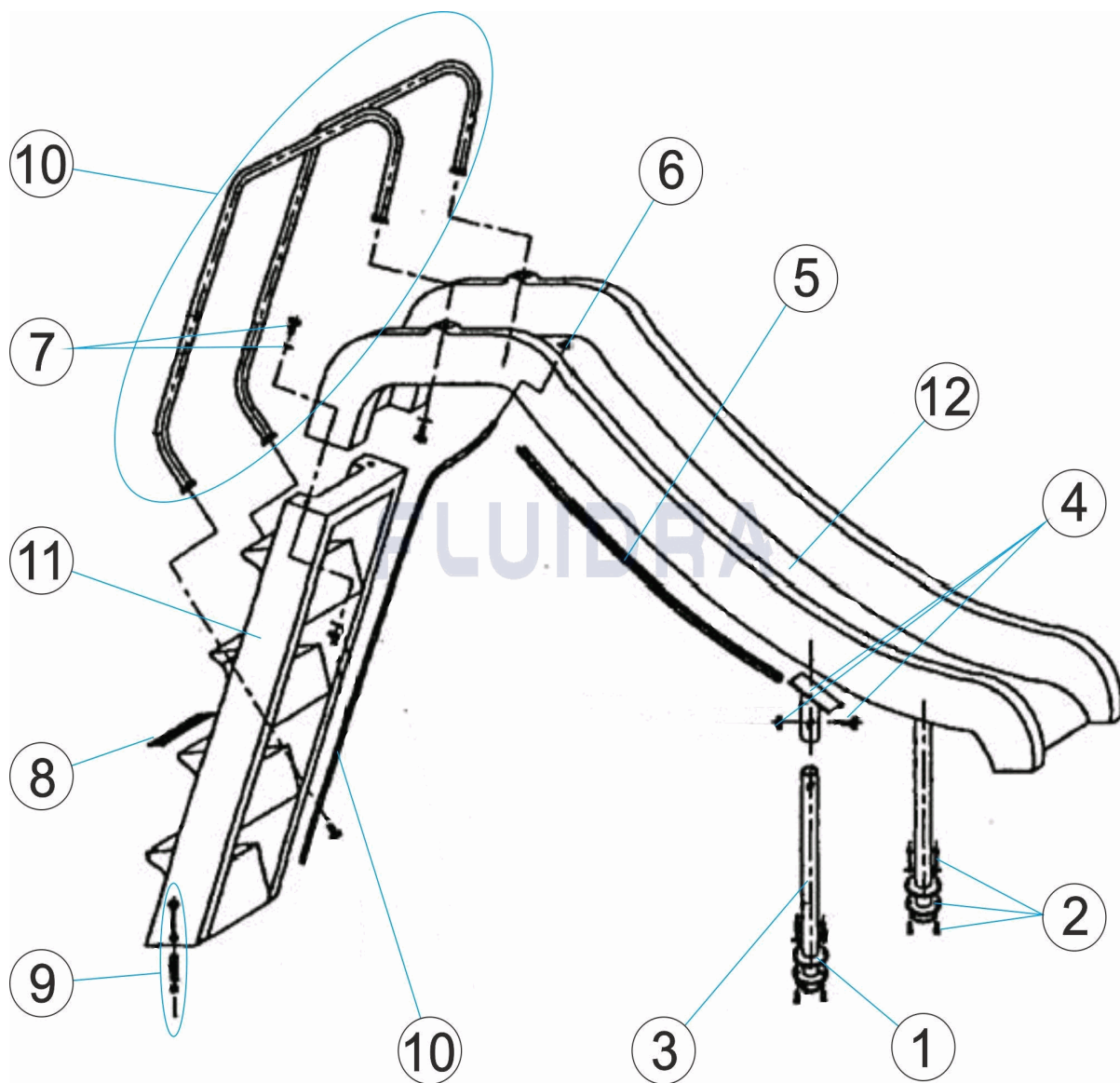


**ESPAÑOL**

POS	CODIGO	DESCRIPCION	CANTIDAD	POS	CODIGO	DESCRIPCION	CANTIDAD
1	4401010102	TAPETA EMBELLECEDORA 304		8	4401030004	TIRA ANTIDESLIZANTE 50X325	
2	4401030000	ANCLAJE SOPORTE TOBOGAN		9	4401030207	ANCLAJE TORNILLO	
3	4401030001	PIE INOX TOBOGAN BABY BLUE		10	4401030005	TUBO CRISTAL 4 X 6	
4	4401030002	ANCLAJE PIE TOBOGAN		11	10899R0400	CONJUNTO BARANDILLAS	
5	4401030003	PERFIL NEGRO TUBO		12	10899R0302	ESCALERA	
6	4401030106	RACORD IMPULSION AGUA		13	10899R0301	PISTA TOBOGAN	
7	4401070306	TORNILLERIA INTERIOR PELDAÑO					

CODE **10899**

DESCRIPTION: **TOBOGGANS BABY BLUE**

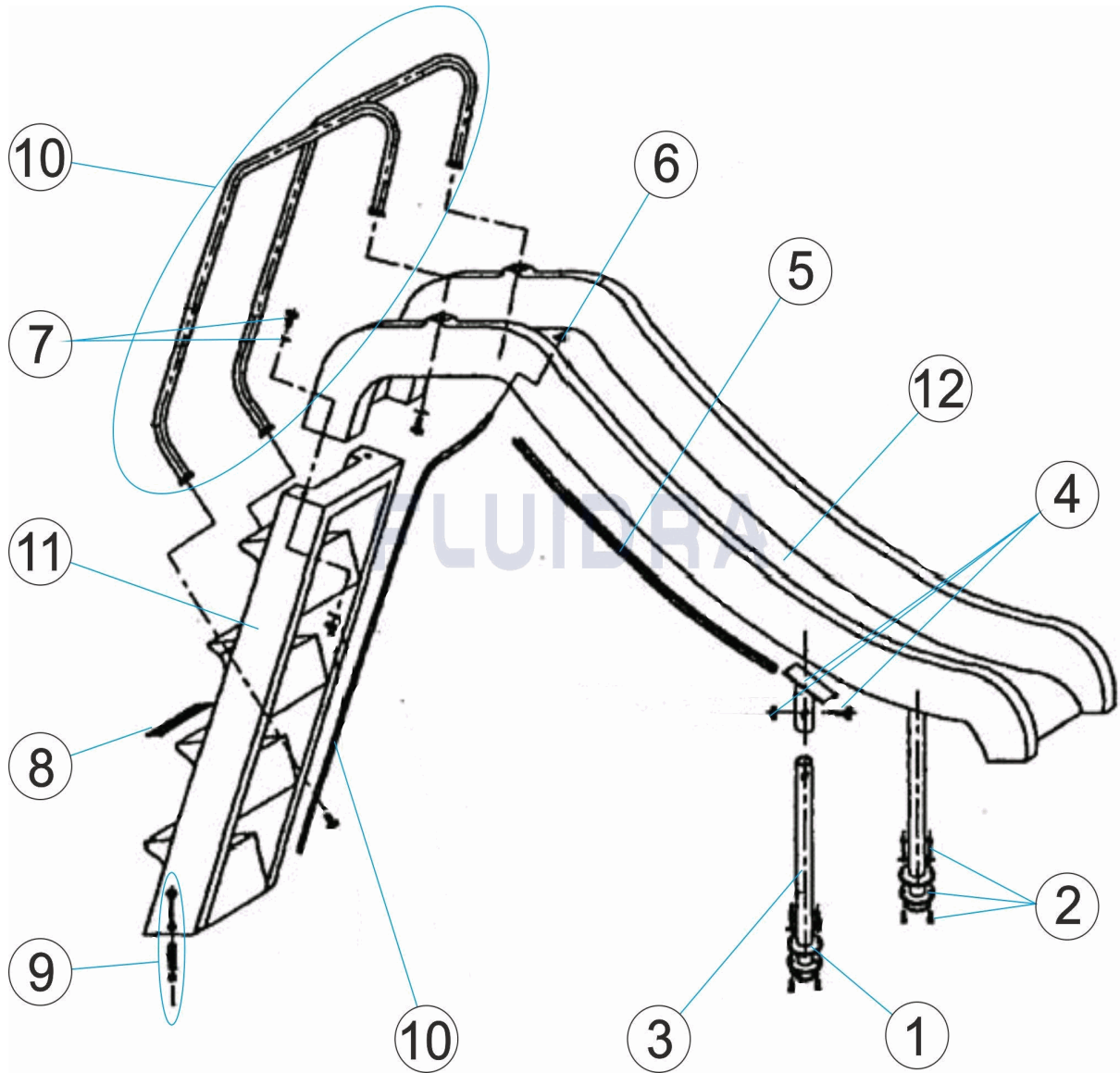


**FRANCAIS**

POS	CODE	DESCRIPTION	QUANTITE	POS	CODE	DESCRIPTION	QUANTITE
1	4401010102	ENJOLIVEUR AISI 304		8	4401030004	BANDE ANTIDÉRAPANTE 50X325	
2	4401030000	FIXATION SUPPORT TOBOGGAN		9	4401030207	TAQUET D'ANCRAGE	
3	4401030001	PIED INOX TOBOGGAN BABY BLUE		10	4401030005	TUYAU CRISTAL 4 X 6	
4	4401030002	FIXATION PIED TOBOGGAN		11	10899R0400	ENSEMBLE BALAUSTRADES TOBOGGAN	
5	4401030003	PROFIL NOIR TUYAU		12	10899R0302	ÉCHELLE	
6	4401030106	RACCORD RAPIDE ARRIVÉE D'EAU		13	10899R0301	PISTE TOBOGGAN	
7	4401070306	VISSERIE INTERIEUR MARCHÉ					

CODE **10899**

DESCRIPTION: **BABY BLUE SLIDES**

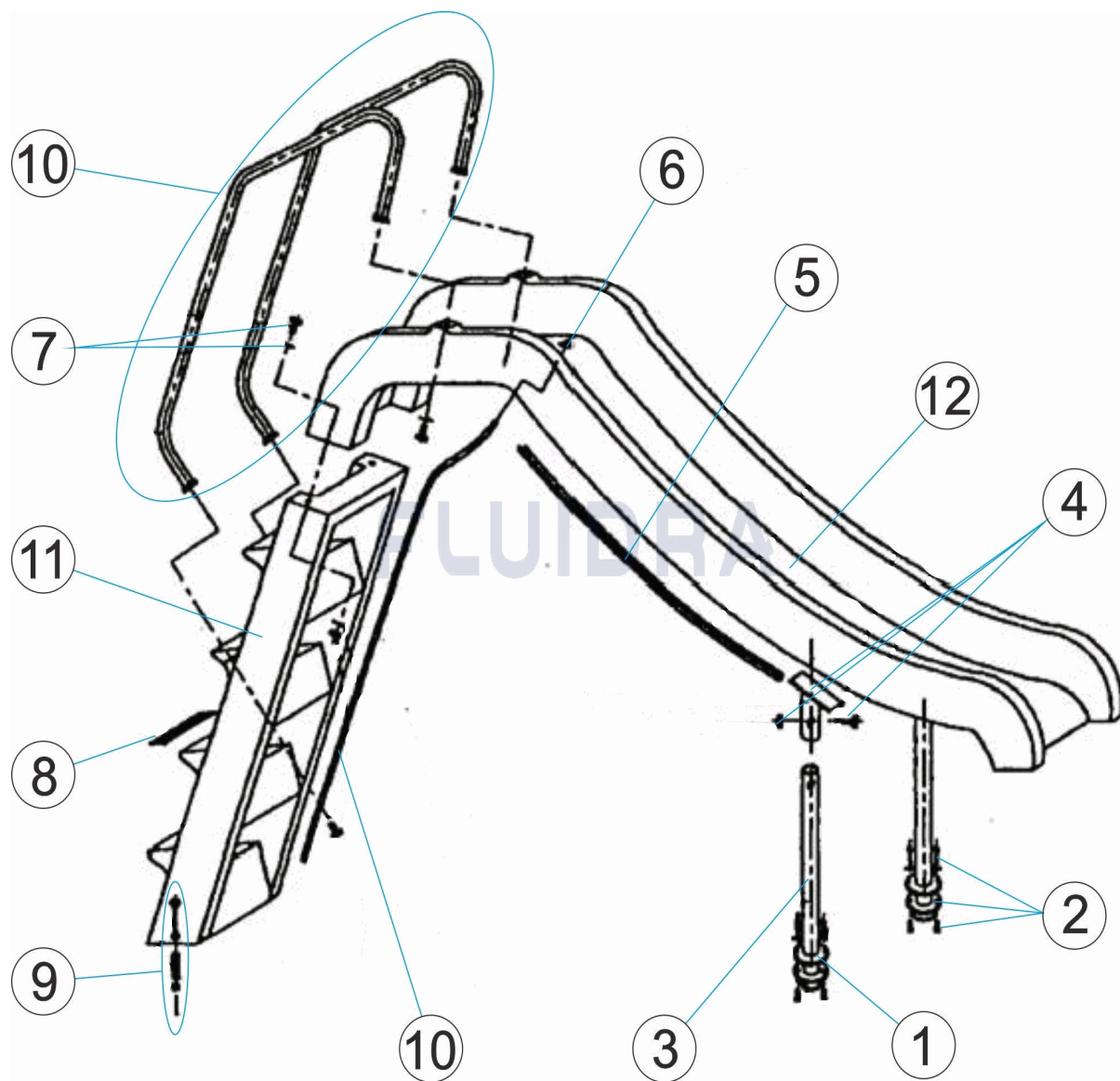


**ENGLISH**

POS	CODE	DESCRIPTION	QUANTITY	POS	CODE	DESCRIPTION	QUANTITY
1	4401010102	ESCUTCHEON 304		8	4401030004	50X325 NON-SLIP STRIP	
2	4401030000	SLIDE SUPPORT ANCHOR		9	4401030207	ANCHOR BOLTS	
3	4401030001	BABY BLUE STAINLESS STEEL SLIDE FOO		10	4401030005	4 X 6 TRANSPARENT TUBING	
4	4401030002	SLIDE FOOT ANCHOR		11	10899R0400	SLIDE HANDRAILS SET	
5	4401030003	BLACK TUBULAR PROFILE		12	10899R0302	LADDER	
6	4401030106	WATER NOZZLE		13	10899R0301	SLIDE RUNWAY	
7	4401070306	INNER TREAD BOLTS					

CODICE **10899**

DESCRIZIONE: **SCIVOLI BABY BLUE**

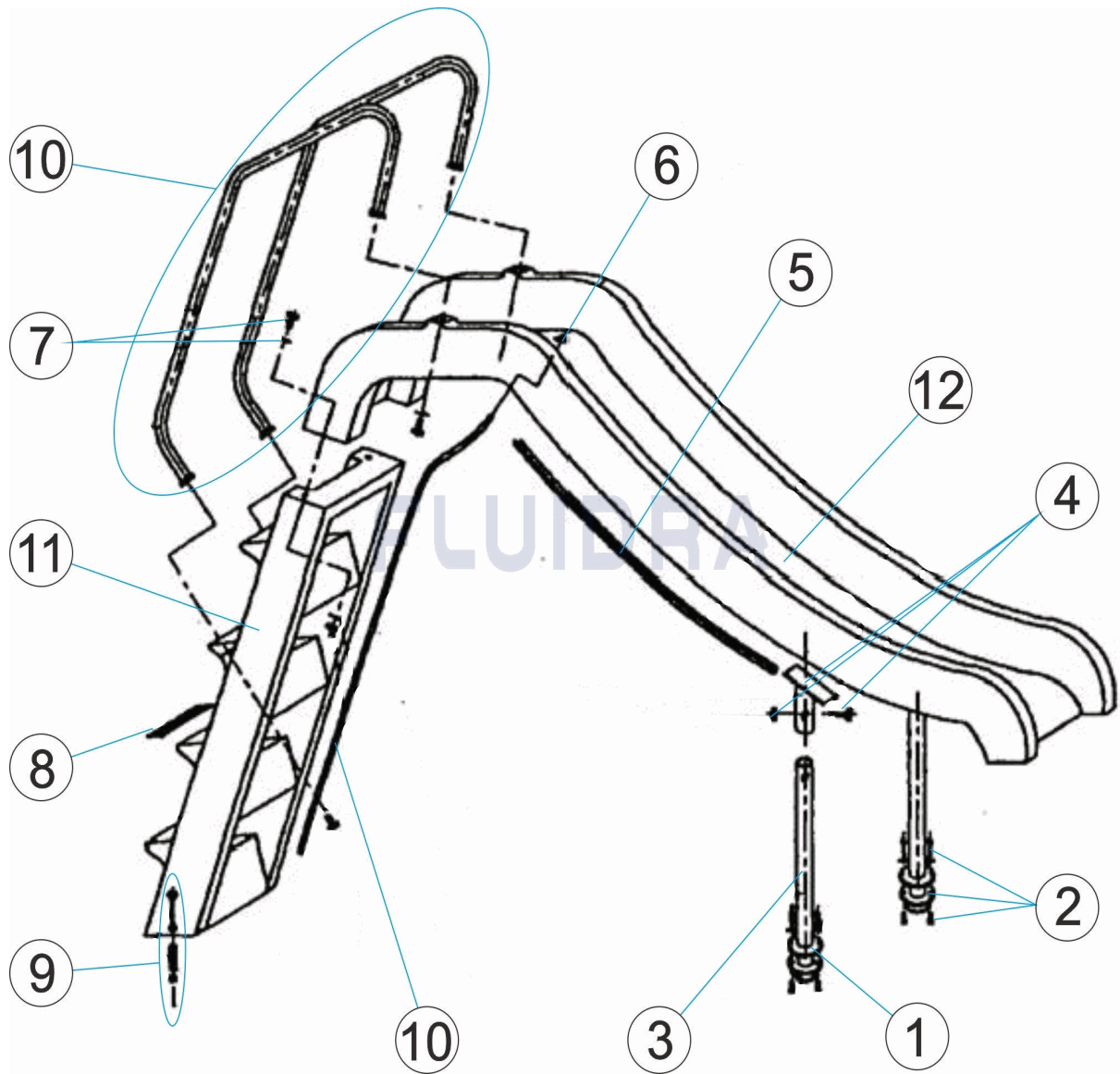


**ITALIANO**

POS	CODICE	DESCRIZIONE	QUANTITA'	POS	CODICE	DESCRIZIONE	QUANTITA'
1	4401010102	COPRIFLANGIA ANCORAGGIO AISI 304		8	4401030004	STRISCE ANTISCIVOLO 50X325	
2	4401030000	ANCORAGGIO SUPPORTO SCIVOLO		9	4401030207	VITI DI ANCORAGGIO	
3	4401030001	PIEDE INOX SCIVOLO BABY BLUE		10	4401030005	TUBO CRISTALLO 4 X 6	
4	4401030002	ANCORAGGIO PIEDE SCIVOLO		11	10899R0400	CONG. CORRIMANI SCIVOLO	
5	4401030003	PROFILO NERO TUBO		12	10899R0302	SCALA	
6	4401030106	RACCORDO MANDATA ACQUA		13	10899R0301	PISTA SCIVOLO	
7	4401070306	BULLONERIA INTERNA GRADINO					

CODE **10899**

BESCHREIBUNG: RUTSCHE MODEL BABY BLUE

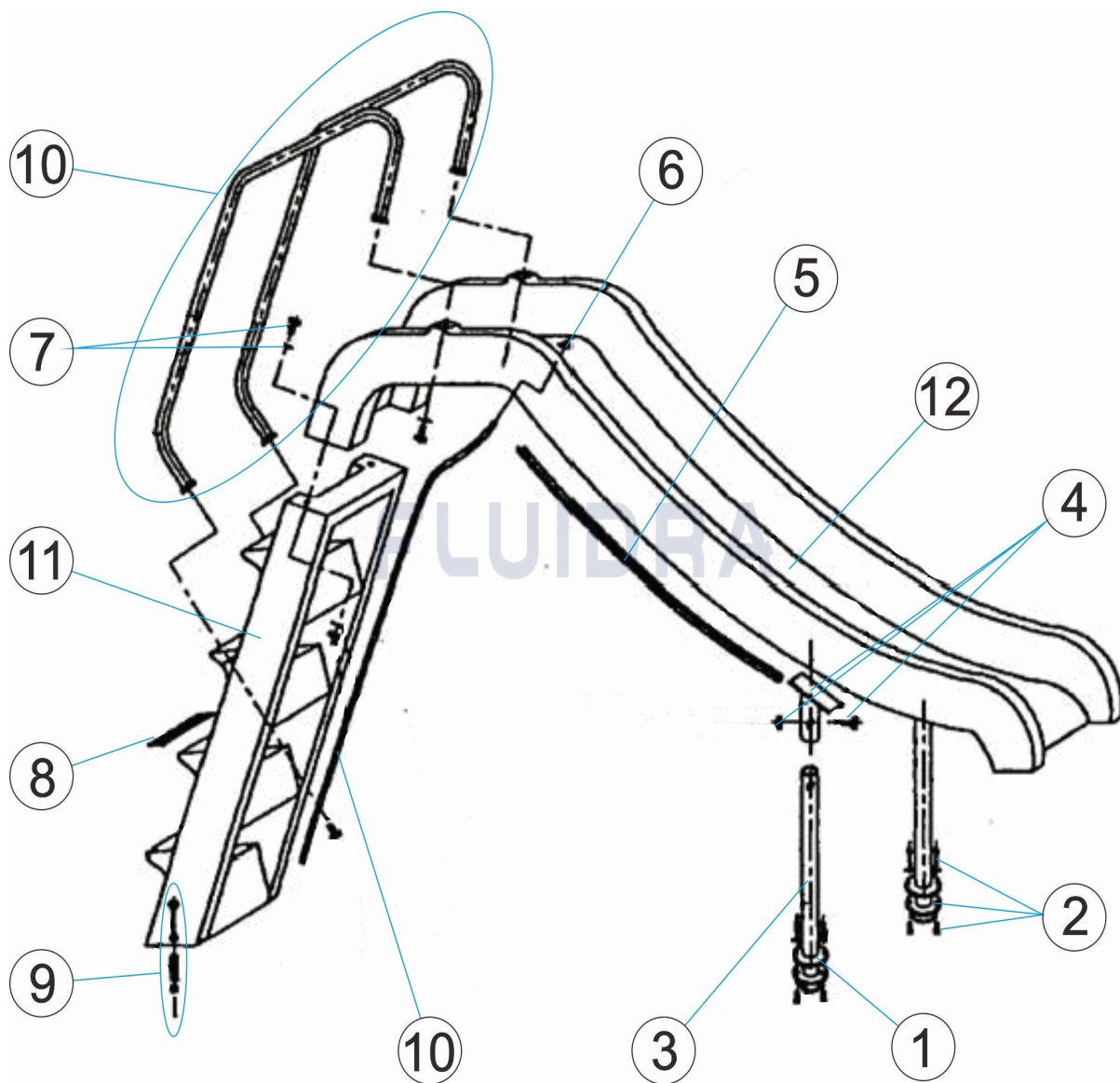


**DEUTSCH**

POS	CODE	BESCHREIBUNG	MENGE	POS	CODE	BESCHREIBUNG	MENGE
1	4401010102	DEKO-ABSCHLUSSRING 304		8	4401030004	ANTIGLEITSTREIFEN 50 X 325	
2	4401030000	VERANKERUNG RUTSCHENHALTERUNG		9	4401030207	VERANKERUNGSSCHRAUBE	
3	4401030001	FUSS EDELSTAHL RUTSCHE BABY BLUE		10	4401030005	GLASROHR 4 X 6	
4	4401030002	VERANKERUNG RUTSCHENFUSS		11	10899R0400	SET GELÄNDER	
5	4401030003	PROFIL SCHWARZ ROHR		12	10899R0302	TREPPE	
6	4401030106	GEWINDESTÜCK EINLAUF WASSER		13	10899R0301	RUTSCHE	
7	4401070306	SCHRAUBENSATZ INNEN STUFE					

CODIGO **10899**

DESCRIÇÃO: **ESCORREGAS BABY BLUE**



**PORTUGUES**

POS	CODIGO	DESCRIÇÃO	JANTIDADE	POS	CODIGO	DESCRIÇÃO	JANTIDADE
1	4401010102	ESPELHO 304		8	4401030004	TIRA ANTIDERRAPANTE 50X325	
2	4401030000	ANCORAGEM SUPORTE ESCORREGA		9	4401030207	ÂNCORA PARAFUSO	
3	4401030001	PÉ INOX ESCORREGA BABY BLUE		10	4401030005	TUBO CRISTAL 4 X 6	
4	4401030002	ANCORAGEM PÉ ESCORREGA		11	10899R0400	CONJ. CORRIMÕES ESCORREGA	
5	4401030003	PERFIL PRETO TUBO		12	10899R0302	ESCADA	
6	4401030106	RACORD IMPULSÃO ÁGUA		13	10899R0301	PISTA ESCORREGA	
7	4401070306	CONJ.PARAFUSOS INTERIOR DEGRAU					