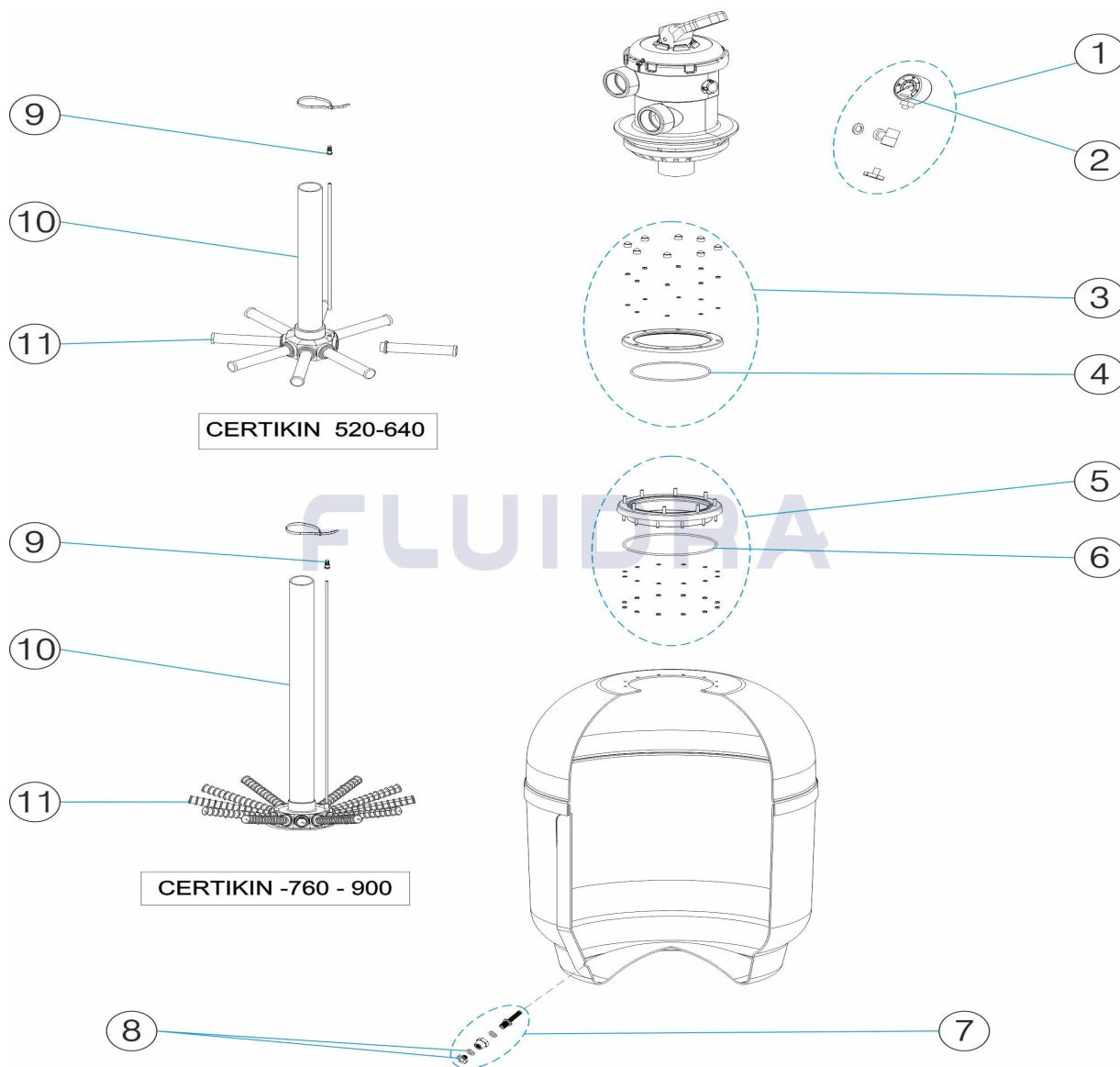


CODIGO **HS520/T, HS640/T, HS760/T, HS900/T**

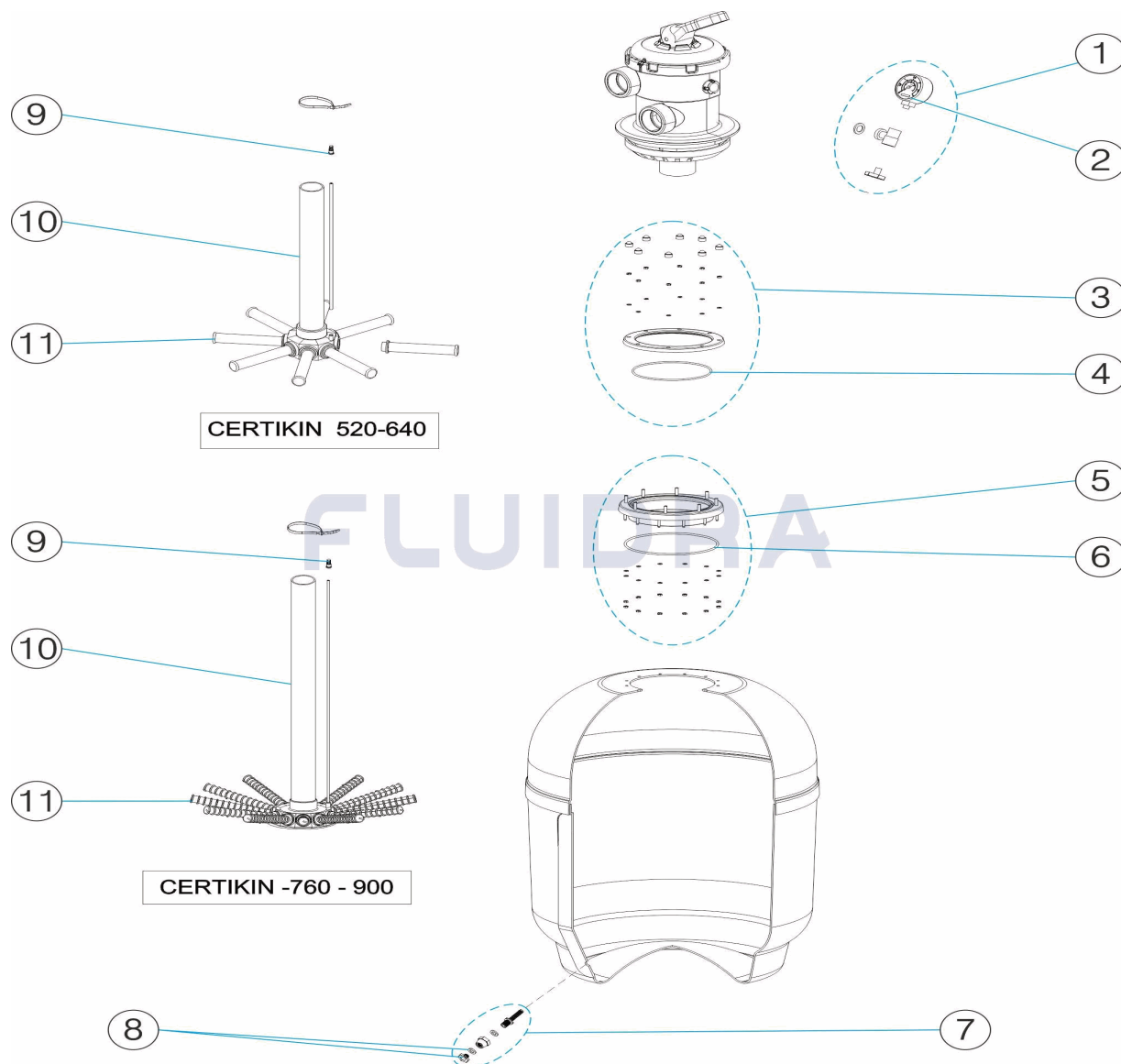
 DESCRIPCION: **FILTRO TAPA TORNILLOS TOP 1018**

ESPAÑOL

POS	CODIGO	DESCRIPCION	CANTIDAD	POS	CODIGO	DESCRIPCION	CANTIDAD
1	CE11020206	MANOMETRO COMPLETO		10	* CE04300809	CJTO. COLECTOR 520 1"	
2	CE11020407	MANOMETRO 1/8" 3 KG/C "		10	* CE04300810	CJTO. COLECTOR 640 1"	
3	CE04300803	ARO FIJACION CON TUERCAS		10	* CE04300811	CJTO. COLECTOR 760 1"	
4	CE04260106	JUNTA ARO FIJACION VALVULA		10	* CE04300812	CJTO. COLECTOR 900 1"	
5	CE04300615	ARO CUELLO 20 TORNILLOS		11	* CE04300917	BRAZO COLECTOR 1" 110 M "	
6	CE04020116	JUNTA TORICA 255X4		11	* CE04300915	BRAZO COLECTOR 1" 175 M "	
7	CE04010108	PURGA AGUA 3/8"		11	* CE04300916	BRAZO COLECTOR 1" 225 M "	
8	CE04040113	TAPON PURGA Y JUNTA		11	* CE04290109	BRAZO COLECTOR 1" 265 M "	
9	CE04040108	PURGA AIRE					

CODIGO **HS520/T, HS640/T, HS760/T, HS900/T**DESCRIPCION: **FILTRO TAPA TORNILLOS TOP 1018****OBSERVACIONES**

POS	CODIGO	OBSERVACIONES
10	*CE04300809	PARA: HS520/T
10	*CE04300810	PARA: HS640/T
10	*CE04300811	PARA: HS760/T
10	*CE04300812	PARA: HS900/T
11	*CE04300917	PARA: HS520/T
11	*CE04300915	PARA: HS640/T
11	*CE04300916	PARA: HS760/T
11	*CE04290109	PARA: HS900/T

CODE **HS520/T, HS640/T, HS760/T, HS900/T**

 DESCRIPTION: **FILTRE COUVERCLE VIS TOP 1018**

FRANCAIS

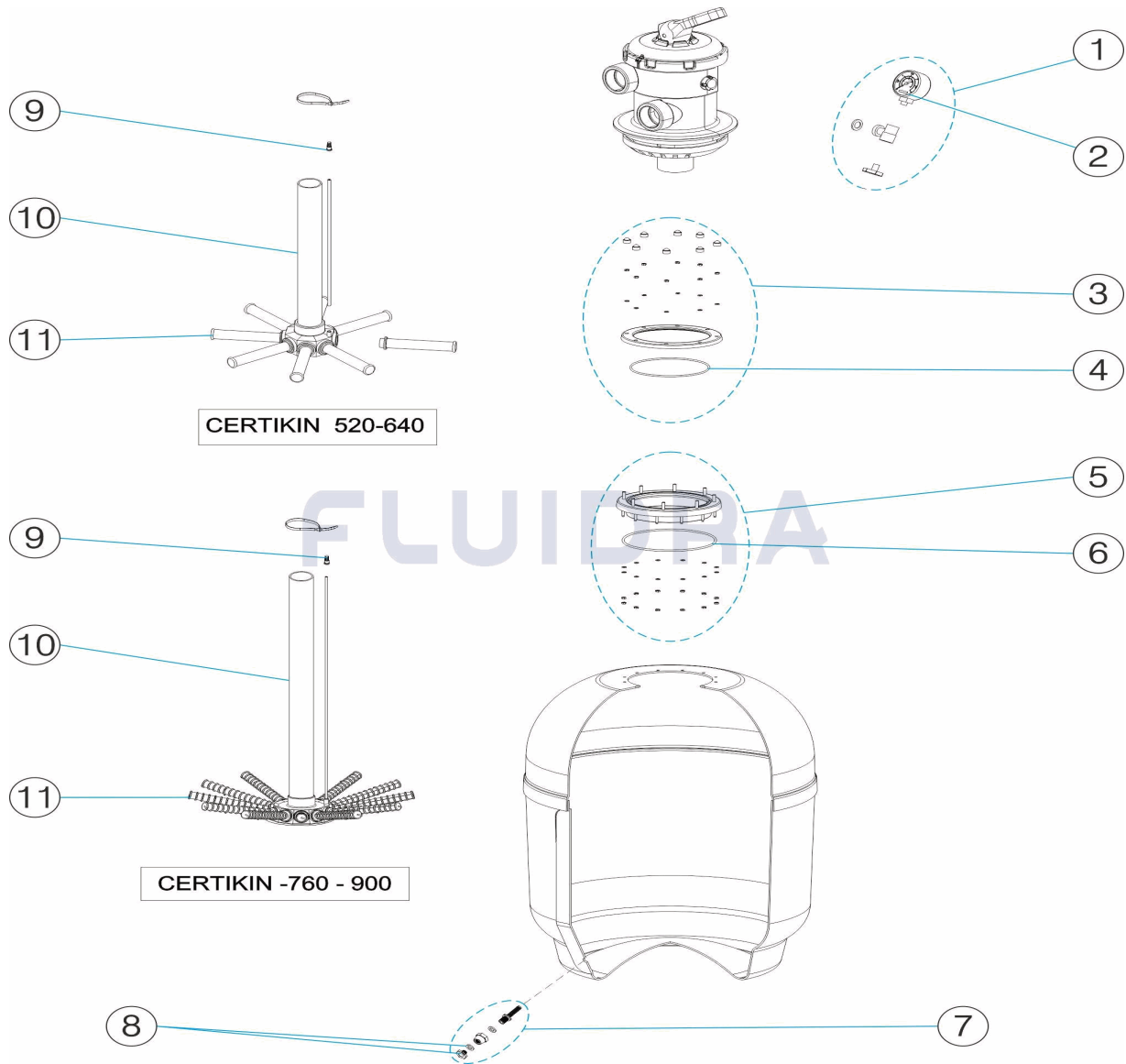
POS	CODE	DESCRIPTION	QUANTITE	POS	CODE	DESCRIPTION	QUANTITE
1	CE11020206	MANOMETRE COMPLET		10	* CE04300809	ENSEMBLE COLLECTEUR 520 1"	
2	CE11020407	MANOMETRE 1/8" 3 KG./C "		10	* CE04300810	ENSEMBLE COLLECTEUR 640 1"	
3	CE04300803	ANNEAU DE FIXATION ET VIS		10	* CE04300811	ENSEMBLE COLLECTEUR 760 1"	
4	CE04260106	JOINT BRIDE FIXATION VANNE TOP		10	* CE04300812	ENSEMBLE COLLECTEUR 900 1"	
5	CE04300615	BRIDE GORGE 20 VIS		11	* CE04300917	BRAS DE REPARTITEUR 1" 110 M "	
6	CE04020116	JOINT TORIQUE 255X4		11	* CE04300915	BRAS DE REPARTITEUR 1" 175 M "	
7	CE04010108	PURGE D'EAU 3/8"		11	* CE04300916	BRAS DE REPARTITEUR 1" 225 M "	
8	CE04040113	BOUCHON PURGE ET JOINT		11	* CE04290109	BRAS DE REPARTITEUR 1" 265 M/M "	
9	CE04040108	PURGE D'AIR					

CODE **HS520/T, HS640/T, HS760/T, HS900/T**DESCRIPTION: **FILTRE COUVERCLE VIS TOP 1018**

OBSERVATIONS

POS	CODE	OBSERVATIONS
10	*CE04300809	POUR: HS520/T
10	*CE04300810	POUR: HS640/T
10	*CE04300811	POUR: HS760/T
10	*CE04300812	POUR: HS900/T
11	*CE04300917	POUR: HS520/T
11	*CE04300915	POUR: HS640/T
11	*CE04300916	POUR: HS760/T
11	*CE04290109	POUR: HS900/T

CODE **HS520/T, HS640/T, HS760/T, HS900/T**

 DESCRIPTION: **SCREWS COVER TOP 1018 FILTER**

ENGLISH

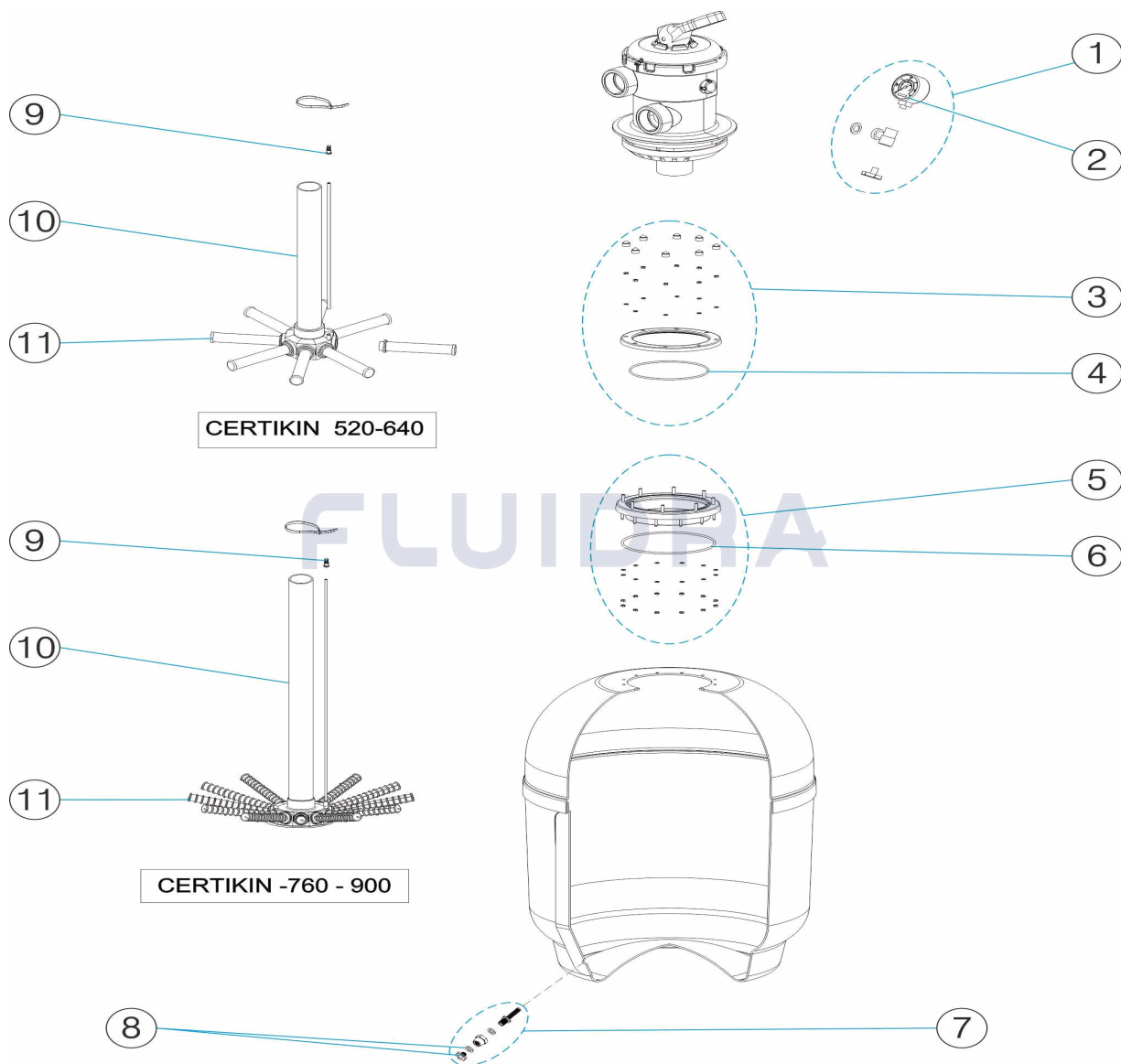
POS	CODE	DESCRIPTION	QUANTITY	POS	CODE	DESCRIPTION	QUANTITY
1	CE11020206	COMPLETE PRESSURE GAUGE UNIT		10	* CE04300809	MANIFOLD ASSEMBLY 520 1"	
2	CE11020407	PRESSURE GAUGE 1/8" 3 KG./C "		10	* CE04300810	MANIFOLD ASSEMBLY 640 1"	
3	CE04300803	FIXING RIM AND NUTS		10	* CE04300811	MANIFOLD ASSEMBLY 760 1"	
4	CE04260106	VALVE TOP RING FIXING GASKET		10	* CE04300812	MANIFOLD ASSEMBLY 900 1"	
5	CE04300615	20-SCREW NECK RING		11	* CE04300917	MANIFOLD ARM 1" 110 M "	
6	CE04020116	O' RING 255X4		11	* CE04300915	MANIFOLD ARM 1" 175 M "	
7	CE04010108	WATER PURGE 3/8"		11	* CE04300916	MANIFOLD ARM 1" 225 M "	
8	CE04040113	DRAIN PLUG AND GASKET		11	* CE04290109	COLLECTOR ARM 1" 265 M "	
9	CE04040108	AIR PURGE					

CODE **HS520/T, HS640/T, HS760/T, HS900/T**DESCRIPTION: **SCREWS COVER TOP 1018 FILTER**

OBSERVATIONS

POS	CODE	OBSERVATIONS
10	*CE04300809	FOR: HS520/T
10	*CE04300810	FOR: HS640/T
10	*CE04300811	FOR: HS760/T
10	*CE04300812	FOR: HS900/T
11	*CE04300917	FOR: HS520/T
11	*CE04300915	FOR: HS640/T
11	*CE04300916	FOR: HS760/T
11	*CE04290109	FOR: HS900/T

CODICE **HS520/T, HS640/T, HS760/T, HS900/T**

 DESCRIZIONE: **FILTRO COPERCHIO VITI TOP 1018**

ITALIANO

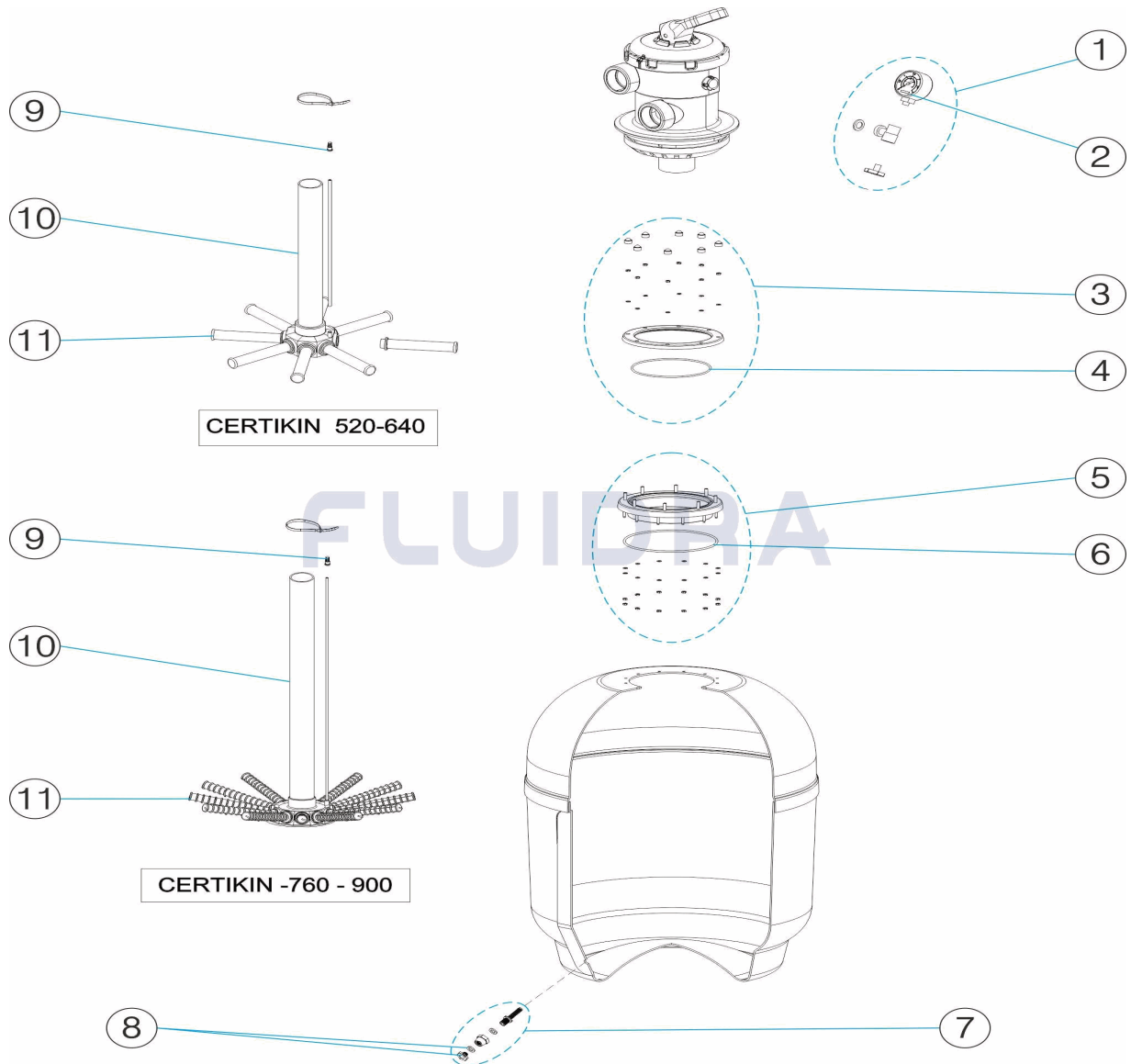
POS	CODICE	DESCRIZIONE	QUANTITA'	POS	CODICE	DESCRIZIONE	QUANTITA'
1	CE11020206	MANOMETRO COMPLETO		10	* CE04300809	KIT COLLETTORE 520 1"	
2	CE11020407	MANOMETRO 1/8" 3 KG./C "		10	* CE04300810	KIT COLLETTORE 640 1"	
3	CE04300803	ANELLO DI FISSAGGIO CON DADI		10	* CE04300811	KIT COLLETTORE 760 1"	
4	CE04260106	GUARNIZIONE FLANGIA FISSAGGIO VALVOL		10	* CE04300812	KIT COLLETTORE 900 1"	
5	CE04300615	ANELLO COLLO 20 VITI		11	* CE04300917	CANDELOTTO COLLECTORE 1" 110 M "	
6	CE04020116	O-RING 255X4		11	* CE04300915	CANDELOTTO COLLECTORE 1" 175 M "	
7	CE04010108	SCARICO ACQUA 3/8"		11	* CE04300916	CANDELOTTO COLLECTORE 1" 225 M "	
8	CE04040113	TAPPO SPURGO E GUARNIZIONE		11	* CE04290109	CANDELOTTO 1" 265 M/M "	
9	CE04040108	SFIATO ARIA					

CODICE **HS520/T, HS640/T, HS760/T, HS900/T**DESCRIZIONE: **FILTRO COPERCHIO VITI TOP 1018**

OSSERVAZIONI

POS	CODICE	OSSERVAZIONI
10	*CE04300809	PER: HS520/T
10	*CE04300810	PER: HS640/T
10	*CE04300811	PER: HS760/T
10	*CE04300812	PER: HS900/T
11	*CE04300917	PER: HS520/T
11	*CE04300915	PER: HS640/T
11	*CE04300916	PER: HS760/T
11	*CE04290109	PER: HS900/T

CODE **HS520/T, HS640/T, HS760/T, HS900/T**

 BESCHREIBUNG: **FILTER SCHRAUBEN TOP 1018**

DEUTSCH

POS	CODE	BESCHREIBUNG	MENGE	POS	CODE	BESCHREIBUNG	MENGE
1	CE11020206	MANOMETER KOMPLETT		10	* CE04300809	SAMMELROHRSET 520 1"	
2	CE11020407	MANOMETER 1/8" 3 KG/C "		10	* CE04300810	SAMMELROHRSET 640 1"	
3	CE04300803	FIXIERRING MIT MUTTERN		10	* CE04300811	SAMMELROHRSET 760 1"	
4	CE04260106	DICHTUNG FIXIERRING VENTIL		10	* CE04300812	SAMMELROHRSET 900 1"	
5	CE04300615	FILTERRING 20 SCHRAUBEN		11	* CE04300917	FILTERSTERN-SCHLITZROHR 1" 110 M "	
6	CE04020116	O-RING 255 X 4		11	* CE04300915	FILTERSTERN-SCHLITZROHR 1" 175 M "	
7	CE04010108	WASSERABLASS 3/8"		11	* CE04300916	FILTERSTERN-SCHLITZROHR 1" 225 M "	
8	CE04040113	ABLASSSTOPFEN UND DICHTUNG		11	* CE04290109	FILTERSTERN-SCHLITZROHR 1" 265 M "	
9	CE04040108	ENTLÜFTUNG					

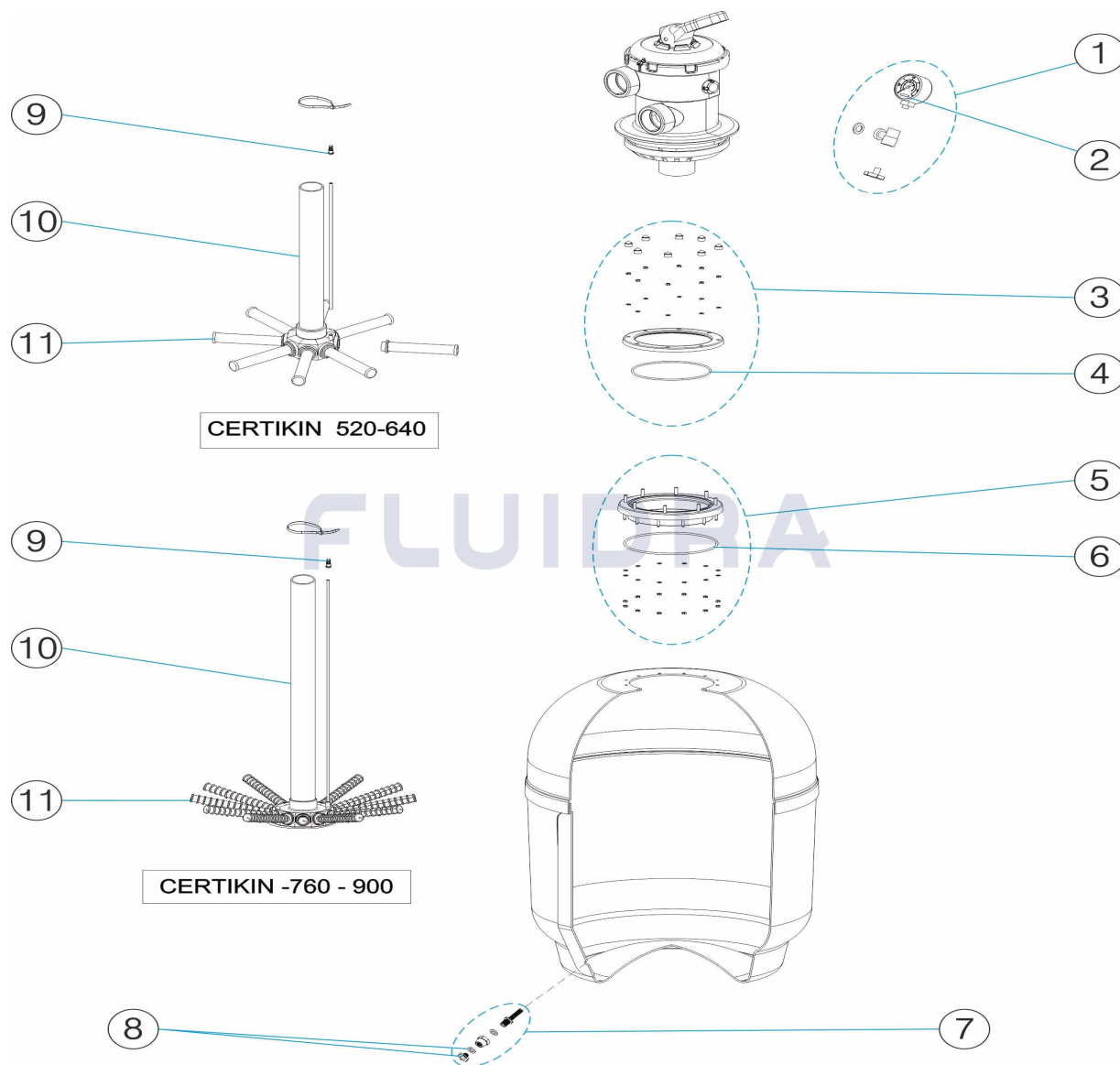
CODE **HS520/T, HS640/T, HS760/T, HS900/T**

BESCHREIBUNG: **FILTER SCHRAUBEN TOP 1018**

HINWEISE

POS	CODE	HINWEISE
10	*CE04300809	FÜR: HS520/T
10	*CE04300810	FÜR: HS640/T
10	*CE04300811	FÜR: HS760/T
10	*CE04300812	FÜR: HS900/T
11	*CE04300917	FÜR: HS520/T
11	*CE04300915	FÜR: HS640/T
11	*CE04300916	FÜR: HS760/T
11	*CE04290109	FÜR: HS900/T

CODIGO **HS520/T, HS640/T, HS760/T, HS900/T**

 DESCRIÇÃO: **FILTRO TAMPA PARAFUSOS TOP 1018**


PORTUGUES

POS	CODIGO	DESCRIÇÃO	JANTIDADE	POS	CODIGO	DESCRIÇÃO	JANTIDADE
1	CE11020206	MANÓMETRO COMPLETO		10	* CE04300809	CJTO. COLECTOR 520 1"	
2	CE11020407	MANOMETRO 1/8" 3 KG./C "		10	* CE04300810	CJTO. COLECTOR 640 1"	
3	CE04300803	ARO DE FIXAÇÃO COM PORCAS		10	* CE04300811	CJTO. COLECTOR 760 1"	
4	CE04260106	JUNTA ARO FIXAÇÃO VALVULA TOP		10	* CE04300812	CJTO. COLECTOR 900 1"	
5	CE04300615	ARO PESCOCOÇO 20 PARAFUSOS		11	* CE04300917	BRAÇO COLECTOR 1" 110 M "	
6	CE04020116	JUNTA TÓRICA 255X4		11	* CE04300915	BRAÇO COLECTOR 1" 175 M "	
7	CE04010108	PURGA AGUA 3/8"		11	* CE04300916	BRAÇO COLECTOR 1" 225 M "	
8	CE04040113	TAMPÃO PURGA E JUNTA		11	* CE04290109	BRAÇO COLECTOR 1" 265 M/M "	
9	CE04040108	PURGA AREIA					

CODIGO **HS520/T, HS640/T, HS760/T, HS900/T**DESCRIÇÃO: **FILTRO TAMPA PARAFUSOS TOP 1018****OBSERVAÇÕES**

POS	CODIGO	OBSERVAÇÕES
10	*CE04300809	PARA: HS520/T
10	*CE04300810	PARA: HS640/T
10	*CE04300811	PARA: HS760/T
10	*CE04300812	PARA: HS900/T
11	*CE04300917	PARA: HS520/T
11	*CE04300915	PARA: HS640/T
11	*CE04300916	PARA: HS760/T
11	*CE04290109	PARA: HS900/T