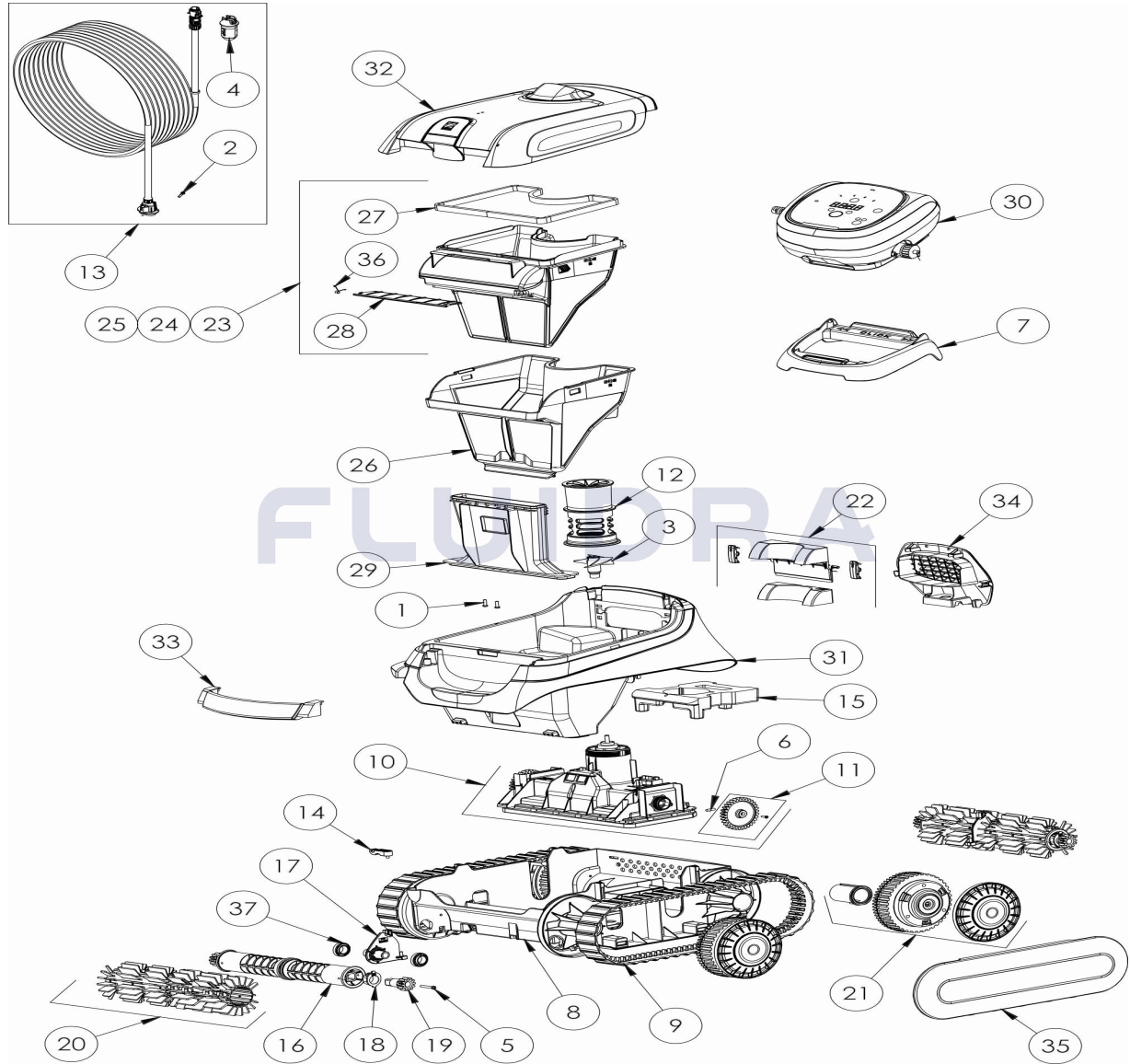




CODIGO **WR000329**DESCRIPCION: **30 XA IQ**

14	R0896200	BRIDA FIJACION DEL CABLE CN	1	29	R0898500	CANALIZADOR DE ASPIRACION CN	1
15	R0896300	FLOTADOR CHASIS CN	1	30	R0898800	UNIDAD DE CONTROL CN TYPE 3 EU	1
31	R0900400	CUERPO CN A, GRIS CLARO	1	35	R0902200	TAPAS LATERALES CN LARGAS (*2)	1
32	R0901100	TAPA COMPLETA CN A	1	36	R0905500	MUELLE TAPA VALVULA FILTROCN	1
33	R0901600	EMPUÑADURA CN A BLANCA	1	37	W79034	COJINETE, (RUEDA Y MOTOR)	4
34	R0902100	REJILLA TRASERA CN A, NEGRA	1				

CODE **WR000329**

 DESCRIPTION: **30 XA IQ**

**FRANCAIS**

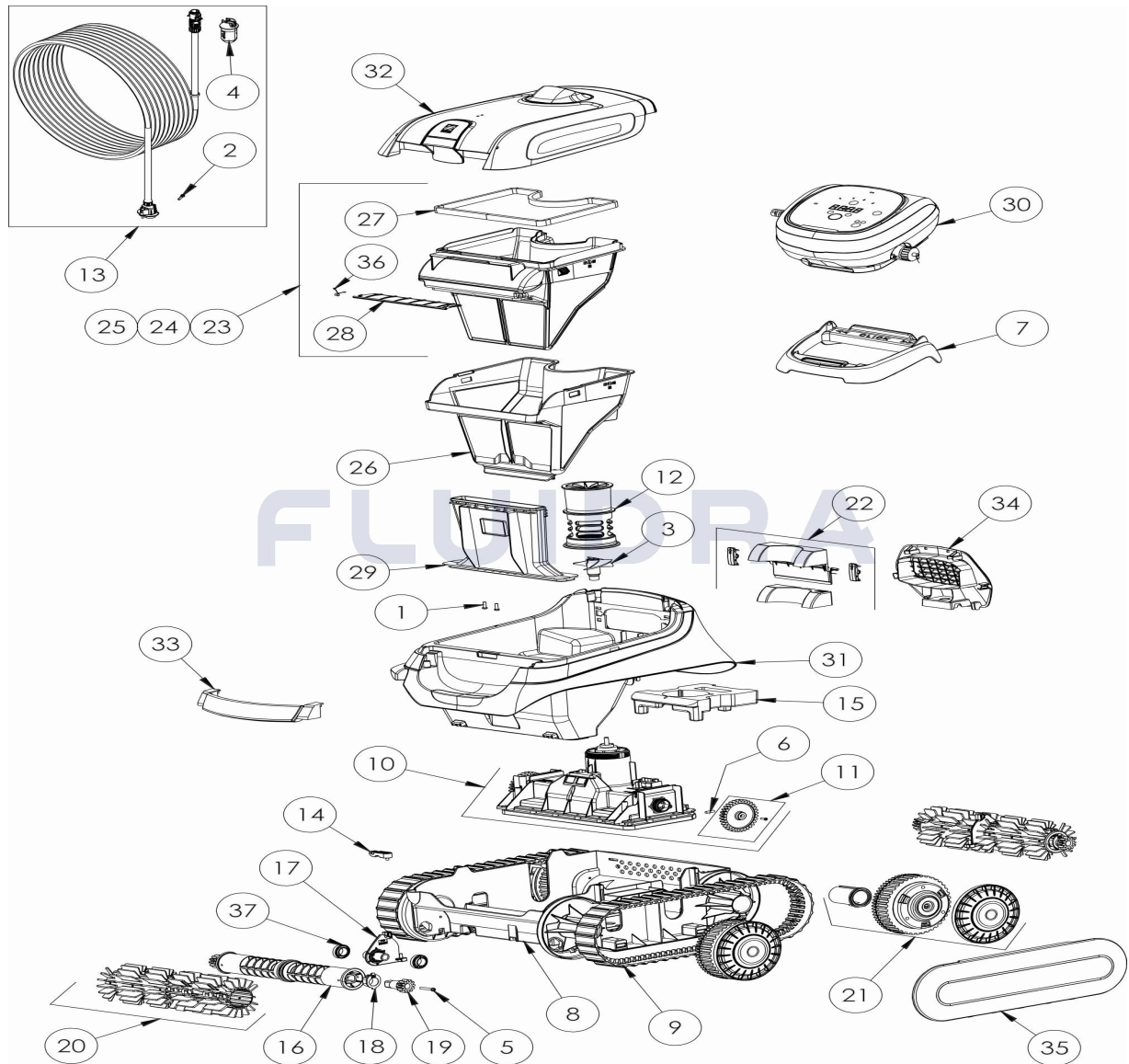
POS	CODE	DESCRIPTION	QUANTITE	POS	CODE	DESCRIPTION	QUANTITE
1	R0516700	VIS 4*12 MM (X5)	1	16	R0896400	SUPPORT BROSSE CN (*2)	2
2	R0608500	VIS 4*16 MM A4 (*5)	1	17	R0896500	PONTET BROSSE CN	2
3	R0633200	HELICE CYCLONX	1	18	R0896600	PALIER EXTERIEUR CN (*2)	2
4	R0634100	CAPOT CONNECTEUR 3 PTS	1	19	R0896700	PIGNON BROSSE CN (*2)	2
5	R0638900	VIS 4*25 MM (*5)	1	20	R0896900	BROSSE CN GRIS CLAIR (*2)	2
6	R0657900	GOUPILLE ø4 AXE BLOC MOTEUR (*5)	1	21	R0897300	ROUE CN	4
7	R0662600	SOCLE COFFRET COMMANDE	1	22	R0897400	KIT CLAPET ARRIERE CN	1
8	R0895100	CHASSIS CN	1	23	R0897500	FILTRE CN 100µ - SINGLE	1
9	R0895200	CHENILLE CN (*2)	1	24	R0897600	FILTRE CN 150µ - DUAL	1
10	R0895500	BLOC MOTEUR CN LED	1	25	R0897700	FILTRE CN 200µ - SINGLE	1
11	R0895600	PIGNON CN (*2)	1	26	R0898100	SUR-FILTRE 60µ - DUAL	1
12	R0895700	GUIDE FLUX CN	1	27	R0898300	JOINT COUVERCLE CN	1
13	R0895900	CABLE FLOTTANT CN 18M	1	28	R0898400	CLAPET FILTRE CN	1

CODE **WR000329**DESCRIPTION: **30 XA IQ**

14	R0896200	ATTACHE CABLE CN	1	29	R0898500	CONDUIT ASPIRATION CN	1
15	R0896300	FLOTTEUR CHASSIS CN	1	30	R0898800	COFFRET DE COMMANDE CN TYPE 3 EU	1
31	R0900400	COQUE CN A GRIS CLAIR	1	35	R0902200	FLASQUE CN LONG (*2)	1
32	R0901100	COUVERCLE CN A	1	36	R0905500	RESSORT CLAPET FILTRE CN	1
33	R0901600	POIGNEE CN A BLANC	1	37	W79034	ROULEMENT (ROUE ET MOTEUR)	4
34	R0902100	GRILLE ARRIERE CN A NOIR	1				

CODE **WR000329**

DESCRIPTION: **30 XA IQ**



**ENGLISH**

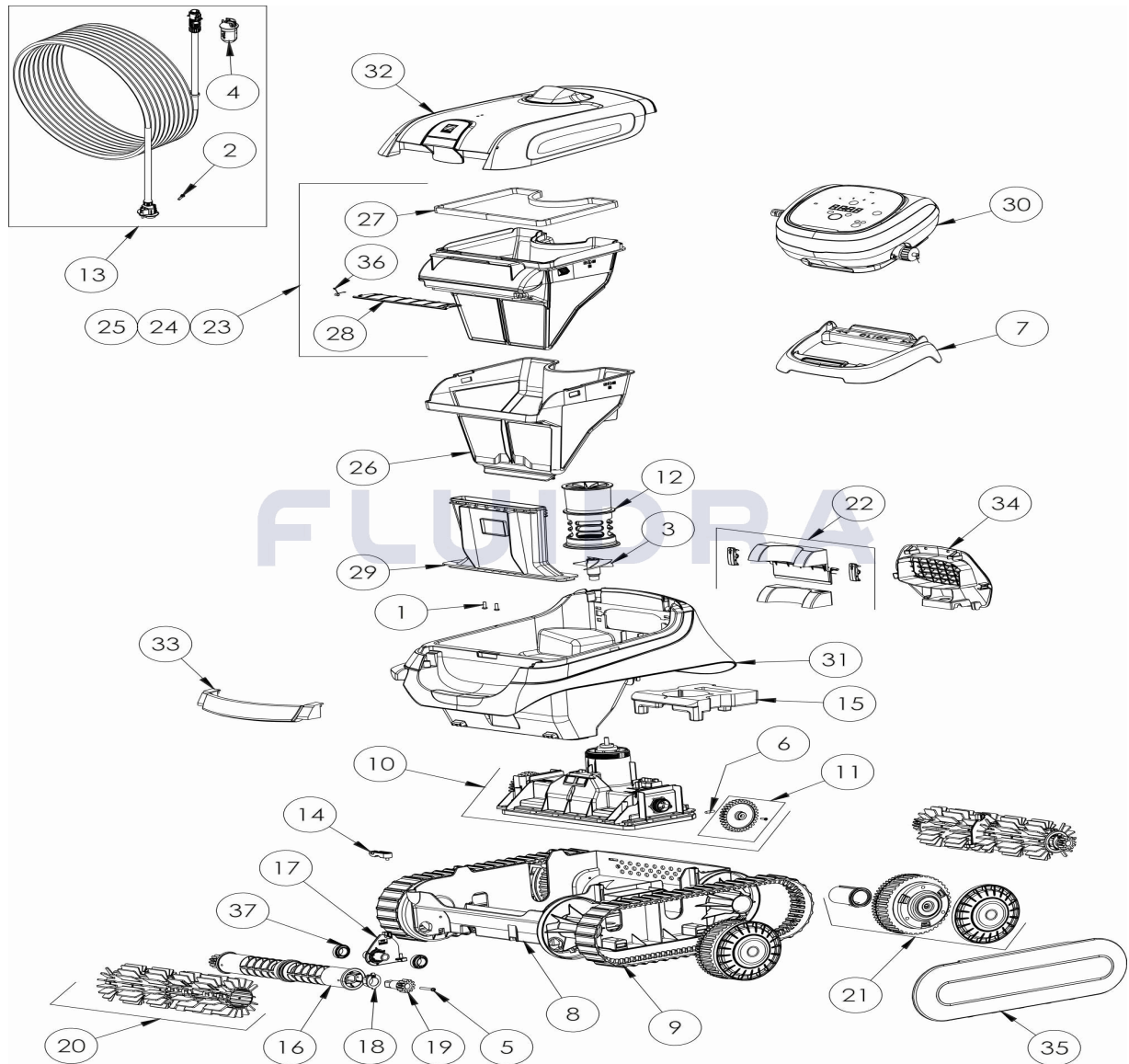
POS	CODE	DESCRIPTION	QUANTITY	POS	CODE	DESCRIPTION	QUANTITY
1	R0516700	SCREWS 4*12 MM (X5)	1	16	R0896400	BRUSH ROLLER CN (*2)	2
2	R0608500	SCREW 4*16MM (set of 5)	1	17	R0896500	ROLLER SUPPORT CN	2
3	R0633200	IMPELLER CYCLONX	1	18	R0896600	OUTER BEARING CN, (*2)	2
4	R0634100	CONNECTOR 3PTS BODY	1	19	R0896700	12 POINT GEAR, CN (*2)	2
5	R0638900	SCREW 4*25 MM (SET OF 5)	1	20	R0896900	BRUSH SCRUBBER CN GREY (*2)	2
6	R0657900	MOTOR BLOCK SHAFT PIN Ø4 (SET OF 5)	1	21	R0897300	WHEEL CN, BLACK	4
7	R0662600	CONTROL UNIT BASE	1	22	R0897400	REAR FLAP DOOR KIT CN	1
8	R0895100	LOWER HOUSING CHASSIS CN	1	23	R0897500	FILTER CN 100µ - SINGLE	1
9	R0895200	TRACK CN (*2)	1	24	R0897600	FILTER CN 150µ - DUAL	1
10	R0895500	MOTOR BLOCK KIT CN, LED	1	25	R0897700	FILTER CN 200µ - SINGLE	1
11	R0895600	DRIVE GEAR KIT (*2)	1	26	R0898100	OVER FILTER CN 60µ - DUAL	1
12	R0895700	FLOW OUTLET CN	1	27	R0898300	CANISTER SEAL CN	1
13	R0895900	FLOATING CABLE CN, 18M	1	28	R0898400	CANISTER INLET FLAP CN	1

CODE                      **WR000329**

DESCRIPTION: **30 XA IQ**

14	R0896200	CABLE STRAIN RELIEF CN	1	29	R0898500	INLET CHANNEL CN	1
15	R0896300	CHASSIS FLOAT CN	1	30	R0898800	CONTROL BOX CN TYPE 3 EU	1
31	R0900400	BODY HOUSING CN A, LIGHT GREY	1	35	R0902200	LONG FLANGE CN BLACK (*2)	1
32	R0901100	COMPLETE COVER CN A, CLEAR	1	36	R0905500	CANISTER INLET FLAP SPRING CN	1
33	R0901600	HANDLE CN A, WHITE	1	37	W79034	BEARING (WHEEL & ENGINE)	4
34	R0902100	REAR GRID CN A, BLACK	1				

CODICE **WR000329**

 DESCRIZIONE: **30 XA IQ**

**ITALIANO**

POS	CODICE	DESCRIZIONE	QUANTITA'	POS	CODICE	DESCRIZIONE	QUANTITA'
1	R0516700	VITE 4*12 MM (*5)	1	16	R0896400	SUPPORTO SPAZZOLA CN (*2)	2
2	R0608500	VITE 4*16 MM A4 (*5)	1	17	R0896500	PONTICELLO SPAZZOLA CN	2
3	R0633200	ELICA CYCLONX	1	18	R0896600	CUSCINETTO ESTERNO CN (*2)	2
4	R0634100	ADATTATORE CAVO 3 PTS	1	19	R0896700	PIGNONE SPAZZOLA CN (*2)	2
5	R0638900	VITE 4*25 MM (*5)	1	20	R0896900	SPAZZOLE CN GRIGIO CHIARO (*2)	2
6	R0657900	KIT 5 PIN ALBERO MOTORE	1	21	R0897300	RUOTA CN	4
7	R0662600	PIEDISTALLO QUADRO COMANDI	1	22	R0897400	KIT CLAPET POSTERIORE CN	1
8	R0895100	TELAIO	1	23	R0897500	FILTRO CN 100µ - SINGLE	1
9	R0895200	CINGOLI CN (*2)	1	24	R0897600	FILTRO CN 150µ - DUAL	1
10	R0895500	BLOCCO MOTORE CN LED	1	25	R0897700	FILTRO CN 200µ - SINGLE	1
11	R0895600	PIGNONE CN (*2)	1	26	R0898100	FILTRO CN 60µ - DUAL	1
12	R0895700	GUIDA FLUSSO CN	1	27	R0898300	GUARNIZIONE COPERCHIO CN	1
13	R0895900	CAVO GALLEGGIANTE CN 18M	1	28	R0898400	CLAPET FILTRO CN	1

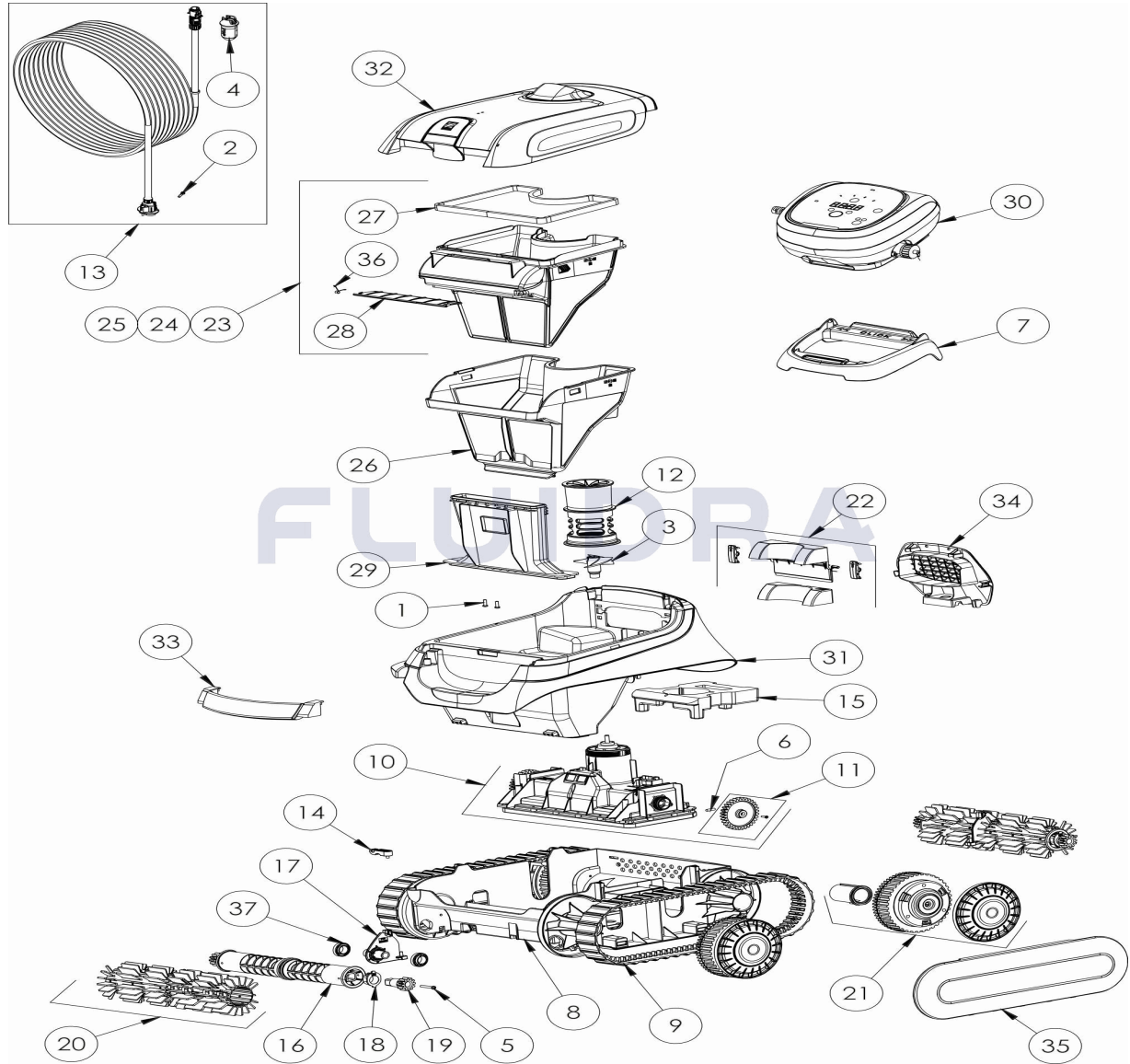
CODICE **WR000329**DESCRIZIONE: **30 XA IQ**

14	R0896200	AGGANCI CAVO CN	1	29	R0898500	CONDOTTO ASPIRAZIONE CN	1
15	R0896300	FLOTTANTE TELAIO CN	1	30	R0898800	QUADRO COMANDI CN TYPE 3 EU	1
31	R0900400	SCOCCA CN A GRIGIO CHIARO	1	35	R0902200	FLANGECN LONG (*2)	1
32	R0901100	COVER CN A	1	36	R0905500	MOLLA CLAPET FILTRO	1
33	R0901600	MANIGLIA CN A BIANCA	1	37	W79034	CUSCINETTO A SFERA	4
34	R0902100	GRIGLIA POSTERIORE CN A, NERA	1				



CODE **WR000329**

BESCHREIBUNG: **30 XA IQ**



**DEUTSCH**

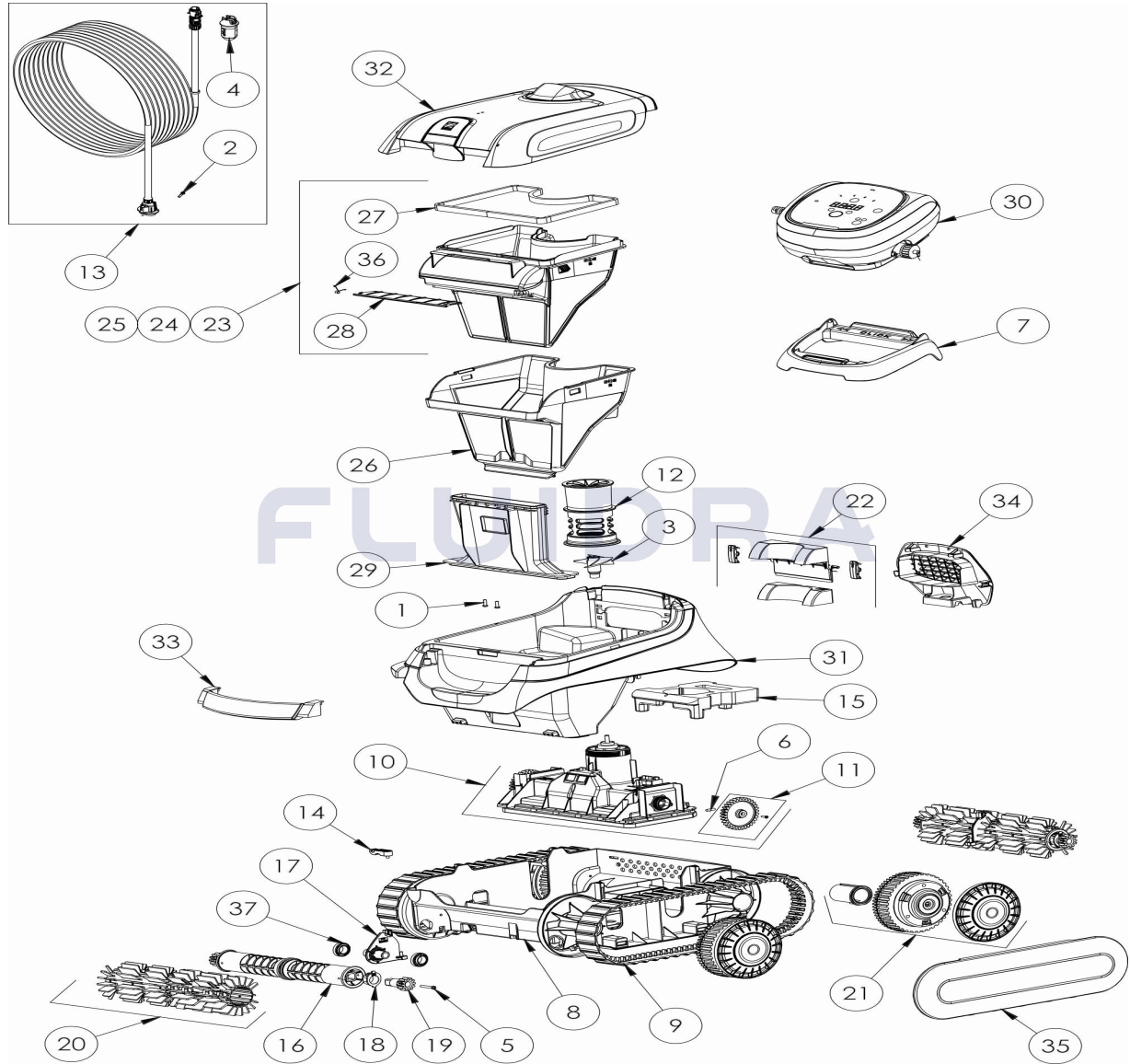
POS	CODE	BESCHREIBUNG	MENGE	POS	CODE	BESCHREIBUNG	MENGE
1	R0516700	SCHRAUBE 4 * 12 MM(SET mit 5 Stk.)	1	16	R0896400	BÜRSTENWALZE CN (*2)	2
2	R0608500	SCHRAUBE 4 * 16 MM, A4 (SET mit 5 Stk.)	1	17	R0896500	BÜRSTENANKER CN	2
3	R0633200	TURBINE (CYCLONX)	1	18	R0896600	LAGER AUSSEN CN (* 2)	2
4	R0634100	STECKERGEHÄUSE (CYCLONX)	1	19	R0896700	ZAHNRAD 12 ZÄHNE CN	2
5	R0638900	SCHRAUBE 4 * 25 MM, A2 (SET mit 5 Stk.)	1	20	R0896900	BÜRSTEN CN HELLGRAU (*2)	2
6	R0657900	BEFESTIGUNGSSTIFT FÜR MOTORBLOCK	1	21	R0897300	LENKRAD CN	4
7	R0662600	HALTERUNG STEUERBOX	1	22	R0897400	VENTLKLAPPENSET CN	1
8	R0895100	GEHÄUSE UNTERTEIL CN	1	23	R0897500	FILTER CN 100µ - SINGLE	1
9	R0895200	RAUPENBAND CN (*2)	1	24	R0897600	FILTER CN 150µ - DUAL	1
10	R0895500	MOTORBLOCK CN LED	1	25	R0897700	FILTER CN 200µ - SINGLE	1
11	R0895600	ZAHNRAD CN (*2)	1	26	R0898100	FILTERKORB AUSSEN CN 60µ - DUAL	1
12	R0895700	STRÖMUNGSDÜSE CN	1	27	R0898300	FILTERKORBDICHTUNG CN	1
13	R0895900	SCHWIMMKABEL KOMPLETT CN 18M	1	28	R0898400	FILTERKLAPPE CN	1

CODE **WR000329**BESCHREIBUNG: **30 XA IQ**

14	R0896200	KABELZUGENTLASTUNG CN	1	29	R0898500	SAUGKANAL CN	1
15	R0896300	SCHWIMMKÖRPER CHASSIS CN	1	30	R0898800	STEUERBOX CN TYPE 3 EU	1
31	R0900400	GEHÄUSE CN A HELLGRAU	1	35	R0902200	SEITENTEILE LANG SCHWARZ CN (*2)	1
32	R0901100	GEHÄUSEDECKEL KOMPLETT CN A	1	36	R0905500	FILTERKLAPPENFEDER CN	1
33	R0901600	GRIFSTÜCK CNA WEISS	1	37	W79034	KUGELLAGER	4
34	R0902100	GITTER HINTEN CN A, SCHWARZ	1				

CODIGO **WR000329**

DESCRIÇÃO: **30 XA IQ**



**PORTUGUES**

POS	CODIGO	DESCRIÇÃO	JANTIDADE	POS	CODIGO	DESCRIÇÃO	JANTIDADE
1	R0516700	PARAFUSO 4*12 MM (Pack 5 UN)	1	16	R0896400	ROLO PORTA-ESCOVAS CN (*2)	2
2	R0608500	PARAFUSO 4*16 MM A4 (Pack 5 UN)	1	17	R0896500	CLIP FIXAÇÃO ROLOS CN	2
3	R0633200	HÉLICE CYCLONX	1	18	R0896600	ROLAMENTO EXTERIOR CN (*2)	2
4	R0634100	CORPO LIGAÇÃO 3 PINS	1	19	R0896700	PINHÃO 12 DENTES, CN (*2)	2
5	R0638900	PARAFUSO 4*25 MM (Pack 5 UN)	1	20	R0896900	ESCOVAS CN CINZA CLARO (*2)	2
6	R0657900	PASSADOR Ø4 EIXO BLOCO MOTOR (PAC)	1	21	R0897300	RODA CN	4
7	R0662600	SUPORTE CAIXA DE COMANDOS	1	22	R0897400	KIT DE VÁLVULA TRASEIRA CN	1
8	R0895100	CHASSIS	1	23	R0897500	FILTRO CN 100µ - SINGLE	1
9	R0895200	LAGARTAS CN (*2)	1	24	R0897600	FILTRO CN 150µ - DUAL	1
10	R0895500	BLOCO MOTOR CN LED	1	25	R0897700	FILTRO CN 200µ - SINGLE	1
11	R0895600	RODA DENTADA CN (*2)	1	26	R0898100	FILTRO CN 60µ - DUAL	1
12	R0895700	CANALIZADOR DE FLUXO CN	1	27	R0898300	JUNTA DE TAMPA CN	1
13	R0895900	CABO FLUTUANTE CN 18M	1	28	R0898400	VÁLVULA DO FILTRO CN	1

CODIGO **WR000329**DESCRIÇÃO: **30 XA IQ**

14	R0896200	FLANGE DE FIXAÇÃO DE CABO CN	1	29	R0898500	BOCA DE ASPIRAÇÃO CN	1
15	R0896300	FLUTUADOR CHASSIS CN	1	30	R0898800	UNIDADE DE CONTROLO CN TYPE 3 EU	1
31	R0900400	CORPO CN A CINZA CLARO	1	35	R0902200	TAMPAS LATERAIS CN LONG (*2)	1
32	R0901100	TAMPA COMPLETA CN A	1	36	R0905500	MOLA DA VÁLVULA DO FILTRO CN	1
33	R0901600	PEGA CN A BRANCA	1	37	W79034	ROLAMENTO DE ESFERAS	4
34	R0902100	GRELHA TRASEIRA CN A, PRETO	1				