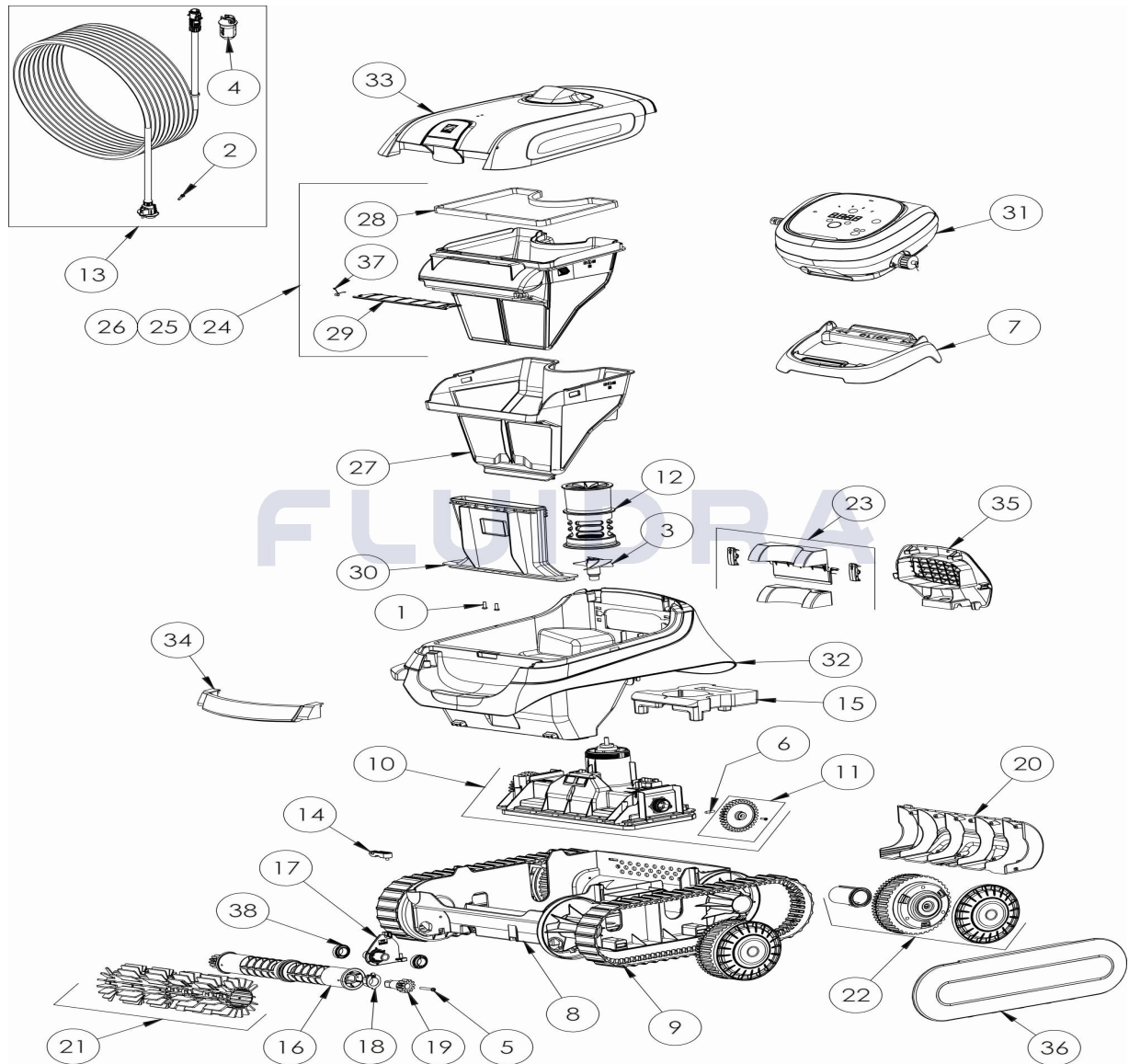


CODIGO **WR000333**

 DESCRIPCION: **20 XA**

ESPAÑOL

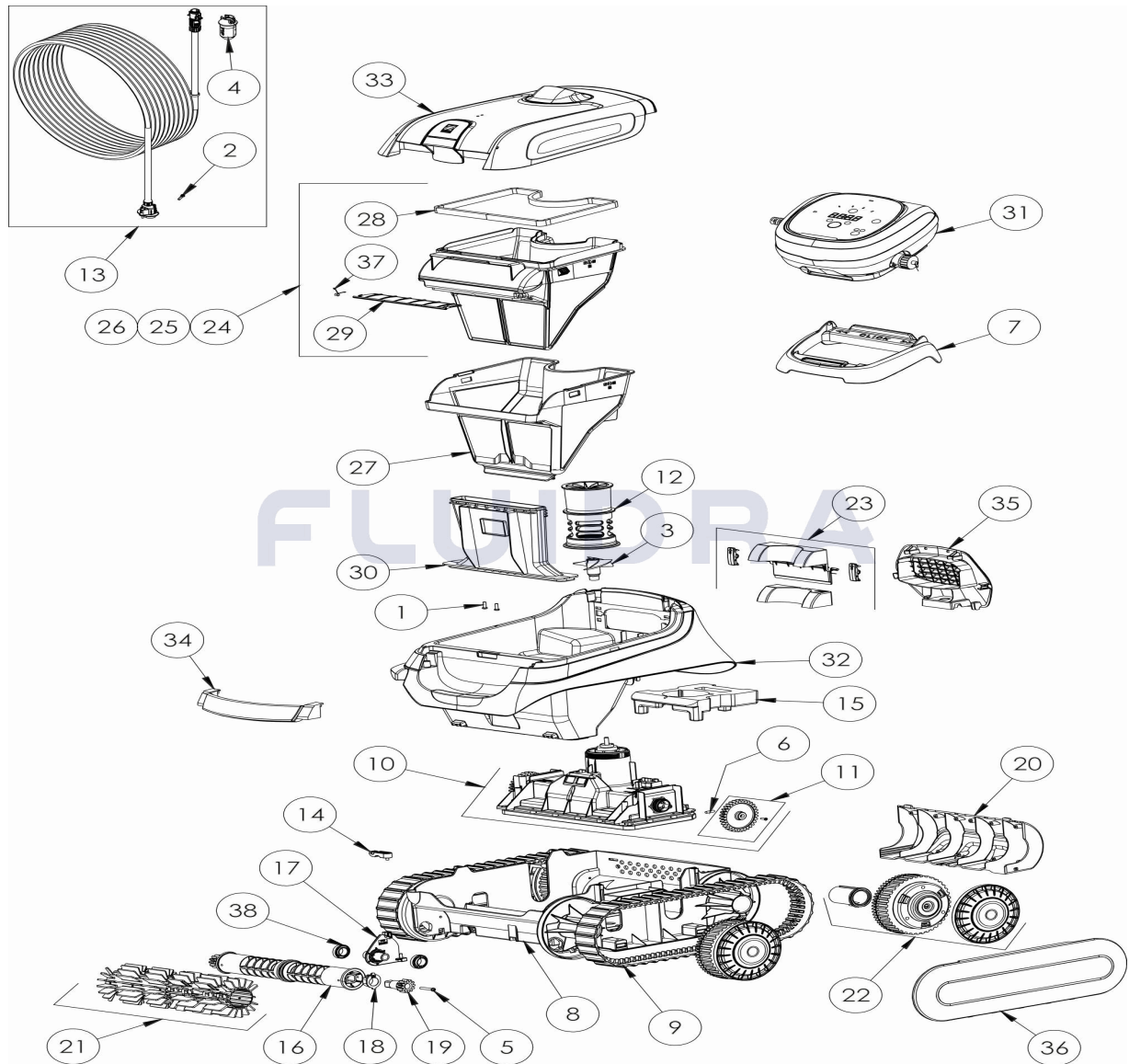
| POS | CODIGO | DESCRIPCION | CANTIDAD | POS | CODIGO | DESCRIPCION | CANTIDAD |
|-----|----------|-----------------------------------|----------|-----|----------|--|----------|
| 1 | R0516700 | TORNILLO 4*12 MM (PACK DE 5 UN.) | 1 | 16 | R0896400 | RODILLO PORTACEPILLOS CN (*2) | 1 |
| 2 | R0608500 | TORNILLO 4*16 MM (PACK DE 5 UN) | 1 | 17 | R0896500 | CLIP FIJACIÓN DE RODILLOS CN | 1 |
| 3 | R0633200 | HÉLICE CYCLONX | 1 | 18 | R0896600 | KIT CASQUILLOS EJE CEPILLO EXTERIOR | 1 |
| 4 | R0634100 | CUERPO CONECTOR 3 PINS | 1 | 19 | R0896700 | KIT PIÑÓN EJE CEPILLO 12 DIENTES CN (*2) | 1 |
| 5 | R0638900 | TORNILLO 4*25 MM (Pack 5 UN) | 1 | 20 | R0896800 | TAPA TRASERA CHASIS CN | 1 |
| 6 | R0657900 | PASADOR ø4 EJE BLOQUE MOTOR (PACK | 1 | 21 | R0896900 | CEPILLOS CN GRIS CLARO (*2) | 1 |
| 7 | R0662600 | SOPORTE UNIDAD DE CONTROL | 1 | 22 | R0897300 | RUEDA CN | 4 |
| 8 | R0895100 | CHASIS CN | 1 | 23 | R0897400 | KIT TAPA VALVULA TRASERA CN | 1 |
| 9 | R0895200 | ORUGA CN (*2) | 1 | 24 | R0897500 | FILTRO CN 100µ - SINGLE | 1 |
| 10 | R0895400 | BLOQUE MOTOR CN NO LED | 1 | 25 | R0897600 | FILTRO CN 150µ - DUAL | 1 |
| 11 | R0895600 | PIÑÓN CN (*2) | 1 | 26 | R0897700 | FILTRO CN 200µ - SINGLE | 1 |
| 12 | R0895700 | CANALIZADOR DE FLUJO CN | 1 | 27 | R0898100 | FILTRO SUPERIOR CN 60µ - DUAL | 1 |
| 13 | R0895800 | CABLE FLOTANTE CN 15M | 1 | 28 | R0898300 | JUNTA TAPA DEL FILTRO CN | 1 |

CODIGO **WR000333**DESCRIPCION: **20 XA**

| | | | | | | | |
|----|----------|--------------------------------|---|----|----------|--------------------------------|---|
| 14 | R0896200 | BRIDA FIJACION DEL CABLE CN | 1 | 29 | R0898400 | TAPA VALVULA DEL FILTRO CN | 1 |
| 15 | R0896300 | FLOTADOR CHASIS CN | 1 | 30 | R0898500 | CANALIZADOR DE ASPIRACION CN | 1 |
| 31 | R0899000 | UNIDAD DE CONTROL CN TYPE 5 EU | 1 | 35 | R0902100 | REJILLA TRASERA CN A, NEGRA | 1 |
| 32 | R0900400 | CUERPO CN A, GRIS CLARO | 1 | 36 | R0902200 | TAPAS LATERALES CN LARGAS (*2) | 1 |
| 33 | R0901100 | TAPA COMPLETA CN A | 1 | 37 | R0905500 | MUELLE TAPA VALVULA FILTROCN | 1 |
| 34 | R0901600 | EMPUÑADURA CN A BLANCA | 1 | 38 | W79034 | COJINETE, (RUEDA Y MOTOR) | 2 |

CODE **WR000333**

DESCRIPTION: **20 XA**



FRANCAIS

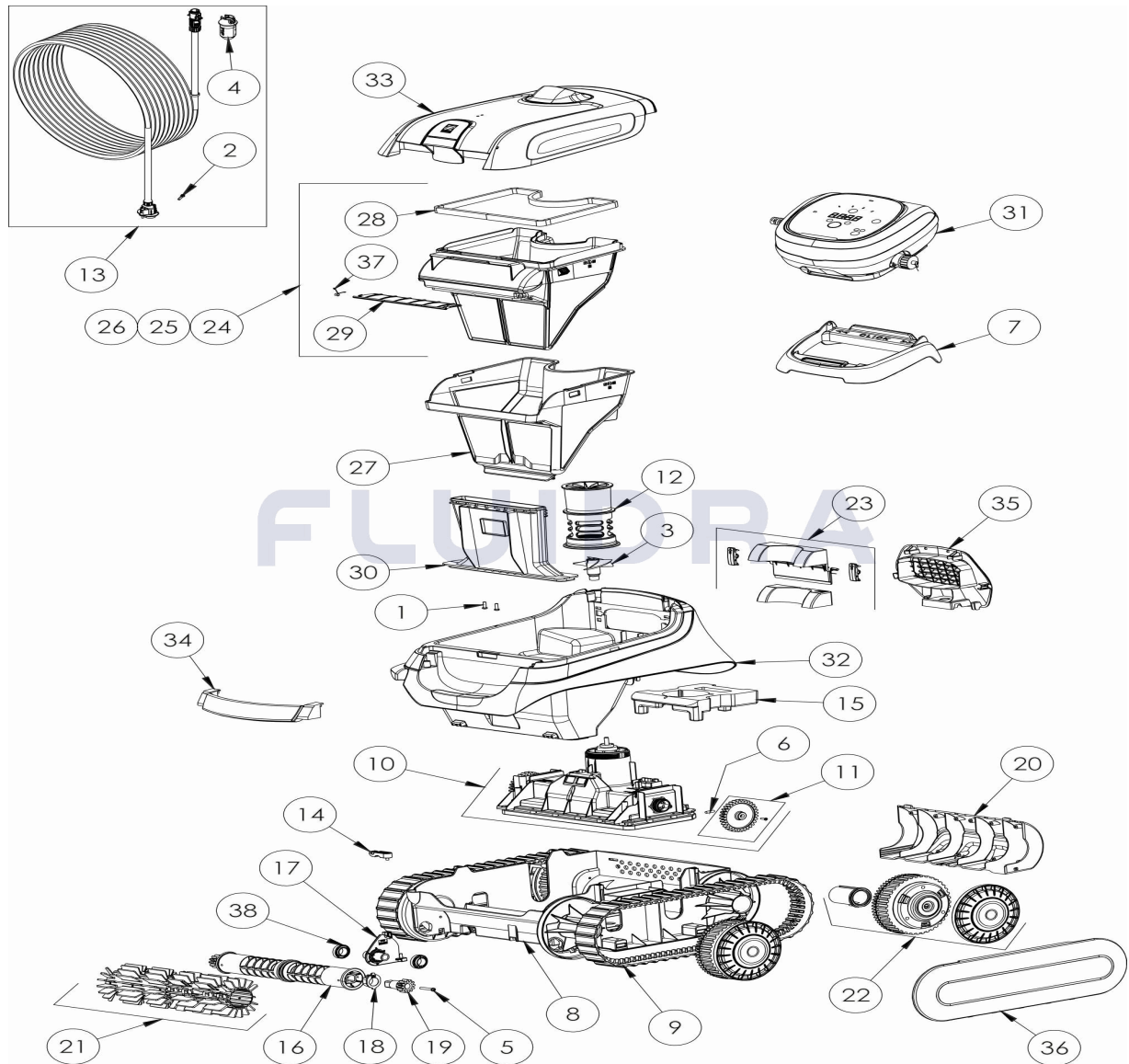
| POS | CODE | DESCRIPTION | QUANTITE | POS | CODE | DESCRIPTION | QUANTITE |
|-----|----------|----------------------------------|----------|-----|----------|---------------------------|----------|
| 1 | R0516700 | VIS 4*12 MM (X5) | 1 | 16 | R0896400 | SUPPORT BROSSE CN (*2) | 1 |
| 2 | R0608500 | VIS 4*16 MM A4 (*5) | 1 | 17 | R0896500 | PONTET BROSSE CN | 1 |
| 3 | R0633200 | HELICE CYCLONX | 1 | 18 | R0896600 | PALIER EXTERIEUR CN (*2) | 1 |
| 4 | R0634100 | CAPOT CONNECTEUR 3 PTS | 1 | 19 | R0896700 | PIGNON BROSSE CN (*2) | 1 |
| 5 | R0638900 | VIS 4*25 MM (*5) | 1 | 20 | R0896800 | CACHE BROSSE ARRIERE CN | 1 |
| 6 | R0657900 | GOUPILLE ø4 AXE BLOC MOTEUR (*5) | 1 | 21 | R0896900 | BROSSE CN GRIS CLAIR (*2) | 1 |
| 7 | R0662600 | SOCLE COFFRET COMMANDE | 1 | 22 | R0897300 | ROUE CN | 4 |
| 8 | R0895100 | CHASSIS CN | 1 | 23 | R0897400 | KIT CLAPET ARRIERE CN | 1 |
| 9 | R0895200 | CHENILLE CN (*2) | 1 | 24 | R0897500 | FILTRE CN 100µ - SINGLE | 1 |
| 10 | R0895400 | BLOC MOTEUR CN NO LED | 1 | 25 | R0897600 | FILTRE CN 150µ - DUAL | 1 |
| 11 | R0895600 | PIGNON CN (*2) | 1 | 26 | R0897700 | FILTRE CN 200µ - SINGLE | 1 |
| 12 | R0895700 | GUIDE FLUX CN | 1 | 27 | R0898100 | SUR-FILTRE 60µ - DUAL | 1 |
| 13 | R0895800 | CABLE FLOTTANT CN 15M | 1 | 28 | R0898300 | JOINT COUVERCLE CN | 1 |

CODE **WR000333**DESCRIPTION: **20 XA**

| | | | | | | | |
|----|----------|----------------------------------|---|----|----------|----------------------------|---|
| 14 | R0896200 | ATTACHE CABLE CN | 1 | 29 | R0898400 | CLAPET FILTRE CN | 1 |
| 15 | R0896300 | FLOTTEUR CHASSIS CN | 1 | 30 | R0898500 | CONDUIT ASPIRATION CN | 1 |
| 31 | R0899000 | COFFRET DE COMMANDE CN TYPE 5 EU | 1 | 35 | R0902100 | GRILLE ARRIERE CN A NOIR | 1 |
| 32 | R0900400 | COQUE CN A GRIS CLAIR | 1 | 36 | R0902200 | FLASQUE CN LONG (*2) | 1 |
| 33 | R0901100 | COUVERCLE CN A | 1 | 37 | R0905500 | RESSORT CLAPET FILTRE CN | 1 |
| 34 | R0901600 | POIGNEE CN A BLANC | 1 | 38 | W79034 | ROULEMENT (ROUE ET MOTEUR) | 2 |

CODE **WR000333**

DESCRIPTION: **20 XA**



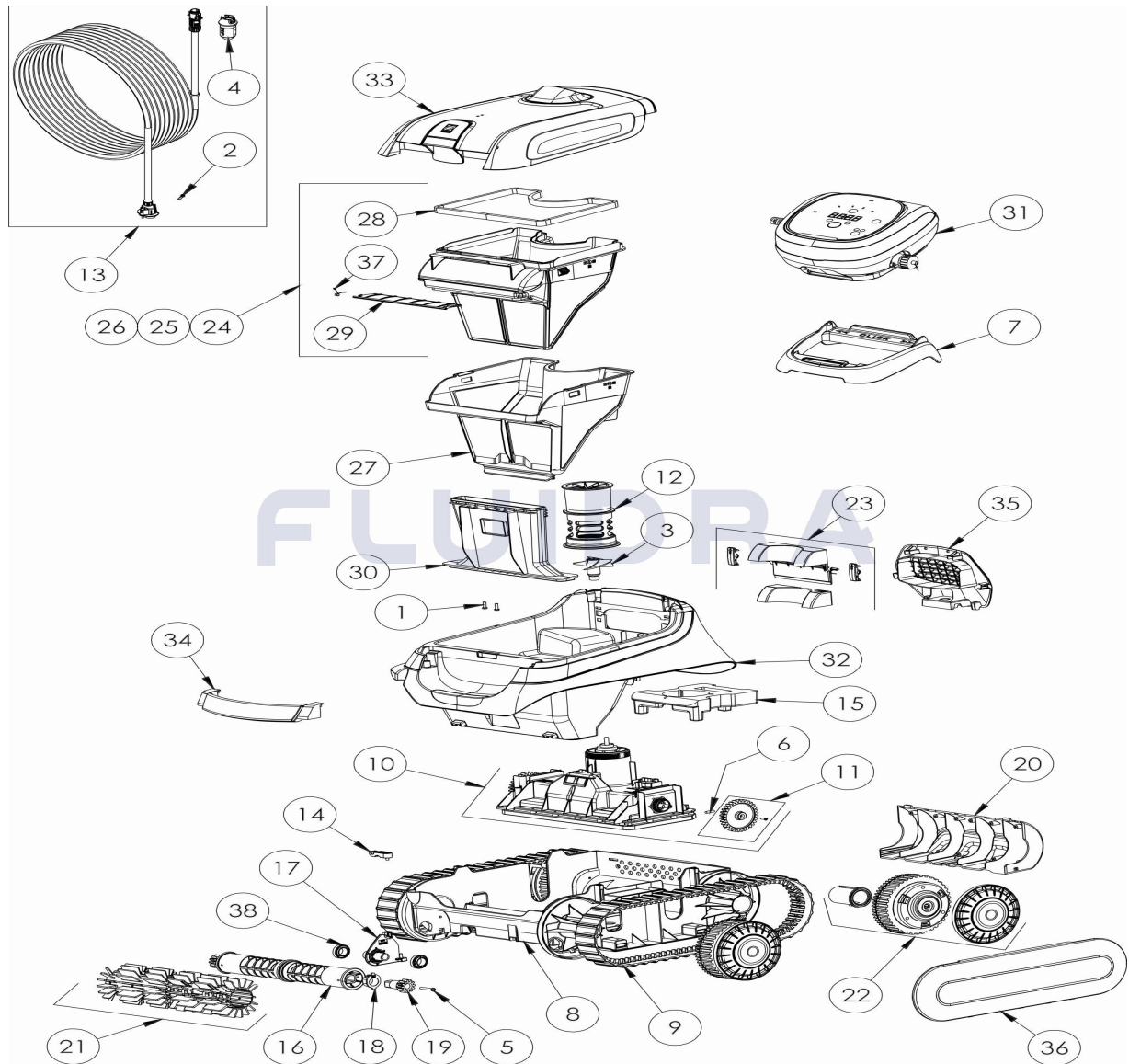
ENGLISH

| POS | CODE | DESCRIPTION | QUANTITY | POS | CODE | DESCRIPTION | QUANTITY |
|-----|----------|-------------------------------------|----------|-----|----------|-----------------------------|----------|
| 1 | R0516700 | SCREWS 4*12 MM (X5) | 1 | 16 | R0896400 | BRUSH ROLLER CN (*2) | 1 |
| 2 | R0608500 | SCREW 4*16MM (set of 5) | 1 | 17 | R0896500 | ROLLER SUPPORT CN | 1 |
| 3 | R0633200 | IMPELLER CYCLONX | 1 | 18 | R0896600 | OUTER BEARING CN, (*2) | 1 |
| 4 | R0634100 | CONNECTOR 3PTS BODY | 1 | 19 | R0896700 | 12 POINT GEAR, CN (*2) | 1 |
| 5 | R0638900 | SCREW 4*25 MM (SET OF 5) | 1 | 20 | R0896800 | REAR CHASSIS COVER CN | 1 |
| 6 | R0657900 | MOTOR BLOCK SHAFT PIN Ø4 (SET OF 5) | 1 | 21 | R0896900 | BRUSH SCRUBBER CN GREY (*2) | 1 |
| 7 | R0662600 | CONTROL UNIT BASE | 1 | 22 | R0897300 | WHEEL CN, BLACK | 4 |
| 8 | R0895100 | LOWER HOUSING CHASSIS CN | 1 | 23 | R0897400 | REAR FLAP DOOR KIT CN | 1 |
| 9 | R0895200 | TRACK CN (*2) | 1 | 24 | R0897500 | FILTER CN 100µ - SINGLE | 1 |
| 10 | R0895400 | MOTOR BLOCK KIT CN | 1 | 25 | R0897600 | FILTER CN 150µ - DUAL | 1 |
| 11 | R0895600 | DRIVE GEAR KIT (*2) | 1 | 26 | R0897700 | FILTER CN 200µ - SINGLE | 1 |
| 12 | R0895700 | FLOW OUTLET CN | 1 | 27 | R0898100 | OVER FILTER CN 60µ - DUAL | 1 |
| 13 | R0895800 | FLOATING CABLE CN, 15M | 1 | 28 | R0898300 | CANISTER SEAL CN | 1 |

CODE **WR000333**DESCRIPTION: **20 XA**

| | | | | | | | |
|----|----------|-------------------------------|---|----|----------|-------------------------------|---|
| 14 | R0896200 | CABLE STRAIN RELIEF CN | 1 | 29 | R0898400 | CANISTER INLET FLAP CN | 1 |
| 15 | R0896300 | CHASSIS FLOAT CN | 1 | 30 | R0898500 | INLET CHANNEL CN | 1 |
| 31 | R0899000 | CONTROL BOX CN TYPE 5 EU | 1 | 35 | R0902100 | REAR GRID CN A, BLACK | 1 |
| 32 | R0900400 | BODY HOUSING CN A, LIGHT GREY | 1 | 36 | R0902200 | LONG FLANGE CN BLACK (*2) | 1 |
| 33 | R0901100 | COMPLETE COVER CN A, CLEAR | 1 | 37 | R0905500 | CANISTER INLET FLAP SPRING CN | 1 |
| 34 | R0901600 | HANDLE CN A, WHITE | 1 | 38 | W79034 | BEARING (WHEEL & ENGINE) | 2 |

CODICE **WR000333**

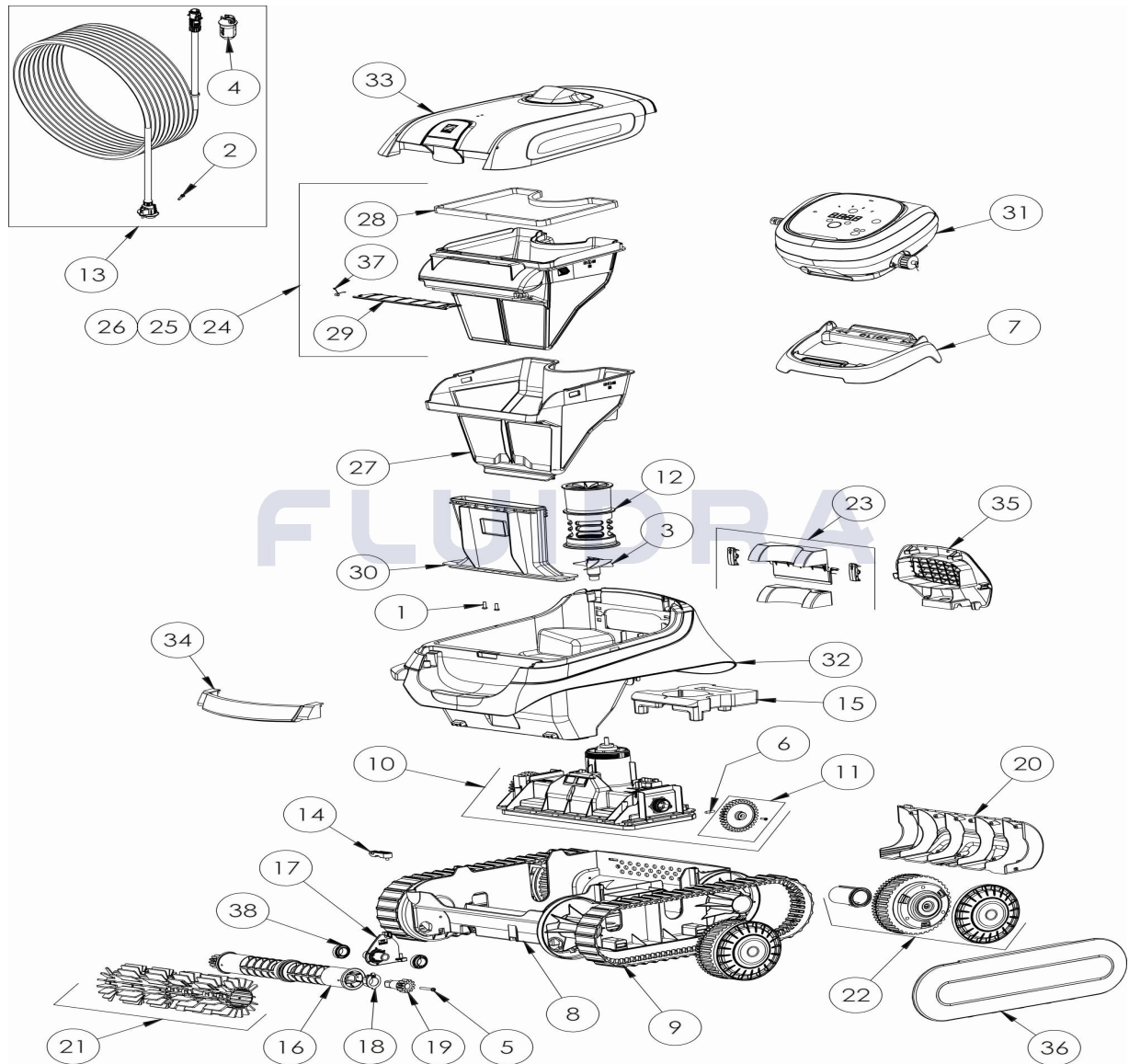
 DESCRIZIONE: **20 XA**

ITALIANO

| POS | CODICE | DESCRIZIONE | QUANTITA' | POS | CODICE | DESCRIZIONE | QUANTITA' |
|-----|----------|----------------------------|-----------|-----|----------|--------------------------------|-----------|
| 1 | R0516700 | VITE 4*12 MM (*5) | 1 | 16 | R0896400 | SUPPORTO SPAZZOLA CN (*2) | 1 |
| 2 | R0608500 | VITE 4*16 MM A4 (*5) | 1 | 17 | R0896500 | PONTICELLO SPAZZOLA CN | 1 |
| 3 | R0633200 | ELICA CYCLONX | 1 | 18 | R0896600 | CUSCINETTO ESTERNO CN (*2) | 1 |
| 4 | R0634100 | ADATTATORE CAVO 3 PTS | 1 | 19 | R0896700 | PIGNONE SPAZZOLA CN (*2) | 1 |
| 5 | R0638900 | VITE 4*25 MM (*5) | 1 | 20 | R0896800 | COPERCHIO POSTERIORE TELAIO CN | 1 |
| 6 | R0657900 | KIT 5 PIN ALBERO MOTORE | 1 | 21 | R0896900 | SPAZZOLE CN GRIGIO CHIARO (*2) | 1 |
| 7 | R0662600 | PIEDISTALLO QUADRO COMANDI | 1 | 22 | R0897300 | RUOTA CN | 4 |
| 8 | R0895100 | TELAIO | 1 | 23 | R0897400 | KIT CLAPET POSTERIORE CN | 1 |
| 9 | R0895200 | CINGOLI CN (*2) | 1 | 24 | R0897500 | FILTRO CN 100µ - SINGLE | 1 |
| 10 | R0895400 | BLOCCO MOTORE CN NO LED | 1 | 25 | R0897600 | FILTRO CN 150µ - DUAL | 1 |
| 11 | R0895600 | PIGNONE CN (*2) | 1 | 26 | R0897700 | FILTRO CN 200µ - SINGLE | 1 |
| 12 | R0895700 | GUIDA FLUSSO CN | 1 | 27 | R0898100 | FILTRO CN 60µ - DUAL | 1 |
| 13 | R0895800 | CAVO GALLEGGIANTE CN 15M | 1 | 28 | R0898300 | GUARNIZIONE COPERCHIO CN | 1 |

CODICE **WR000333**DESCRIZIONE: **20 XA**

| | | | | | | | |
|----|----------|-----------------------------|---|----|----------|-------------------------------|---|
| 14 | R0896200 | AGGANCIO CAVO CN | 1 | 29 | R0898400 | CLAPET FILTRO CN | 1 |
| 15 | R0896300 | FLOTTANTE TELAIO CN | 1 | 30 | R0898500 | CONDOTTO ASPIRAZIONE CN | 1 |
| 31 | R0899000 | QUADRO COMANDI CN TYPE 5 EU | 1 | 35 | R0902100 | GRIGLIA POSTERIORE CN A, NERA | 1 |
| 32 | R0900400 | SCOCCA CN A GRIGIO CHIARO | 1 | 36 | R0902200 | FLANGECN LONG (*2) | 1 |
| 33 | R0901100 | COVER CN A | 1 | 37 | R0905500 | MOLLA CLAPET FILTRO | 1 |
| 34 | R0901600 | MANIGLIA CN A BIANCA | 1 | 38 | W79034 | CUSCINETTO A SFERA | 2 |

CODE **WR000333**

 BESCHREIBUNG: **20 XA**


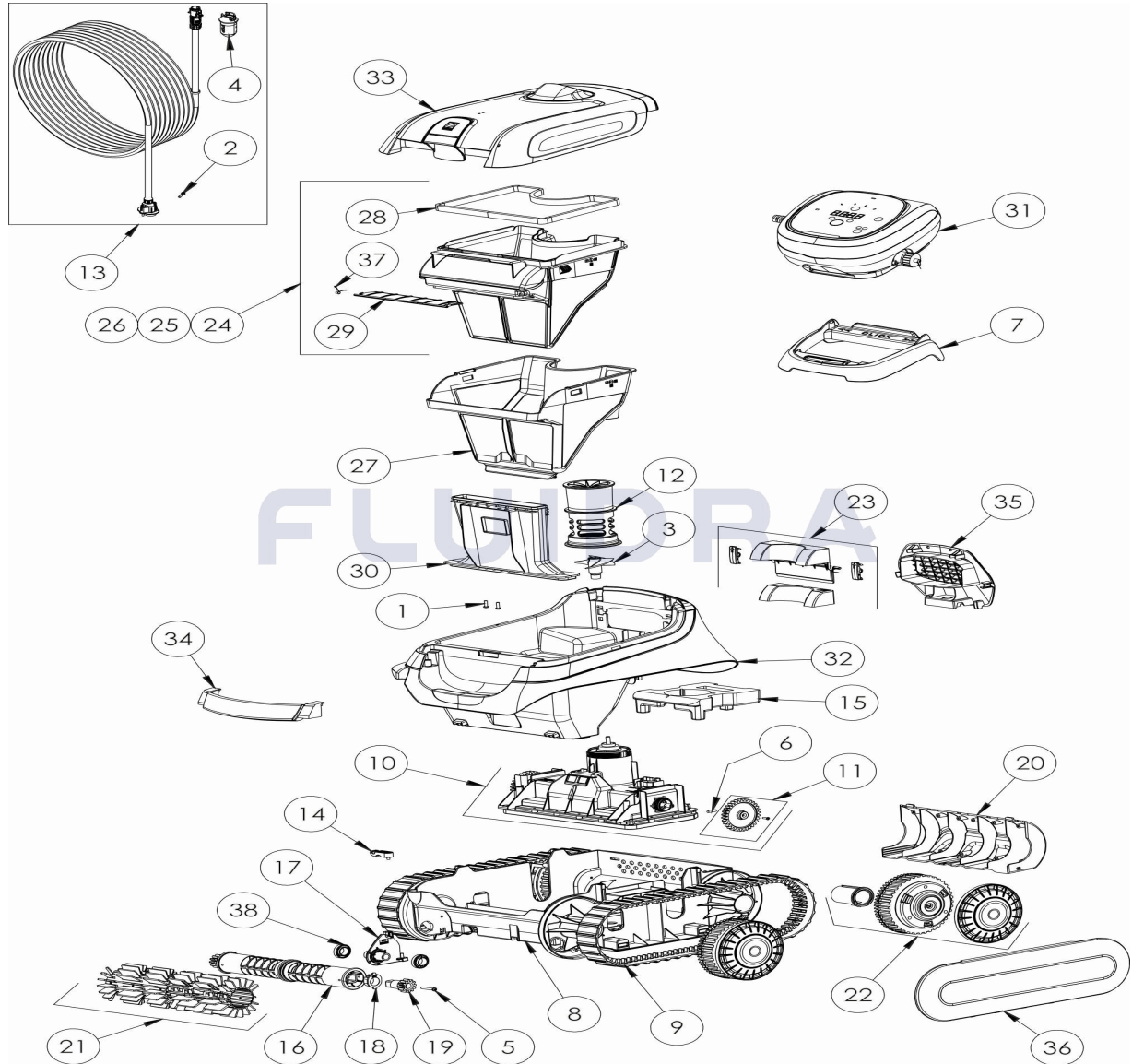
DEUTSCH

| POS | CODE | BESCHREIBUNG | MENGE | POS | CODE | BESCHREIBUNG | MENGE |
|-----|----------|---|-------|-----|----------|---------------------------------|-------|
| 1 | R0516700 | SCHRAUBE 4 * 12 MM (SET mit 5 Stk.) | 1 | 16 | R0896400 | BÜRSTENWALZE CN (*2) | 1 |
| 2 | R0608500 | SCHRAUBE 4 * 16 MM, A4 (SET mit 5 Stk.) | 1 | 17 | R0896500 | BÜRSTENANKER CN | 1 |
| 3 | R0633200 | TURBINE (CYCLONX) | 1 | 18 | R0896600 | LAGER AUSSEN CN (* 2) | 1 |
| 4 | R0634100 | STECKERGEHÄUSE (CYCLONX) | 1 | 19 | R0896700 | ZAHNRAD 12 ZÄHNE CN | 1 |
| 5 | R0638900 | SCHRAUBE 4 * 25 MM, A2 (SET mit 5 Stk.) | 1 | 20 | R0896800 | GEHÄUSEABDECKUNG HINTEN CN | 1 |
| 6 | R0657900 | BEFESTIGUNGSSTIFT FÜR MOTORBLOCK | 1 | 21 | R0896900 | BÜRSTEN CN HELLGRAU (*2) | 1 |
| 7 | R0662600 | HALTERUNG STEUERBOX | 1 | 22 | R0897300 | LENKRAD CN | 4 |
| 8 | R0895100 | GEHÄUSE UNTERTEIL CN | 1 | 23 | R0897400 | VENTLKLAPPENSET CN | 1 |
| 9 | R0895200 | RAUPENBAND CN (*2) | 1 | 24 | R0897500 | FILTER CN 100µ - SINGLE | 1 |
| 10 | R0895400 | MOTORBLOCK CN NO LED | 1 | 25 | R0897600 | FILTER CN 150µ - DUAL | 1 |
| 11 | R0895600 | ZAHNRAD CN (*2) | 1 | 26 | R0897700 | FILTER CN 200µ - SINGLE | 1 |
| 12 | R0895700 | STRÖMUNGSDÜSE CN | 1 | 27 | R0898100 | FILTERKORB AUSSEN CN 60µ - DUAL | 1 |
| 13 | R0895800 | SCHWIMMKABEL KOMPLETT CN 15M | 1 | 28 | R0898300 | FILTERKORBDICHTUNG CN | 1 |

CODE **WR000333**BESCHREIBUNG: **20 XA**

| | | | | | | | |
|----|----------|-----------------------------|---|----|----------|----------------------------------|---|
| 14 | R0896200 | KABELZUGENTLASTUNG CN | 1 | 29 | R0898400 | FILTERKLAPPE CN | 1 |
| 15 | R0896300 | SCHWIMMKÖRPER CHASSIS CN | 1 | 30 | R0898500 | SAUGKANAL CN | 1 |
| 31 | R0899000 | STEUERBOX CN TYPE 5 EU | 1 | 35 | R0902100 | GITTER HINTEN CN A, SCHWARZ | 1 |
| 32 | R0900400 | GEHÄUSE CN A HELLGRAU | 1 | 36 | R0902200 | SEITENTEILE LANG SCHWARZ CN (*2) | 1 |
| 33 | R0901100 | GEHÄUSEDECKEL KOMPLETT CN A | 1 | 37 | R0905500 | FILTERKLAPPENFEDER CN | 1 |
| 34 | R0901600 | GRIFSTÜCK CNA WEISS | 1 | 38 | W79034 | KUGELLAGER | 2 |

CODIGO **WR000333**

 DESCRIÇÃO: **20 XA**


PORTUGUES

| POS | CODIGO | DESCRIÇÃO | JANTIDADE | POS | CODIGO | DESCRIÇÃO | JANTIDADE |
|-----|----------|------------------------------------|-----------|-----|----------|-----------------------------|-----------|
| 1 | R0516700 | PARAFUSO 4*12 MM (Pack 5 UN) | 1 | 16 | R0896400 | ROLO PORTA-ESCOVAS CN (*2) | 1 |
| 2 | R0608500 | PARAFUSO 4*16 MM A4 (Pack 5 UN) | 1 | 17 | R0896500 | CLIP FIXAÇÃO ROLOS CN | 1 |
| 3 | R0633200 | HÉLICE CYCLONX | 1 | 18 | R0896600 | ROLAMENTO EXTERIOR CN (*2) | 1 |
| 4 | R0634100 | CORPO LIGAÇÃO 3 PINS | 1 | 19 | R0896700 | PINHÃO 12 DENTES, CN (*2) | 1 |
| 5 | R0638900 | PARAFUSO 4*25 MM (Pack 5 UN) | 1 | 20 | R0896800 | TAMPA TRASEIRA CHASSIS CN | 1 |
| 6 | R0657900 | PASSADOR Ø4 EIXO BLOCO MOTOR (PAC) | 1 | 21 | R0896900 | ESCOVAS CN CINZA CLARO (*2) | 1 |
| 7 | R0662600 | SUPORTE CAIXA DE COMANDOS | 1 | 22 | R0897300 | RODA CN | 4 |
| 8 | R0895100 | CHASSIS | 1 | 23 | R0897400 | KIT DE VÁLVULA TRASEIRA CN | 1 |
| 9 | R0895200 | LAGARTAS CN (*2) | 1 | 24 | R0897500 | FILTRO CN 100µ - SINGLE | 1 |
| 10 | R0895400 | BLOCO MOTOR CN NO LED | 1 | 25 | R0897600 | FILTRO CN 150µ - DUAL | 1 |
| 11 | R0895600 | RODA DENTADA CN (*2) | 1 | 26 | R0897700 | FILTRO CN 200µ - SINGLE | 1 |
| 12 | R0895700 | CANALIZADOR DE FLUXO CN | 1 | 27 | R0898100 | FILTRO CN 60µ - DUAL | 1 |
| 13 | R0895800 | CABO FLUTUANTE CN 15M | 1 | 28 | R0898300 | JUNTA DE TAMPA CN | 1 |

CODIGO **WR000333**DESCRIÇÃO: **20 XA**

| | | | | | | | |
|----|----------|----------------------------------|---|----|----------|------------------------------|---|
| 14 | R0896200 | FLANGE DE FIXAÇÃO DE CABO CN | 1 | 29 | R0898400 | VÁLVULA DO FILTRO CN | 1 |
| 15 | R0896300 | FLUTUADOR CHASSIS CN | 1 | 30 | R0898500 | BOCA DE ASPIRAÇÃO CN | 1 |
| 31 | R0899000 | UNIDADE DE CONTROLO CN TYPE 5 EU | 1 | 35 | R0902100 | GRELHA TRASEIRA CN A, PRETO | 1 |
| 32 | R0900400 | CORPO CN A CINZA CLARO | 1 | 36 | R0902200 | TAMPAS LATERAIS CN LONG (*2) | 1 |
| 33 | R0901100 | TAMPA COMPLETA CN A | 1 | 37 | R0905500 | MOLA DA VÁLVULA DO FILTRO CN | 1 |
| 34 | R0901600 | PEGA CN A BRANCA | 1 | 38 | W79034 | ROLAMENTO DE ESFERAS | 2 |