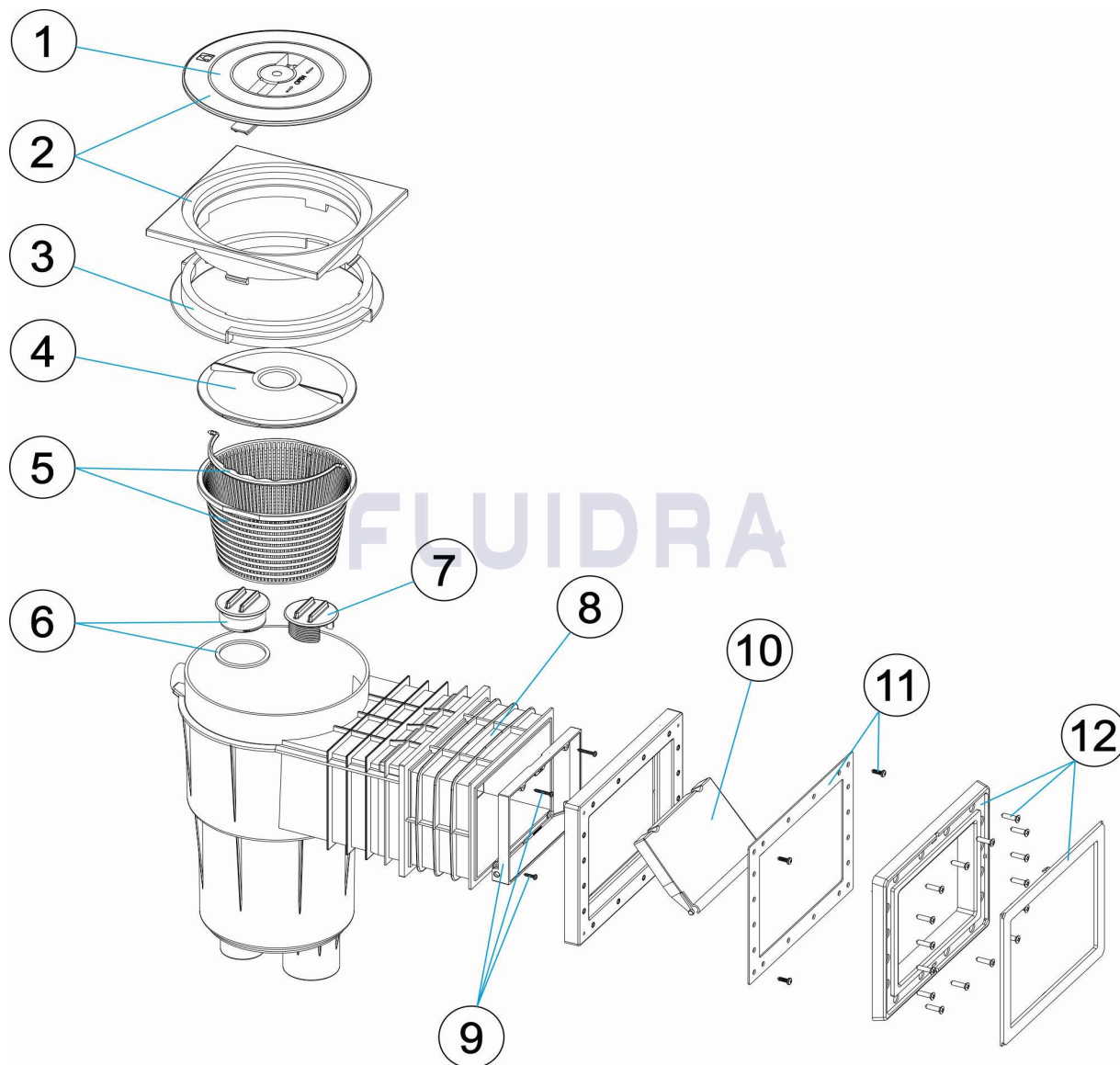


CODIGO 11310, 11310CL090, 11310CL129, 11310CL144

DESCRIPCION: SKIMMER 17,5L B.STAND. +ALARGO+T. CUADR.



ESPAÑOL

POS	CODIGO	DESCRIPCION	CANTIDAD	POS	CODIGO	DESCRIPCION	CANTIDAD
1	* 4402010509	TAPA SKIMMER		7	4402010502	TAPON REGULADOR	
1	* 4402010064	TAPA SKIMMER		8	* 4402010082	BOCA INTERMEDIA SKIMMER	
1	* 4402010066	TAPA SKIMMER		8	* 4402010127	BOCA INTERMEDIA SKIMMER	
1	* 4402010041	TAPA SKIMMER		8	* 4402010128	BOCA INTERMEDIA SKIMMER	
2	* 4402010510	MARCO CUADRADO Y TAPA		8	* 4402010129	BOCA INTERMEDIA SKIMMER	
2	* 05280-0700CL090	MARCO CUADRADO Y TAPA		9	* 4402010508	MARCO COMPUERTA SKIMMER	
2	* 05280-0700CL129	MARCO CUADRADO Y TAPA		9	* 4402010119	MARCO COMPUERTA SKIMMER	
2	* 05280-0700CL144	MARCO CUADRADO Y TAPA		9	* 4402010120	MARCO COMPUERTA SKIMMER	
3	* 4402010506	ANILLO DISTANCIADOR SKIMMER		9	* 4402010042	MARCO COMPUERTA SKIMMER	
3	* 4402010073	ANILLO DISTANCIADOR SKIMMER		10	* 4402010501	COMPUERTA SKIMMER CON CLIP	
3	* 4402010075	ANILLO DISTANCIADOR SKIMMER		10	* 4402010076	COMPUERTA SKIMMER CON CLIP	
3	* 4402010039	ANILLO DISTANCIADOR 17,5L		10	* 4402010079	COMPUERTA SKIMMER CON CLIP	
4	4402010505	TAPA CESTO SKIMMER		10	* 4402010080	COMPUERTA SKIMMER CON CLIP	

CODIGO **11310, 11310CL090, 11310CL129, 11310CL144**

DESCRIPCION: **SKIMMER 17,5L B.STAND. +ALARGO+T. CUADR.**

5	4402010504	CESTO SKIMMER 17,5 LTS.	11	4402014001	JUNTA SKIMMER PEQUEÑA PISC. PREF.
6	4402010503	TAPON CON JUNTA	12	* 4402010308	MARCO PEQUEÑO SKIMMER
12	* 4402010121	MARCO PEQUEÑO SKIMMER	12	* 4402010088	MARCO PEQUEÑO SKIMMER
12	* 4402010126	MARCO PEQUEÑO SKIMMER			

CODIGO 11310, 11310CL090, 11310CL129, 11310CL144

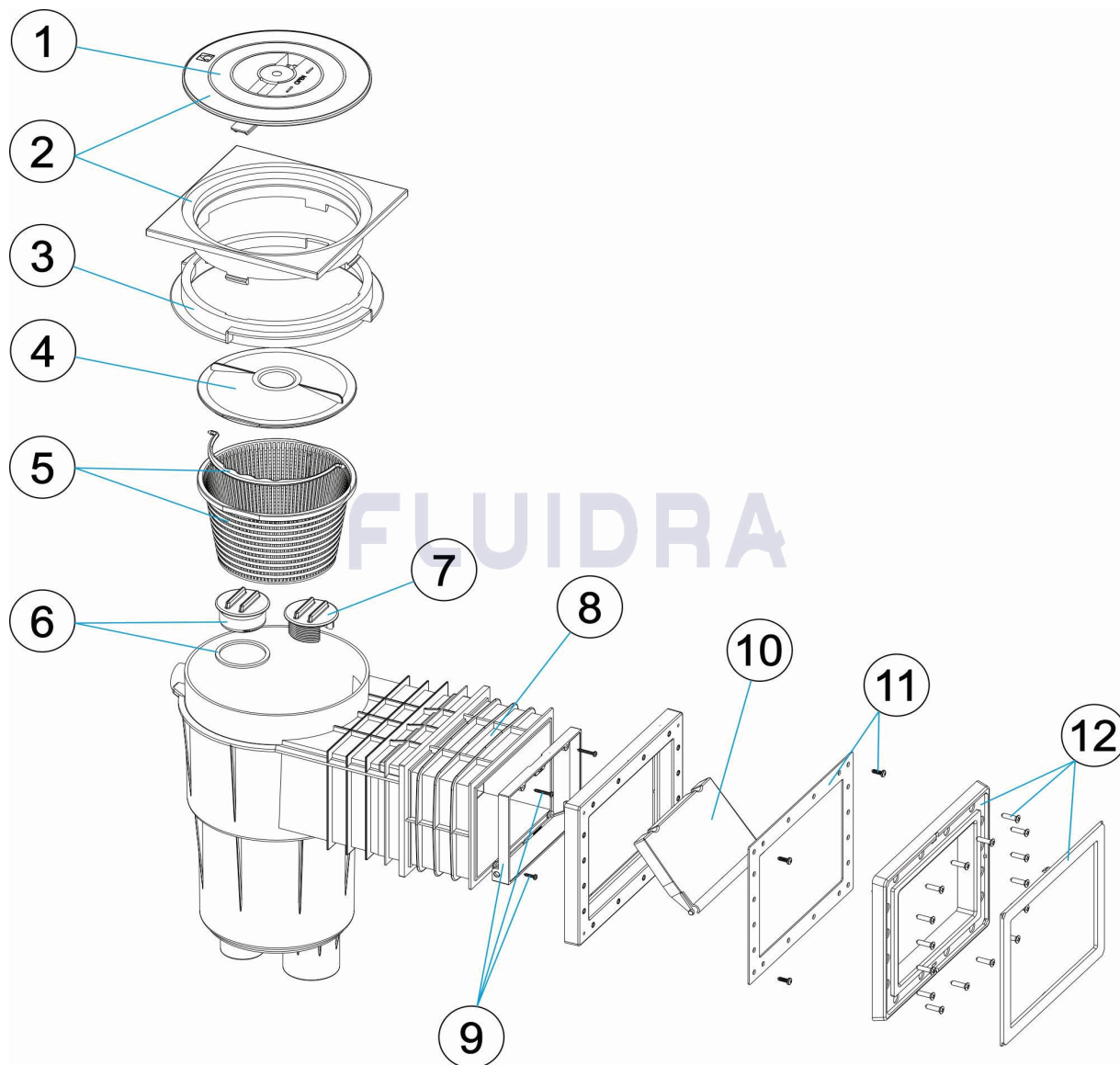
DESCRIPCION: SKIMMER 17,5L B.STAND. +ALARGO+T. CUADR.

OBSERVACIONES

POS	CODIGO	OBSERVACIONES
1	* 4402010509	PARA: 11310 WHITE
1	* 4402010064	PARA: 11310CL090 BEIGE
1	* 4402010066	PARA: 11310CL129 GREY
1	* 4402010041	PARA: 11310CL144 ANTHRACITE
2	* 4402010510	PARA: 11310 WHITE
2	* 05280-0700CL090	PARA: 11310CL090 BEIGE
2	* 05280-0700CL129	PARA: 11310CL129 GREY
2	* 05280-0700CL144	PARA: 11310CL144 ANTHRACITE
3	* 4402010506	PARA: 11310 WHITE
3	* 4402010073	PARA: 11310CL090 BEIGE
3	* 4402010075	PARA: 11310CL129 GREY
3	* 4402010039	PARA: 11310CL144 ANTHRACITE
8	* 4402010082	PARA: 11310 WHITE
8	* 4402010127	PARA: 11310CL090 BEIGE
8	* 4402010128	PARA: 11310CL129 GREY
8	* 4402010129	PARA: 11310CL144 ANTHRACITE
9	* 4402010508	PARA: 11310 WHITE
9	* 4402010119	PARA: 11310CL090 BEIGE
9	* 4402010120	PARA: 11310CL129 GREY
9	* 4402010042	PARA: 11310CL144 ANTHRACITE
10	* 4402010501	PARA: 11310 WHITE
10	* 4402010076	PARA: 11310CL090 BEIGE
10	* 4402010079	PARA: 11310CL129 GREY
10	* 4402010080	PARA: 11310CL144 ANTHRACITE
12	* 4402010308	PARA: 11310 WHITE
12	* 4402010121	PARA: 11310CL090 BEIGE
12	* 4402010126	PARA: 11310CL129 GREY
12	* 4402010088	PARA: 11310CL144 ANTHRACITE

CODE 11310, 11310CL090, 11310CL129, 11310CL144

DESCRIPTION: SKIMMER 17,5L O.STAND. +RALLONGE+C. CARRÉ.



FRANCAIS

POS	CODE	DESCRIPTION	QUANTITE	POS	CODE	DESCRIPTION	QUANTITE
1	* 4402010509	COUVERCLE ROND DE SKIMMER		7	4402010502	BOUCHON REGULATEUR	
1	* 4402010064	COUVERCLE ROND DE SKIMMER		8	* 4402010082	BOUCHE INTERMEDIAIRE RALLONGE SKIN	
1	* 4402010066	COUVERCLE ROND DE SKIMMER		8	* 4402010127	BOUCHE INTERMEDIAIRE RALLONGE SKIN	
1	* 4402010041	COUVERCLE ROND DE SKIMMER		8	* 4402010128	BOUCHE INTERMEDIAIRE RALLONGE SKIN	
2	* 4402010510	CADRE ET COUVERCLE ROND		8	* 4402010129	BOUCHE INTERMEDIAIRE RALLONGE SKIN	
2	* 05280-0700CL090	CADRE ET COUVERCLE ROND		9	* 4402010508	CADRE VOLET SKIMMER	
2	* 05280-0700CL129	CADRE ET COUVERCLE ROND		9	* 4402010119	CADRE VOLET SKIMMER	
2	* 05280-0700CL144	CADRE ET COUVERCLE ROND		9	* 4402010120	CADRE VOLET SKIMMER	
3	* 4402010506	CADRE REHAUSSE COUVERCLE		9	* 4402010042	CADRE VOLET SKIMMER	
3	* 4402010073	CADRE REHAUSSE COUVERCLE		10	* 4402010501	VOLET DE SKIMMER	
3	* 4402010075	CADRE REHAUSSE COUVERCLE		10	* 4402010076	VOLET DE SKIMMER	
3	* 4402010039	CADRE REHAUSSE COUVERCLE		10	* 4402010079	VOLET DE SKIMMER	
4	4402010505	COUVERCLE PANIER SKIMMER		10	* 4402010080	VOLET DE SKIMMER	

CODE **11310, 11310CL090, 11310CL129, 11310CL144**

DESCRIPTION: **SKIMMER 17,5L O.STAND. +RALLONGE+C. CARRÉ.**

5	4402010504	PANIER SKIMMER 17,5 LTS	11	4402014001	JOINT SKIM PETIT MODELE PISCINE LINER
6	4402010503	BOUCHON SKIMMER AVEC JOINT	12	* 4402010308	BRIDE ET CACHE VIS KIT LINER
12	* 4402010121	BRIDE ET CACHE VIS KIT LINER	12	* 4402010088	BRIDE ET CACHE VIS KIT LINER
12	* 4402010126	BRIDE ET CACHE VIS KIT LINER			

CODE **11310, 11310CL090, 11310CL129, 11310CL144**

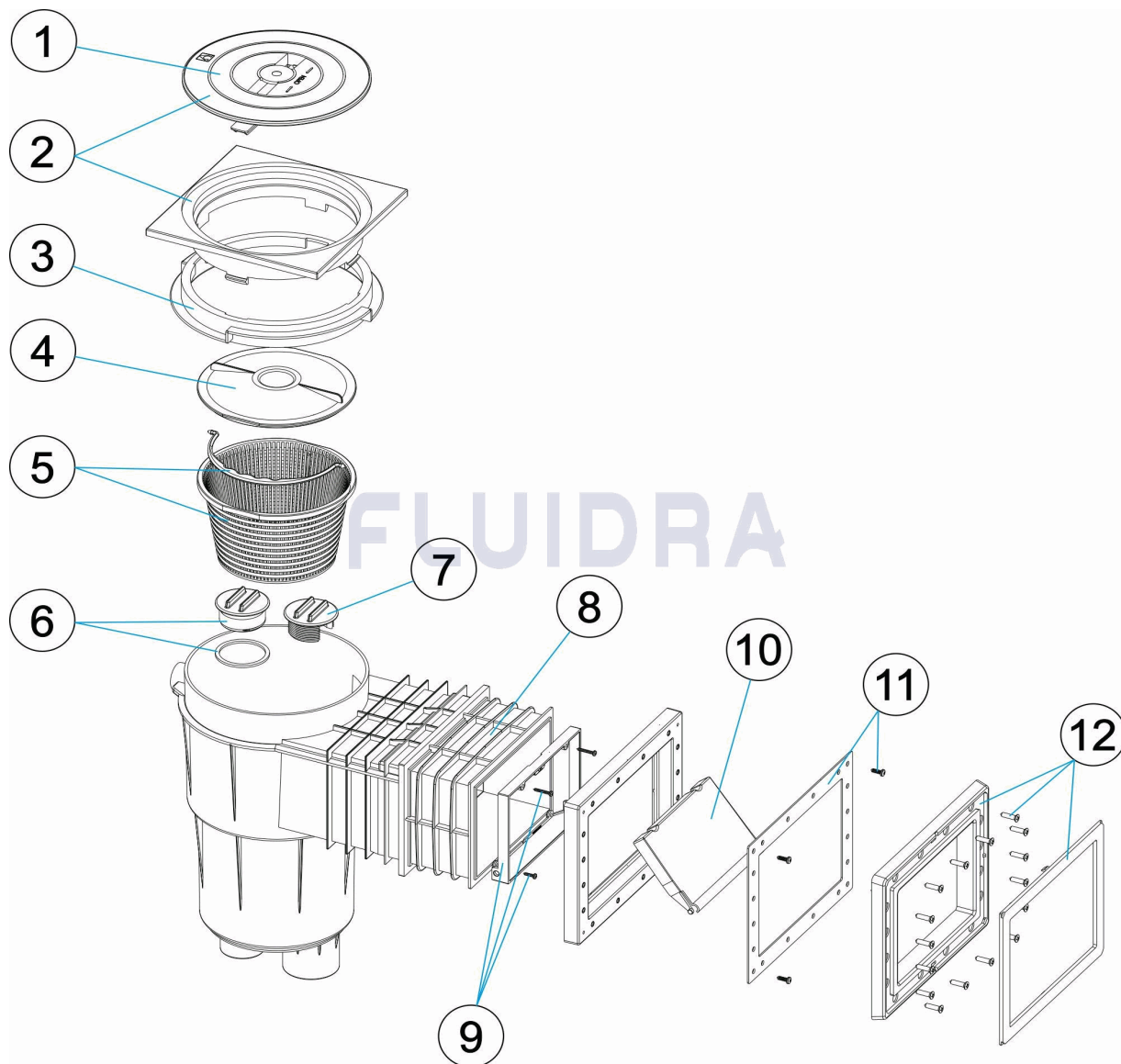
DESCRIPTION: **SKIMMER 17,5L O.STAND. +RALLONGE+C. CARRÉ.**

OBSERVATIONS

POS	CODE	OBSERVATIONS
1	* 4402010509	POUR: 11310 WHITE
1	* 4402010064	POUR: 11310CL090 BEIGE
1	* 4402010066	POUR: 11310CL129 GREY
1	* 4402010041	POUR: 11310CL144 ANTHRACITE
2	* 4402010510	POUR: 11310 WHITE
2	* 05280-0700CL090	POUR: 11310CL090 BEIGE
2	* 05280-0700CL129	POUR: 11310CL129 GREY
2	* 05280-0700CL144	POUR: 11310CL144 ANTHRACITE
3	* 4402010506	POUR: 11310 WHITE
3	* 4402010073	POUR: 11310CL090 BEIGE
3	* 4402010075	POUR: 11310CL129 GREY
3	* 4402010039	POUR: 11310CL144 ANTHRACITE
8	* 4402010082	POUR: 11310 WHITE
8	* 4402010127	POUR: 11310CL090 BEIGE
8	* 4402010128	POUR: 11310CL129 GREY
8	* 4402010129	POUR: 11310CL144 ANTHRACITE
9	* 4402010508	POUR: 11310 WHITE
9	* 4402010119	POUR: 11310CL090 BEIGE
9	* 4402010120	POUR: 11310CL129 GREY
9	* 4402010042	POUR: 11310CL144 ANTHRACITE
10	* 4402010501	POUR: 11310 WHITE
10	* 4402010076	POUR: 11310CL090 BEIGE
10	* 4402010079	POUR: 11310CL129 GREY
10	* 4402010080	POUR: 11310CL144 ANTHRACITE
12	* 4402010308	POUR: 11310 WHITE
12	* 4402010121	POUR: 11310CL090 BEIGE
12	* 4402010126	POUR: 11310CL129 GREY
12	* 4402010088	POUR: 11310CL144 ANTHRACITE

CODE 11310, 11310CL090, 11310CL129, 11310CL144

DESCRIPTION: SKIMMER 17.5L PP. STANDARD MOUTH + EXTENSION + SQUARE COVER



ENGLISH

POS	CODE	DESCRIPTION	QUANTITY	POS	CODE	DESCRIPTION	QUANTITY
1	* 4402010509	SKIMMER LID		7	4402010502	REGULATING PLUG	
1	* 4402010064	SKIMMER LID		8	* 4402010082	SKIMMER THROAT	
1	* 4402010066	SKIMMER LID		8	* 4402010127	SKIMMER THROAT	
1	* 4402010041	SKIMMER LID		8	* 4402010128	SKIMMER THROAT	
2	* 4402010510	SQUARE RIM AND LID		8	* 4402010129	SKIMMER THROAT	
2	* 05280-0700CL090	SQUARE RIM AND LID		9	* 4402010508	FLAP FRAME	
2	* 05280-0700CL129	SQUARE RIM AND LID		9	* 4402010119	FLAP FRAME	
2	* 05280-0700CL144	SQUARE RIM AND LID		9	* 4402010120	FLAP FRAME	
3	* 4402010506	COLLAR EXTENSION RING		9	* 4402010042	FLAP FRAME	
3	* 4402010073	COLLAR EXTENSION RING		10	* 4402010501	SKIMMER FLAP	
3	* 4402010075	COLLAR EXTENSION RING		10	* 4402010076	SKIMMER FLAP	
3	* 4402010039	COLLAR EXTENSION RING		10	* 4402010079	SKIMMER FLAP	
4	4402010505	VACUUM PLATE		10	* 4402010080	SKIMMER FLAP	

* SEE OBSERVATIONS SHEET

CODE **11310, 11310CL090, 11310CL129, 11310CL144**

DESCRIPTION: **SKIMMER 17.5L PP. STANDARD MOUTH + EXTENSION + SQUARE COVER**

5	4402010504	BASKET 17,5 LITRES	11	4402014001	SMALL SKIMMER GASKETS FOR LINER PO
6	4402010503	BLANKING PLUG AND 'O' RING	12	* 4402010308	SMALL SKIMMER FRAME
12	* 4402010121	SMALL SKIMMER FRAME	12	* 4402010088	SMALL SKIMMER FRAME
12	* 4402010126	SMALL SKIMMER FRAME			

CODE **11310, 11310CL090, 11310CL129, 11310CL144**

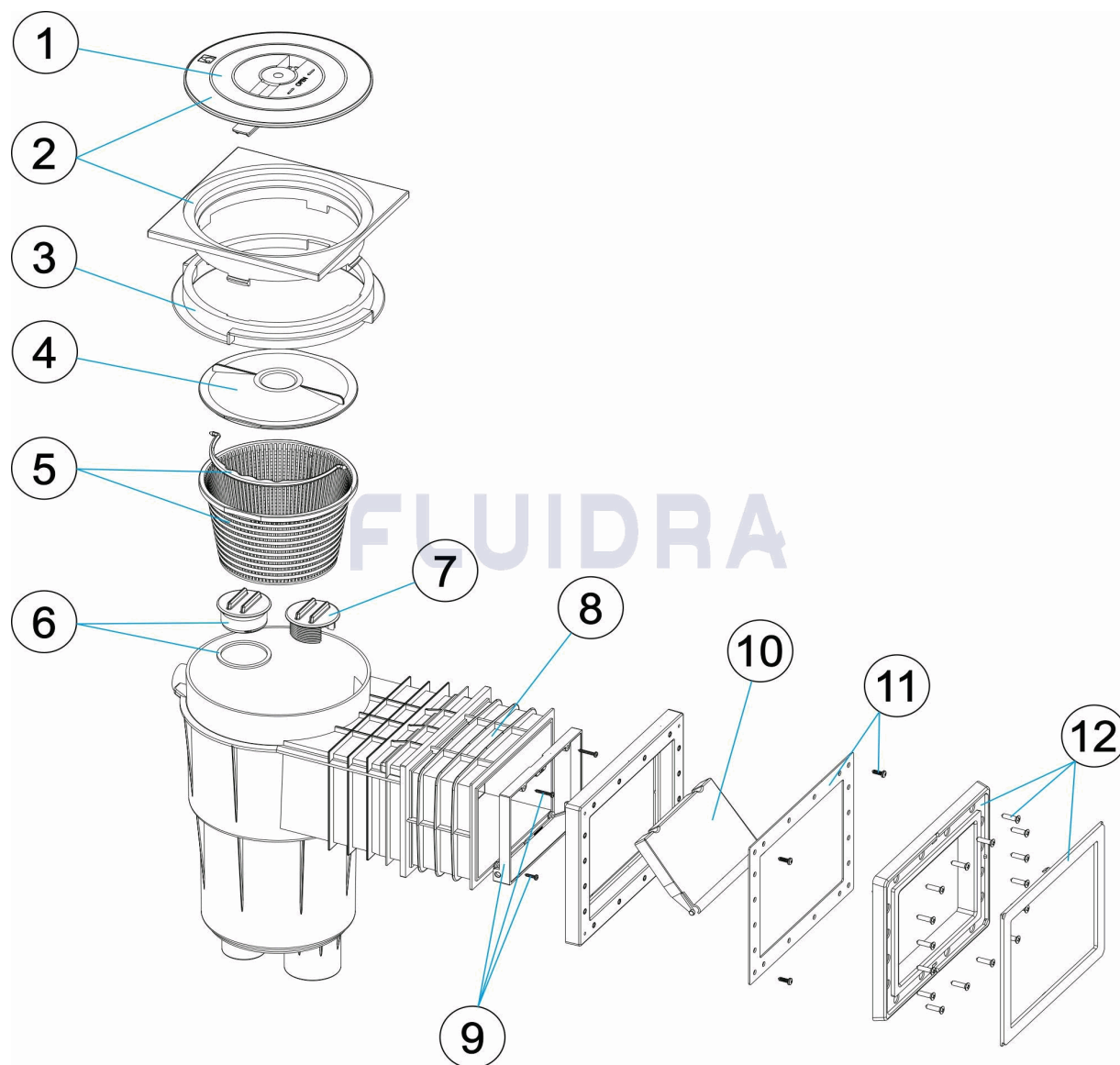
DESCRIPTION: **SKIMMER 17.5L PP. STANDARD MOUTH + EXTENSION + SQUARE COVER**

OBSERVATIONS

POS	CODE	OBSERVATIONS
1	* 4402010509	FOR: 11310 WHITE
1	* 4402010064	FOR: 11310CL090 BEIGE
1	* 4402010066	FOR: 11310CL129 GREY
1	* 4402010041	FOR: 11310CL144 ANTHRACITE
2	* 4402010510	FOR: 11310 WHITE
2	* 05280-0700CL090	FOR: 11310CL090 BEIGE
2	* 05280-0700CL129	FOR: 11310CL129 GREY
2	* 05280-0700CL144	FOR: 11310CL144 ANTHRACITE
3	* 4402010506	FOR: 11310 WHITE
3	* 4402010073	FOR: 11310CL090 BEIGE
3	* 4402010075	FOR: 11310CL129 GREY
3	* 4402010039	FOR: 11310CL144 ANTHRACITE
8	* 4402010082	FOR: 11310 WHITE
8	* 4402010127	FOR: 11310CL090 BEIGE
8	* 4402010128	FOR: 11310CL129 GREY
8	* 4402010129	FOR: 11310CL144 ANTHRACITE
9	* 4402010508	FOR: 11310 WHITE
9	* 4402010119	FOR: 11310CL090 BEIGE
9	* 4402010120	FOR: 11310CL129 GREY
9	* 4402010042	FOR: 11310CL144 ANTHRACITE
10	* 4402010501	FOR: 11310 WHITE
10	* 4402010076	FOR: 11310CL090 BEIGE
10	* 4402010079	FOR: 11310CL129 GREY
10	* 4402010080	FOR: 11310CL144 ANTHRACITE
12	* 4402010308	FOR: 11310 WHITE
12	* 4402010121	FOR: 11310CL090 BEIGE
12	* 4402010126	FOR: 11310CL129 GREY
12	* 4402010088	FOR: 11310CL144 ANTHRACITE

CODICE 11310, 11310CL090, 11310CL129, 11310CL144

DESCRIZIONE: SKIMMER 17,5L B. STD. + ESTENSIONE + TAPPO QUADRATO



ITALIANO

POS	CODICE	DESCRIZIONE	QUANTITA'	POS	CODICE	DESCRIZIONE	QUANTITA'
1	* 4402010509	COPERCHIO SKIMMER		7	4402010502	TAPPO DI REGOLAZIONE	
1	* 4402010064	COPERCHIO SKIMMER		8	* 4402010082	BOCCA INTERMEDIA SKIMMER	
1	* 4402010066	COPERCHIO SKIMMER		8	* 4402010127	BOCCA INTERMEDIA SKIMMER	
1	* 4402010041	COPERCHIO SKIMMER		8	* 4402010128	BOCCA INTERMEDIA SKIMMER	
2	* 4402010510	FLANGIA QUADRATA E COPERCHIO		8	* 4402010129	BOCCA INTERMEDIA SKIMMER	
2	* 05280-0700CL090	FLANGIA QUADRATA E COPERCHIO		9	* 4402010508	CORNICE BATTENTE SKIMMER	
2	* 05280-0700CL129	FLANGIA QUADRATA E COPERCHIO		9	* 4402010119	CORNICE BATTENTE SKIMMER	
2	* 05280-0700CL144	FLANGIA QUADRATA E COPERCHIO		9	* 4402010120	CORNICE BATTENTE SKIMMER	
3	* 4402010506	ANELLO DISTANZIATORE SKIMMER		9	* 4402010042	CORNICE BATTENTE SKIMMER	
3	* 4402010073	ANELLO DISTANZIATORE SKIMMER		10	* 4402010501	BATTENTE SKIMMER CON CLIP	
3	* 4402010075	ANELLO DISTANZIATORE SKIMMER		10	* 4402010076	BATTENTE SKIMMER CON CLIP	
3	* 4402010039	ANELLO DISTANZIATORE SKIMMER		10	* 4402010079	BATTENTE SKIMMER CON CLIP	
4	4402010505	COPERCHIO CESTELLO SKIMMER		10	* 4402010080	BATTENTE SKIMMER CON CLIP	

* SI FACCIA RIFERIMENTO AL FOGLIO DELLE OSSERVAZIONI

CODICE **11310, 11310CL090, 11310CL129, 11310CL144**

DESCRIZIONE: **SKIMMER 17,5L B. STD. + ESTENSIONE + TAPPO QUADRATO**

5	4402010504	CESTELLO SKIMMER DA 17,5 LITRI	11	4402014001	GUARNIZIONE PER SKIMMER BASE P.F.
6	4402010503	TAPPO CON GUARNIZIONE	12	* 4402010308	CORNICE PICCOLA SKIMMER
12	* 4402010121	CORNICE PICCOLA SKIMMER	12	* 4402010088	CORNICE PICCOLA SKIMMER
12	* 4402010126	CORNICE PICCOLA SKIMMER			

CODICE **11310, 11310CL090, 11310CL129, 11310CL144**

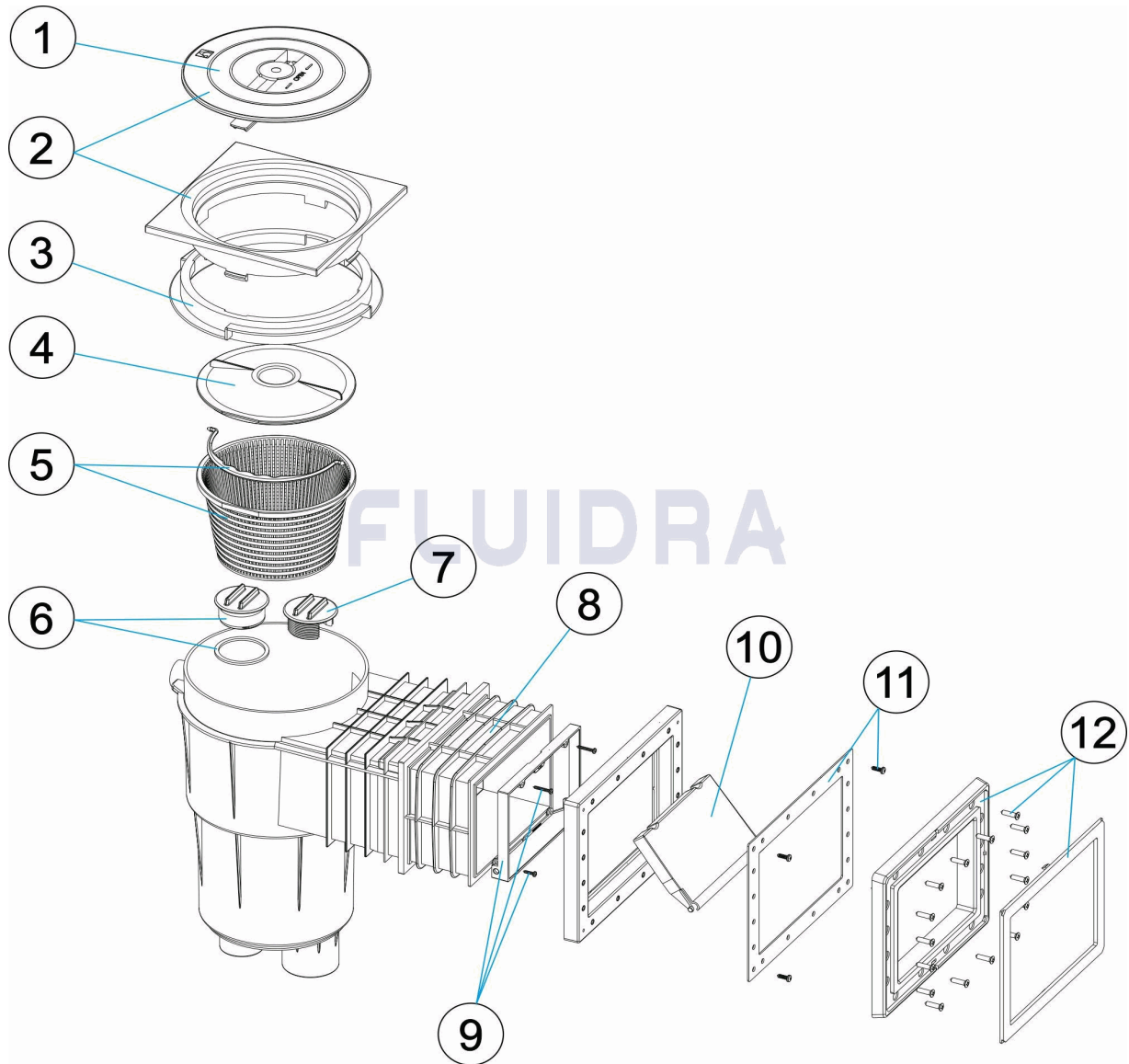
DESCRIZIONE: **SKIMMER 17,5L B. STD. + ESTENSIONE + TAPPO QUADRATO**

OSSERVAZIONI

POS	CODICE	OSSERVAZIONI
1	* 4402010509	PER: 11310 WHITE
1	* 4402010064	PER: 11310CL090 BEIGE
1	* 4402010066	PER: 11310CL129 GREY
1	* 4402010041	PER: 11310CL144 ANTHRACITE
2	* 4402010510	PER: 11310 WHITE
2	* 05280-0700CL090	PER: 11310CL090 BEIGE
2	* 05280-0700CL129	PER: 11310CL129 GREY
2	* 05280-0700CL144	PER: 11310CL144 ANTHRACITE
3	* 4402010506	PER: 11310 WHITE
3	* 4402010073	PER: 11310CL090 BEIGE
3	* 4402010075	PER: 11310CL129 GREY
3	* 4402010039	PER: 11310CL144 ANTHRACITE
8	* 4402010082	PER: 11310 WHITE
8	* 4402010127	PER: 11310CL090 BEIGE
8	* 4402010128	PER: 11310CL129 GREY
8	* 4402010129	PER: 11310CL144 ANTHRACITE
9	* 4402010508	PER: 11310 WHITE
9	* 4402010119	PER: 11310CL090 BEIGE
9	* 4402010120	PER: 11310CL129 GREY
9	* 4402010042	PER: 11310CL144 ANTHRACITE
10	* 4402010501	PER: 11310 WHITE
10	* 4402010076	PER: 11310CL090 BEIGE
10	* 4402010079	PER: 11310CL129 GREY
10	* 4402010080	PER: 11310CL144 ANTHRACITE
12	* 4402010308	PER: 11310 WHITE
12	* 4402010121	PER: 11310CL090 BEIGE
12	* 4402010126	PER: 11310CL129 GREY
12	* 4402010088	PER: 11310CL144 ANTHRACITE

CODE 11310, 11310CL090, 11310CL129, 11310CL144

BESCHREIBUNG: SKIMMER 17,5L EINLASS STANDARD VERLÄNGERUNG ABDECKUNG Q



DEUTSCH

POS	CODE	BESCHREIBUNG	MENGE	POS	CODE	BESCHREIBUNG	MENGE
1	* 4402010509	SKIMMERDECKEL		7	4402010502	STOPFEN REGULIERUNG	
1	* 4402010064	SKIMMERDECKEL		8	* 4402010082	EINLASS MITTIG SKIMMER	
1	* 4402010066	SKIMMERDECKEL		8	* 4402010127	EINLASS MITTIG SKIMMER	
1	* 4402010041	SKIMMERDECKEL		8	* 4402010128	EINLASS MITTIG SKIMMER	
2	* 4402010510	QUADRATISCHER RAHMEN UND ABDECKL		8	* 4402010129	EINLASS MITTIG SKIMMER	
2	* 05280-0700CL090	QUADRATISCHER RAHMEN UND ABDECKL		9	* 4402010508	RAHMEN SKIMMERKLAPPE	
2	* 05280-0700CL129	QUADRATISCHER RAHMEN UND ABDECKL		9	* 4402010119	RAHMEN SKIMMERKLAPPE	
2	* 05280-0700CL144	QUADRATISCHER RAHMEN UND ABDECKL		9	* 4402010120	RAHMEN SKIMMERKLAPPE	
3	* 4402010506	DISTANZRING SKIMMER		9	* 4402010042	RAHMEN SKIMMERKLAPPE	
3	* 4402010073	DISTANZRING SKIMMER		10	* 4402010501	SKIMMERKLAPPE MIT CLIP	
3	* 4402010075	DISTANZRING SKIMMER		10	* 4402010076	SKIMMERKLAPPE MIT CLIP	
3	* 4402010039	DISTANZRING 17,5 L		10	* 4402010079	SKIMMERKLAPPE MIT CLIP	
4	4402010505	ABDECKUNG SKIMMKORB		10	* 4402010080	SKIMMERKLAPPE MIT CLIP	

* SIEHE ANMERKUGSBLATT

CODE **11310, 11310CL090, 11310CL129, 11310CL144**

BESCHREIBUNG: **SKIMMER 17,5L EINLASS STANDARD VERLÄNGERUNG ABDECKUNG Q**

5	4402010504	SKIMMERKORB 17,5 L	11	4402014001	DICHTUNG SKIMMER KLEIN FERTIGBECKE
6	4402010503	STOPFEN UND DICHTUNG	12	* 4402010308	KLEINER SKIMMERRAHMEN
12	* 4402010121	KLEINER SKIMMERRAHMEN	12	* 4402010088	KLEINER SKIMMERRAHMEN
12	* 4402010126	KLEINER SKIMMERRAHMEN			

CODE **11310, 11310CL090, 11310CL129, 11310CL144**

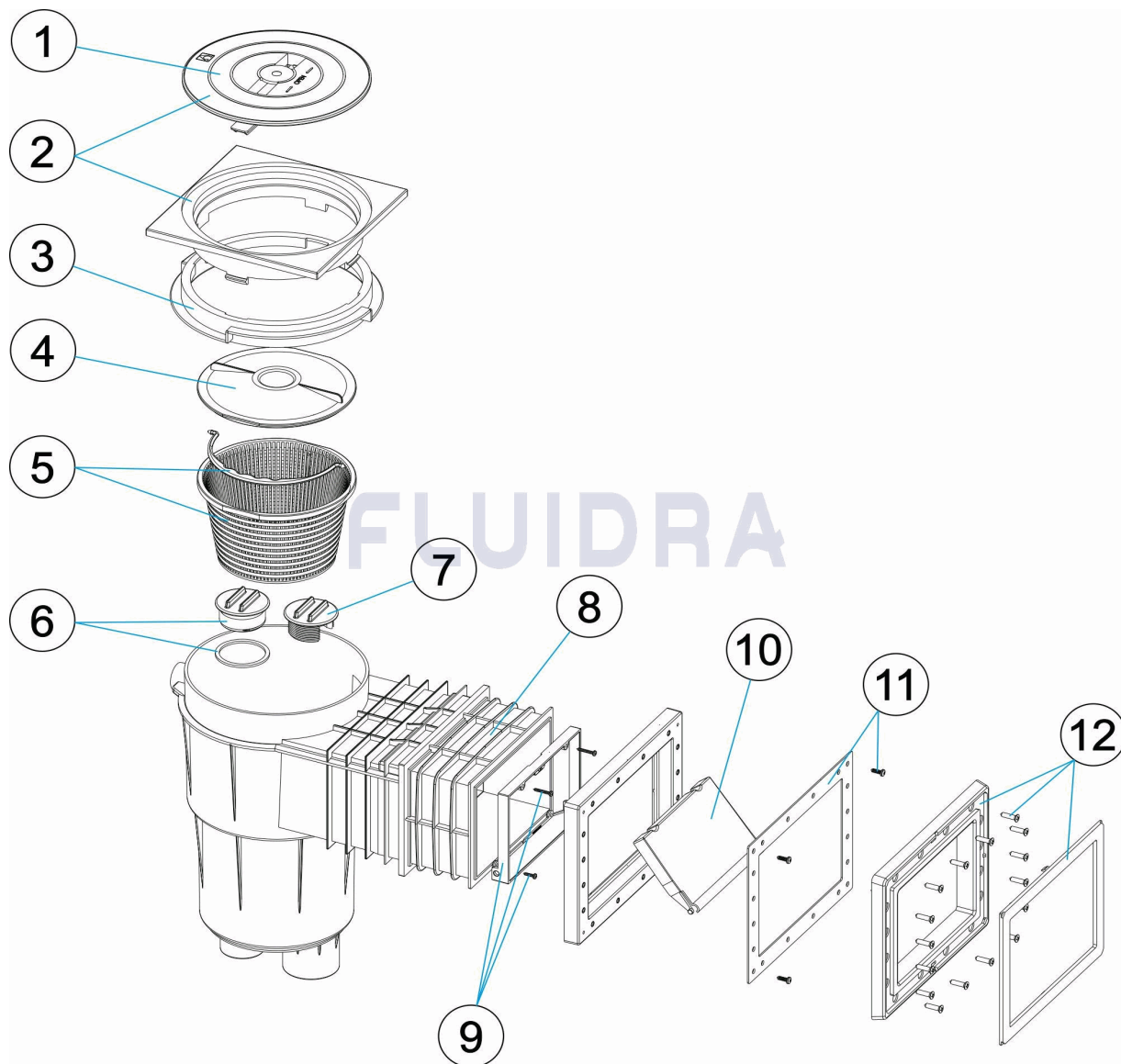
BESCHREIBUNG: **SKIMMER 17,5L EINLASS STANDARD VERLÄNGERUNG ABDECKUNG Q**

HINWEISE

POS	CODE	HINWEISE
1	* 4402010509	FÜR: 11310 WHITE
1	* 4402010064	FÜR: 11310CL090 BEIGE
1	* 4402010066	FÜR: 11310CL129 GREY
1	* 4402010041	FÜR: 11310CL144 ANTHRACITE
2	* 4402010510	FÜR: 11310 WHITE
2	* 05280-0700CL090	FÜR: 11310CL090 BEIGE
2	* 05280-0700CL129	FÜR: 11310CL129 GREY
2	* 05280-0700CL144	FÜR: 11310CL144 ANTHRACITE
3	* 4402010506	FÜR: 11310 WHITE
3	* 4402010073	FÜR: 11310CL090 BEIGE
3	* 4402010075	FÜR: 11310CL129 GREY
3	* 4402010039	FÜR: 11310CL144 ANTHRACITE
8	* 4402010082	FÜR: 11310 WHITE
8	* 4402010127	FÜR: 11310CL090 BEIGE
8	* 4402010128	FÜR: 11310CL129 GREY
8	* 4402010129	FÜR: 11310CL144 ANTHRACITE
9	* 4402010508	FÜR: 11310 WHITE
9	* 4402010119	FÜR: 11310CL090 BEIGE
9	* 4402010120	FÜR: 11310CL129 GREY
9	* 4402010042	FÜR: 11310CL144 ANTHRACITE
10	* 4402010501	FÜR: 11310 WHITE
10	* 4402010076	FÜR: 11310CL090 BEIGE
10	* 4402010079	FÜR: 11310CL129 GREY
10	* 4402010080	FÜR: 11310CL144 ANTHRACITE
12	* 4402010308	FÜR: 11310 WHITE
12	* 4402010121	FÜR: 11310CL090 BEIGE
12	* 4402010126	FÜR: 11310CL129 GREY
12	* 4402010088	FÜR: 11310CL144 ANTHRACITE

CODIGO 11310, 11310CL090, 11310CL129, 11310CL144

DESCRIÇÃO: SKIMMER 17,5 L B. STAND. + EXTENSÃO + T. QUADR.



PORTUGUES

POS	CODIGO	DESCRIÇÃO	JANTIDADE	POS	CODIGO	DESCRIÇÃO	JANTIDADE
1	* 4402010509	TAMPA SKIMMER		7	4402010502	TAMPA REGULADORA	
1	* 4402010064	TAMPA SKIMMER		8	* 4402010082	BOCA INTERMÉDIA DE SKIMMER	
1	* 4402010066	TAMPA SKIMMER		8	* 4402010127	BOCA INTERMÉDIA DE SKIMMER	
1	* 4402010041	TAMPA SKIMMER		8	* 4402010128	BOCA INTERMÉDIA DE SKIMMER	
2	* 4402010510	ARO QUADRADO E TAMPA		8	* 4402010129	BOCA INTERMÉDIA DE SKIMMER	
2	* 05280-0700CL090	ARO QUADRADO E TAMPA		9	* 4402010508	CAIXILHO COMPORTA SKIMMER	
2	* 05280-0700CL129	ARO QUADRADO E TAMPA		9	* 4402010119	CAIXILHO COMPORTA SKIMMER	
2	* 05280-0700CL144	ARO QUADRADO E TAMPA		9	* 4402010120	CAIXILHO COMPORTA SKIMMER	
3	* 4402010506	ANEL DISTANCIADOR SKIMMER		9	* 4402010042	CAIXILHO COMPORTA SKIMMER	
3	* 4402010073	ANEL DISTANCIADOR SKIMMER		10	* 4402010501	COMPORTA SKIMMER CLIP	
3	* 4402010075	ANEL DISTANCIADOR SKIMMER		10	* 4402010076	COMPORTA SKIMMER CLIP	
3	* 4402010039	ANEL DISTANCIADOR SKIMMER		10	* 4402010079	COMPORTA SKIMMER CLIP	
4	4402010505	TAMPA CESTO SKIMMER		10	* 4402010080	COMPORTA SKIMMER CLIP	

* VEJA A FICHA DE OBSERVAÇÕES

CODIGO **11310, 11310CL090, 11310CL129, 11310CL144**

DESCRIÇÃO: SKIMMER 17,5 L B. STAND. + EXTENSÃO + T. QUADR.

5	4402010504	CESTO SKIMMER 17,5 LTS	11	4402014001	JUNTA PEQUENA DE SKIMMER
6	4402010503	TAMPA COM JUNTA	12	* 4402010308	ARO PEQUENO SKIMMER
12	* 4402010121	ARO PEQUENO SKIMMER	12	* 4402010088	ARO PEQUENO SKIMMER
12	* 4402010126	ARO PEQUENO SKIMMER			

CODIGO 11310, 11310CL090, 11310CL129, 11310CL144

DESCRIÇÃO: SKIMMER 17,5 L B. STAND. + EXTENSÃO + T. QUADR.

OBSERVAÇÕES

POS	CODIGO	OBSERVAÇÕES
1	* 4402010509	PARA: 11310 WHITE
1	* 4402010064	PARA: 11310CL090 BEIGE
1	* 4402010066	PARA: 11310CL129 GREY
1	* 4402010041	PARA: 11310CL144 ANTHRACITE
2	* 4402010510	PARA: 11310 WHITE
2	* 05280-0700CL090	PARA: 11310CL090 BEIGE
2	* 05280-0700CL129	PARA: 11310CL129 GREY
2	* 05280-0700CL144	PARA: 11310CL144 ANTHRACITE
3	* 4402010506	PARA: 11310 WHITE
3	* 4402010073	PARA: 11310CL090 BEIGE
3	* 4402010075	PARA: 11310CL129 GREY
3	* 4402010039	PARA: 11310CL144 ANTHRACITE
8	* 4402010082	PARA: 11310 WHITE
8	* 4402010127	PARA: 11310CL090 BEIGE
8	* 4402010128	PARA: 11310CL129 GREY
8	* 4402010129	PARA: 11310CL144 ANTHRACITE
9	* 4402010508	PARA: 11310 WHITE
9	* 4402010119	PARA: 11310CL090 BEIGE
9	* 4402010120	PARA: 11310CL129 GREY
9	* 4402010042	PARA: 11310CL144 ANTHRACITE
10	* 4402010501	PARA: 11310 WHITE
10	* 4402010076	PARA: 11310CL090 BEIGE
10	* 4402010079	PARA: 11310CL129 GREY
10	* 4402010080	PARA: 11310CL144 ANTHRACITE
12	* 4402010308	PARA: 11310 WHITE
12	* 4402010121	PARA: 11310CL090 BEIGE
12	* 4402010126	PARA: 11310CL129 GREY
12	* 4402010088	PARA: 11310CL144 ANTHRACITE