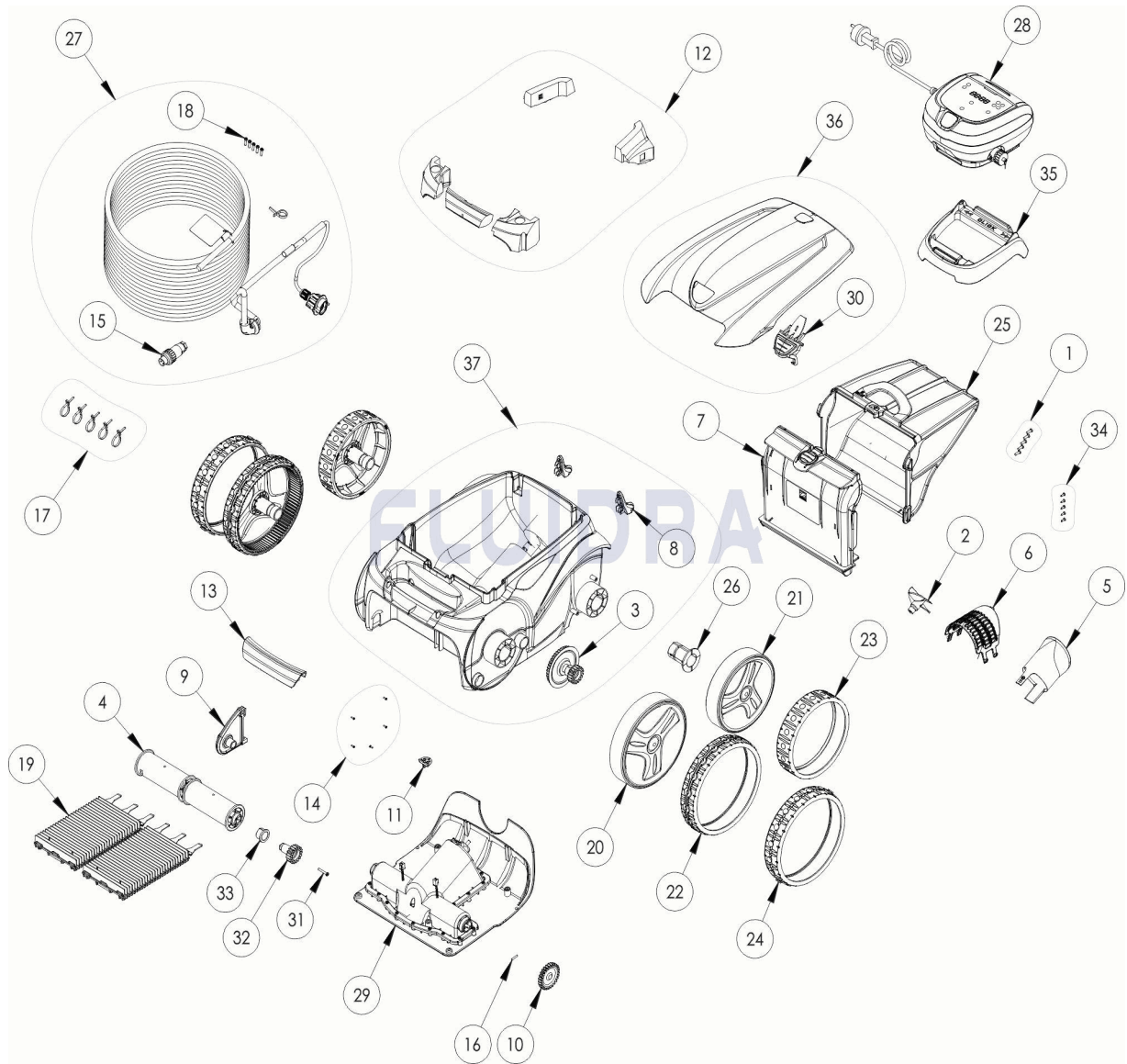


CODIGO **WR000268**

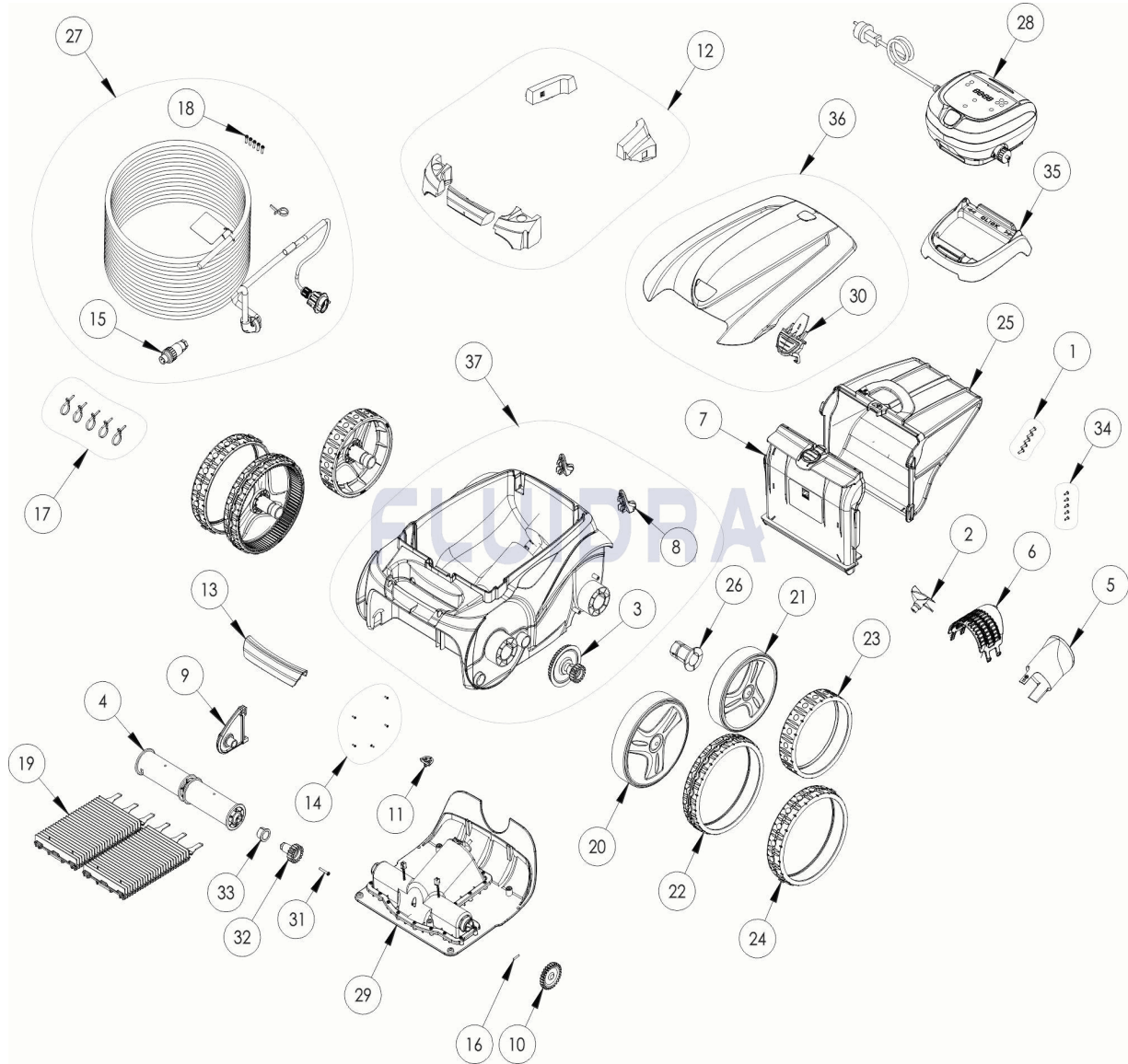
 DESCRIPCION: **VORTEX PS 200**

**ESPAÑOL**

POS	CODIGO	DESCRIPCION	CANTIDAD	POS	CODIGO	DESCRIPCION	CANTIDAD
1	R0516700	TORNILLO 4*12 MM (PACK DE 5 UN.)	1	16	R0567800	CLIP FIJADOR 3*16 MM (Pack 5 UN)	1
2	R0517000	HÉLICE	1	17	R0567900	ABRAZADERAS CABLE FLOTANTE ( Pack 5	1
3	R0517200	CJTO.TRANSMISIÓN	2	18	R0608500	TORNILLO 4*16 MM (PACK DE 5 UN	1
4	R0517400	RODILLO PORTACEPILLOS (Pack 2 UN)	1	19	R0635903	CEPILLOS ZODIAC (Pack 2 UN)	1
5	R0517500	CANALIZADOR DE FLUJO	1	20	R0636001	LLANTA GRANDE R9022 ZODIAC	2
6	R0517600	MALLA PROTECCIÓN	1	21	R0636100	LLANTA PEQUEÑA R9022 ZODIAC	2
7	R0517700	SOPORTE FILTRO	1	22	R0636201	CUBIERTA GD NEGRA ZODIAC	2
8	R0518100	PARACHOQUES CON RUEDAS (Pack 2 UN)	1	23	R0636300	CUBIERTA DE RUEDA TRASERA NEGRA ZO	2
9	R0518703	CLIP FIJACIÓN DE RODILLOS PMS7712	1	24	R0636400	CUBIERTA DE RUEDA DELANTERA TILE ZO	2
10	R0518800	PIÑÓN 27 DIENTES (Pack 2 UN)	1	25	R0636600	FILTRO RESIDUOS FINOS 100µ V	1
11	R0519000	RAMPA	1	26	R0636700	CASQUILLO COJINETE RUEDA ZODIAC	4
12	R0539700	FLOTADOR	1	27	R0636800	CABLE FLOTANTE 15M	1
13	R0540403	EMPUÑADURA RAL9022	1	28	R0637300	UNIDAD DE CONTROL TIPO 5V	1

CODIGO **WR000268**DESCRIPCION: **VORTEX PS 200**

14	R0564500	TORNILLO 2,2*6,5 MM (5 UN.)	1	29	R0637800	BLOQUE MOTOR TIPO A	1
15	R0565600	CONECTOR DE CABLE 4 PINS	1	30	R0638701	CIERRE TAPA PMS7712	1
31	R0638900	TORNILLO 4*25 MM (Pack 5 UN)	1	35	R0662600	SOPORTE UNIDAD DE CONTROL	1
32	R0639000	PIÑÓN 17 DIENTES (Pack 2 UN)	1	36	R0883300	TAPA COMPLETA	1
33	R0639100	CASQUILLO EXTERIOR (Pack 2 UN)	1	37	R0883800	TAPA COMPLETA	1
34	R0639200	TORNILLO 2.9*9.5 MM (Pack 5 UN)	1				

CODE **WR000268**

 DESCRIPTION: **VORTEX PS 200**


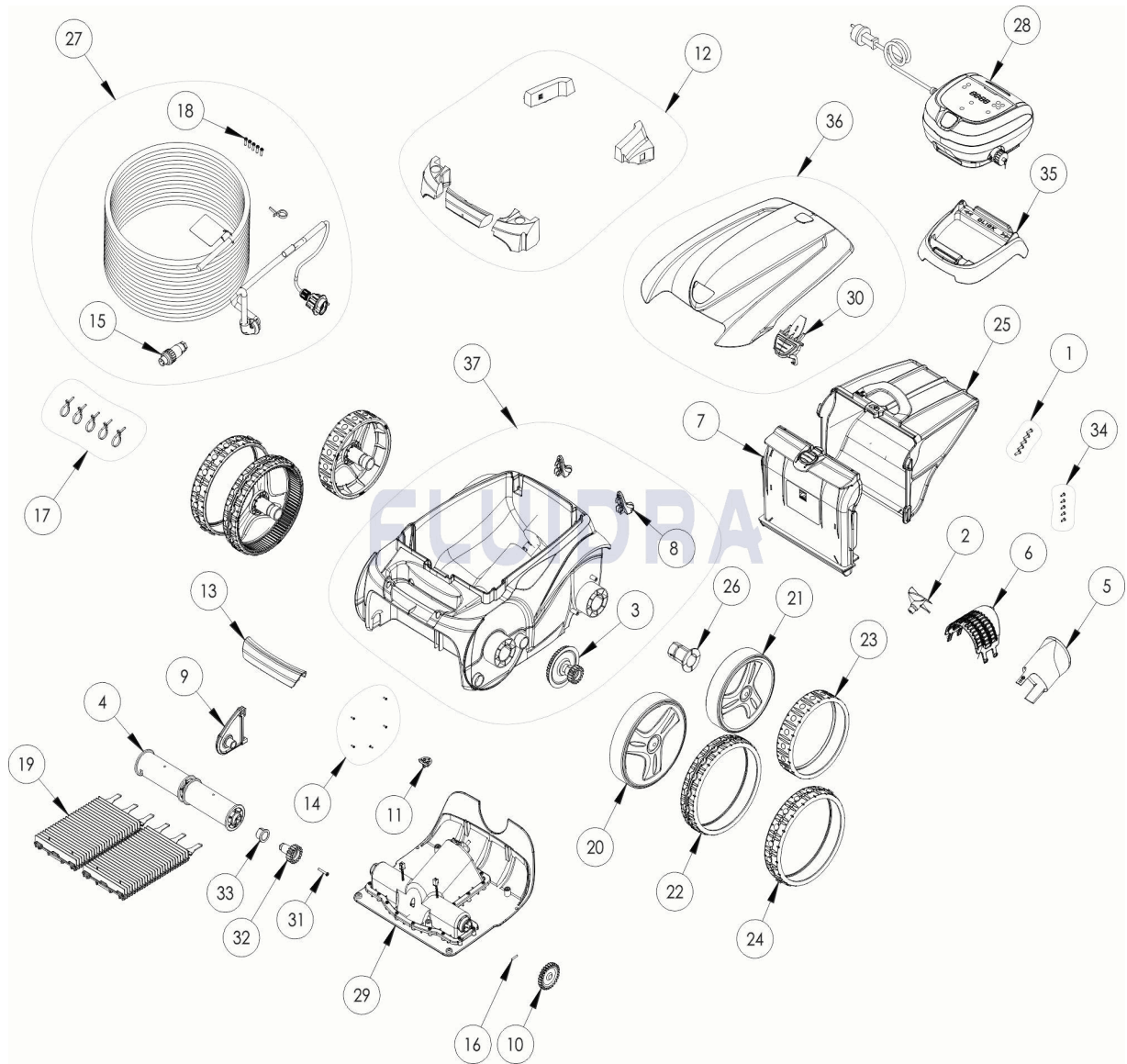
### FRANCAIS

POS	CODE	DESCRIPTION	QUANTITE	POS	CODE	DESCRIPTION	QUANTITE
1	R0516700	VIS 4*12 MM (X5)	1	16	R0567800	GOUPILLE 3*16 MM (*5)	1
2	R0517000	HELICE V	1	17	R0567900	LIEN SERRAGE CABLE FLOTT (*5)	1
3	R0517200	TRANSMISSION	2	18	R0608500	VIS 4*16 MM A4 (*5)	1
4	R0517400	SUPPORT BROSE (* 2 )	1	19	R0635903	BROSSE TYPE 1 PMS7712 ZODIAC (* 2 )	1
5	R0517500	GUIDE FLUX	1	20	R0636001	JANTE GDE R9022 ZODIAC	2
6	R0517600	GRILLE MOTEUR	1	21	R0636100	JANTE PETITE R9022 ZODIAC	2
7	R0517700	SUPPORT FILTRE V	1	22	R0636201	BANDAGE GD NOIR ZODIAC	2
8	R0518100	BUMPER A ROULETTE(*2)	1	23	R0636300	BANDAGE ARR NOIR ZODIAC	2
9	R0518703	PONTET BROSE PMS7712	1	24	R0636400	BANDAGE AVANT TILE ZODIAC	2
10	R0518800	PIGNON 27 DENTS (*2)	1	25	R0636600	FILTRE DEBRIS FIN 100µ V	1
11	R0519000	RAMPE	1	26	R0636700	PALIER ROUE ZODIAC	4
12	R0539700	FLOTTEUR COMPLET	1	27	R0636800	CABLE FLOTTANT 15M	1
13	R0540403	POIGNEE RAL9022	1	28	R0637300	COFFRET COMMANDE TYPE 5V	1

CODE **WR000268**DESCRIPTION: **VORTEX PS 200**

14	R0564500	VIS 2,2*6,5 MM (X5)	1	29	R0637800	BLOC MOTEUR TYPE A	1
15	R0565600	CONNECTEUR 4 PTS	1	30	R0638701	VERROU TRAPPE PMS7712	1
31	R0638900	VIS 4*25 MM (*5)	1	35	R0662600	SOCLE COFFRET COMMANDE	1
32	R0639000	PIGNON 17 DENTS (*2)	1	36	R0883300	COUVERCLE COMPLET	1
33	R0639100	PALIER EXTERIEUR (*2)	1	37	R0883800	COQUE COMPLETE	1
34	R0639200	VIS 2.9*9.5 MM (*5)	1				

CODE **WR000268**  
DESCRIPTION: **VORTEX PS 200**



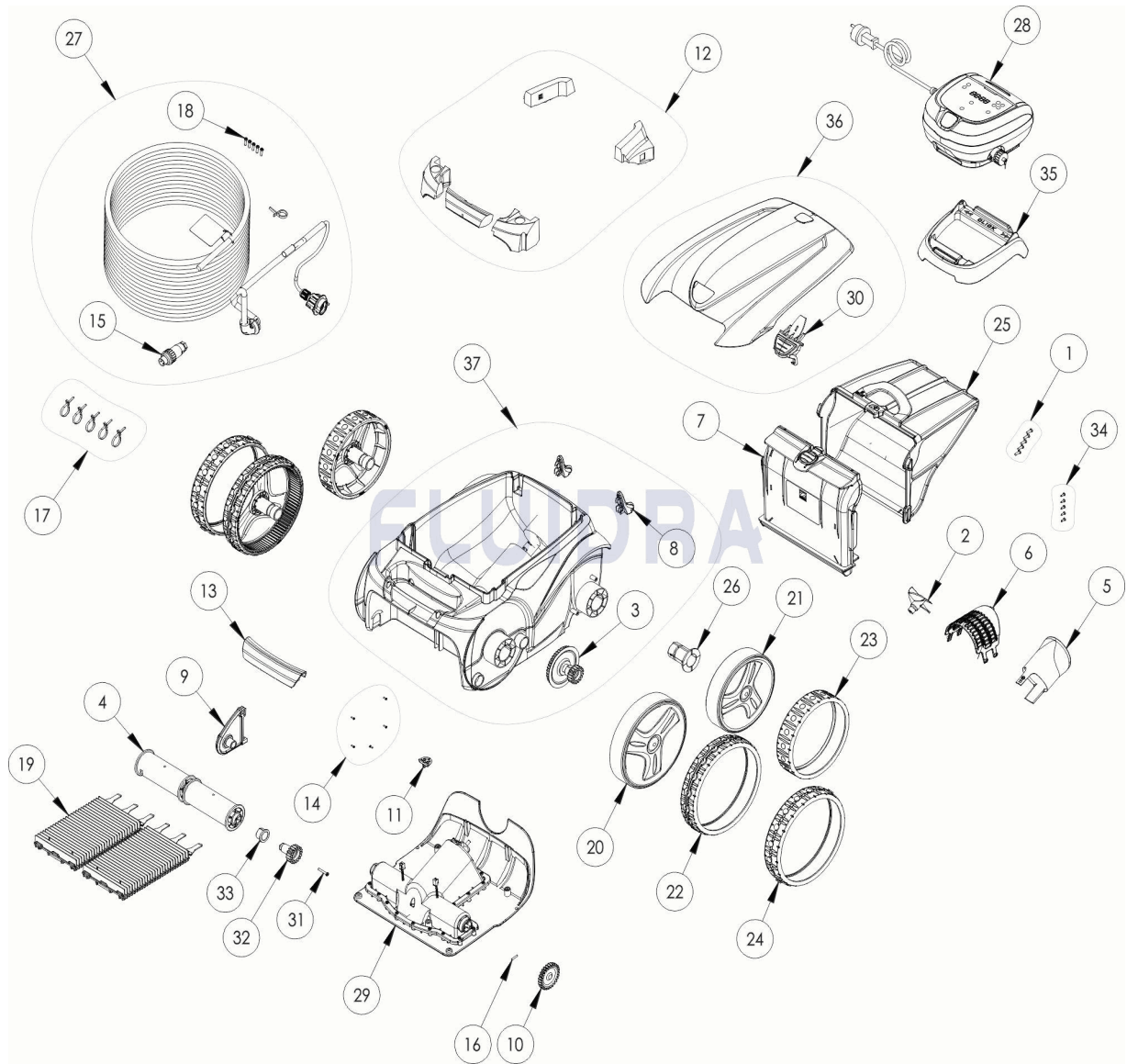
**ENGLISH**

POS	CODE	DESCRIPTION	QUANTITY	POS	CODE	DESCRIPTION	QUANTITY
1	R0516700	SCREWS 4*12 MM (X5)	1	16	R0567800	MOTOR BLOCK SHAFT PIN (SET OF 5)	1
2	R0517000	PROPELLER	1	17	R0567900	FLOATING CABLE CLAMP (SET OF 5)	1
3	R0517200	TRANSMISSION	2	18	R0608500	SCREW 4*16MM (set of 5)	1
4	R0517400	BRUSH ROLLER	1	19	R0635903	BRUSH TYPE 1 PMS7712 ZODIAC (*2)	1
5	R0517500	FLOW OUTLET	1	20	R0636001	RIM LARGE R9022 ZODIAC	2
6	R0517600	MOTOR SCREEN	1	21	R0636100	RIM REAR R9022 ZODIAC	2
7	R0517700	FILTER CANISTER SUPPORT	1	22	R0636201	TIRE LARGE BLACK ZODIAC	2
8	R0518100	ROLLER (SET OF 2)	1	23	R0636300	TIRE REAR BLACK ZODIAC	2
9	R0518703	ROLLER SUPPORT PMS7712	1	24	R0636400	TIRE LARGE TILE ZODIAC	2
10	R0518800	DRIVE GEAR (SET OF 2)	1	25	R0636600	FINE FILTER V	1
11	R0519000	RAMPE	1	26	R0636700	WHEEL BUSHING ZODIAC	4
12	R0539700	FLOAT	1	27	R0636800	FLOATING CABLE 15M	1
13	R0540403	HANDLE RAL9022	1	28	R0637300	CONTROL UNIT TYPE 5V	1

CODE **WR000268**DESCRIPTION: **VORTEX PS 200**

14	R0564500	SCREWS 2,2*6,5 MM (X5)	1	29	R0637800	MOTOR BLOCK TYPE A	1
15	R0565600	FLOATING CABLE PLUG	1	30	R0638701	COVER LATCH GRIP PMS7712	1
31	R0638900	SCREW 4*25 MM (SET OF 5)	1	35	R0662600	CONTROL UNIT BASE	1
32	R0639000	17 GEAR (*2)	1	36	R0883300	COMPLETE COVER	1
33	R0639100	OUTER BEARING (*2)	1	37	R0883800	MAIN HOUSING	1
34	R0639200	SCREW 2.9*9.5 MM (SET OF 5)	1				

CODICE **WR000268**  
 DESCRIZIONE: **VORTEX PS 200**



### ITALIANO

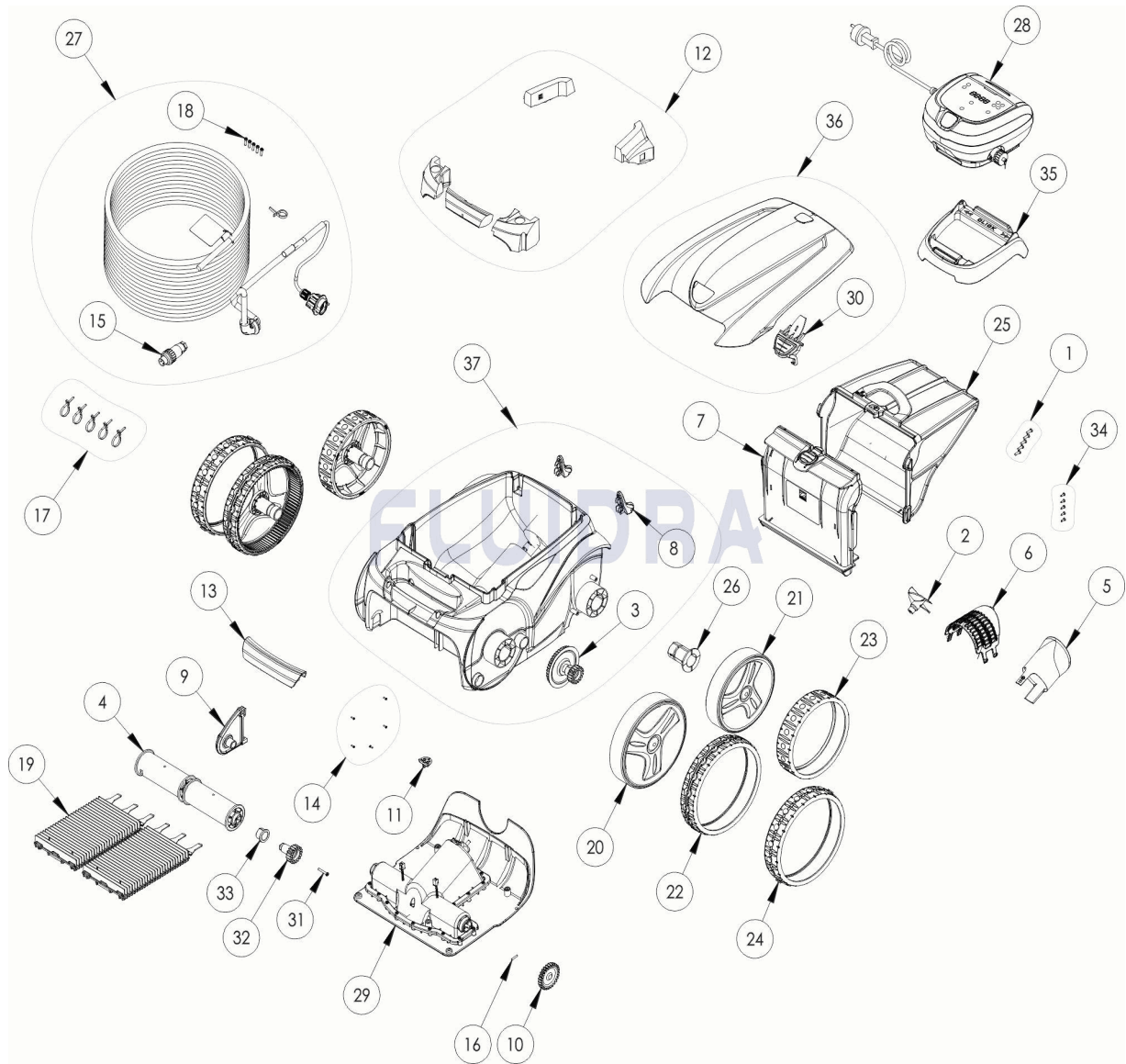
POS	CODICE	DESCRIZIONE	QUANTITA'	POS	CODICE	DESCRIZIONE	QUANTITA'
1	R0516700	VITE 4*12 MM (*5)	1	16	R0567800	COPIGLIA 3*16 MM (*5)	1
2	R0517000	ELICA	1	17	R0567900	SET 5 PINZE PER FLOTTANTI	1
3	R0517200	TRASMISSIONE	2	18	R0608500	VITE 4*16 MM A4 (*5)	1
4	R0517400	SUPPORTO SPAZZOLA (*2)	1	19	R0635903	SPAZZOLA TIPO 1 PMS7712 ZODIAC (*2)	1
5	R0517500	GUIDA FLUSSO	1	20	R0636001	CERCHIO GRANDE R9022 ZODIAC	2
6	R0517600	GRIGLIA	1	21	R0636100	CERCHIO PICCOLO R9022 ZODIAC	2
7	R0517700	SUPPORTO FILTRO V	1	22	R0636201	GOMMA GRANDE NERA ZODIAC	2
8	R0518100	PARAURTI A ROTELLA (*2)	1	23	R0636300	GOMMA POSTERIORE NERA ZODIAC	2
9	R0518703	PONTICELLO SPAZZOLA PMS7712	1	24	R0636400	GOMMA ANTERIORE TILE ZODIAC	2
10	R0518800	KIT 2 PIGNONE 27 DENTI	1	25	R0636600	FILTRO DETRITI SOTTILI	1
11	R0519000	RAMPE	1	26	R0636700	CUSCINETTO RUOTA ZODIAC	4
12	R0539700	FLOTTANTE COMPLETO	1	27	R0636800	CAVO GALLEGGIANTE 15M	1
13	R0540403	MANIGLIA RAL9022	1	28	R0637300	QUADRO COMANDI TIPO 5V	1

CODICE **WR000268**DESCRIZIONE: **VORTEX PS 200**

14	R0564500	VITE 2.2*6,5 MM (*5)	1	29	R0637800	BLOCCO MOTORE TIPO A	1
15	R0565600	CONNETTORE CAVO	1	30	R0638701	BLOCCO IMPUGNATURA COPERCHIO PMS	1
31	R0638900	VITE 4*25 MM (*5)	1	35	R0662600	PIEDISTALLO QUADRO COMANDI	1
32	R0639000	KIT 2 PIGNONE 17 DENTI	1	36	R0883300	COVER	1
33	R0639100	CUSCINETTO ESTERIORE (*2)	1	37	R0883800	COVER COMPLETO	1
34	R0639200	KIT 5 VITI 2.9*9.5 MM	1				



CODE **WR000268**

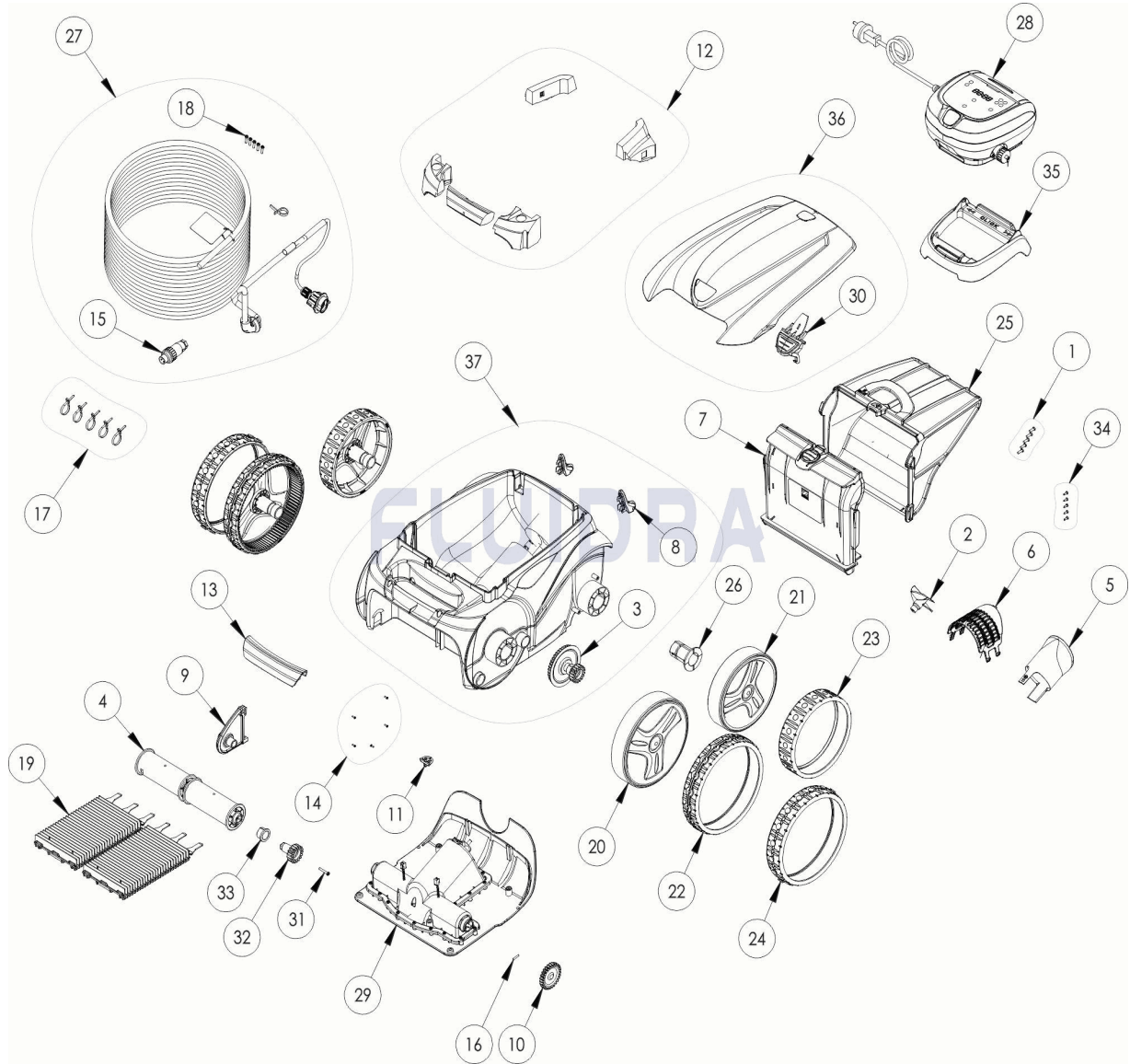
 BESCHREIBUNG: **VORTEX PS 200**

**DEUTSCH**

POS	CODE	BESCHREIBUNG	MENGE	POS	CODE	BESCHREIBUNG	MENGE
1	R0516700	SCHRAUBE 4 * 12 MM(SET mit 5 Stk.)	1	16	R0567800	SPLINT FÜR KREUZAPFENANTRIEB (SET	1
2	R0517000	TURBINE	1	17	R0567900	KLEMME FÜR SCHWIMMKABEL (SET mit 5 Stk.)	1
3	R0517200	GETRIEBE	2	18	R0608500	SCHRAUBE 4 * 16 MM, A4 (SET mit 5 Stk.)	1
4	R0517400	BÜRSTENWALZE (SET mit 2 Stk.)	1	19	R0635903	BÜRSTEN TYP 1 PMS7712 (SET mit 2 Stk.)	1
5	R0517500	STRÖMUNGSDÜSE	1	20	R0636001	FELGE GROß, VORNE, R9022	2
6	R0517600	SCHUTZGITTER	1	21	R0636100	FELGE KLEIN, HINTEN, R9022	2
7	R0517700	DECKEL FILTERKORB	1	22	R0636201	REIFEN GROß SCHWARZ	2
8	R0518100	STOSSFÄNGER MIT ROLLER (SET mit 2 Stk.)	1	23	R0636300	HINTERREIFEN SCHWARZ	2
9	R0518703	BÜRSTENANKER PMS7712	1	24	R0636400	REIFEN GROß FÜR FLIEßEN (NOPPENREIF	2
10	R0518800	ZAHNRAD 27 ZÄHNE (SET mit 2 Stk.)	1	25	R0636600	FILTER FEIN 100µ	1
11	R0519000	ABLEITRAMPE	1	26	R0636700	RADBÜCHSE EC	4
12	R0539700	SCHWIMMKÖRPER, KOMPLETT EC	1	27	R0636800	SCHWIMMKABEL KOMPLETT 15M	1
13	R0540403	GRIFFSTÜCK RAL9022	1	28	R0637300	STEUERBOX TYP 5V	1

CODE **WR000268**BESCHREIBUNG: **VORTEX PS 200**

14	R0564500	SCHRAUBE 2,2 * 6,5 MM (SET mit 5 Stk.)	1	29	R0637800	MOTORBLOCK TYP A	1
15	R0565600	SCHWIMMKABEL STECKER (4 PTS)	1	30	R0638701	GEHÄUSERIGEL, PMS7712	1
31	R0638900	SCHRAUBE 4 * 25 MM, A2 (SET mit 5 Stk.)	1	35	R0662600	HALTERUNG STEUERBOX	1
32	R0639000	ZAHNRAD 17 ZÄHNE (SET mit 2 Stk.)	1	36	R0883300	GEHÄUSEDECKEL KOMPLETT	1
33	R0639100	ZAHNRADBÜCHSE (SET mit 2 Stk.)	1	37	R0883800	GEHÄUSEDECKEL KOMPLETT	1
34	R0639200	ZYLINDERKOPFSCHRAUBE 2,9 * 9,5 MM (S	1				

CODIGO **WR000268**

 DESCRIÇÃO: **VORTEX PS 200**


### PORTUGUES

POS	CODIGO	DESCRIÇÃO	JANTIDADE	POS	CODIGO	DESCRIÇÃO	JANTIDADE
1	R0516700	PARAFUSO 4*12 MM (Pack 5 UN)	1	16	R0567800	CLIP FIXADOR 3*16 MM (Pack 5 UN)	1
2	R0517000	HÉLICE	1	17	R0567900	ABRACADEIRA CABO FLUTUANTE	1
3	R0517200	CJTO. TRANSMISSÃO	2	18	R0608500	PARAFUSO 4*16 MM A4 (Pack 5 UN)	1
4	R0517400	ROLO PORTA-ESCOVAS (Pack 2 UN)	1	19	R0635903	ESCOVAS ZODIAC (Pack 2 UN)	1
5	R0517500	CANALIZADOR DE FLUXO	1	20	R0636001	ARO GRANDE R9022 ZODIAC	2
6	R0517600	TELA PROTECÇÃO	1	21	R0636100	ARO PEQUENO R9022 ZODIAC	2
7	R0517700	SUPORTE FILTRO	1	22	R0636201	CAPA GD PRETA ZODIAC	2
8	R0518100	PÁRA-CHOQUES CON RODAS (Pack 2 UN)	1	23	R0636300	CAPA DE RODA TRASEIRAPRETA ZODIAC	2
9	R0518703	CLIP FIXAÇÃO ROLOS PMS7712	1	24	R0636400	CAPA DE RODA DIANTEIRA	2
10	R0518800	RODA DENTADA 27 DENTES (Pack 2 UN)	1	25	R0636600	FILTRO RESÍDUOS FINOS 100µ V	1
11	R0519000	RAMPA	1	26	R0636700	TAMPA DO ROLAMENTO DA RODA	4
12	R0539700	FLUTUADOR	1	27	R0636800	CABO FLUTUANTE 15M	1
13	R0540403	PEGA RAL9022	1	28	R0637300	UNIDADE DE CONTROLO TIPO 5V	1

CODIGO **WR000268**DESCRIÇÃO: **VORTEX PS 200**

14	R0564500	PARAFUSO 2.2*6,5mm (Pack 5 UN)	1	29	R0637800	BLOCO MOTOR TIPO A	1
15	R0565600	LIGAÇÃO DE CABO 4 PINS	1	30	R0638701	FECHO DA TAMPA PMS7712	1
31	R0638900	PARAFUSO 4*25 MM (Pack 5 UN)	1	35	R0662600	SUPORTE CAIXA DE COMANDOS	1
32	R0639000	RODA DENTADA 17 DENTES (Pack 2 UN)	1	36	R0883300	TAMPA COMPLETA	1
33	R0639100	TAMPA EXTERIOR (Pack 2 UN)	1	37	R0883800	TAMPA COMPLETA	1
34	R0639200	PARAFUSO 2.9*9.5 MM (Pack 5 UN)	1				