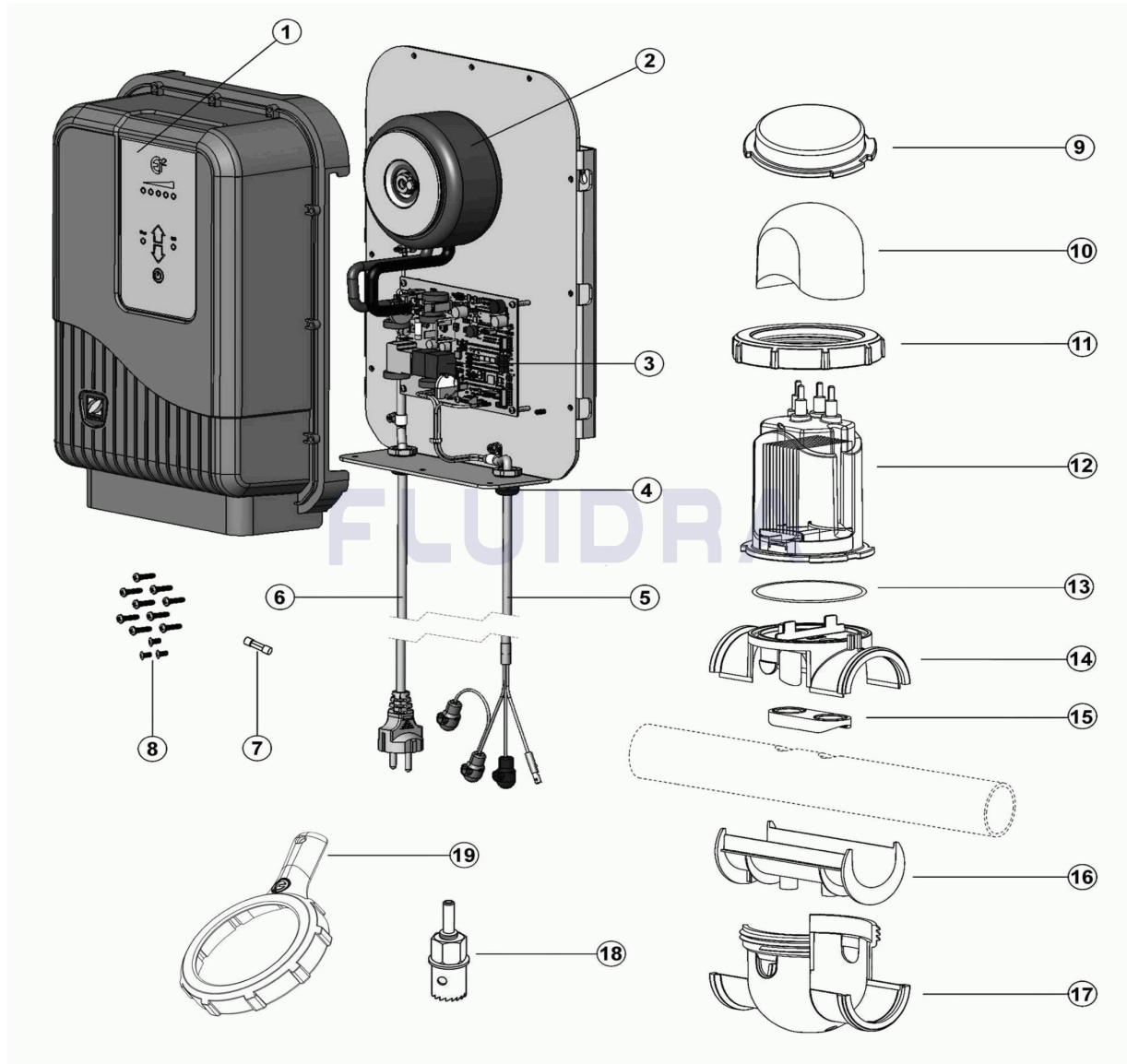


CODIGO **WW000064, WW000065, WW000066, WW000244, WW000245, WW000246**

 DESCRIPCION: EI²

ESPAÑOL

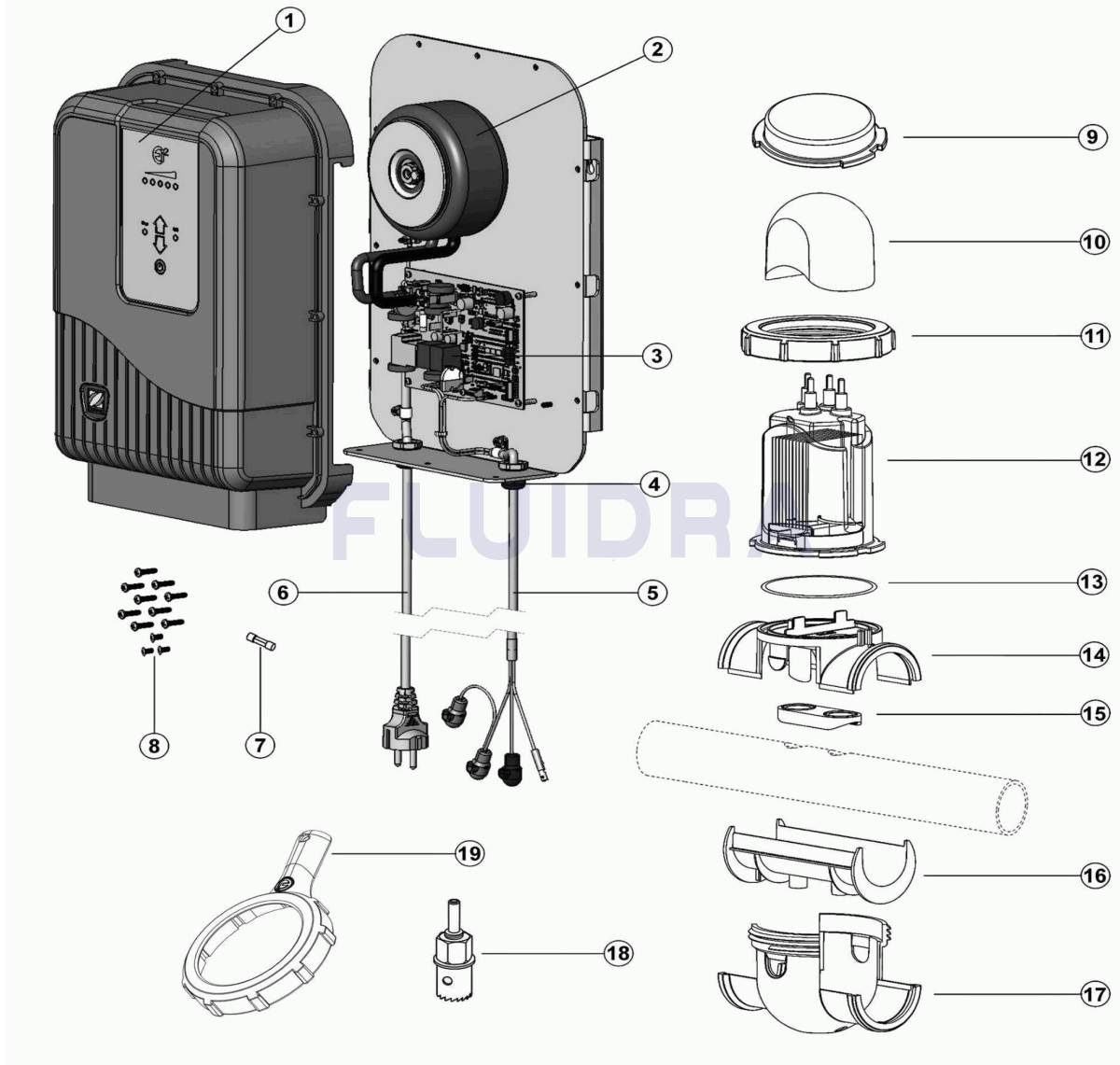
| POS | CODIGO | DESCRIPCION | CANTIDAD | POS | CODIGO | DESCRIPCION | CANTIDAD |
|-----|------------|---|----------|-----|------------|------------------------------------|----------|
| 1 | R0625400 | CONJUNTO TAPA + INTERFAZ DE USUARIK | | 12 | * R0673600 | ELECTRODO EI ² 12 | |
| 2 | R0609700 | KIT TRANSFORMADOR | | 12 | * R0673700 | ELECTRODO EI ² 20 | |
| 3 | * R0625600 | PCB ALIMENTACIÓN (+ PASTA TÉRMICA & ...) | | 12 | * R0759000 | ELECTRODO EI ² 25 | |
| 3 | R0871600 | PCB ALIMENTACIÓN (+ PASTA TÉRMICA & ...) | | 13 | R0738500 | JUNTA TÓRICA DEL POD | |
| 4 | R0625700 | KIT PRENSA - ESTOPAS (2 UN.) | | 14 | R0767900 | COLLARÍN SUPERIOR DE TOMA DE CARGA | |
| 5 | R0609800 | KIT CABLE CÉLULA | | 15 | R0767800 | JUNTA DE TUBO 1 ½" | |
| 6 | R0625100 | KIT CABLE ALIMENTACIÓN 230V | | 15 | R0769700 | ADAPTADOR DE TUBO EU Ø 50 O 63 MM | |
| 7 | W110201 | FUSIBLE M205 2,5 A T | | 16 | R0770200 | SUPLEMENTO ADAPTADOR DE TUBO 1 ½" | |
| 8 | R0609400 | KIT TORNILLERÍA TAPA (9 X M4/17 & 3 X M4) | | 16 | R0770000 | ADAPTADOR PARA TUBO Ø50 MM (EU) | |
| 9 | R0770100 | TAPÓN DE HIBERNAJE PARA LA CÉLULA | | 17 | R0768400 | COLLARÍN INFERIOR DE TOMA DE CARGA | |
| 10 | R0768000 | TAPA CONECTORES DE CÉLULA | | 18 | R0797300 | ABRAZADERA Ø 63 | |
| 11 | R0768200 | TUERCA DE CIERRE POD | | 19 | R0769900 | LLAVE APRIETE CÉLULA | |

CODIGO **WW000064, WW000065, WW000066, WW000244, WW000245, WW000246**DESCRIPCION: EI²**OBSERVACIONES**

| POS | CODIGO | OBSERVACIONES |
|-----|------------|----------------------------------|
| 3 | * R0625600 | PARA: WW000064,WW000065,WW000066 |
| 12 | * R0673600 | PARA: WW000064,WW000244 |
| 12 | * R0673700 | PARA: WW000065,WW000245 |
| 12 | * R0759000 | PARA: WW000066, WW000246 |

CODE **WW000064, WW000065, WW000066, WW000244, WW000245, WW000246**

DESCRIPTION: EI²



FRANCAIS

| POS | CODE | DESCRIPTION | QUANTITE | POS | CODE | DESCRIPTION | QUANTITE |
|-----|------------|---|----------|-----|------------|--|----------|
| 1 | R0625400 | KIT CAPOT ET INTERFACE UTILISATEUR | | 12 | * R0673600 | ELECTRODE EI ² 12 COMPLÈTE | |
| 2 | R0609700 | KIT TRANSFORMATEUR | | 12 | * R0673700 | ELECTRODE EI ² 20 COMPLÈTE | |
| 3 | * R0625600 | PCB ALIMENTATION (+ PÂTE CALORIFIQUE) | | 12 | * R0759000 | ELECTRODE EI ² 25 COMPLÈTE | |
| 3 | R0871600 | PCB ALIMENTATION (+ PÂTE CALORIFIQUE) | | 13 | R0738500 | JOINT TORIQUE D'ÉLECTRODE | |
| 4 | R0625700 | KIT PRESSE-ÉTOUPES (X2) | | 14 | R0767900 | DEMI-COLLIER DE PRISE EN CHARGE SUP | |
| 5 | R0609800 | KIT CÂBLE CELLULE | | 15 | R0767800 | JOINT PLAT DE TUYAU UK (1½") | |
| 6 | R0625100 | KIT CÂBLE ALIMENTATION SECTEUR | | 15 | R0769700 | JOINT PLAT DE TUYAU EU (DN50 MM & DN€) | |
| 7 | W110201 | FUSIBLE M205 2,5 A T | | 16 | R0770200 | ADAPTATEUR DE TUYAU UK (1½") | |
| 8 | R0609400 | KIT VISSERIE CAPOT (9 X M4/17 & 3 X M4/€) | | 16 | R0770000 | ADAPTATEUR DE TUYAU EU (DN50 MM) | |
| 9 | R0770100 | CAPUCHON D'HIVERNAGE DE CELLULE | | 17 | R0768400 | DEMI-COLLIER DE PRISE EN CHARGE EI IN | |
| 10 | R0768000 | CAPUCHON DE CELLULE | | 18 | R0797300 | SCIE-CLOCHE 22 MM POUR PERÇAGE TUY | |
| 11 | R0768200 | BAGUE DE SERRAGE ÉLECTRODE | | 19 | R0769900 | CLÉ POUR DESSERRAGE BAGUE ÉLECTR€ | |

CODE **WW000064, WW000065, WW000066, WW000244, WW000245, WW000246**

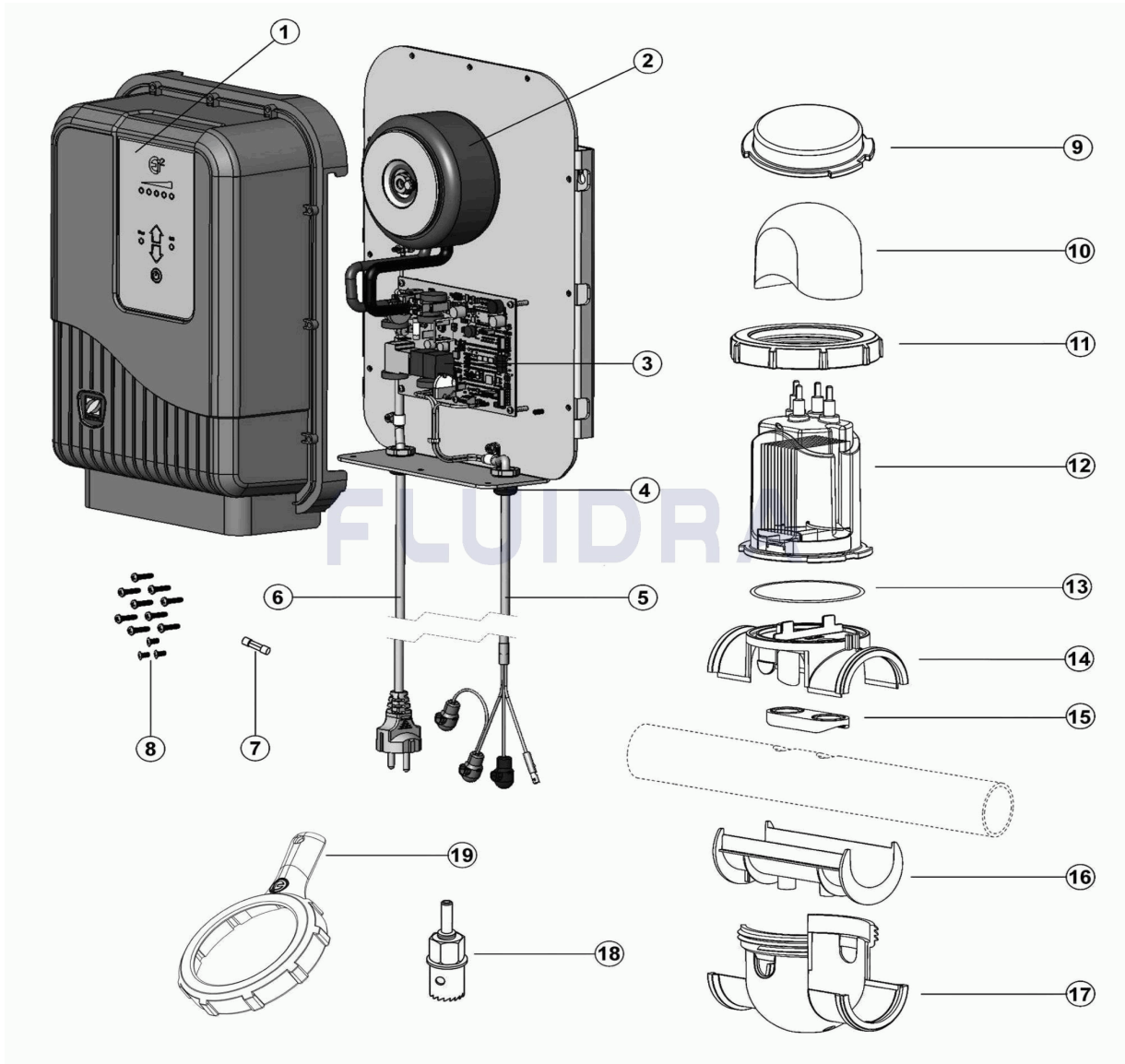
DESCRIPTION: EI²

OBSERVATIONS

| POS | CODE | OBSERVATIONS |
|-----|------------|------------------------------------|
| 3 | * R0625600 | POUR: WW000064, WW000065, WW000066 |
| 12 | * R0673600 | POUR: WW000064, WW000244 |
| 12 | * R0673700 | POUR: WW000065, WW000245 |
| 12 | * R0759000 | POUR: WW000066, WW000246 |

CODE **WW000064, WW000065, WW000066, WW000244, WW000245, WW000246**

DESCRIPTION: EI²



ENGLISH

| POS | CODE | DESCRIPTION | QUANTITY | POS | CODE | DESCRIPTION | QUANTITY |
|-----|------------|--|----------|-----|------------|---------------------------------------|----------|
| 1 | R0625400 | COVER ASSEMBLY WITH LEXAN | | 12 | * R0673600 | COMPLETE EI ² 12 ELECTRODE | |
| 2 | R0609700 | TRANSFORMER KIT | | 12 | * R0673700 | COMPLETE EI ² 20 ELECTRODE | |
| 3 | * R0625600 | POWER PCB (WITH THERMAL PASTE & SC | | 12 | * R0759000 | COMPLETE EI ² 25 ELECTRODE | |
| 3 | R0871600 | POWER PCB (WITH THERMAL PASTE & SC | | 13 | R0738500 | ELECTRODE O-RING | |
| 4 | R0625700 | CABLE GLANDS KIT (X2) | | 14 | R0767900 | SADDLE CLAMP TOP | |
| 5 | R0609800 | CELL CABLE | | 15 | R0767800 | FLAT HOSE JOINT 1 1/2" (UK) | |
| 6 | R0625100 | MAINS SUPPLY CABLE | | 15 | R0769700 | FLAT HOSE JOINT DN50 MM & DN63 MM (EI | |
| 7 | W110201 | M205 2.5 A T FUSE | | 16 | R0770200 | UK PIPE ADAPTER (1 1/2") | |
| 8 | R0609400 | COVER SCREW SET (9 X M4/17 & 3 X M4/8) | | 16 | R0770000 | EU PIPE ADAPTER (DN50 MM) | |
| 9 | R0770100 | WINTERIZING CAP FOR CELL | | 17 | R0768400 | SADDLE CLAMP BOTTOM | |
| 10 | R0768000 | CELL CAP | | 18 | R0797300 | HOLE SAW 22 MM FOR PIPE DRILLING | |
| 11 | R0768200 | ELECTRODE TIGHTENING RING | | 19 | R0769900 | LOCKING RING WRENCH (NOT INCLUDED | |

CODE **WW000064, WW000065, WW000066, WW000244, WW000245, WW000246**

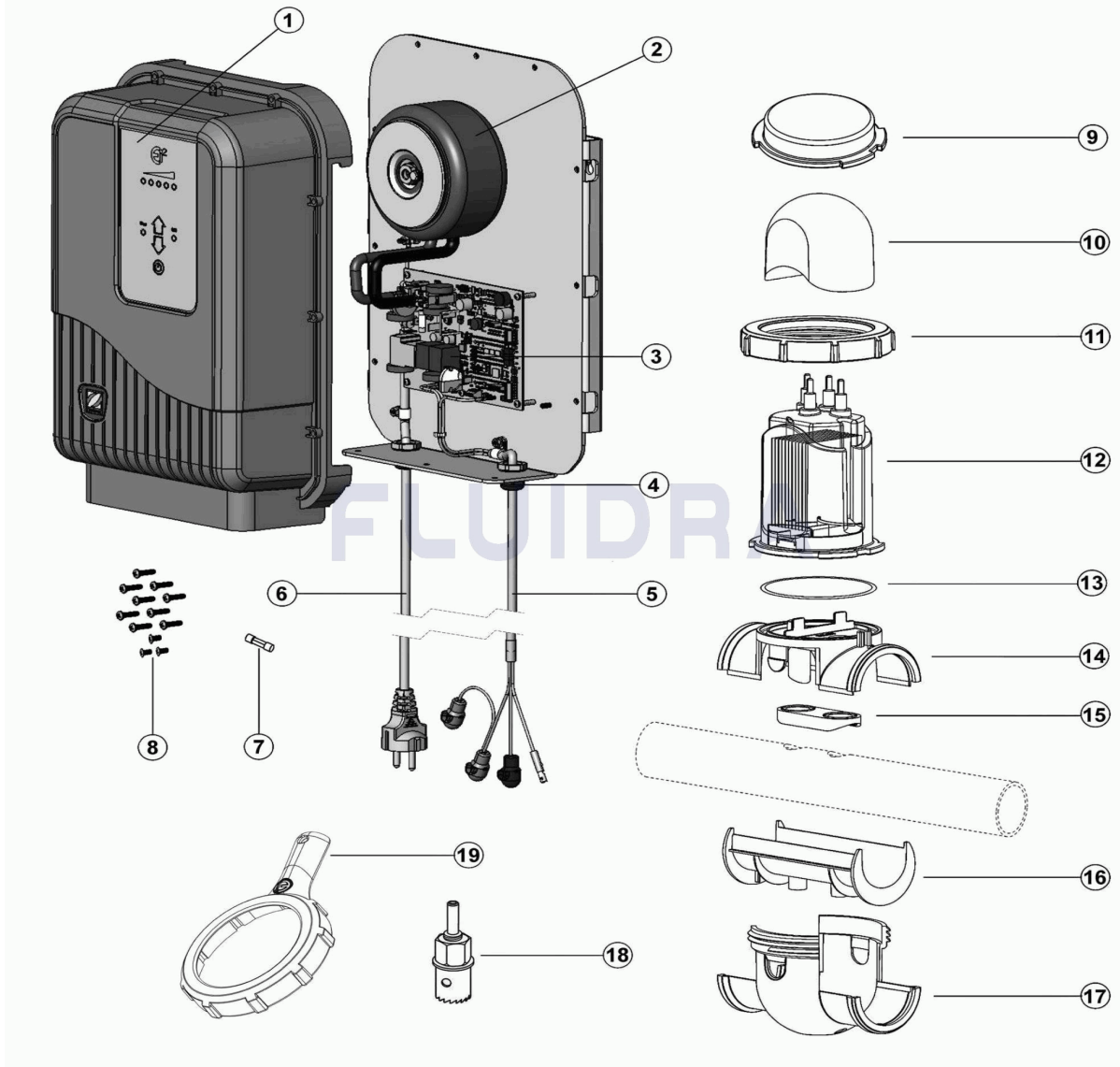
DESCRIPTION: EI²

OBSERVATIONS

| POS | CODE | OBSERVATIONS |
|-----|------------|---------------------------------|
| 3 | * R0625600 | FOR: WW000064,WW000065,WW000066 |
| 12 | * R0673600 | FOR: WW000064,WW000244 |
| 12 | * R0673700 | FOR: WW000065,WW000245 |
| 12 | * R0759000 | FOR: WW000066, WW000246 |

CODICE **WW000064, WW000065, WW000066, WW000244, WW000245, WW000246**

DESCRIZIONE: EI²



ITALIANO

| POS | CODICE | DESCRIZIONE | QUANTITA' | POS | CODICE | DESCRIZIONE | QUANTITA' |
|-----|------------|--------------------------------------|-----------|-----|------------|---------------------------------------|-----------|
| 1 | R0625400 | KIT PANNELLO E INTERFACCIA | | 12 | * R0673600 | ELETTRODO EI ² 12 COMPLETO | |
| 2 | R0609700 | KIT TRASFORMATORE | | 12 | * R0673700 | ELETTRODO EI ² 20 COMPLETO | |
| 3 | * R0625600 | PCB ALIMENTAZIONE | | 12 | * R0759000 | CELL EI 25 EU | |
| 3 | R0871600 | SCHEDA DI ALIMENTAZIONE (CON PASTA) | | 13 | R0738500 | O RING EI CELL | |
| 4 | R0625700 | KIT PRESSA CAVO EI ² (X2) | | 14 | R0767900 | CLAMP TOP POD | |
| 5 | R0609800 | KIT CAVO CELLULA | | 15 | R0767800 | EI GASKET UK | |
| 6 | R0625100 | KIT CAVO ALIMENTAZIONE SETTORE | | 15 | R0769700 | GASKET - POD EU/SA | |
| 7 | W110201 | FUSIBILE M205 2,5 A T | | 16 | R0770200 | PIPE ADAPTOR POD AU/USA | |
| 8 | R0609400 | KIT HARDWARE PANNELLO | | 16 | R0770000 | PIPE ADAPTOR POD EU/SA | |
| 9 | R0770100 | CAPPUCCIO INVERNALE CELLULA | | 17 | R0768400 | CLAMP BOTTOM POD | |
| 10 | R0768000 | CAP EI CELL | | 18 | R0797300 | 22 MM DIA ETER HOLE SAW | |
| 11 | R0768200 | LOCKING COLLAR POD | | 19 | R0769900 | LOCKING COLLAR TOOL POD | |

*** SI FACCIÀ RIFERIMENTO AL FOGLIO DELLE OSSERVAZIONI**

CODICE **WW000064, WW000065, WW000066, WW000244, WW000245, WW000246**

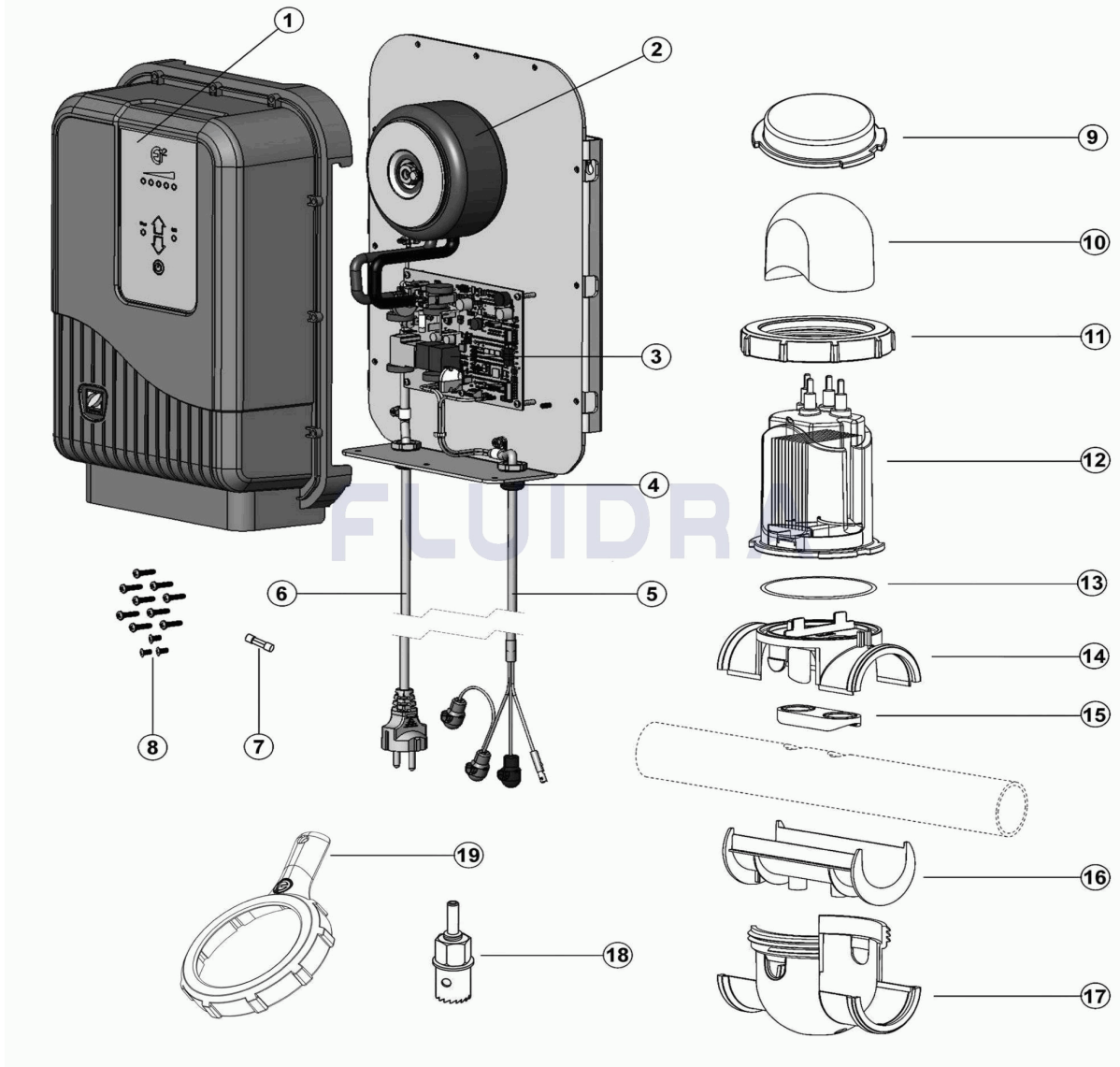
DESCRIZIONE: EI²

OSSERVAZIONI

| POS | CODICE | OSSERVAZIONI |
|-----|------------|---------------------------------|
| 3 | * R0625600 | PER: WW000064,WW000065,WW000066 |
| 12 | * R0673600 | PER: WW000064,WW000244 |
| 12 | * R0673700 | PER: WW000065,WW000245 |
| 12 | * R0759000 | PER: WW000066, WW000246 |

CODE **WW000064, WW000065, WW000066, WW000244, WW000245, WW000246**

BESCHREIBUNG: EI²



DEUTSCH

| POS | CODE | BESCHREIBUNG | MENGE | POS | CODE | BESCHREIBUNG | MENGE |
|-----|------------|-----------------------------------|-------|-----|------------|-------------------------------|-------|
| 1 | R0625400 | KIT CAPOT-INTERFACE EI² | | 12 | * R0673600 | CELL EI2 12 COMPLETE | |
| 2 | R0609700 | TRANSFORMATOR FÜR EI 2 EXPERT | | 12 | * R0673700 | ELEKTROLYSE-ZELLE EI² 20 | |
| 3 | * R0625600 | STROMVERSORGUNG PCB GENSALT OE | | 12 | * R0759000 | ELEKTROLYSE-ZELLE EI 25 | |
| 3 | R0871600 | POWER PCB (MIT WÄRMEPASTE & SCHRA | | 13 | R0738500 | O RING EI CELL | |
| 4 | R0625700 | KABELVERSCHRAUBUNG GENSALT OE | | 14 | R0767900 | OBERTEIL F. ANBOHRSCHELLE POD | |
| 5 | R0609800 | KIT CÂBLE CELLULE EI² | | 15 | R0767800 | EI GASKET UK | |
| 6 | R0625100 | KIT CÂBLE ALIMENTATION SECTEUR | | 15 | R0769700 | DICHTUNG F. ANBOHRSCHELLE | |
| 7 | W110201 | SICHERUNG 2,5 A | | 16 | R0770200 | PIPE ADAPTOR POD AU/USA | |
| 8 | R0609400 | SCHRAUBENSET GENSALT OE | | 16 | R0770000 | ROHRADAPTER F. Ø 50 MM | |
| 9 | R0770100 | SCHUTZKAPPE ÜBERWINTERUNG EI | | 17 | R0768400 | UNTERTEIL F. ANBOHRSCHELLE | |
| 10 | R0768000 | CAP EI CELL | | 18 | R0797300 | KRONENBOHRER DM 22 MM | |
| 11 | R0768200 | ÜBERWURFMUTTER F. ELEKTRODE | | 19 | R0769900 | RINGSCHLÜSSEL FÜR EI-ZELLE | |

CODE **WW000064, WW000065, WW000066, WW000244, WW000245, WW000246**

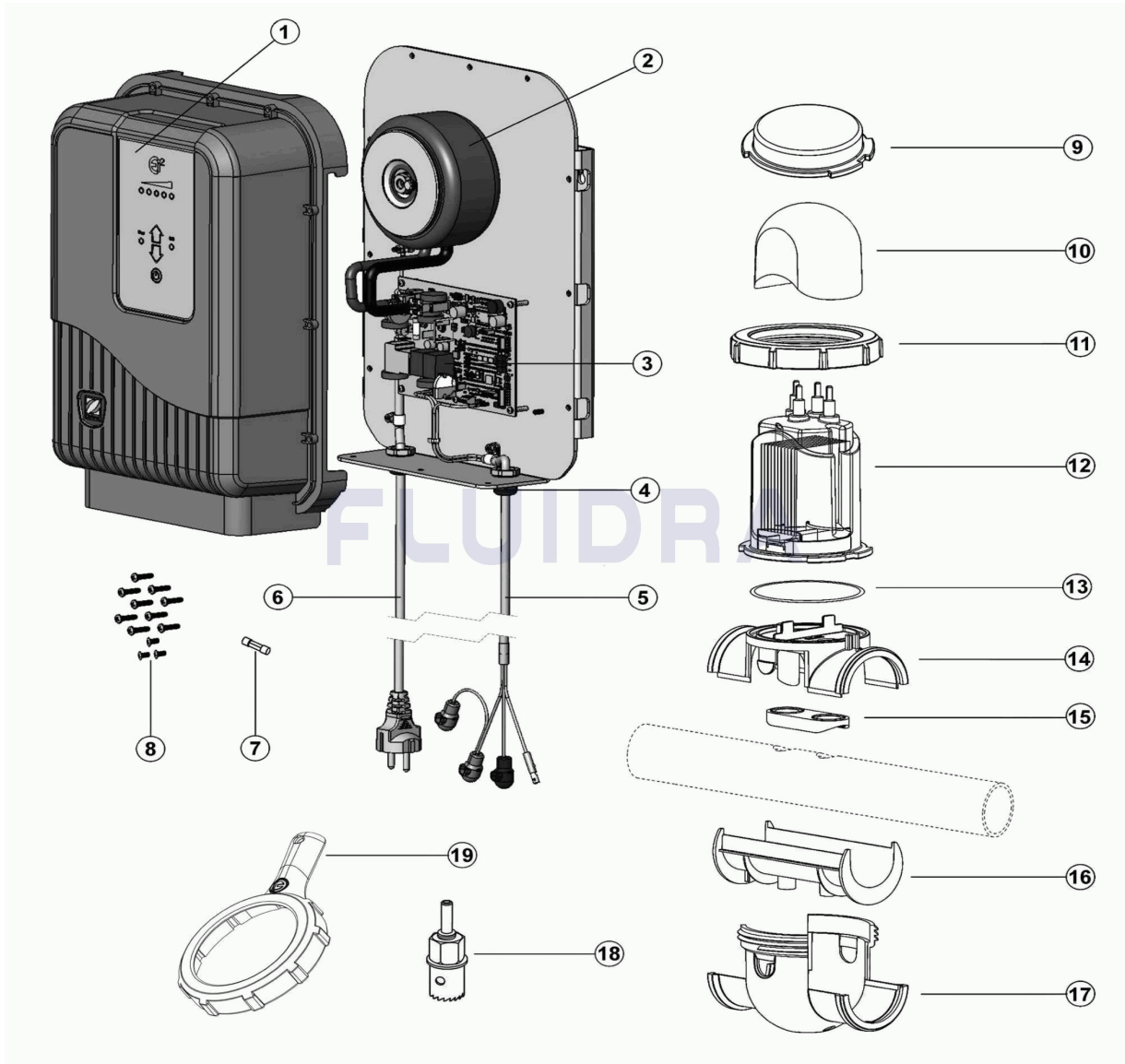
BESCHREIBUNG: EI²

HINWEISE

| POS | CODE | HINWEISE |
|-----|------------|-----------------------------------|
| 3 | * R0625600 | FÜR: WW000064, WW000065, WW000066 |
| 12 | * R0673600 | FÜR: WW000064, WW000244 |
| 12 | * R0673700 | FÜR: WW000065, WW000245 |
| 12 | * R0759000 | FÜR: WW000066, WW000246 |

CODIGO **WW000064, WW000065, WW000066, WW000244, WW000245, WW000246**

DESCRIÇÃO: EI²



PORTUGUES

| POS | CODIGO | DESCRIÇÃO | JANTIDADE | POS | CODIGO | DESCRIÇÃO | JANTIDADE |
|-----|------------|---|-----------|-----|------------|-------------------------------|-----------|
| 1 | R0625400 | KIT CARÇAÇA + INTERFACE EI ² | | 12 | * R0673600 | CELULA EI2 12 | |
| 2 | R0609700 | KIT TRANSFORMADOR | | 12 | * R0673700 | CELULA EI ² 20 | |
| 3 | * R0625600 | KIT PLACA ALIMENTAÇÃO EI ² | | 12 | * R0759000 | CELULA EI2 25 | |
| 3 | R0871600 | PCB DE POTÊNCIA (COM PASTA TÉRMICA | | 13 | R0738500 | O-RING CELULA EI | |
| 4 | R0625700 | KIT RESSE-ÉTOUPES EI ² | | 14 | R0767900 | TAMPA TOPO POD | |
| 5 | R0609800 | KIT CABO CELULA EI2 | | 15 | R0767800 | JUNTA DE TUBO UK 1 ½" | |
| 6 | R0625100 | KIT CÂBLE ALIMENTATION SECTEUR | | 15 | R0769700 | JUNTA TUBO Ø 50/63(EU/SA) | |
| 7 | W110201 | FUSÍVEL M205 AT | | 16 | R0770200 | SUPLEMTO ADAPTADOR TUBO 1½ UK | |
| 8 | R0609400 | KIT PARAFUSOS (12) | | 16 | R0770000 | ADAPTADOR TUBO EI EU/SA | |
| 9 | R0770100 | TAMPA DE PROTECÇÃO CÉLULA EI | | 17 | R0768400 | ANEL INFERIOR EI | |
| 10 | R0768000 | TAMPA CONECTORES DE CÉLULA | | 18 | R0797300 | 22 MM DIA ETER HOLE SAW | |
| 11 | R0768200 | EI/TRI PORCA FIXAÇÃO CÉLULA | | 19 | R0769900 | CHAVE FIXAÇÃO EI | |

CODIGO **WW000064, WW000065, WW000066, WW000244, WW000245, WW000246**DESCRIÇÃO: EI²**OBSERVAÇÕES**

| POS | CODIGO | OBSERVAÇÕES |
|-----|------------|----------------------------------|
| 3 | * R0625600 | PARA: WW000064,WW000065,WW000066 |
| 12 | * R0673600 | PARA: WW000064,WW000244 |
| 12 | * R0673700 | PARA: WW000065,WW000245 |
| 12 | * R0759000 | PARA: WW000066, WW000246 |