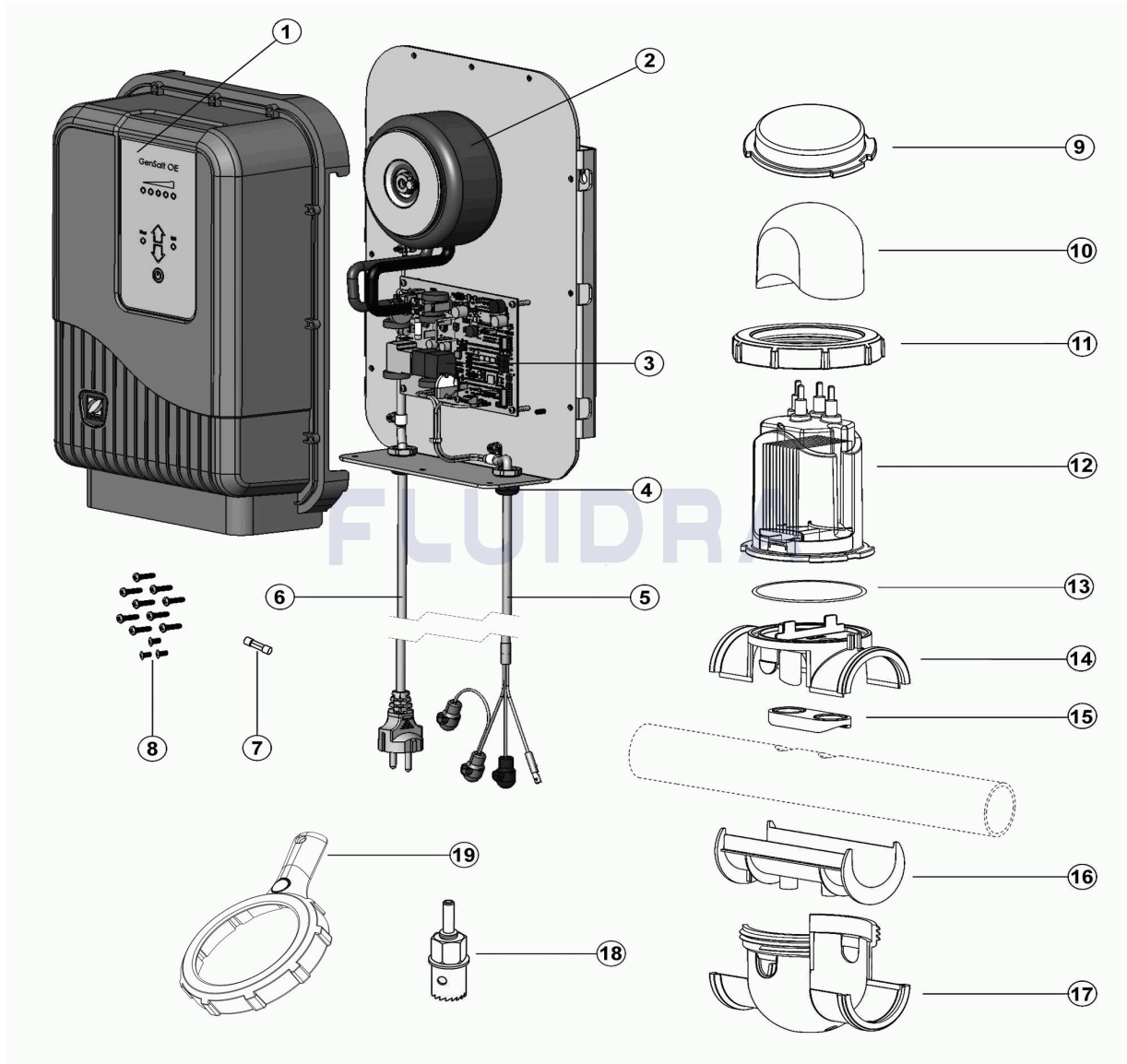


CODIGO **WW000094, WW000095, WW000096, WW000247, WW000248, WW000249**

DESCRIPCION: **GENSALT OE**



ESPAÑOL

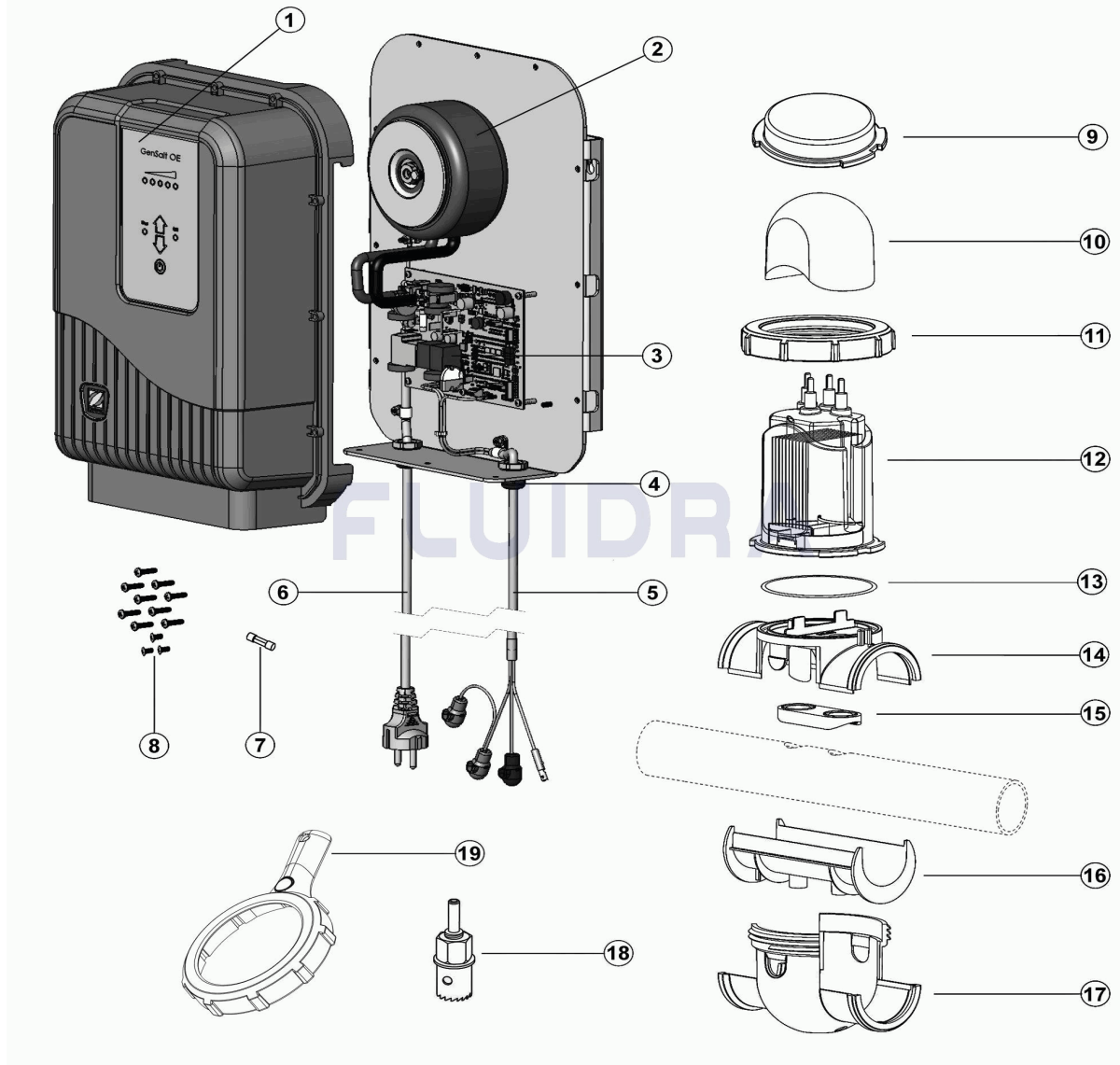
POS	CODIGO	DESCRIPCION	CANTIDAD	POS	CODIGO	DESCRIPCION	CANTIDAD
1	R0774700	KIT DE CUBIERTA E INTERFAZ DE USUARIO		12	* R0758800	ELECTRODO GENSALT OE 10	
2	R0609700	KIT TRANSFORMADOR		12	* R0758900	ELECTRODO GENSALT OE 17	
3	* R0625600	PCB ALIMENTACIÓN (+ PASTA TÉRMICA & ...)		12	* R0759000	ELECTRODO EI² 25	
3	R0871600	PCB ALIMENTACIÓN (+ PASTA TÉRMICA & ...)		13	R0738500	JUNTA TÓRICA DEL POD	
4	R0625700	KIT PRENSA - ESTOPAS (2 UN.)		14	R0767900	COLLARÍN SUPERIOR DE TOMA DE CARGA	
5	R0609800	KIT CABLE CÉLULA		15	R0767800	JUNTA DE TUBO 1 ½"	
6	R0625100	KIT CABLE ALIMENTACIÓN 230V		15	R0769700	ADAPTADOR DE TUBO EU Ø 50 O 63 MM	
7	W110201	FUSIBLE M205 2,5 A T		16	R0770200	SUPLEMENTO ADAPTADOR DE TUBO 1 ½"	
8	R0609400	KIT TORNILLERÍA TAPA (9 X M4/17 & 3 X M4)		16	R0770000	ADAPTADOR PARA TUBO Ø50 MM (EU)	
9	R0770100	TAPÓN DE HIBERNAJE PARA LA CÉLULA		17	R0768400	COLLARÍN INFERIOR DE TOMA DE CARGA	
10	R0768000	TAPA CONECTORES DE CÉLULA		18	R0797300	ABRAZADERA Ø 63	
11	R0768200	TUERCA DE CIERRE POD		19	R0769900	LLAVE APRIETE CÉLULA	

CODIGO **WW000094, WW000095, WW000096, WW000247, WW000248, WW000249**DESCRIPCION: **GENSALT OE****OBSERVACIONES**

POS	CODIGO	OBSERVACIONES
3	* R0625600	PARA: WW000094,WW000095,WW000096
12	* R0758800	PARA: WW000094,WW000247
12	* R0758900	PARA: WW000095,WW000248
12	* R0759000	PARA: WW000096,WW000249

CODE **WW000094, WW000095, WW000096, WW000247, WW000248, WW000249**

DESCRIPTION: **GENSALT OE**



FRANCAIS

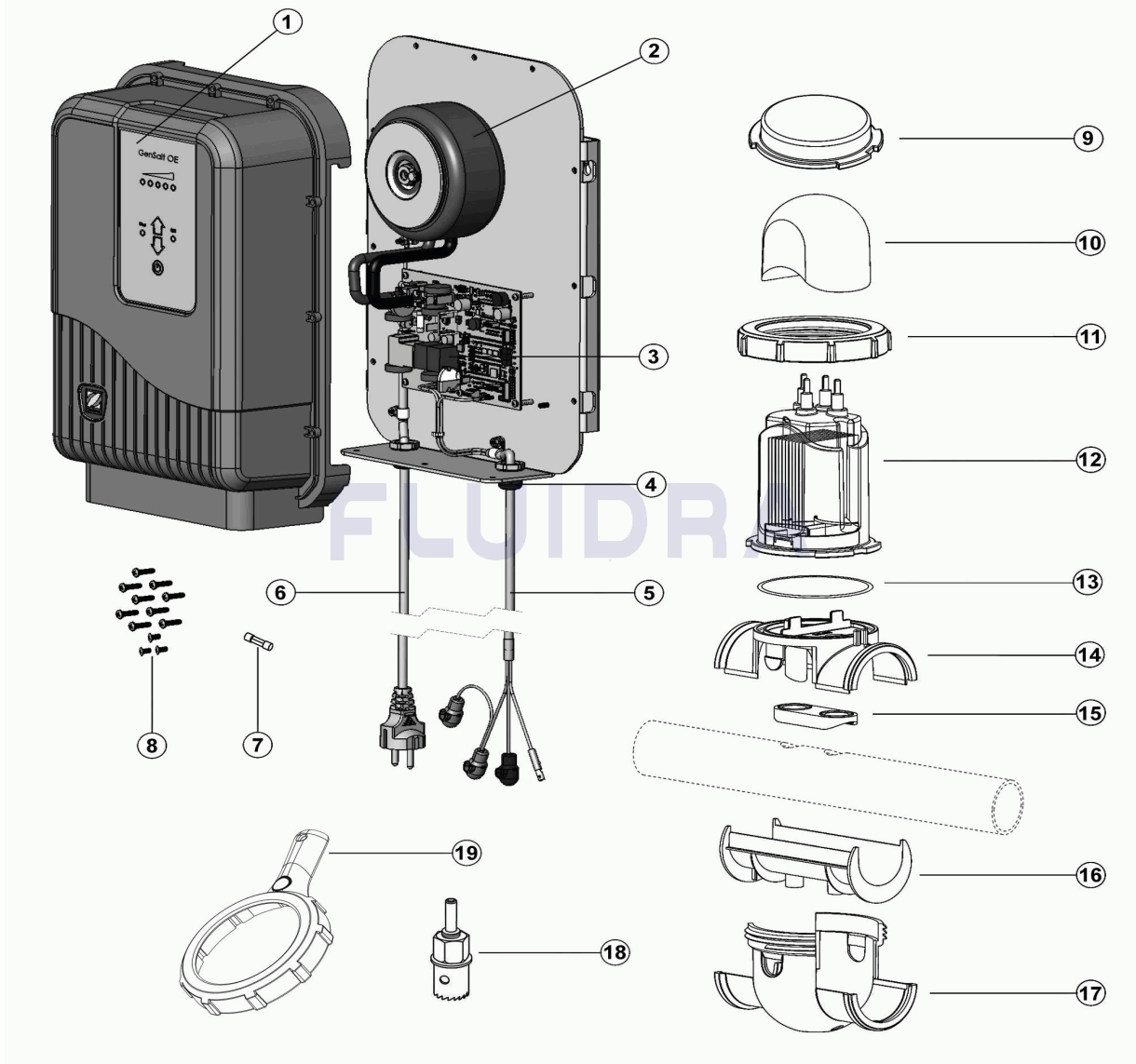
POS	CODE	DESCRIPTION	QUANTITE	POS	CODE	DESCRIPTION	QUANTITE
1	R0774700	KIT CAPOT ET INTERFACE UTILISATEUR		12	* R0758800	ELECTRODE GENSALT OE 10 COMPLÈTE	
2	R0609700	KIT TRANSFORMATEUR		12	* R0758900	ELECTRODE GENSALT OE 17 COMPLÈTE	
3	* R0625600	PCB ALIMENTATION (+ PÂTE CALORIFIQUE)		12	* R0759000	ELECTRODE EI ² 25 COMPLÈTE	
3	R0871600	PCB ALIMENTATION (+ PÂTE CALORIFIQUE)		13	R0738500	JOINT TORIQUE D'ÉLECTRODE	
4	R0625700	KIT PRESSE-ÉTOUPES (X2)		14	R0767900	DEMI-COLLIER DE PRISE EN CHARGE SUP	
5	R0609800	KIT CÂBLE CELLULE		15	R0767800	JOINT PLAT DE TUYAU UK (1½")	
6	R0625100	KIT CÂBLE ALIMENTATION SECTEUR		15	R0769700	JOINT PLAT DE TUYAU EU (DN50 MM & DN€)	
7	W110201	FUSIBLE M205 2,5 A T		16	R0770200	ADAPTATEUR DE TUYAU UK (1½")	
8	R0609400	KIT VISSERIE CAPOT (9 X M4/17 & 3 X M4/€)		16	R0770000	ADAPTATEUR DE TUYAU EU (DN50 MM)	
9	R0770100	CAPUCHON D'HIVERNAGE DE CELLULE		17	R0768400	DEMI-COLLIER DE PRISE EN CHARGE EI IN	
10	R0768000	CAPUCHON DE CELLULE		18	R0797300	SCIE-CLOCHE 22 MM POUR PERÇAGE TUY	
11	R0768200	BAGUE DE SERRAGE ÉLECTRODE		19	R0769900	CLÉ POUR DESSERRAGE BAGUE ÉLECTR€	

CODE **WW000094, WW000095, WW000096, WW000247, WW000248, WW000249**DESCRIPTION: **GENSALT OE****OBSERVATIONS**

POS	CODE	OBSERVATIONS
3	* R0625600	POUR: WW000094,WW000095,WW000096
12	* R0758800	POUR: WW000094,WW000247
12	* R0758900	POUR: WW000095,WW000248
12	* R0759000	POUR: WW000096,WW000249

CODE **WW000094, WW000095, WW000096, WW000247, WW000248, WW000249**

DESCRIPTION: **GENSALT OE**



ENGLISH

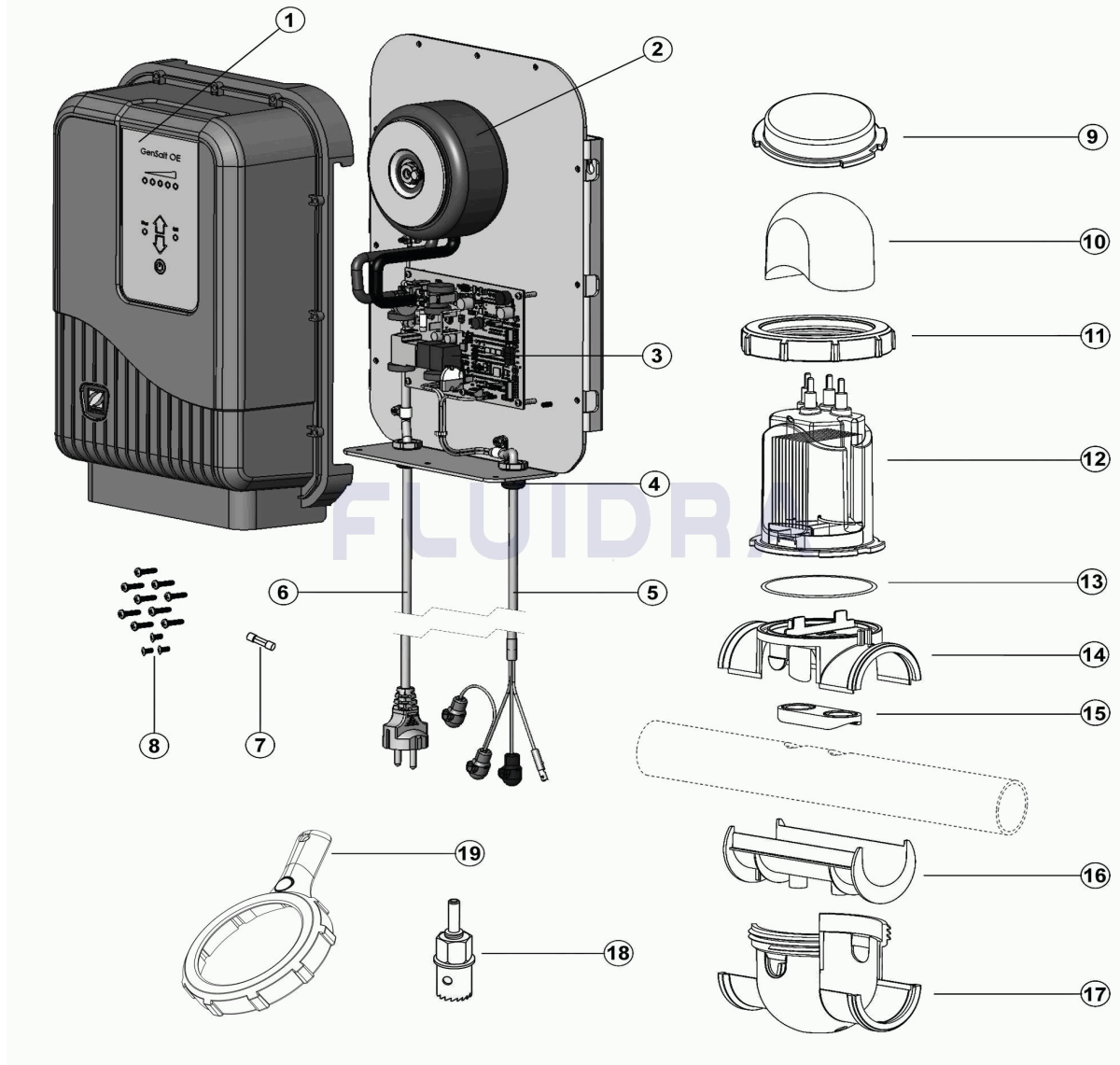
POS	CODE	DESCRIPTION	QUANTITY	POS	CODE	DESCRIPTION	QUANTITY
1	R0774700	COVER ASSEMBLY WITH LEXAN		12	* R0758800	COMPLETE GENSALT OE 10 ELECTRODE	
2	R0609700	TRANSFORMER KIT		12	* R0758900	COMPLETE GENSALT OE 17 ELECTRODE	
3	* R0625600	POWER PCB (WITH THERMAL PASTE & SC		12	* R0759000	COMPLETE EI ² 25 ELECTRODE	
3	R0871600	POWER PCB (WITH THERMAL PASTE & SC		13	R0738500	ELECTRODE O-RING	
4	R0625700	CABLE GLANDS KIT (X2)		14	R0767900	SADDLE CLAMP TOP	
5	R0609800	CELL CABLE		15	R0767800	FLAT HOSE JOINT 1 1/2" (UK)	
6	R0625100	MAINS SUPPLY CABLE		15	R0769700	FLAT HOSE JOINT DN50 MM & DN63 MM (EI	
7	W110201	M205 2.5 A T FUSE		16	R0770200	UK PIPE ADAPTER (1 1/2")	
8	R0609400	COVER SCREW SET (9 X M4/17 & 3 X M4/8)		16	R0770000	EU PIPE ADAPTER (DN50 MM)	
9	R0770100	WINTERIZING CAP FOR CELL		17	R0768400	SADDLE CLAMP BOTTOM	
10	R0768000	CELL CAP		18	R0797300	HOLE SAW 22 MM FOR PIPE DRILLING	
11	R0768200	ELECTRODE TIGHTENING RING		19	R0769900	LOCKING RING WRENCH (NOT INCLUDED	

CODE **WW000094, WW000095, WW000096, WW000247, WW000248, WW000249**DESCRIPTION: **GENSALT OE****OBSERVATIONS**

POS	CODE	OBSERVATIONS
3	* R0625600	FOR: WW000094,WW000095,WW000096
12	* R0758800	FOR: WW000094,WW000247
12	* R0758900	FOR: WW000095,WW000248
12	* R0759000	FOR: WW000096,WW000249

CODICE **WW000094, WW000095, WW000096, WW000247, WW000248, WW000249**

DESCRIZIONE: **GENSALT OE**



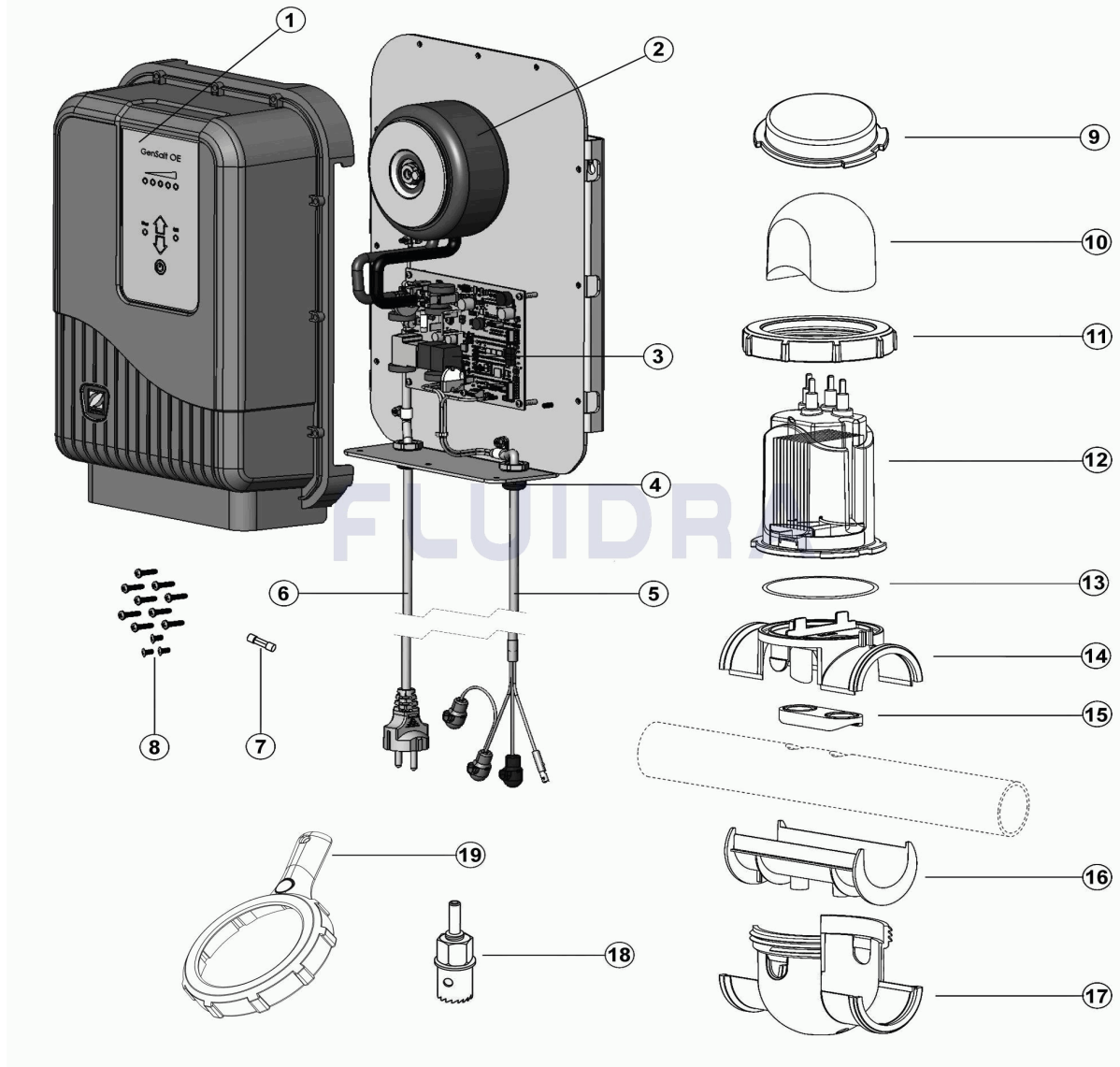
ITALIANO

POS	CODICE	DESCRIZIONE	QUANTITA'	POS	CODICE	DESCRIZIONE	QUANTITA'
1	R0774700	KIT CAPOT-INTERFACE GENSALT OE		12	* R0758800	CELL EI 10 EU	
2	R0609700	KIT TRASFORMATORE		12	* R0758900	CELL EI 17 EU	
3	* R0625600	PCB ALIMENTAZIONE		12	* R0759000	CELL EI 25 EU	
3	R0871600	SCHEDA DI ALIMENTAZIONE (CON PASTA)		13	R0738500	O RING EI CELL	
4	R0625700	KIT PRESSA CAVO EI² (X2)		14	R0767900	CLAMP TOP POD	
5	R0609800	KIT CAVO CELLULA		15	R0767800	EI GASKET UK	
6	R0625100	KIT CAVO ALIMENTAZIONE SETTORE		15	R0769700	GASKET - POD EU/SA	
7	W110201	FUSIBILE M205 2,5 A T		16	R0770200	PIPE ADAPTOR POD AU/USA	
8	R0609400	KIT HARDWARE PANNELLO		16	R0770000	PIPE ADAPTOR POD EU/SA	
9	R0770100	CAPPUCCIO INVERNALE CELLULA		17	R0768400	CLAMP BOTTOM POD	
10	R0768000	CAP EI CELL		18	R0797300	22 MM DIA ETER HOLE SAW	
11	R0768200	LOCKING COLLAR POD		19	R0769900	LOCKING COLLAR TOOL POD	

CODICE **WW000094, WW000095, WW000096, WW000247, WW000248, WW000249**DESCRIZIONE: **GENSALT OE****OSSERVAZIONI**

POS	CODICE	OSSERVAZIONI
3	* R0625600	PER: WW000094,WW000095,WW000096
12	* R0758800	PER: WW000094,WW000247
12	* R0758900	PER: WW000095,WW000248
12	* R0759000	PER: WW000096,WW000249

CODE **WW000094, WW000095, WW000096, WW000247, WW000248, WW000249**

 BESCHREIBUNG: **GENSALT OE**

DEUTSCH

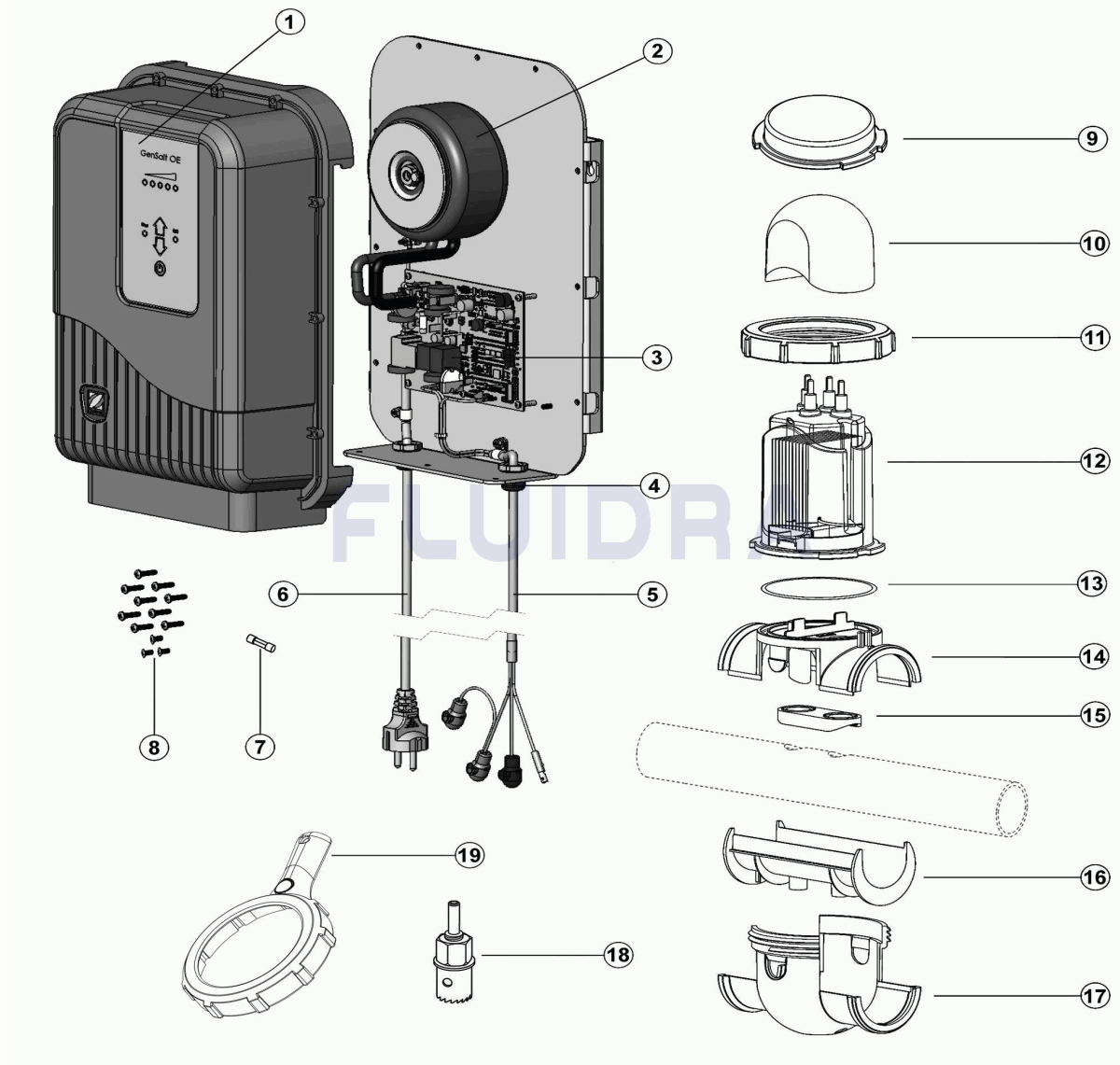
POS	CODE	BESCHREIBUNG	MENGE	POS	CODE	BESCHREIBUNG	MENGE
1	R0774700	GEHÄUSE GENSALT OE		12	* R0758800	ELEKTROLYSE-ZELLE EI 10	
2	R0609700	TRANSFORMATOR FÜR EI 2 EXPERT		12	* R0758900	ELEKTROLYSE-ZELLE EI 18	
3	* R0625600	STROMVERSORGUNG PCB GENSALT OE		12	* R0759000	ELEKTROLYSE-ZELLE EI 25	
3	R0871600	POWER PCB (MIT WÄRMEPASTE & SCHRA)		13	R0738500	O RING EI CELL	
4	R0625700	KABELVERSCHRAUBUNG GENSALT OE		14	R0767900	OBERTEIL F. ANBOHRSCHELLE POD	
5	R0609800	KIT CÂBLE CELLULE EI²		15	R0767800	EI GASKET UK	
6	R0625100	KIT CÂBLE ALIMENTATION SECTEUR		15	R0769700	DICHTUNG F. ANBOHRSCHELLE	
7	W110201	SICHERUNG 2,5 A		16	R0770200	PIPE ADAPTOR POD AU/USA	
8	R0609400	SCHRAUBENSET GENSALT OE		16	R0770000	ROHRADAPTER F. Ø 50 MM	
9	R0770100	SCHUTZKAPPE ÜBERWINTERUNG EI		17	R0768400	UNTERTEIL F. ANBOHRSCHELLE	
10	R0768000	CAP EI CELL		18	R0797300	KRONENBOHRER DM 22 MM	
11	R0768200	ÜBERWURFMUTTER F. ELEKTRODE		19	R0769900	RINGSCHLÜSSEL FÜR EI-ZELLE	

CODE **WW000094, WW000095, WW000096, WW000247, WW000248, WW000249**BESCHREIBUNG: **GENSALT OE****HINWEISE**

POS	CODE	HINWEISE
3	* R0625600	FÜR: WW000094,WW000095,WW000096
12	* R0758800	FÜR: WW000094,WW000247
12	* R0758900	FÜR: WW000095,WW000248
12	* R0759000	FÜR: WW000096,WW000249

CODIGO **WW000094, WW000095, WW000096, WW000247, WW000248, WW000249**

DESCRIÇÃO: **GENSALT OE**



PORTUGUES

POS	CODIGO	DESCRIÇÃO	JANTIDADE	POS	CODIGO	DESCRIÇÃO	JANTIDADE
1	R0774700	KIT CAPOT-INTERFACE GENSALT OE		12	* R0758800	CELULA EI 10 EU	
2	R0609700	KIT TRANSFORMADOR		12	* R0758900	CELULA EI 17	
3	* R0625600	KIT PLACA ALIMENTAÇÃO EI ²		12	* R0759000	CELULA EI2 25	
3	R0871600	PCB DE POTÊNCIA (COM PASTA TÉRMICA		13	R0738500	O-RING CELULA EI	
4	R0625700	KIT RESSE-ÉTOUPES EI ²		14	R0767900	TAMPA TOPO POD	
5	R0609800	KIT CABO CELULA EI2		15	R0767800	JUNTA DE TUBO UK 1 ½"	
6	R0625100	KIT CÂBLE ALIMENTATION SECTEUR		15	R0769700	JUNTA TUBO Ø 50/63(EU/SA)	
7	W110201	FUSÍVEL M205 AT		16	R0770200	SUPLEMTO ADAPTADOR TUBO 1½ UK	
8	R0609400	KIT PARAFUSOS (12)		16	R0770000	ADAPTADOR TUBO EI EU/SA	
9	R0770100	TAMPA DE PROTECÇÃO CÉLULA EI		17	R0768400	ANEL INFERIOR EI	
10	R0768000	TAMPA CONECTORES DE CÉLULA		18	R0797300	22 MM DIA ETER HOLE SAW	
11	R0768200	EI/TRI PORCA FIXAÇÃO CÉLULA		19	R0769900	CHAVE FIXAÇÃO EI	

CODIGO **WW000094, WW000095, WW000096, WW000247, WW000248, WW000249**DESCRIÇÃO: **GENSALT OE****OBSERVAÇÕES**

POS	CODIGO	OBSERVAÇÕES
3	* R0625600	PARA: WW000094,WW000095,WW000096
12	* R0758800	PARA: WW000094,WW000247
12	* R0758900	PARA: WW000095,WW000248
12	* R0759000	PARA: WW000096,WW000249