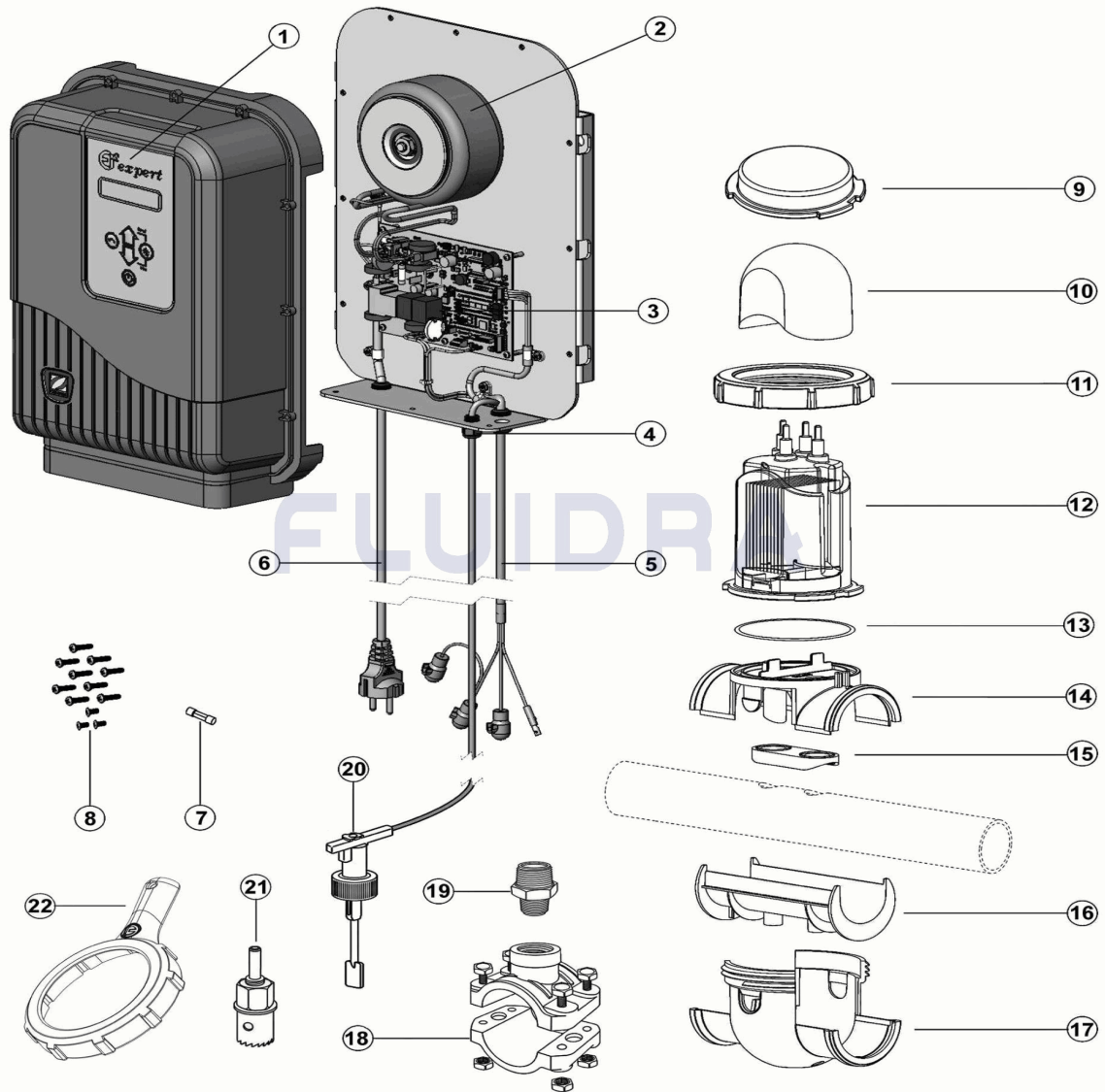


CODIGO **WW000061, WW000062, WW000063**

 DESCRIPCION: **EI² EXPERT**


ESPAÑOL

POS	CODIGO	DESCRIPCION	CANTIDAD	POS	CODIGO	DESCRIPCION	CANTIDAD
1	R0664000	KIT CAPOT Y INTERFAZ DE USUARIO		13	R0738500	JUNTA TÓRICA DEL POD	
2	R0609700	KIT TRANSFORMADOR		14	R0767900	COLLARÍN SUPERIOR DE TOMA DE CARGA	
3	R0664100	PCB ALIMENTACIÓN		15	R0767800	JUNTA DE TUBO 1 ½"	
4	R0664300	KIT PRENSA - ESTOPAS (4 UN.)		15	R0769700	ADAPTADOR DE TUBO EU Ø 50 O 63 MM	
5	R0664200	KIT CABLE CÉLULA		16	R0770200	SUPLEMENTO ADAPTADOR DE TUBO 1 ½"	
6	R0625100	KIT CABLE ALIMENTACIÓN 230V		16	R0770000	ADAPTADOR PARA TUBO Ø50 MM (EU)	
7	W110201	FUSIBLE M205 2,5 A T		17	R0768400	COLLARÍN INFERIOR DE TOMA DE CARGA	
8	R0609400	KIT TORNILLERÍA TAPA (9 X M4/17 & 3 X M4)		18	W013010	ABRAZADERA DM 50 M COMPLETO (ADAP1)	
9	R0770100	TAPÓN DE HIBERNAJE PARA LA CÉLULA		18	W013011	ABRAZADERA DM 63 M COMPLETO (ADAP1)	
10	R0768000	TAPA CONECTORES DE CÉLULA		19	R0797200	ADAPTADOR 1/2" - 3/4" PARA DETECTOR D	
11	R0768200	TUERCA DE CIERRE POD		20	R0773400	DETECTOR DE CAUDAL EI² EXPERT	
12	* R0758800	ELECTRODO GENSALT OE 10		21	R0797300	ABRAZADERA Ø 63	
12	* R0758900	ELECTRODO GENSALT OE 17		22	R0769900	LLAVE APRIETE CÉLULA	

* NOTA OBSERVACIONES

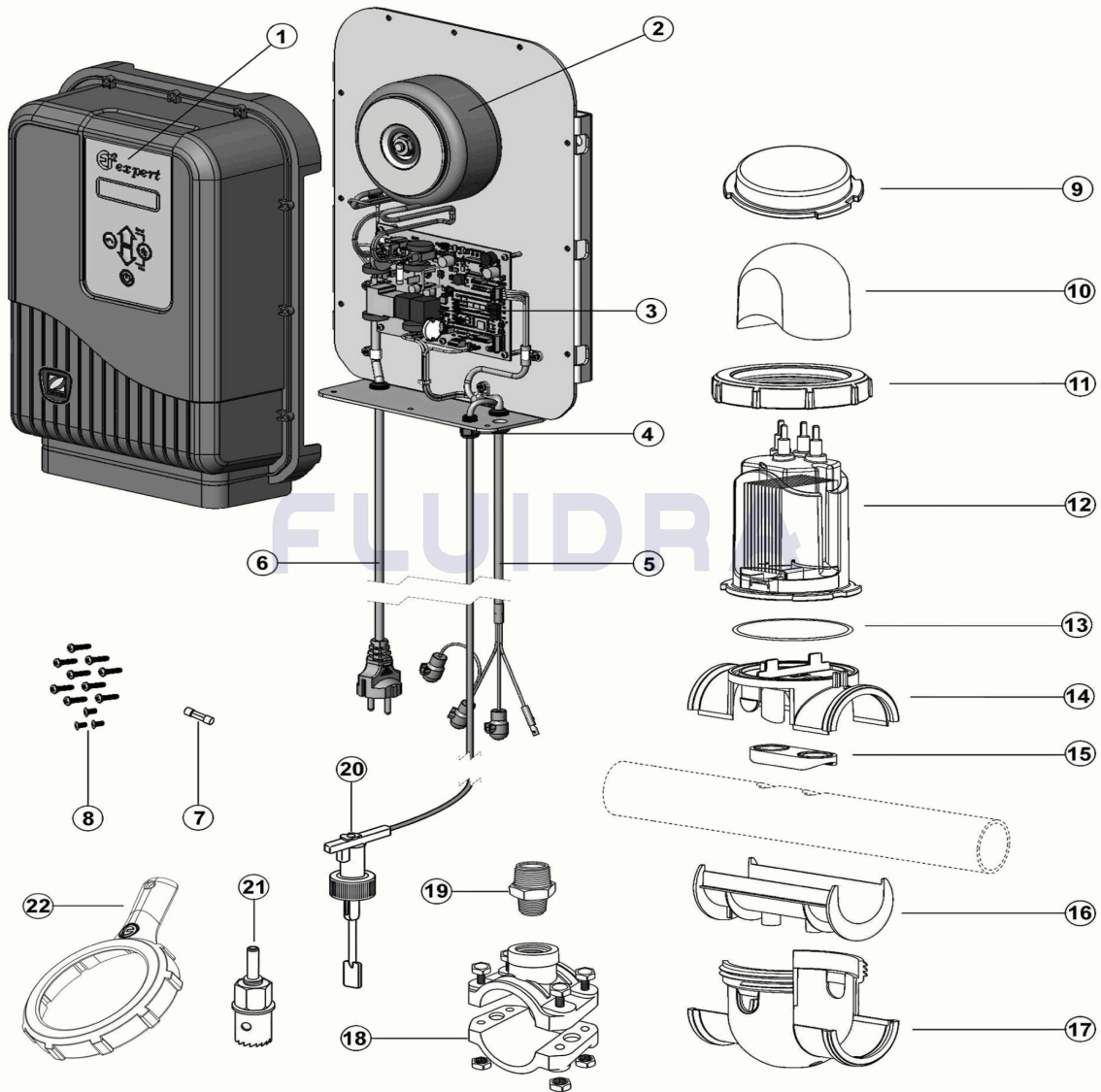
CODIGO **WW000061,WW000062,WW000063**DESCRIPCION: **EI² EXPERT**

12	* R0759000	ELECTRODO EI² 25			
----	------------	------------------	--	--	--

CODIGO **WW000061,WW000062,WW000063**DESCRIPCION: **EI² EXPERT****OBSERVACIONES**

POS	CODIGO	OBSERVACIONES
12	* R0758800	PARA: WW000061
12	* R0758900	PARA: WW000062
12	* R0759000	PARA: WW000063

CODE **WW000061, WW000062, WW000063**

 DESCRIPTION: **EI² EXPERT**


FRANCAIS

POS	CODE	DESCRIPTION	QUANTITE	POS	CODE	DESCRIPTION	QUANTITE
1	R0664000	KIT CAPOT ET INTERFACE UTILISATEUR (+)		13	R0738500	JOINT TORIQUE D'ÉLECTRODE	
2	R0609700	KIT TRANSFORMATEUR		14	R0767900	DEMI-COLIER DE PRISE EN CHARGE SUP	
3	R0664100	PCB ALIMENTATION (+ PÂTE CALORIFIQUE)		15	R0767800	JOINT PLAT DE TUYAU UK (1½")	
4	R0664300	KIT PRESSE-ÉTOUPES (X4)		15	R0769700	JOINT PLAT DE TUYAU EU (DN50 MM & DN63)	
5	R0664200	KIT CÂBLE CELLULE		16	R0770200	ADAPTATEUR DE TUYAU UK (1½")	
6	R0625100	KIT CÂBLE ALIMENTATION SECTEUR		16	R0770000	ADAPTATEUR DE TUYAU EU (DN50 MM)	
7	W110201	FUSIBLE M205 2,5 A T		17	R0768400	DEMI-COLIER DE PRISE EN CHARGE EI IN	
8	R0609400	KIT VISSERIE CAPOT (9 X M4/17 & 3 X M4/6)		18	W013010	COLLIER DE PRISE EN CHARGE DN50 MM	
9	R0770100	CAPUCHON D'HIVERNAGE DE CELLULE		18	W013011	COLLIER DE PRISE EN CHARGE DN63 MM	
10	R0768000	CAPUCHON DE CELLULE		19	R0797200	ADAPTATEUR 1/2" - 3/4" POUR DÉTECTEUR	
11	R0768200	BAGUE DE SERRAGE ÉLECTRODE		20	R0773400	DÉTECTEUR DE DÉBIT EI ² EXPERT	
12	* R0758800	ELECTRODE GENSALT OE 10 COMPLÈTE		21	R0797300	SCIE-CLOCHE 22 MM POUR PERÇAGE TUYAU	
12	* R0758900	ELECTRODE GENSALT OE 17 COMPLÈTE		22	R0769900	CLÉ POUR DESSERRAGE BAGUE ÉLECTRIQUE	

CODE **WW000061,WW000062,WW000063**DESCRIPTION: **EI² EXPERT**

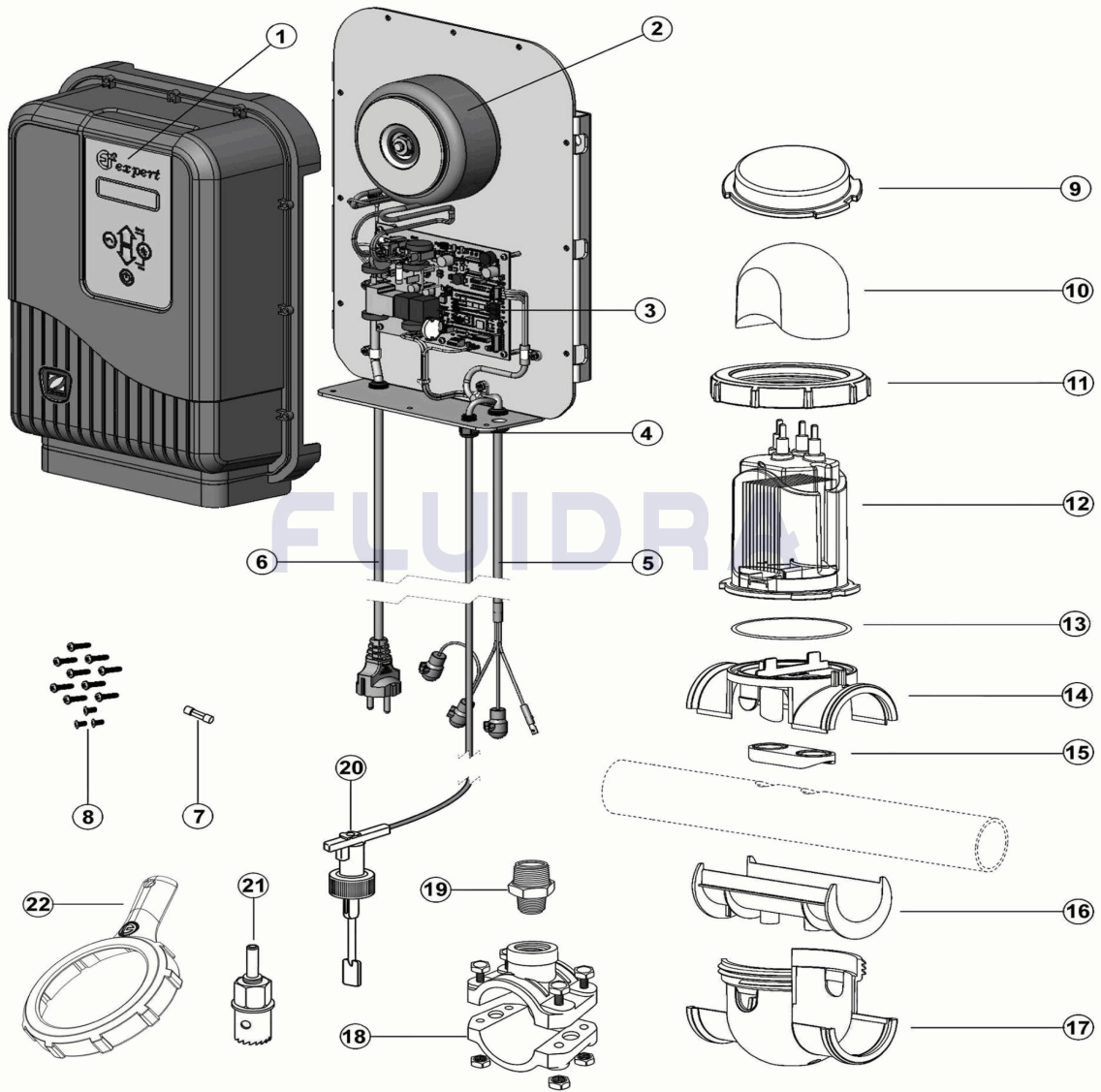
12	* R0759000	ELECTRODE EI² 25 COMPLÈTE			
----	------------	---------------------------	--	--	--

CODE **WW000061,WW000062,WW000063**DESCRIPTION: **EI² EXPERT****OBSERVATIONS**

POS	CODE	OBSERVATIONS
12	* R0758800	POUR: WW000061
12	* R0758900	POUR: WW000062
12	* R0759000	POUR: WW000063

CODE **WW000061, WW000062, WW000063**

DESCRIPTION: **EI² EXPERT**



ENGLISH

POS	CODE	DESCRIPTION	QUANTITY	POS	CODE	DESCRIPTION	QUANTITY
1	R0664000	COVER ASSEMBLY WITH LEXAN & CONTR		13	R0738500	ELECTRODE O-RING	
2	R0609700	TRANSFORMER KIT		14	R0767900	SADDLE CLAMP TOP	
3	R0664100	POWER PCB (WITH THERMAL PASTE & SC		15	R0767800	FLAT HOSE JOINT 1 1/2" (UK)	
4	R0664300	CABLE GLANDS KIT (X4)		15	R0769700	FLAT HOSE JOINT DN50 MM & DN63 MM (EI	
5	R0664200	CELL CABLE		16	R0770200	UK PIPE ADAPTER (1 1/2")	
6	R0625100	MAINS SUPPLY CABLE		16	R0770000	EU PIPE ADAPTER (DN50 MM)	
7	W110201	M205 2.5 A T FUSE		17	R0768400	SADDLE CLAMP BOTTOM	
8	R0609400	COVER SCREW SET (9 X M4/17 & 3 X M4/8)		18	W013010	COMPLETE DN50 MM SADDLE CLAMP (AD/	
9	R0770100	WINTERIZING CAP FOR CELL		18	W013011	COMPLETE DN63 MM SADDLE CLAMP (AD/	
10	R0768000	CELL CAP		19	R0797200	3/4"X1/2" ADAPTER FOR FLOW SWITCH	
11	R0768200	ELECTRODE TIGHTENING RING		20	R0773400	EI ² EXPERT FLOW SWITCH	
12	* R0758800	COMPLETE GENSALT OE 10 ELECTRODE		21	R0797300	HOLE SAW 22 MM FOR PIPE DRILLING	
12	* R0758900	COMPLETE GENSALT OE 17 ELECTRODE		22	R0769900	LOCKING RING WRENCH (NOT INCLUDED	

*** SEE OBSERVATIONS SHEET**

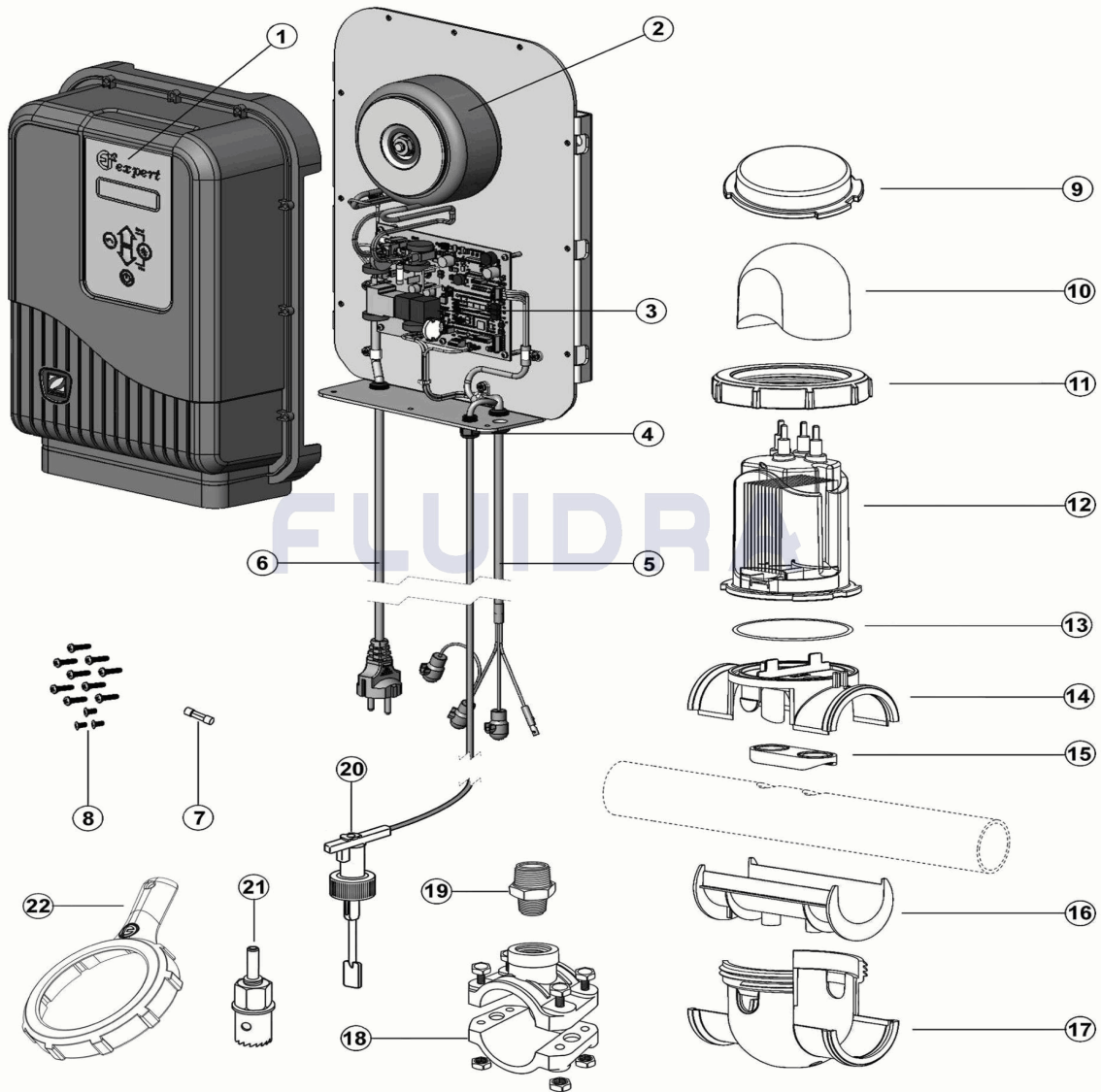
CODE **WW000061,WW000062,WW000063**DESCRIPTION: **EI² EXPERT**

12	* R0759000	COMPLETE EI² 25 ELECTRODE			
----	------------	---------------------------	--	--	--

CODE **WW000061,WW000062,WW000063**DESCRIPTION: **EI² EXPERT****OBSERVATIONS**

POS	CODE	OBSERVATIONS
12	* R0758800	FOR: WW000061
12	* R0758900	FOR: WW000062
12	* R0759000	FOR: WW000063

CODICE **WW000061, WW000062, WW000063**

 DESCRIZIONE: **EI² EXPERT**

ITALIANO

POS	CODICE	DESCRIZIONE	QUANTITA'	POS	CODICE	DESCRIZIONE	QUANTITA'
1	R0664000	KIT CAPOT-INTERFACE EI ² EXPERT		13	R0738500	O RING EI CELL	
2	R0609700	KIT TRASFORMATORE		14	R0767900	CLAMP TOP POD	
3	R0664100	KIT PCB ALIMENTATION EI ² EXPERT		15	R0767800	EI GASKET UK	
4	R0664300	KIT PRESSE-ÉTOUPES EI ² EXPERT		15	R0769700	GASKET - POD EU/SA	
5	R0664200	KIT CÂBLE CELLULE EI ² EXPERT		16	R0770200	PIPE ADAPTOR POD AU/USA	
6	R0625100	KIT CAVO ALIMENTAZIONE SETTORE		16	R0770000	PIPE ADAPTOR POD EU/SA	
7	W110201	FUSIBILE M205 2,5 A T		17	R0768400	CLAMP BOTTOM POD	
8	R0609400	KIT HARDWARE PANNELLO		18	W013010	COLLARE PRESA IN CARICO DN50MM	
9	R0770100	CAPPUCCIO INVERNALE CELLULA		18	W013011	COLLARE PRESA IN CARICO DN63MM	
10	R0768000	CAP EI CELL		19	R0797200	CONNECTOR 3/4" X 1/2" FOR SIKA	
11	R0768200	LOCKING COLLAR POD		20	R0773400	FLOW SWITCH EI ² EXP 3M CABLE	
12	* R0758800	CELL EI 10 EU		21	R0797300	22 MM DIA ETER HOLE SAW	
12	* R0758900	CELL EI 17 EU		22	R0769900	LOCKING COLLAR TOOL POD	

* SI FACCIÀ RIFERIMENTO AL FOGLIO DELLE OSSERVAZIONI

CODICE **WW000061,WW000062,WW000063**DESCRIZIONE: **EI² EXPERT**

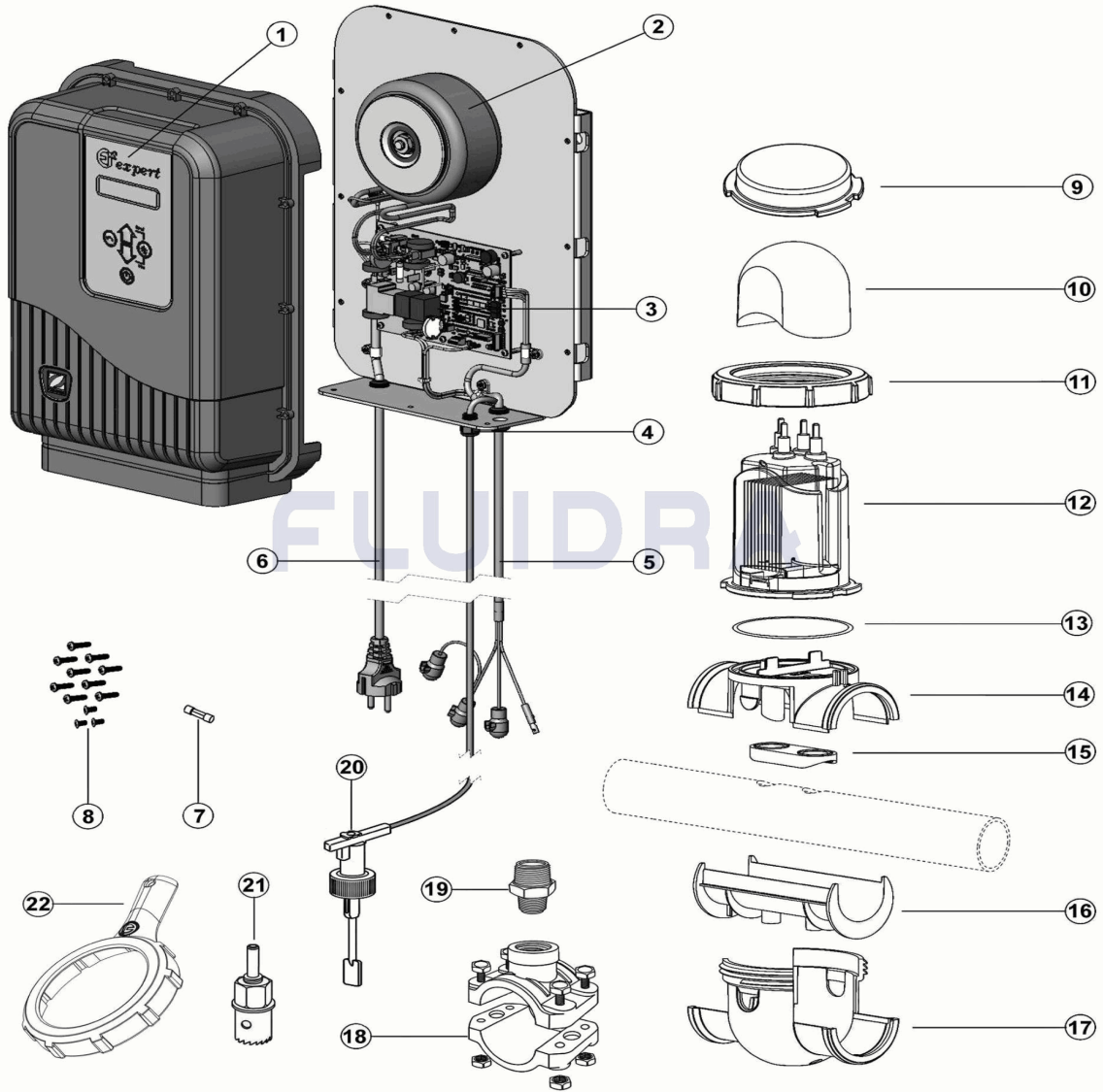
12	* R0759000	CELL EI 25 EU			
----	------------	---------------	--	--	--

CODICE **WW000061,WW000062,WW000063**DESCRIZIONE: **EI² EXPERT****OSSERVAZIONI**

POS	CODICE	OSSERVAZIONI
12	* R0758800	PER: WW000061
12	* R0758900	PER: WW000062
12	* R0759000	PER: WW000063

CODE **WW000061, WW000062, WW000063**

BESCHREIBUNG: **EI² EXPERT**



DEUTSCH

POS	CODE	BESCHREIBUNG	MENGE	POS	CODE	BESCHREIBUNG	MENGE
1	R0664000	GEHÄUSE F. EI ² EXPERT		13	R0738500	O RING EI CELL	
2	R0609700	TRANSFORMATOR FÜR EI 2 EXPERT		14	R0767900	OBERTEIL F. ANBOHRSCHELLE POD	
3	R0664100	PLATINE ZU EI ² EXPERT		15	R0767800	EI GASKET UK	
4	R0664300	KIT PRESSE-ÉTOUPES EI ² EXPERT		15	R0769700	DICHTUNG F. ANBOHRSCHELLE	
5	R0664200	ZELLENKABEL EI ² EXPERT		16	R0770200	PIPE ADAPTOR POD AU/USA	
6	R0625100	KIT CÂBLE ALIMENTATION SECTEUR		16	R0770000	ROHRADAPTER F. Ø 50 MM	
7	W110201	SICHERUNG 2,5 A		17	R0768400	UNTERTEIL F. ANBOHRSCHELLE	
8	R0609400	SCHRAUBENSET GENSALT OE		18	W013010	ANBOHRSCHELLE F. 50ER ROHR	
9	R0770100	SCHUTZKAPPE ÜBERWINTERUNG EI		18	W013011	ANBOHRSCHELLE Ø 63 MM KOMPLETT	
10	R0768000	CAP EI CELL		19	R0797200	ADAPTER F. PADDELSCHALTER	
11	R0768200	ÜBERWURFMUTTER F. ELEKTRODE		20	R0773400	FLOW SWITCH EI ² EXP 3M CABLE	
12	* R0758800	ELEKTROLYSE-ZELLE EI 10		21	R0797300	KRONENBOHRER DM 22 MM	
12	* R0758900	ELEKTROLYSE-ZELLE EI 18		22	R0769900	RINGSCHLÜSSEL FÜR EI-ZELLE	

* SIEHE ANMERKUGSBLATT

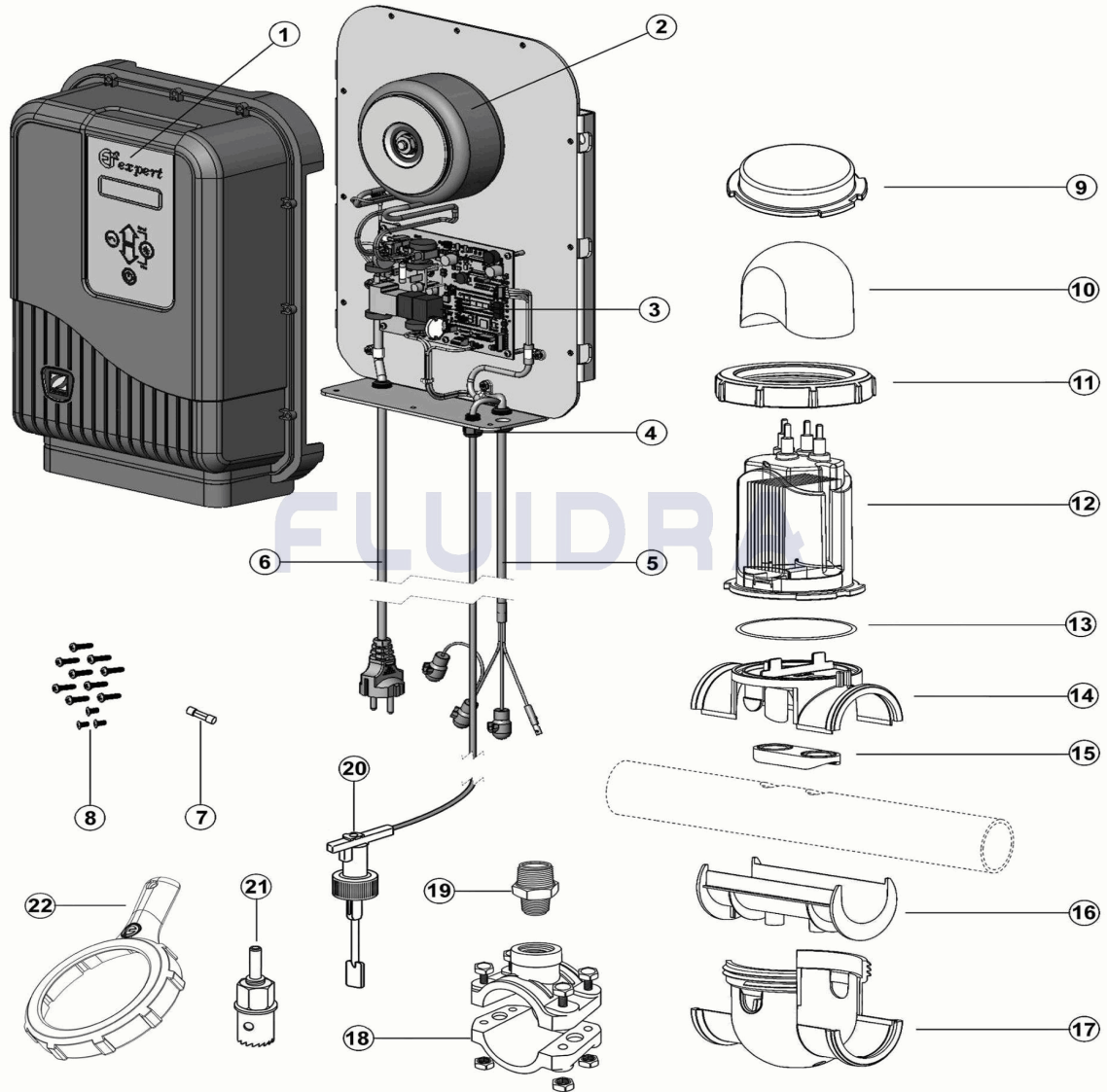
CODE **WW000061,WW000062,WW000063**BESCHREIBUNG: **EI² EXPERT**

12	* R0759000	ELEKTROLYSE-ZELLE EI 25			
----	------------	-------------------------	--	--	--

CODE **WW000061,WW000062,WW000063**BESCHREIBUNG: **EI² EXPERT****HINWEISE**

POS	CODE	HINWEISE
12	* R0758800	FÜR: WW000061
12	* R0758900	FÜR: WW000062
12	* R0759000	FÜR: WW000063

CODIGO **WW000061, WW000062, WW000063**

 DESCRIÇÃO: **EI² EXPERT**


PORTUGUES

POS	CODIGO	DESCRIÇÃO	JANTIDADE	POS	CODIGO	DESCRIÇÃO	JANTIDADE
1	R0664000	KIT CAPOT-INTERFACE EI²EXPERT		13	R0738500	O-RING CELULA EI	
2	R0609700	KIT TRANSFORMADOR		14	R0767900	TAMPA TOPO POD	
3	R0664100	PLACA ALIMENTAÇÃO EI² EXPERT		15	R0767800	JUNTA DE TUBO UK 1 ½"	
4	R0664300	KIT PRESSE-ÉTOUPES EI² EXPERT		15	R0769700	JUNTA TUBO Ø 50/63(EU/SA)	
5	R0664200	KIT CÂBLE CELLULE EI² EXPERT		16	R0770200	SUPLEMTO ADAPTADOR TUBO 1½ UK	
6	R0625100	KIT CÂBLE ALIMENTATION SECTEUR		16	R0770000	ADAPTADOR TUBO EI EU/SA	
7	W110201	FUSÍVEL M205 AT		17	R0768400	ANEL INFERIOR EI	
8	R0609400	KIT PARAFUSOS (12)		18	W013010	BRAÇADEIRA DM 50 M	
9	R0770100	TAMPA DE PROTECÇÃO CÉLULA EI		18	W013011	BRAÇADEIRA DM 63 M	
10	R0768000	TAMPA CONECTORES DE CÉLULA		19	R0797200	ADAPTADOR 1/2"-3/4" DET CAUDAL	
11	R0768200	EI/TRI PORCA FIXAÇÃO CÉLULA		20	R0773400	DETETOR CAUDAL EI2 EXP 3M	
12	* R0758800	CELULA EI 10 EU		21	R0797300	22 MM DIA ETER HOLE SAW	
12	* R0758900	CELULA EI 17		22	R0769900	CHAVE FIXAÇÃO EI	

* VEJA A FICHA DE OBSERVAÇÕES

CODIGO **WW000061,WW000062,WW000063**DESCRIÇÃO: **EI² EXPERT**

12	* R0759000	CELULA EI2 25			
----	------------	---------------	--	--	--

CODIGO **WW000061,WW000062,WW000063**DESCRIÇÃO: **EI² EXPERT****OBSERVAÇÕES**

POS	CODIGO	OBSERVAÇÕES
12	* R0758800	PARA: WW000061
12	* R0758900	PARA: WW000062
12	* R0759000	PARA: WW000063