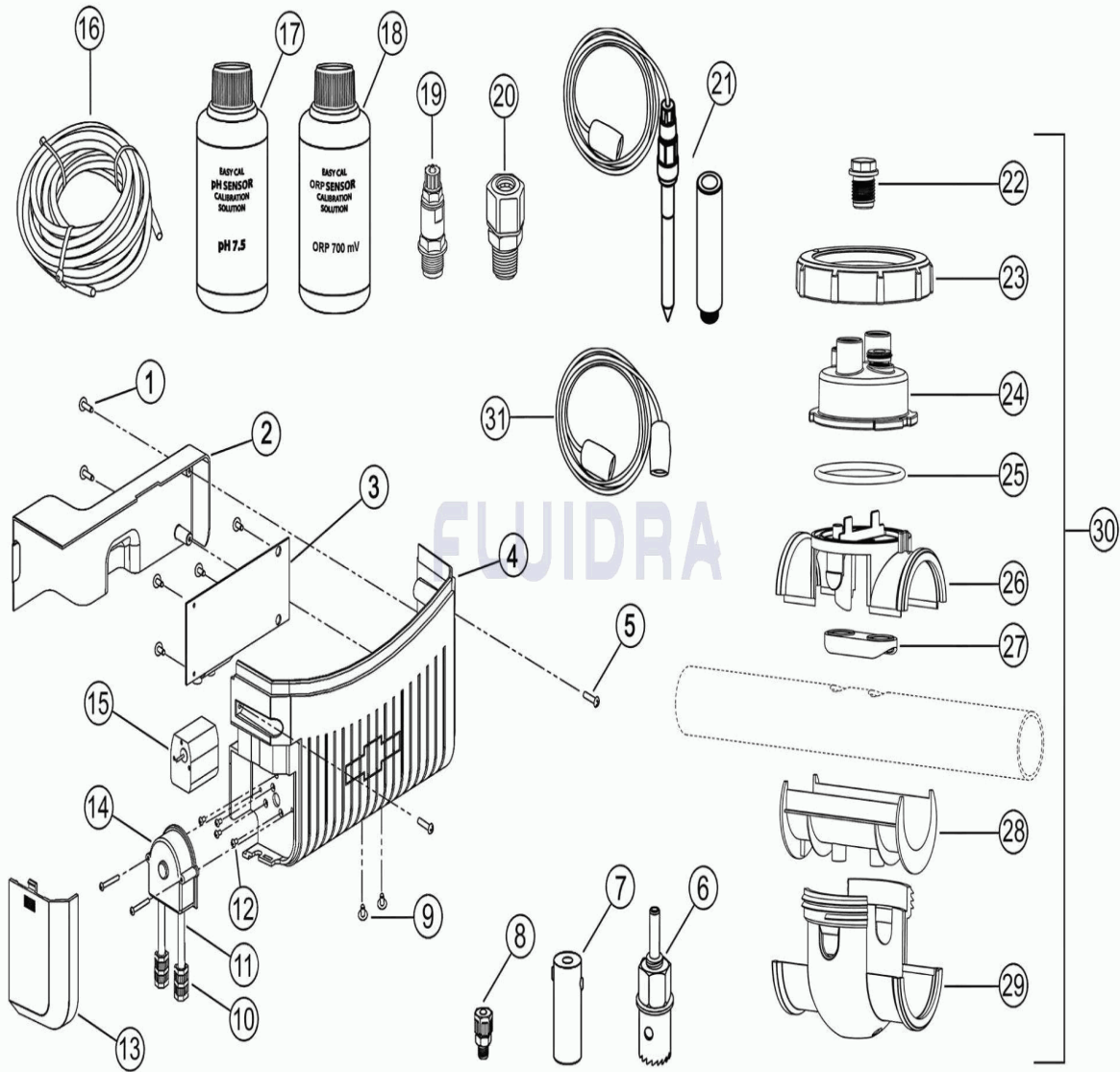


CODIGO **W197515,W197525**

 DESCRIPCION: **TRI PH / TRI PRO**

**ESPAÑOL**

POS	CODIGO	DESCRIPCION	CANTIDAD	POS	CODIGO	DESCRIPCION	CANTIDAD
1	R0743400	TORNILLO 4X1/4" FIJACIÓN TARJETA ELEC	15	R0750700	MOTOR BOMBA PERISTÁLTICA SOLO		
2	R0743300	TAPA DE PROTECCIÓN DE LA TARJETA ELI	16	R0748200	TUBO DE INYECCIÓN DE PRODUCTO CORI		
3	* W083001	TARJETA ELECTRÓNICA DEL MÓDULO PH	17	R0800900	SOLUCIÓN TAMPÓN « PH 7,5 » (200 ML)		
3	* W083011	TARJETA ELECTRÓNICA DEL MÓDULO PH	18	* R0801000	SOLUCIÓN TAMPÓN « ORP 700 MV » (200 ML)		
4	R0743503	CAPÓ PLÁSTICO (SIN PEGATINA)	19	R0738100	VÁLVULA DE INYECCIÓN ANTI RETORNO -		
5	R0743000	TORNILLO M4X20 MM DE FIJACIÓN DE LA	20	W013016	PORTA-SONDA REFORZADA (PARA SONDA		
6	R0797300	ABRAZADERA Ø 63	20	R0824600	PORTA- SONDA P19 - DESDE 2019		
7	R0741200	CONTRAPESO CERÁMICO	21	R0868700	KIT PORTASONDAS Y SONDA PH P19 CON		
8	R0797100	TOPE DEL CONTRAPESO CERÁMICO PAR	21	R0868800	KIT PORTASONDAS Y SONDA REDOX P19		
9	R0742400	TORNILLO M3X5 MM DE FIJACIÓN INFERIC	22	R0740500	TAPÓN ROSCADO POD ½" (+ JUNTA TÓRICA		
10	R0740400	TERMINAL DE CONEXIÓN DEL TUBO PERI	23	R0768200	TUERCA DE CIERRE POD		
11	R0737300	TUBO PERISTÁLTICO SOLO (SIN RACORE)	24	R0749000	POD SOLO (CON ADAPTADOR ROSCADO P		
12	R0744200	TORNILLO M3X6 MM DE FIJACIÓN DE BOW	25	R0738500	JUNTA TÓRICA DEL POD		

\* NOTA OBSERVACIONES

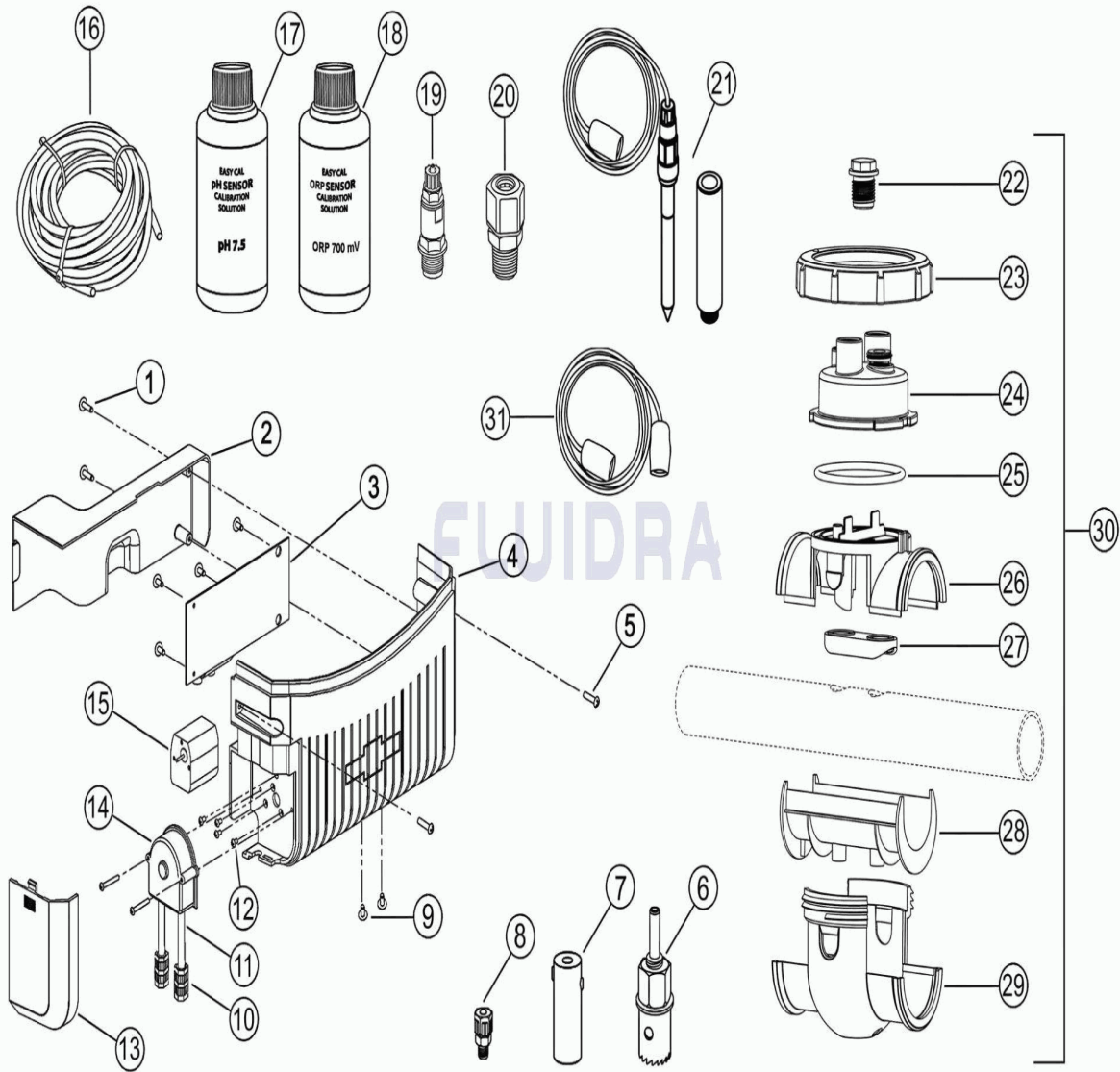
CODIGO **W197515,W197525**DESCRIPCION: **TRI PH / TRI PRO**

13	R0742800	TAPA DE PROTECCIÓN DE LA BOMBA PER	26	R0767900	COLLARÍN SUPERIOR DE TOMA DE CARGA
14	R0740100	CABEZAL DE LA BOMBA PERISTÁLTICA CC	27	R0769700	ADAPTADOR DE TUBO EU Ø 50 O 63 MM
27	R0767800	JUNTA DE TUBO 1 ½"	30	R0534900	KIT POD
28	R0770000	ADAPTADOR PARA TUBO Ø50 MM (EU)	31	R0635800	ALARGO CONECTOR BNC 3 M
28	R0770200	SUPLEMENTO ADAPTADOR DE TUBO 1 ½"	/	R0808000	CÁNULA DE ASPIRACIÓN
29	R0768400	COLLARÍN INFERIOR DE TOMA DE CARGA			

CODIGO **W197515,W197525**DESCRIPCION: **TRI PH / TRI PRO****OBSERVACIONES**

POS	CODIGO	OBSERVACIONES
3	* W083001	PARA: W197525
3	* W083011	PARA: W197515
18	* R0801000	PARA: W197515

CODE **W197515,W197525**

 DESCRIPTION: **TRI PH / TRI PRO**

**FRANCAIS**

POS	CODE	DESCRIPTION	QUANTITE	POS	CODE	DESCRIPTION	QUANTITE
1	R0743400	VIS 4X1/4" DE FIXATION DE CARTE ÉLECTR		15	R0750700	MOTEUR POMPE PÉRISTALTIQUE SEUL	
2	R0743300	PROTECTION DE CARTE ÉLECTRONIQUE		16	R0748200	TUBE D'INJECTION DE PRODUIT CORRECT	
3	* W083001	CARTE ÉLECTRONIQUE MODULE PH		17	R0800900	SOLUTION TAMPON « PH 7,5 » (70 ML)	
3	* W083011	CARTE ÉLECTRONIQUE MODULE PH & AC		18	* R0801000	SOLUTION TAMPON « ORP 700 MV » (70 ML)	
4	R0743503	CAPOT PLASTIQUE MODULE (SANS STICK		19	R0738100	CLAPET D'INJECTION ANTI-RETOUR - 1/2"	
5	R0743000	VIS M4X20 MM DE FIXATION DU CAPOT (C		20	W013016	PORTE-SONDE (POUR SONDES 12MM AVAI	
6	R0797300	SCIE-CLOCHE 22 MM POUR PERÇAGE TU'		20	R0824600	PORTE-SONDE P19 - À PARTIR DE 2019	
7	R0741200	CONTREPOIDS EN CÉRAMIQUE		21	R0868700	KIT PORTE-SONDE ET SONDE PH P19 AVE	
8	R0797100	EMBOUT DE RETENUE DU CONTREPOIDS		21	R0868800	KIT PORTE-SONDE ET SONDE REDOX P19	
9	R0742400	VIS M3X5 MM DE FIXATION PLATINE INFÉF		22	R0740500	BOUCHON FILETÉ 1/2" (+ JOINT TORIQUE)	
10	R0740400	RACCORD DE CONNEXION DU TUYAU PÉF		23	R0768200	BAGUE DE SERRAGE ÉLECTRODE	
11	R0737300	TUYAU PÉRISTALTIQUE SEUL (SANS RACC		24	R0749000	POD SEUL (+ ADAPTATEUR FILETÉ POUR C	
12	R0744200	VIS M3X6 MM DE FIXATION MOTEUR POMI		25	R0738500	JOINT TORIQUE D'ÉLECTRODE	

CODE **W197515,W197525**DESCRIPTION: **TRI PH / TRI PRO**

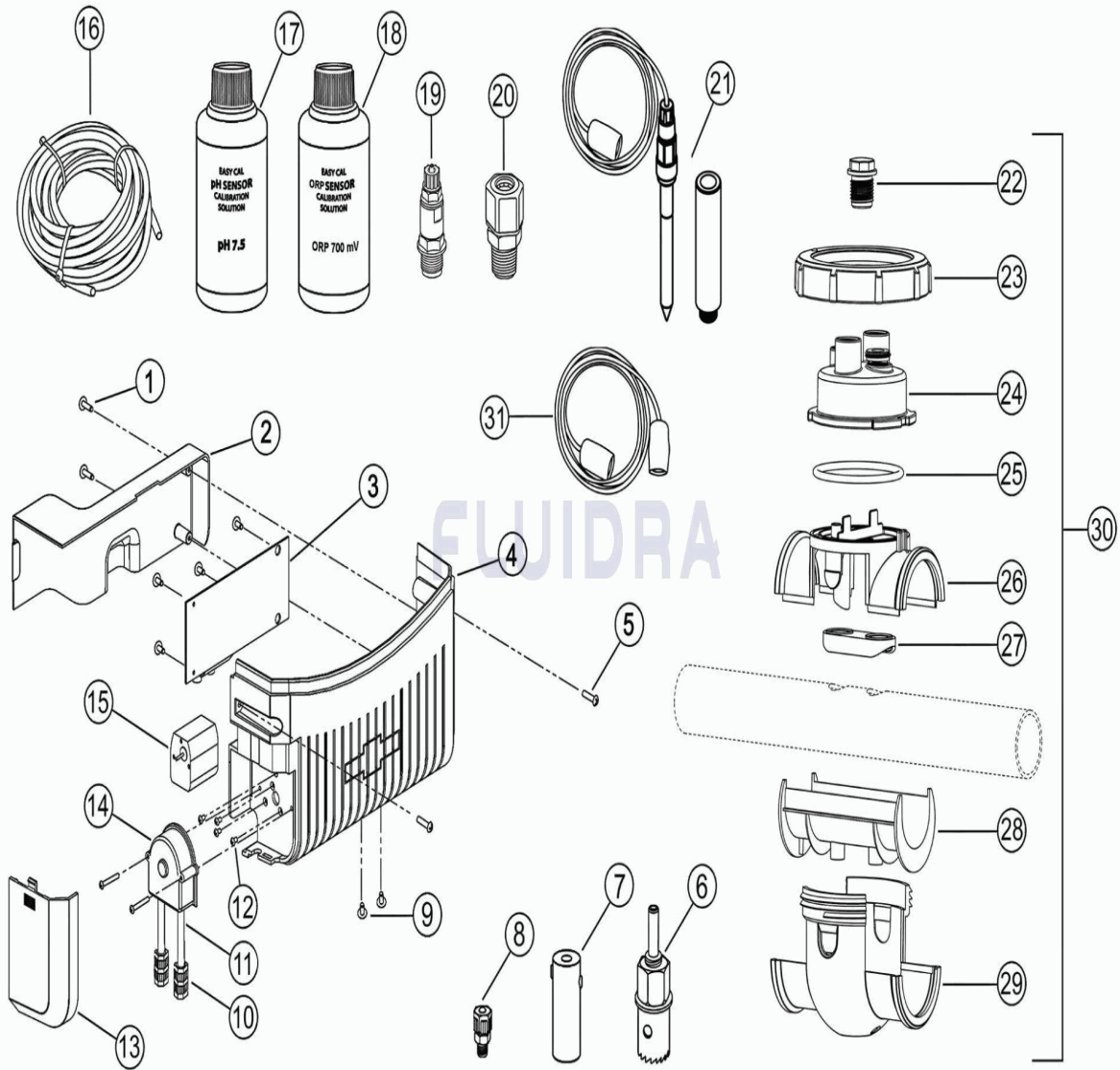
13	R0742800	CAPOT DE PROTECTION POMPE PÉRISTA	26	R0767900	DEMI-COLLIER DE PRISE EN CHARGE SUP
14	R0740100	TÊTE DE POMPE PÉRISTALTIQUE AVEC TL	27	R0769700	JOINT PLAT DE TUYAU EU (DN50 MM & DN€
27	R0767800	JOINT PLAT DE TUYAU UK (1½")	30	R0534900	KIT POD COMPLET
28	R0770000	ADAPTATEUR DE TUYAU EU (DN50 MM)	31	R0635800	RALLONGE CÂBLE BNC 3M POUR SONDÉS
28	R0770200	ADAPTATEUR DE TUYAU UK (1½")	/	R0808000	CANNE D'ASPIRATION ANTI-ÉMANATION
29	R0768400	DEMI-COLLIER DE PRISE EN CHARGE EI II			

CODE **W197515,W197525**DESCRIPTION: **TRI PH / TRI PRO****OBSERVATIONS**

POS	CODE	OBSERVATIONS
3	* W083001	POUR: W197525
3	* W083011	POUR: W197515
18	* R0801000	POUR: W197515

CODE **W197515,W197525**

DESCRIPTION: **TRI PH / TRI PRO**



**ENGLISH**

POS	CODE	DESCRIPTION	QUANTITY	POS	CODE	DESCRIPTION	QUANTITY
1	R0743400	4X¼" FIXING SCREWS FOR ELECTRONIC I		15	R0750700	PERISTALTIC PUMP MOTOR	
2	R0743300	MODULE ELECTRONIC BOARD PROTECTI		16	R0748200	POLYETHYLENE CORRECTING FLUID INJE	
3	* W083001	PH ELECTRONIC BOARD		17	R0800900	BUFFER SOLUTION "PH 7.5" (70 ML)	
3	* W083011	PH & ACL ELECTRONIC BOARD		18	* R0801000	BUFFER SOLUTION "ORP 700 MV" (70 ML)	
4	R0743503	TRI MODULE PLASTIC COVER (WITHOUT €		19	R0738100	INJECTION CHECK VALVE - ½"	
5	R0743000	M4X20 MM FIXING SCREWS FOR COVERS		20	W013016	SENSOR HOLDER (FOR 12MM SENSOR BE	
6	R0797300	HOLE SAW 22 MM FOR PIPE DRILLING		20	R0824600	SENSOR HOLDER P19 - STARTING 2019	
7	R0741200	CERAMIC COUNTER-WEIGHT		21	R0868700	SENSOR HOLDER AND PH SENSOR P19 WI	
8	R0797100	CERAMIC COUNTER-WEIGHT RETAINING I		21	R0868800	SENSOR HOLDER AND ORP SENSOR P19 V	
9	R0742400	M3X5 MM FIXING SCREWS FOR LOWER PI		22	R0740500	THREADED PLUG ½" (+ ORING)	
10	R0740400	PERISTALTIC HOSE CONNECTOR (PER ITE		23	R0768200	ELECTRODE TIGHTENING RING	
11	R0737300	PERISTALTIC HOSE (NO CONNECTORS)		24	R0749000	POD (+ THREADED ADAPTER FOR FLOW I	
12	R0744200	M3X6 MM FIXING SCREWS FOR PERISTAL		25	R0738500	ELECTRODE O-RING	

CODE **W197515,W197525**DESCRIPTION: **TRI PH / TRI PRO**

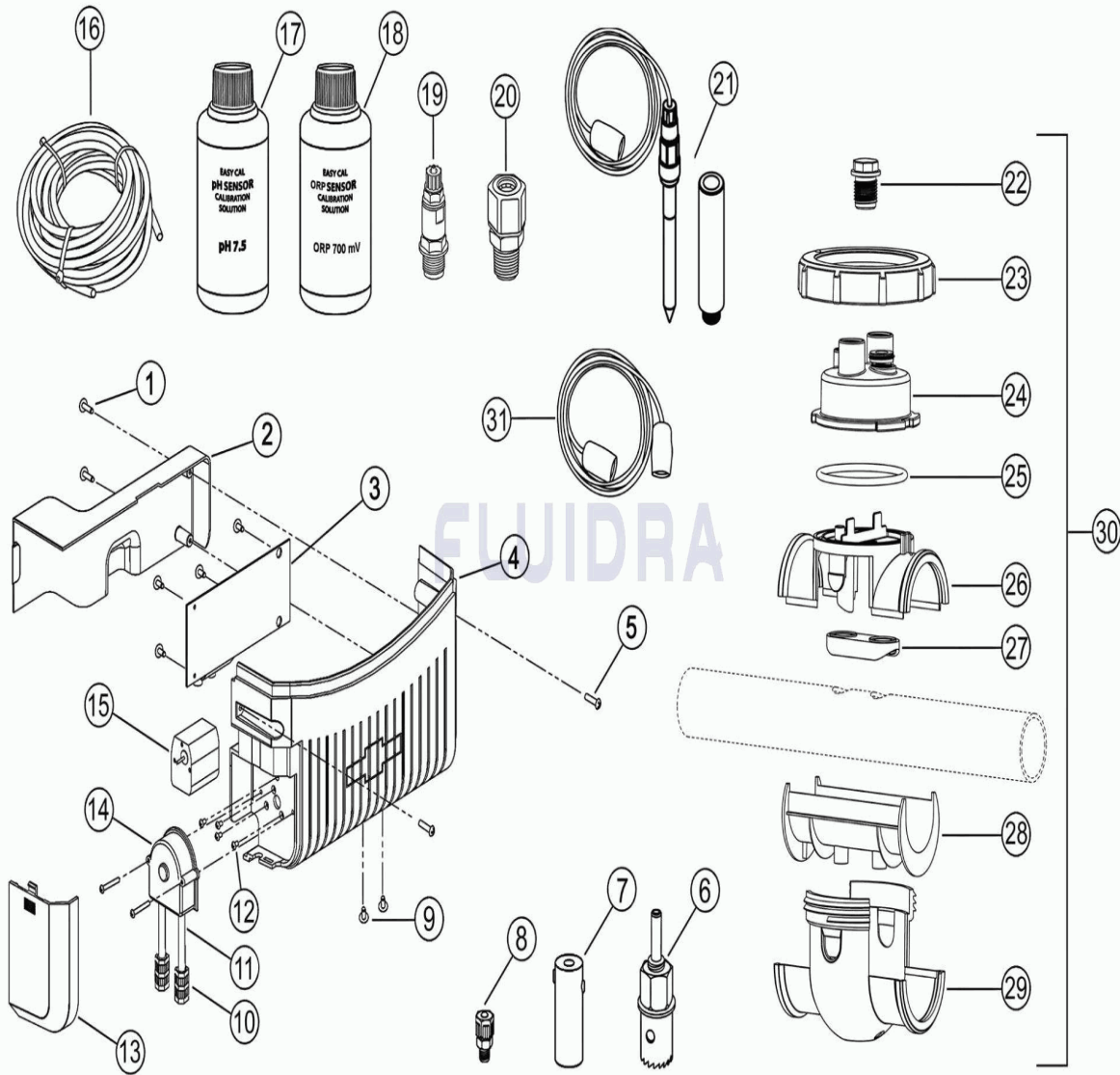
13	R0742800	PERISTALTIC PUMP PROTECTION COVER	26	R0767900	SADDLE CLAMP TOP
14	R0740100	PERISTALTIC PUMP HEAD WITH HOSE (NC	27	R0769700	FLAT HOSE JOINT DN50 MM & DN63 MM (EI
27	R0767800	FLAT HOSE JOINT 1 1/2" (UK)	30	R0534900	POD KIT
28	R0770000	EU PIPE ADAPTER (DN50 MM)	31	R0635800	3 M BNC CABLE EXTENSION FOR PH & ACI
28	R0770200	UK PIPE ADAPTER (1 1/2")	/	R0808000	COMPLETE ANTI-EMISSION SUCTION PIPE
29	R0768400	SADDLE CLAMP BOTTOM			



CODE **W197515,W197525**DESCRIPTION: **TRI PH / TRI PRO****OBSERVATIONS**

POS	CODE	OBSERVATIONS
3	* W083001	FOR: W197525
3	* W083011	FOR: W197515
18	* R0801000	FOR: W197515

CODICE **W197515,W197525**

 DESCRIZIONE: **TRI PH / TRI PRO**

**ITALIANO**

POS	CODICE	DESCRIZIONE	QUANTITA'	POS	CODICE	DESCRIZIONE	QUANTITA'
1	R0743400	SCREWS TRI PCB *4		15	R0750700	PERISTALTIC PUMP MOTOR ALONE	
2	R0743300	INNER SHROUD PH&DUAL		16	R0748200	TRI ACID TUBE 5MX6MM OD	
3	* W083001	SCHEDA ELETTRONICA MODULO PH		17	R0800900	PH SENSOR BUFFER SOLUTION 70ML	
3	* W083011	SCHEDA ELETTR. MODULO PH E ACL		18	* R0801000	ORP SENSR BUFFER SOLUTION 70ML	
4	R0743503	COPERTURA IN PLASTICA MODULO TRI (S)		19	R0738100	POD ONE WAY VALVE	
5	R0743000	SCREW M4X20MM X 4		20	W013016	PORTA-SONDA PH	
6	R0797300	22 MM DIA ETHER HOLE SAW		20	R0824600	PROBE HOLDER TNG	
7	R0741200	CERAMIC WGHT FOR ACID TUBE X 2		21	R0868700	PORTA SENSORE E SENSORE PH P19 CON	
8	R0797100	COMPRESSION FITTING 3PX6MMX1/8		21	R0868800	PORTA SENSORE E SENSORE ORP P19 CC	
9	R0742400	SCREW M3X5MM ZINC X 2		22	R0740500	POD SCREW CAP *2	
10	R0740400	TRI-PH BARB & BLOCK FITTINGS		23	R0768200	LOCKING COLLAR POD	
11	R0737300	PEISTALTIC SQUEEZE TUBE 200MM		24	R0749000	CAP & FLOWSWITH ADAPT POD	
12	R0744200	SCREW M3X6MM CTRSUNK *4		25	R0738500	O RING EI CELL	

\* SI FACCIÀ RIFERIMENTO AL FOGLIO DELLE OSSERVAZIONI

CODICE **W197515,W197525**DESCRIZIONE: **TRI PH / TRI PRO**

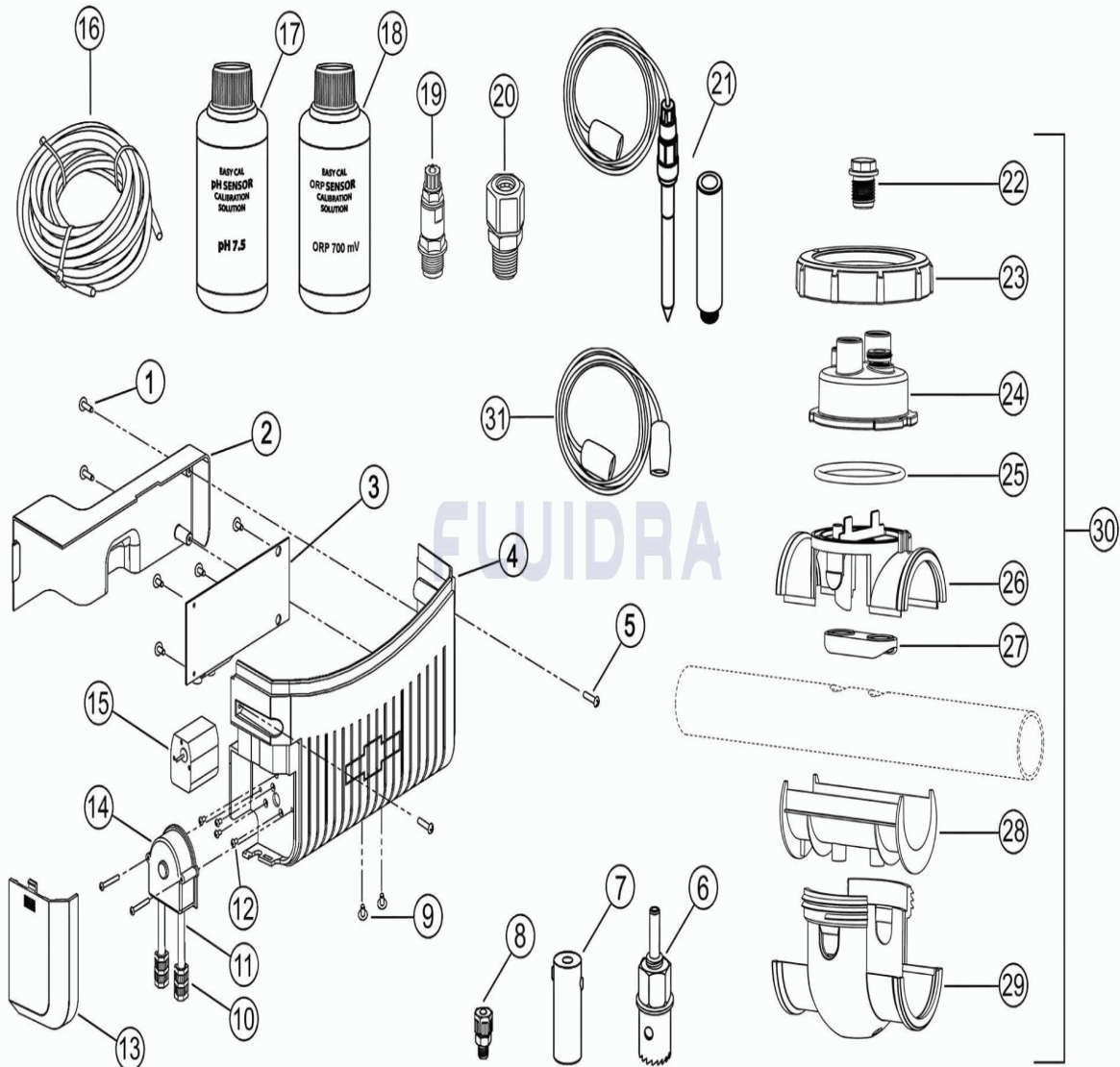
13	R0742800	DOOR ACID PUMP MODULE	26	R0767900	CLAMP TOP POD
14	R0740100	TRI-PH PUMP HEAD & TUBE	27	R0769700	GASKET - POD EU/SA
27	R0767800	EI GASKET UK	30	R0534900	KIT POD EU
28	R0770000	PIPE ADAPTOR POD EU/SA	31	R0635800	PROLUNGA CAVO BNC 3M SONDE Z54
28	R0770200	PIPE ADAPTOR POD AU/USA	/	R0808000	INTAKE PIPE W/O LEVEL
29	R0768400	CLAMP BOTTOM POD			

CODICE **W197515,W197525**DESCRIZIONE: **TRI PH / TRI PRO****OSSERVAZIONI**

POS	CODICE	OSSERVAZIONI
3	* W083001	PER: W197525
3	* W083011	PER: W197515
18	* R0801000	PER: W197515

CODE **W197515,W197525**

BESCHREIBUNG: TRI PH / TRI PRO


**DEUTSCH**

POS	CODE	BESCHREIBUNG	MENGE	POS	CODE	BESCHREIBUNG	MENGE
1	R0743400	SCREWS TRI PCB *4		15	R0750700	MOTOR F. PERISTALTIKPUMPE TRI	
2	R0743300	INNER SHROUD PH&DUAL		16	R0748200	TRI ACID TUBE 5MX6MM OD	
3	* W083001	KONTROLLKARTE F. TRI PH-MODUL		17	R0800900	PH SENSOR BUFFER SOLUTION 70ML	
3	* W083011	KONTROLLKARTE F. TRI PRO-MODUL		18	* R0801000	EICHLÖSUNG ACL 700 MV	
4	R0743503	TRI MODUL KUNSTSTOFFABDECKUNG (OI		19	R0738100	IMPFVENTIL 1/2" F. TRI PH	
5	R0743000	SCREW M4X20MM X 4		20	W013016	SONDENHALTER MODELL PSS3	
6	R0797300	KRONENBOHRER DM 22 MM		20	R0824600	SONDENHALTER P19	
7	R0741200	CERAMIC WGHT FOR ACID TUBE X 2		21	R0868700	SENSORHALTER UND PH-SENSOR P19 MIT	
8	R0797100	COMPRESSION FITTING 3PX6MMX1/8		21	R0868800	SENSORHALTER UND ORP SENSOR P19 M	
9	R0742400	SCREW M3X5MM ZINC X 2		22	R0740500	GEWINDEKAPPE 1/2" MIT O-RING	
10	R0740400	TRI-PH BARB & BLOCK FITTINGS		23	R0768200	ÜBERWURFMUTTER F. ELEKTRODE	
11	R0737300	ERSATZSCHLAUCH FÜR TRI PH		24	R0749000	ELEKTRODENAUFNAHME	
12	R0744200	SCREW M3X6MM CTRSUNK *4		25	R0738500	O RING EI CELL	

\* SIEHE ANMERKUNGSBLATT

CODE **W197515,W197525**BESCHREIBUNG: **TRI PH / TRI PRO**

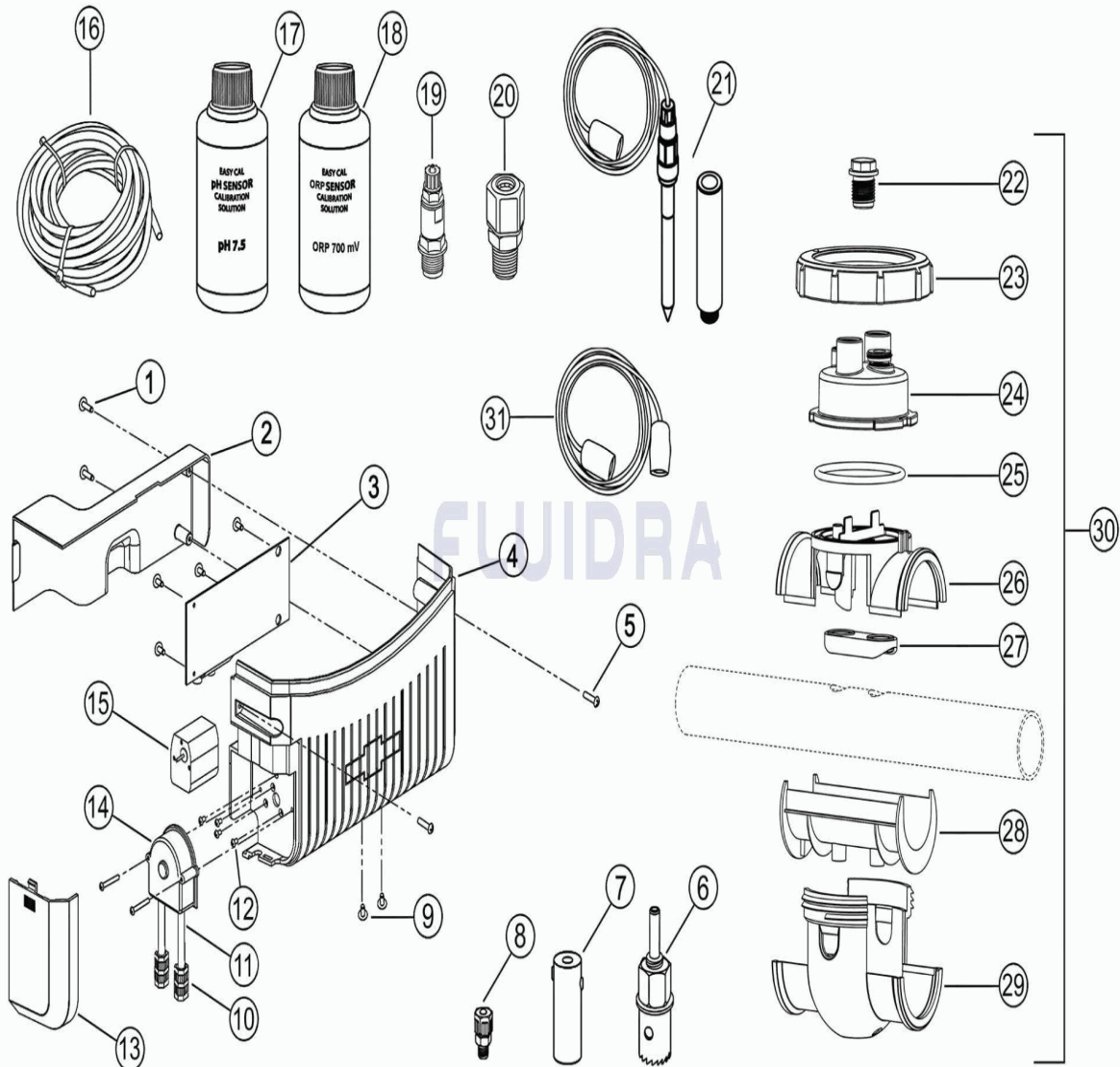
13	R0742800	DOOR ACID PUMP MODULE	26	R0767900	OBERTEIL F. ANBOHRSCHELLE POD
14	R0740100	PUMPENKOPF TRI	27	R0769700	DICHTUNG F. ANBOHRSCHELLE
27	R0767800	EI GASKET UK	30	R0534900	KIT POD
28	R0770000	ROHRADAPTER F. Ø 50 MM	31	R0635800	BNC SONDEN-KABEL 3 M
28	R0770200	PIPE ADAPTOR POD AU/USA	/	R0808000	INTAKE PIPE W/O LEVEL
29	R0768400	UNTERTEIL F. ANBOHRSCHELLE			

CODE **W197515,W197525**BESCHREIBUNG: **TRI PH / TRI PRO****HINWEISE**

POS	CODE	HINWEISE
3	* W083001	FÜR: W197525
3	* W083011	FÜR: W197515
18	* R0801000	FÜR: W197515

CODIGO **W197515,W197525**

DESCRIÇÃO: TRI PH / TRI PRO



### PORTUGUES

POS	CODIGO	DESCRIÇÃO	JANTIDADE	POS	CODIGO	DESCRIÇÃO	JANTIDADE
1	R0743400	SCREWS TRI PCB *4		15	R0750700	PERISTALTIC PUMP MOTOR ALONE	
2	R0743300	INNER SHROUD PH&DUAL		16	R0748200	TRI ACID TUBE 5MX6MM OD	
3	* W083001	PLACA ELECTRÓNICA MÓDULO TRIPH		17	R0800900	SOLUÇÃO TAMPÃO PH 7,5	
3	* W083011	PLACA ELECTRÓNICA TRI PRO		18	* R0801000	SOLUÇÃO TAMPÃO ACL 700MV	
4	R0743503	TAMPA DE PLÁSTICO DO MÓDULO TRI (SE		19	R0738100	POD ONE WAY VALVE	
5	R0743000	SCREW M4X20MM X 4		20	W013016	REDUTOR PORTA-SONDA	
6	R0797300	22 MM DIA ETER HOLE SAW		20	R0824600	PROBE HOLDER TNG	
7	R0741200	CERAMIC WGHY FOR ACID TUBE X 2		21	R0868700	SUPORE DE SENSOR E SENSOR DE PH P	
8	R0797100	COMPRESSION FITTING 3PX6MMX1/8		21	R0868800	SUPORE DE SENSOR E SENSOR ORP P1	
9	R0742400	SCREW M3X5MM ZINC X 2		22	R0740500	POD SCREW CAP *2	
10	R0740400	TRI-PH BARB & BLOCK FITTINGS		23	R0768200	EI/TRI PORCA FIXAÇÃO CÉLULA	
11	R0737300	PEISTALTIC SQUEEZE TUBE 200MM		24	R0749000	CAP & FLOWSWITH ADAPT POD	
12	R0744200	SCREW M3X6MM CTRSUNK *4		25	R0738500	O-RING CELULA EI	

\* VEJA A FICHA DE OBSERVAÇÕES



CODIGO **W197515,W197525**DESCRIÇÃO: **TRI PH / TRI PRO**

13	R0742800	DOOR ACID PUMP MODULE	26	R0767900	TAMPA TOPO POD
14	R0740100	TRI-PH CABEÇA PERIS+TUBO	27	R0769700	JUNTA TUBO Ø 50/63(EU/SA)
27	R0767800	JUNTA DE TUBO UK 1 ½"	30	R0534900	KIT POD EU
28	R0770000	ADAPTADOR TUBO EI EU/SA	31	R0635800	CABO BNC 3M
28	R0770200	SUPLEMTO ADAPTADOR TUBO 1½ UK	/	R0808000	INTAKE PIPE W/O LEVEL
29	R0768400	ANEL INFERIOR EI			

CODIGO **W197515,W197525**

DESCRIÇÃO: TRI PH / TRI PRO

**OBSERVAÇÕES**

POS	CODIGO	OBSERVAÇÕES
3	* W083001	PARA: W197525
3	* W083011	PARA: W197515
18	* R0801000	PARA: W197515