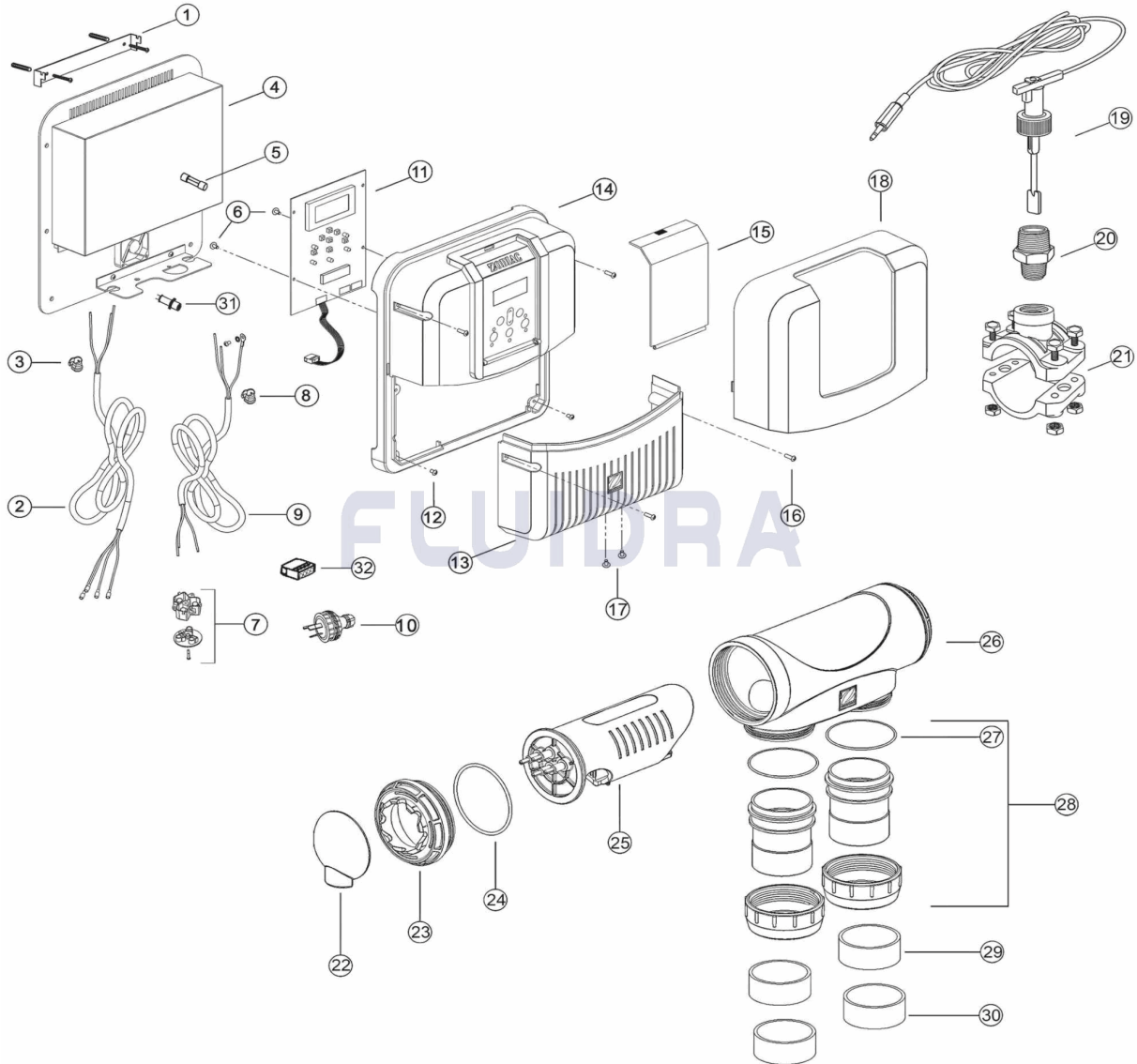


CODIGO **WW000005, WW000006, WW000008, WW000009, WW000055,
WW000056, WW000057, WW000058**

DESCRIPCION: **HYDROXINATOR®**



ESPAÑOL

POS	CODIGO	DESCRIPCION	CANTIDAD	POS	CODIGO	DESCRIPCION	CANTIDAD
1	R0740700	SOPORTE FIJACIÓN PARED CON KIT TORI		16	R0743000	TORNILLO M4X20 MM DE FIJACIÓN DE LA 1	
2	R0740300	CABLE COMPLETO DE ALIMENTACIÓN DE		17	R0742400	TORNILLO M3X5 MM DE FIJACIÓN INFERIO	
3	R0768100	GRAPA DE FIJACIÓN PARA CABLE DE ALIM		18	R0742600	MARCO PLÁSTICO SUPERIOR AZUL HYDR	
4	W082981	CONJUNTO CARTA ELECTRÓNICA ALIMEN		19	* R0737500	DETECTOR DE CAUDAL COMPLETO (+ CAE	
5	W110201	FUSIBLE M205 2,5 A T		19	* R0792800	DETECTOR DE CAUDAL COMPLETO (+ CAE	
6	R0743400	TORNILLO 4X1/4" FIJACIÓN TARJETA ELEC		20	R0797200	ADAPTADOR 1/2" - 3/4" PARA DETECTOR D	
7	R0741300	ENCHUFE HEMBRA FORMATO AUS		21	W013010	ABRAZADERA DM 50 M COMPLETO (ADAP1	
8	R0742900	GRAPA DE FIJACIÓN CABLE DE ALIMENTA		21	W013011	ABRAZADERA DM 63 M COMPLETO (ADAP1	
9	R0741501	CABLE ALIMENTACIÓN SECTOR EU		22	R0742300	TAPÓN DE PROTECCIÓN AZUL CÉLULA EXI	
10	R0768700	ENCHUFE MACHO 3 FORMATO AUS		23	R0740600	ROSCA DE FIJACIÓN DEL ELECTRODO	
11	R0615400	TARJETA ELECTRÓNICA DE CONTROL HYI		24	R0739000	JUNTA TÓRICA DE ESTANQUEIDAD DE ELE	
12	R0741400	TORNILLO M4X6 MM DE FIJACIÓN INFERIC		25	* R0635200	ELECTRODO COMPLETO HYDROXINATOR®	

CODIGO **WW000005, WW000006, WW000008, WW000009, WW000055,
WW000056, WW000057, WW000058**

DESCRIPCION: **HYDROXINATOR®**

13	R0742500	CAPÓ PLÁSTICO INFERIOR CAJA DE MANI	25	* R0635201	ELECTRODO COMPLETO HYDROXINATOR®
14	R0743201	CAPÓ PLÁSTICO SUPERIOR UNIDAD DE C	25	* R0635202	ELECTRODO COMPLETO HYDROXINATOR®
15	R0741800	CAPÓ DE PROTECCIÓN DE LA UNIDAD DE	25	* R0635203	ELECTRODO COMPLETO HYDROXINATOR®
26	R0740200	CUERPO DE CÉLULA VACÍA	30	R0770300	ADAPTADOR PVC 1 1/2" PARA PEGAR (UK)
27	R0737700	JUNTA TÓRICA PARA RACOR DE UNIÓN DI	31	R0749600	CONECTOR HEMBRA JACK 3,5 MM
28	R0748700	CONJUNTO ADAPTADORES DE UNIÓN Ø 6	32	R0737900	CONECTOR MACHO ALIMENTACIÓN 4 CAB
29	R0768600	ADAPTADOR PVC Ø50 MM PARA PEGAR	/	R0861500	RKIT CAJA EXO IQ COMPLETA PARA CONVI

CODIGO **WW000005, WW000006, WW000008, WW000009, WW000055,**
WW000056, WW000057, WW000058

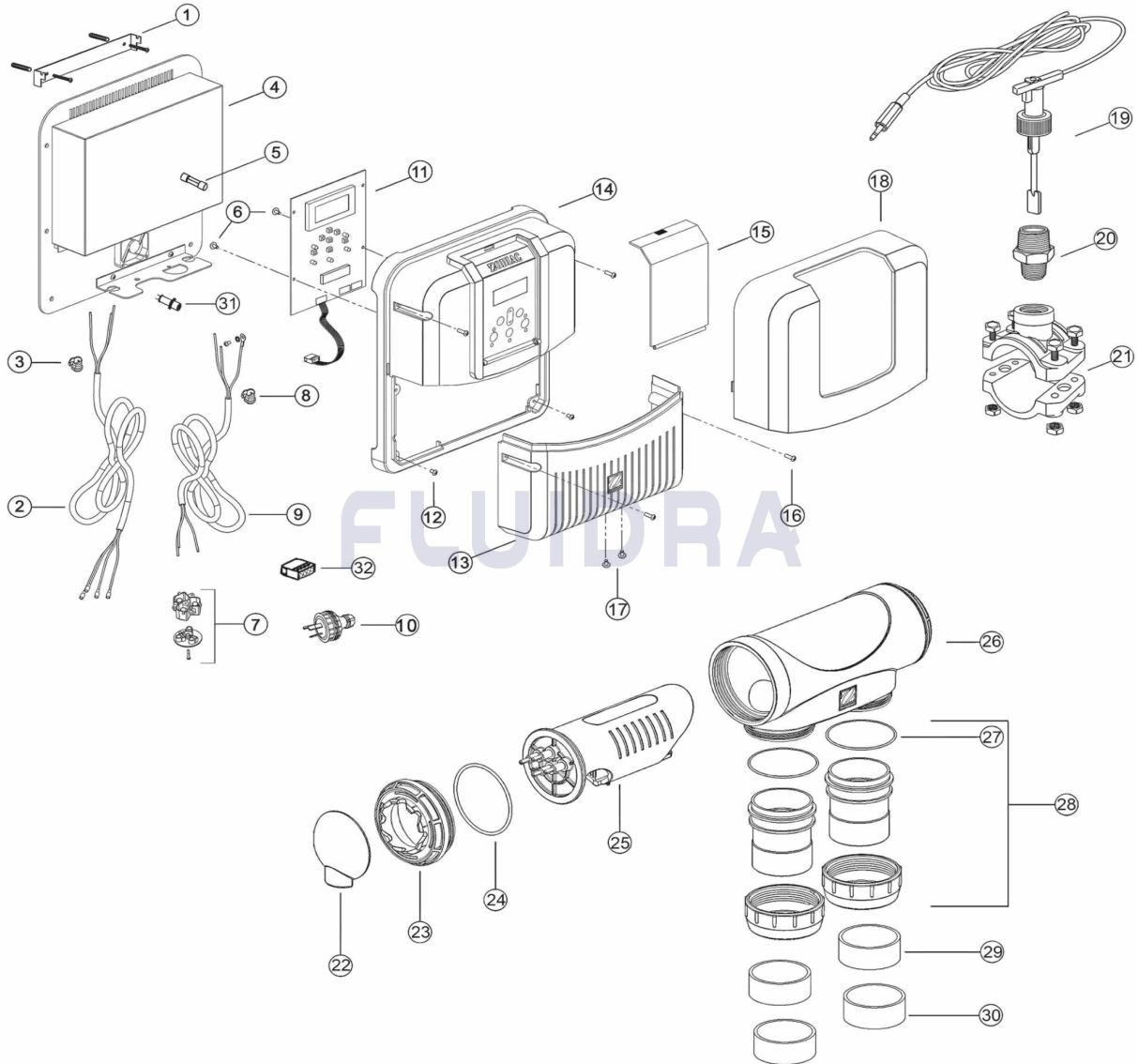
DESCRIPCION: HYDROXINATOR®

OBSERVACIONES

POS	CODIGO	OBSERVACIONES
19	* R0737500	PARA: WW000005,WW000006,WW000008,WW000009
19	* R0792800	PARA: WW000055,WW000056,WW000057,WW000058
25	* R0635200	PARA: WW000005,WW000055
25	* R0635201	PARA: WW000006,WW000056
25	* R0635202	PARA: WW000008,WW000057
25	* R0635203	PARA: WW000009,WW000058

CODE **WW000005, WW000006, WW000008, WW000009, WW000055,
WW000056, WW000057, WW000058**

DESCRIPTION: **HYDROXINATOR®**



FRANCAIS

POS	CODE	DESCRIPTION	QUANTITE	POS	CODE	DESCRIPTION	QUANTITE
1	R0740700	SUPPORT DE FIXATION MURALE + KIT VIS		16	R0743000	VIS M4X20 MM DE FIXATION DU CAPOT (CC	
2	R0740300	CÂBLE COMPLET D'ALIMENTATION DE CEI		17	R0742400	VIS M3X5 MM DE FIXATION PLATINE INFÉR	
3	R0768100	GRIPPE-FIL POUR CÂBLE ALIMENTATION C		18	R0742600	COQUE D'HABILLAGE SUPÉRIEURE BLEUE	
4	W082981	ENSEMBLE ALIMENTATION ÉLECTRONIQUE		19	* R0737500	DÉTECTEUR DE DÉBIT COMPLET (+ CÂBLE	
5	W110201	FUSIBLE M205 2,5 A T		19	* R0792800	DÉTECTEUR DE DÉBIT COMPLET (+ CÂBLE	
6	R0743400	VIS 4X¼" DE FIXATION DE CARTE ÉLECTR		20	R0797200	ADAPTEUR 1/2" - 3/4" POUR DÉTECTEUR	
7	R0741300	PRISE FEMELLE TYPE « AUS »		21	W013010	COLLIER DE PRISE EN CHARGE DN50 MM	
8	R0742900	GRIPPE-FIL POUR CÂBLE ALIMENTATION S		21	W013011	COLLIER DE PRISE EN CHARGE DN63 MM	
9	R0741501	CÂBLE D'ALIMENTATION SECTEUR		22	R0742300	CAPUCHON DE PROTECTION BLEU DE CEI	
10	R0768700	PRISE MÂLE 3 FICHES TYPE « AUS »		23	R0740600	BAGUE DE SERRAGE ÉLECTRODE	
11	R0615400	CARTE ÉLECTRONIQUE DE CONTRÔLE H'		24	R0739000	JOINT TORIQUE D'ÉLECTRODE X2	
12	R0741400	VIS M4X6 MM DE FIXATION INFÉRIEURE D		25	* R0635200	ELECTRODE HYDROXINATOR® IQ 10 COMI	

* VOIR FICHE D'OBSERVATIONS

CODE **WW000005, WW000006, WW000008, WW000009, WW000055,
WW000056, WW000057, WW000058**

DESCRIPTION: **HYDROXINATOR®**

13	R0742500	CAPOT PLASTIQUE INFÉRIEUR STANDARD	25	* R0635201	ELECTRODE HYDROXINATOR® IQ 18 COMI
14	R0743201	CAPOT PLASTIQUE SUPÉRIEUR AVEC STI	25	* R0635202	ELECTRODE HYDROXINATOR® IQ 22 COMI
15	R0741800	CAPOT PLEXI TRANSLUCIDE DE PROTECT	25	* R0635203	ELECTRODE HYDROXINATOR® IQ 35 COMI
26	R0740200	CORPS DE CELLULE VIDE	30	R0770300	RÉDUCTEUR PVC 1 ½" À COLLER (UK)
27	R0737700	JOINT TORIQUE DE RACCORD UNION DE (31	R0749600	PRISE JACK 3,5 MM FEMELLE
28	R0748700	ENSEMBLE RACCORD UNION POUR CELL	32	R0737900	CONNECTEUR CÂBLE 4 VOIES X2
29	R0768600	RÉDUCTEUR PVC DN50 MM À COLLER	/	R0861500	RKIT COFFRET EXO IQ COMPLET POUR CC

CODE **WW000005, WW000006, WW000008, WW000009, WW000055,
WW000056, WW000057, WW000058**

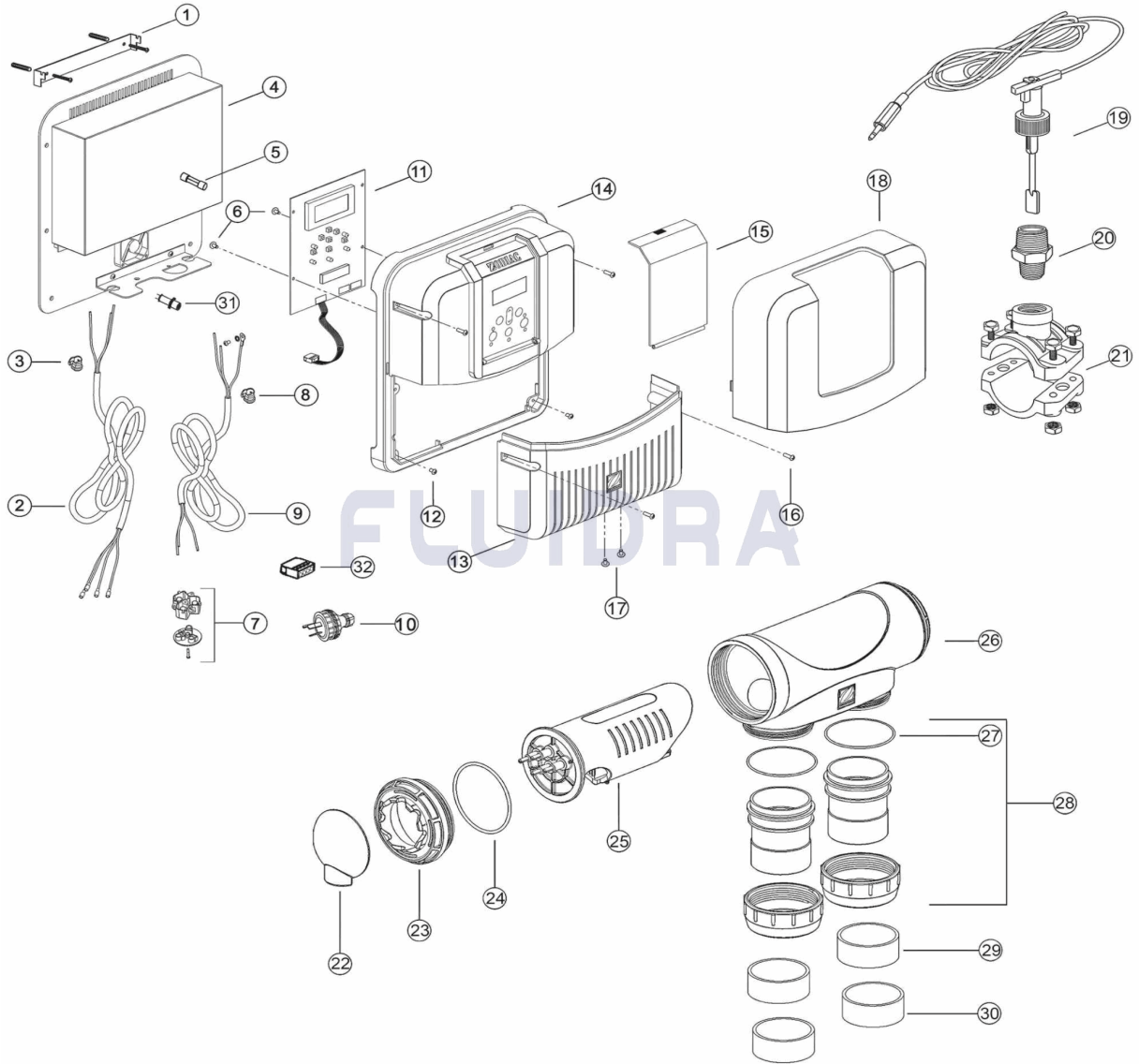
DESCRIPTION: **HYDROXINATOR®**

OBSERVATIONS

POS	CODE	OBSERVATIONS
19	* R0737500	POUR: WW000005,WW000006,WW000008,WW000009
19	* R0792800	POUR: WW000055,WW000056,WW000057,WW000058
25	* R0635200	POUR: WW000005,WW000055
25	* R0635201	POUR: WW000006,WW000056
25	* R0635202	POUR: WW000008,WW000057
25	* R0635203	POUR: WW000009,WW000058

CODE **WW000005, WW000006, WW000008, WW000009, WW000055,
WW000056, WW000057, WW000058**

DESCRIPTION: **HYDROXINATOR®**



ENGLISH

POS	CODE	DESCRIPTION	QUANTITY	POS	CODE	DESCRIPTION	QUANTITY
1	R0740700	WALL MOUNT KIT W/ SCREWS		16	R0743000	M4X20 MM FIXING SCREWS FOR COVERS	
2	R0740300	COMPLETE CELL MAINS SUPPLY CABLE		17	R0742400	M3X5 MM FIXING SCREWS FOR LOWER PL	
3	R0768100	CABLE GRIP FOR CELL POWER SUPPLY		18	R0742600	HYDROXINATOR® BLUE HOUSING COVER	
4	W082981	POWER SUPPLY SET (ALUMINIUM CHASIS		19	* R0737500	COMPLETE FLOW SWITCH (+ CABLE AND J	
5	W110201	M205 2.5 A T FUSE		19	* R0792800	COMPLETE FLOW SWITCH (+ CABLE) - AFT	
6	R0743400	4X¼" FIXING SCREWS FOR ELECTRONIC I		20	R0797200	¾"X1/2" ADAPTER FOR FLOW SWITCH	
7	R0741300	"AUS" FEMALE TYPE PLUG		21	W013010	COMPLETE DN50 MM SADDLE CLAMP (AD/	
8	R0742900	CABLE GRIP FOR MAINS POWER SUPPLY		21	W013011	COMPLETE DN63 MM SADDLE CLAMP (AD/	
9	R0741501	MAINS SUPPLY CABLE		22	R0742300	EXO® IQ LS CELL PROTECTIVE CAP BLUE	
10	R0768700	MALE 3 PIN PLUG "AUS" TYPE		23	R0740600	ELECTRODE TIGHTENING RING	
11	R0615400	HYDROXINATOR® CONTROL PCB		24	R0739000	ELECTRODE O-RING (X2)	
12	R0741400	M4X6 MM LOWER FIXING SCREW FOR MA		25	* R0635200	COMPLETE HYDROXINATOR® IQ 10 ELECT	

CODE **WW000005, WW000006, WW000008, WW000009, WW000055,
WW000056, WW000057, WW000058**

DESCRIPTION: **HYDROXINATOR®**

13	R0742500	LOWER COVER FOR STANDARD TRI	25	* R0635201	COMPLETE HYDROXINATOR® IQ 18 ELECT
14	R0743201	MAIN COVER FOR CONTROL UNIT WITH H	25	* R0635202	COMPLETE HYDROXINATOR® IQ 22 ELECT
15	R0741800	TRANSPARENT PLEXI PROTECTION COVE	25	* R0635203	COMPLETE HYDROXINATOR® IQ 35 ELECT
26	R0740200	EMPTY CELL BODY	30	R0770300	PVC 1 ½' ADAPTER TO GLUE (UK)
27	R0737700	BARREL UNION ORING (X2)	31	R0749600	3.5 MM FEMALE PLUG JACK
28	R0748700	BARREL UNION SET FOR TRI DN63 MM / 2'	32	R0737900	4-WAY CABLE CONNECTOR (X2)
29	R0768600	PVC DN50 MM ADAPTER TO GLUE	/	R0861500	RKIT EXO IQ COMPLETE POWER PACK FOI

CODE **WW000005, WW000006, WW000008, WW000009, WW000055,
WW000056, WW000057, WW000058**

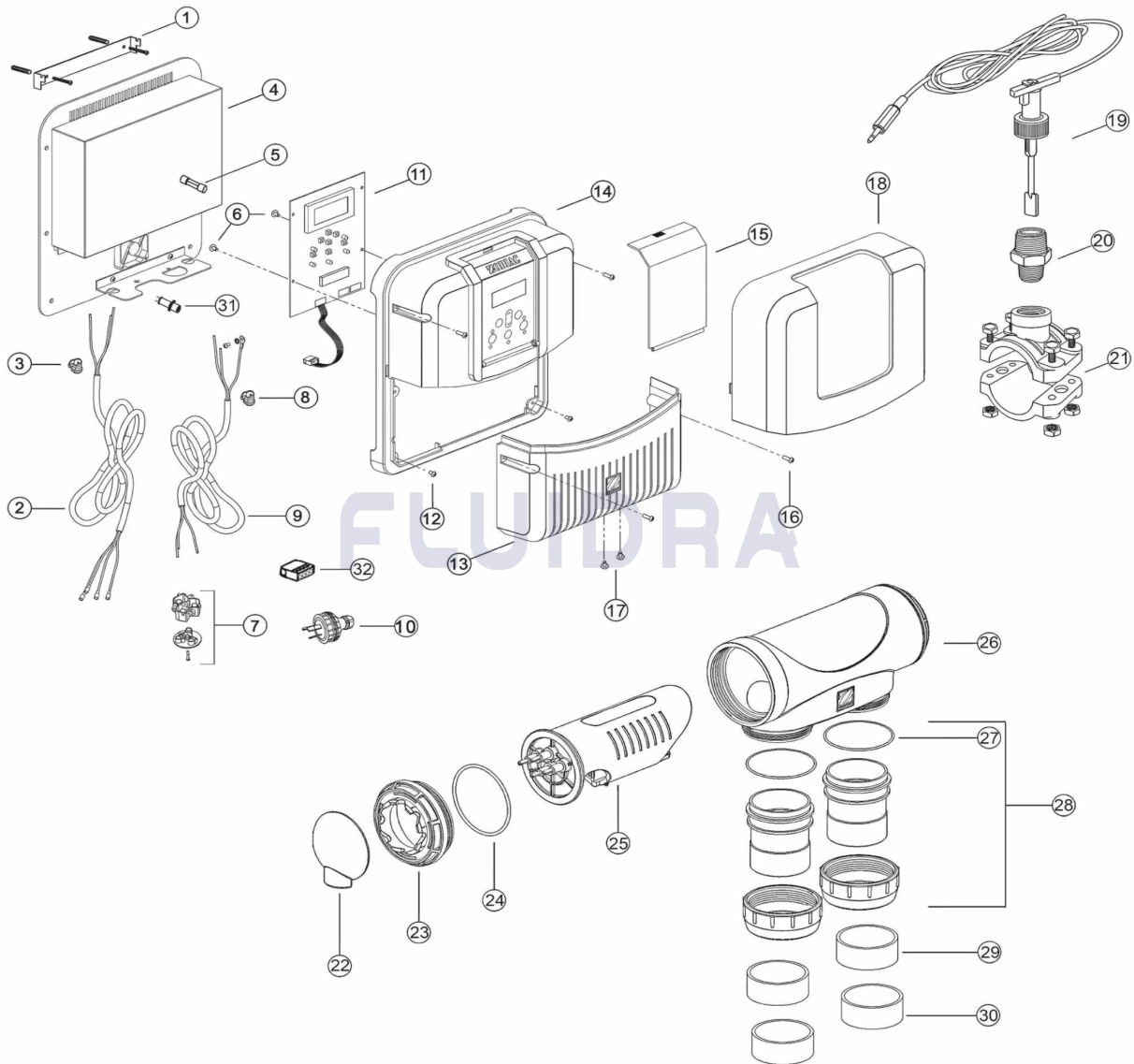
DESCRIPTION: **HYDROXINATOR®**

OBSERVATIONS

POS	CODE	OBSERVATIONS
19	* R0737500	FOR: WW000005,WW000006,WW000008,WW000009
19	* R0792800	FOR: WW000055,WW000056,WW000057,WW000058
25	* R0635200	FOR: WW000005,WW000055
25	* R0635201	FOR: WW000006,WW000056
25	* R0635202	FOR: WW000008,WW000057
25	* R0635203	FOR: WW000009,WW000058

CODICE **WW000005, WW000006, WW000008, WW000009, WW000055,
 WW000056, WW000057, WW000058**

DESCRIZIONE: **HYDROXINATOR®**



ITALIANO

POS	CODICE	DESCRIZIONE	QUANTITA'	POS	CODICE	DESCRIZIONE	QUANTITA'
1	R0740700	MOUNTING BRACKET TRI		16	R0743000	SCREW M4X20MM X 4	
2	R0740300	CABLE CELL OUTPUT TRI		17	R0742400	SCREW M3X5MM ZINC X 2	
3	R0768100	CABLE CORD GRIP EI/TRI		18	R0742600	DRESS COVER MAGNAPOOL	
4	W082981	GRUPPO ALIMENT. ELETTR. TRI		19	* R0737500	FLOW SWITCH ASSEMBLY SPARES	
5	W110201	FUSIBILE M205 2,5 A T		19	* R0792800	FLUSSOSTATO TRI	
6	R0743400	SCREWS TRI PCB *4		20	R0797200	CONNECTOR 3/4" X 1/2" FOR SIKA	
7	R0741300	TRI/FFC SOCKET OUTLET		21	W013010	COLLARE PRESA IN CARICO DN50MM	
8	R0742900	CORD GRIP GROMMET X 3		21	W013011	COLLARE PRESA IN CARICO DN63MM	
9	R0741501	TRI MAINS INPUT CABLE NO PLUG		22	R0742300	CAP - MAGNAPOOL CELL	
10	R0768700	PLUG GREY 3 PIN		23	R0740600	LOCKING RING TRI CELL	
11	R0615400	PCB CONTROL HYDROXINATOR		24	R0739000	O RING TRI CELL *2	
12	R0741400	SCREW M4*6 PAN PHIL Z/P X 4		25	* R0635200	ELECTRODE HYDROXINATOR 10	

*** SI FACCIÀ RIFERIMENTO AL FOGLIO DELLE OSSERVAZIONI**

CODICE **WW000005, WW000006, WW000008, WW000009, WW000055,
WW000056, WW000057, WW000058**

DESCRIZIONE: **HYDROXINATOR®**

13	R0742500	COVER BOTTOM TRI STD	25	* R0635201	ELECTRODE HYDROXINATOR 18
14	R0743201	HYDROXINATOR CHASSIS COVER	25	* R0635202	ELECTRODE HYDROXINATOR 22
15	R0741800	CLEAR COVER TRI	25	* R0635203	ELECTRODE HYDROXINATOR 35
26	R0740200	CELL HOUSING BLANK TRI	30	R0770300	REDUCING BUSH WHITE
27	R0737700	TRI BARREL UNION O RING *2	31	R0749600	SOCKET 3.5MM MONO EI/TRI
28	R0748700	UNION SET TRI CELL EU	32	R0737900	TRI/EI GREEN TERMINAL BLOCK X 2
29	R0768600	GREY REDUCING BUSH (GD) (SET OF 2)	/	R0861500	CENTRALINA COMPLETA RKIT EXO IQ PER

CODICE **WW000005, WW000006, WW000008, WW000009, WW000055,
WW000056, WW000057, WW000058**

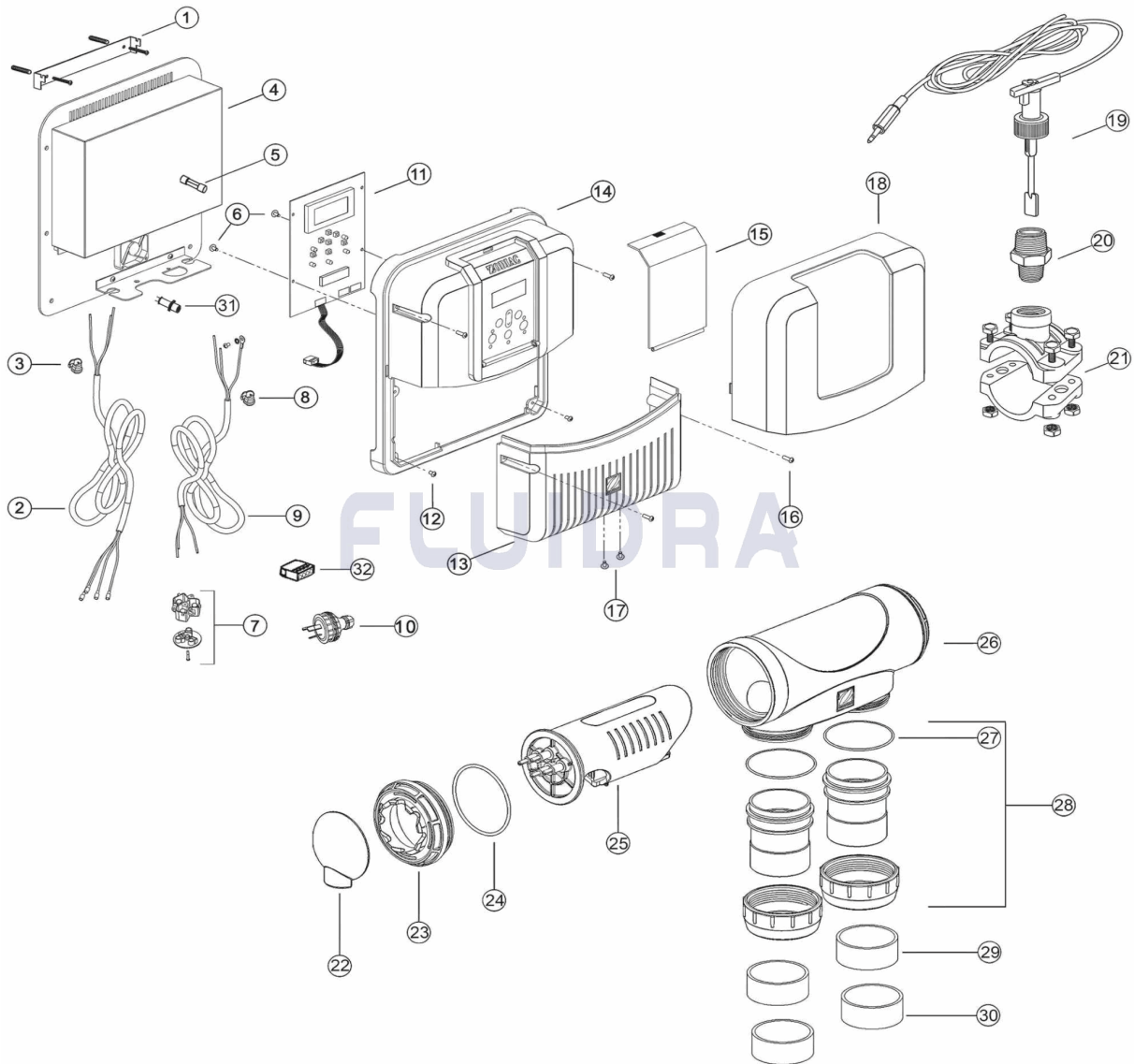
DESCRIZIONE: **HYDROXINATOR®**

OSSERVAZIONI

POS	CODICE	OSSERVAZIONI
19	* R0737500	PER: WW000005, WW000006, WW000008, WW000009
19	* R0792800	PER: WW000055, WW000056, WW000057, WW000058
25	* R0635200	PER: WW000005, WW000055
25	* R0635201	PER: WW000006, WW000056
25	* R0635202	PER: WW000008, WW000057
25	* R0635203	PER: WW000009, WW000058

CODE **WW000005, WW000006, WW000008, WW000009, WW000055,
WW000056, WW000057, WW000058**

BESCHREIBUNG: **HYDROXINATOR®**



DEUTSCH

POS	CODE	BESCHREIBUNG	MENGE	POS	CODE	BESCHREIBUNG	MENGE
1	R0740700	MOUNTING BRACKET TRI		16	R0743000	SCREW M4X20MM X 4	
2	R0740300	VERBINDUNGSKABEL STEUER-		17	R0742400	SCREW M3X5MM ZINC X 2	
3	R0768100	CABLE CORD GRIP EI/TRI		18	R0742600	GEHÄUSEDECKEL HYDROXINATOR	
4	W082981	TRAFÖEINHEIT		19	* R0737500	PADDELSCHALTER SWC	
5	W110201	SICHERUNG 2,5 A		19	* R0792800	PADDELSCHALTER TRI	
6	R0743400	SCREWS TRI PCB *4		20	R0797200	ADAPTER F. PADDELSCHALTER	
7	R0741300	BUCHSE FÜR 3-PIN STECKER		21	W013010	ANBOHRSCHELLE F. 50ER ROHR	
8	R0742900	CORD GRIP GROMMET X 3		21	W013011	ANBOHRSCHELLE Ø 63 MM KOMPLETT	
9	R0741501	TRI MAINS INPUT CABLE NO PLUG		22	R0742300	CAP - MAGNAPOOL CELL	
10	R0768700	PLUG GREY 3 PIN		23	R0740600	VERSCHLUßKAPPE F. ZELLE	
11	R0615400	PLATINE F. HYDROXINATOR		24	R0739000	O RING TRI CELL *2	
12	R0741400	SCREW M4*6 PAN PHIL Z/P X 4		25	* R0635200	ELEKTRODE HYDROXINATOR 10	

* SIEHE ANMERKUNGSBLATT

CODE **WW000005, WW000006, WW000008, WW000009, WW000055,
WW000056, WW000057, WW000058**

BESCHREIBUNG: **HYDROXINATOR®**

13	R0742500	COVER BOTTOM TRI STD	25	* R0635201	ELEKTRODE HYDROXINATOR 18
14	R0743201	HYDROXINATOR CHASSIS COVER	25	* R0635202	ELECTRODE HYDROXINATOR 22
15	R0741800	CLEAR COVER TRI	25	* R0635203	ZELLE HYDROXINATOR 35
26	R0740200	CELL HOUSING BLANK TRI	30	R0770300	PVC ADAPTER 1 1/2
27	R0737700	O-RING F. TRI/HYDROXINATOR	31	R0749600	BUCHSE
28	R0748700	UNION SET TRI CELL EU	32	R0737900	TRI/EI GREEN TERMINAL BLOCK X 2
29	R0768600	GREY REDUCING BUSH (GD) (SET OF 2)	/	R0861500	RKIT EXO IQ KOMPLETTES KRAFTPAKET Z

CODE **WW000005, WW000006, WW000008, WW000009, WW000055,
WW000056, WW000057, WW000058**

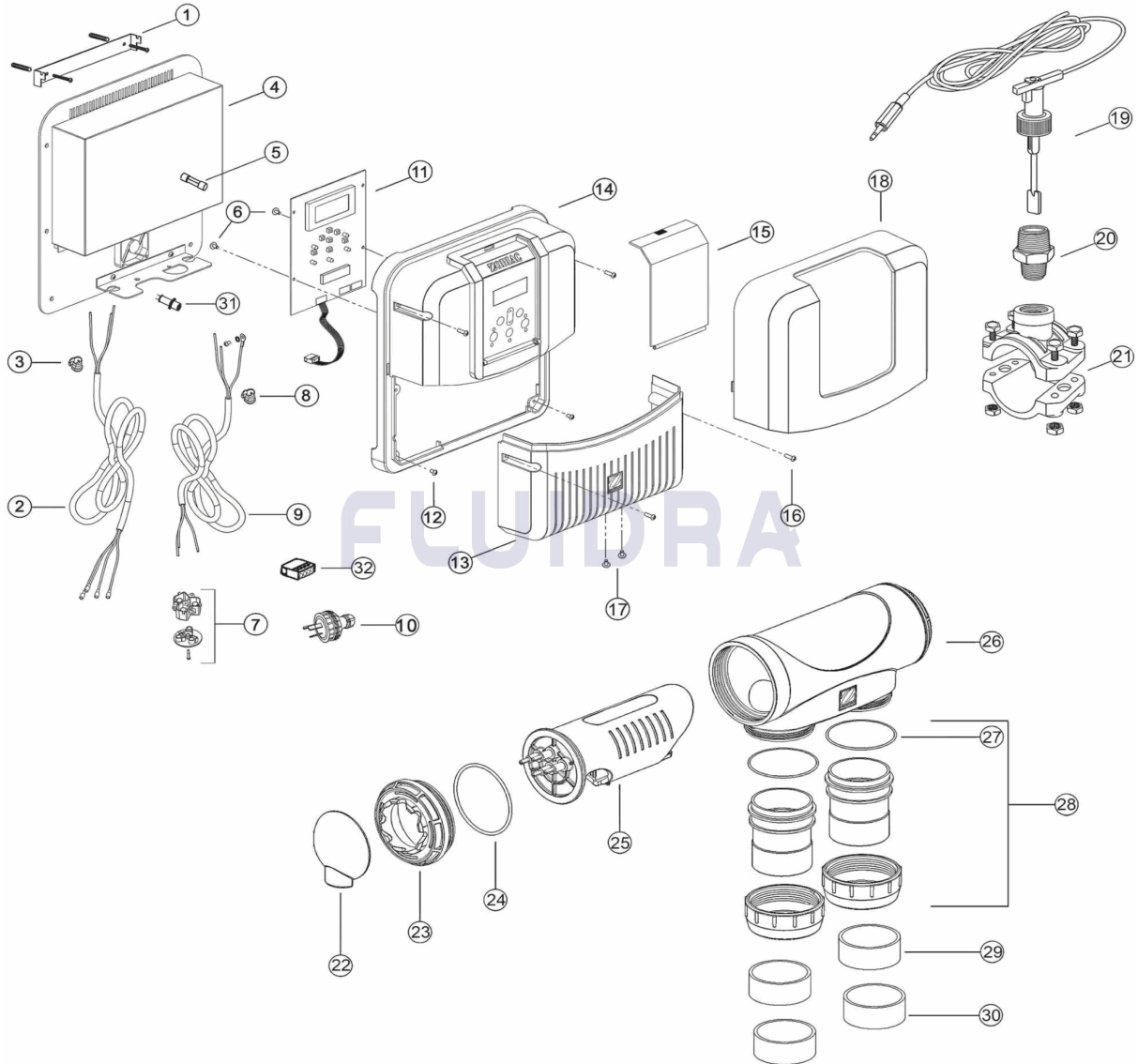
BESCHREIBUNG: **HYDROXINATOR®**

HINWEISE

POS	CODE	HINWEISE
19	* R0737500	FÜR: WW000005, WW000006, WW000008, WW000009
19	* R0792800	FÜR: WW000055, WW000056, WW000057, WW000058
25	* R0635200	FÜR: WW000005, WW000055
25	* R0635201	FÜR: WW000006, WW000056
25	* R0635202	FÜR: WW000008, WW000057
25	* R0635203	FÜR: WW000009, WW000058

CODIGO WW000005, WW000006, WW000008, WW000009, WW000055,
 WW000056, WW000057, WW000058

DESCRIÇÃO: HYDROXINATOR®



PORTUGUES

POS	CODIGO	DESCRIÇÃO	JANTIDADE	POS	CODIGO	DESCRIÇÃO	JANTIDADE
1	R0740700	MOUNTING BRACKET TRI		16	R0743000	SCREW M4X20MM X 4	
2	R0740300	CABLE CELL OUTPUT TRI		17	R0742400	SCREW M3X5MM ZINC X 2	
3	R0768100	CABLE CORD GRIP EI/TRI		18	R0742600	DRESS COVER MAGNAPOOL	
4	W082981	PLACA ELECT. ALIM. TRI		19	* R0737500	DETECTOR CAUDAL SIKA VKL05M	
5	W110201	FUSÍVEL M205 AT		19	* R0792800	DETETOR DE CAUDAL TRI	
6	R0743400	SCREWS TRI PCB *4		20	R0797200	ADAPTADOR 1/2"-3/4" DET CAUDAL	
7	R0741300	TRI/FFC SOCKET OUTLET		21	W013010	BRAÇADEIRA DM 50 M	
8	R0742900	CORD GRIP GROMMET X 3		21	W013011	BRAÇADEIRA DM 63 M	
9	R0741501	TRI MAINS INPUT CABLE NO PLUG		22	R0742300	CAP - MAGNAPOOL CELL	
10	R0768700	PLUG GREY 3 PIN		23	R0740600	ROSCA FIXACAO CELULA TRI	
11	R0615400	PCB CONTROL HYDROXINATOR		24	R0739000	O-RING TRI *2	
12	R0741400	SCREW M4*6 PAN PHIL Z/P X 4		25	* R0635200	ELECTRODO HYDROXINATOR 10	

*** VEJA A FICHA DE OBSERVAÇÕES**

CODIGO **WW000005, WW000006, WW000008, WW000009, WW000055,**
WW000056, WW000057, WW000058

DESCRIÇÃO: HYDROXINATOR®

13	R0742500	COVER BOTTOM TRI STD	25	* R0635201	ELECTRODO HYDROXINATOR 18
14	R0743201	HYDROXINATOR CHASSIS COVER	25	* R0635202	ELECTRODO HYDROXINATOR 22
15	R0741800	CLEAR COVER TRI	25	* R0635203	ELECTRODO HYDROXINATOR 35
26	R0740200	CORPO CELULA VAZIA TRI	30	R0770300	REDUCING BUSH WHITE
27	R0737700	TRI BARREL UNION O RING *2	31	R0749600	SOCKET 3.5MM MONO EI/TRI
28	R0748700	UNION SET TRI CELL EU	32	R0737900	TRI/EI GREEN TERMINAL BLOCK X 2
29	R0768600	GREY REDUCING BUSH (GD) (SET OF 2)	/	R0861500	RKIT EXO IQ COMPLETO PACK DE POTÊNC

CODIGO **WW000005, WW000006, WW000008, WW000009, WW000055,**
WW000056, WW000057, WW000058

DESCRIÇÃO: HYDROXINATOR®

OBSERVAÇÕES

POS	CODIGO	OBSERVAÇÕES
19	* R0737500	PARA: WW000005,WW000006,WW000008,WW000009
19	* R0792800	PARA: WW000055,WW000056,WW000057,WW000058
25	* R0635200	PARA: WW000005,WW000055
25	* R0635201	PARA: WW000006,WW000056
25	* R0635202	PARA: WW000008,WW000057
25	* R0635203	PARA: WW000009,WW000058