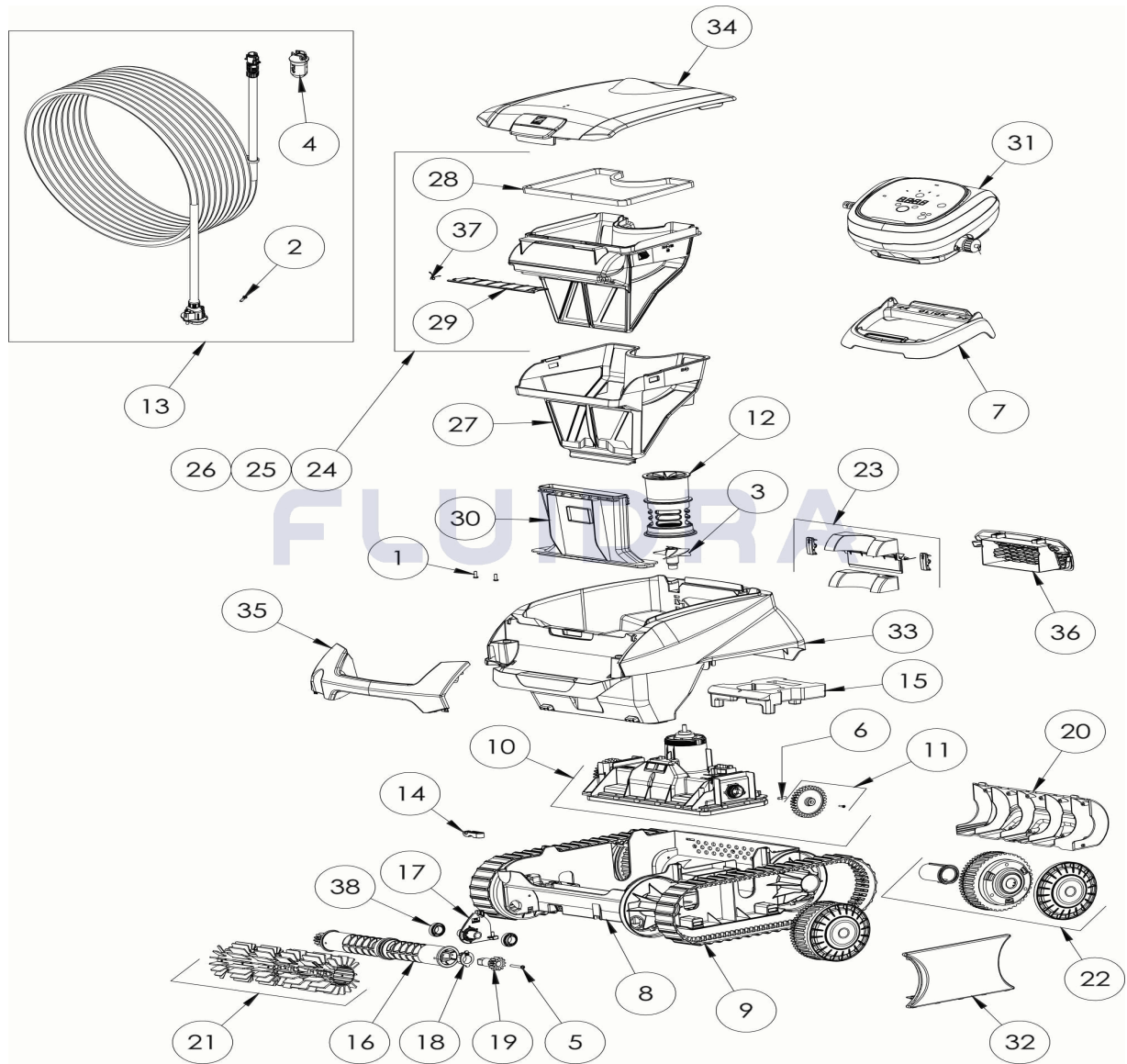


CODIGO **WR000449**

 DESCRIPCION: **RE 4300**

ESPAÑOL

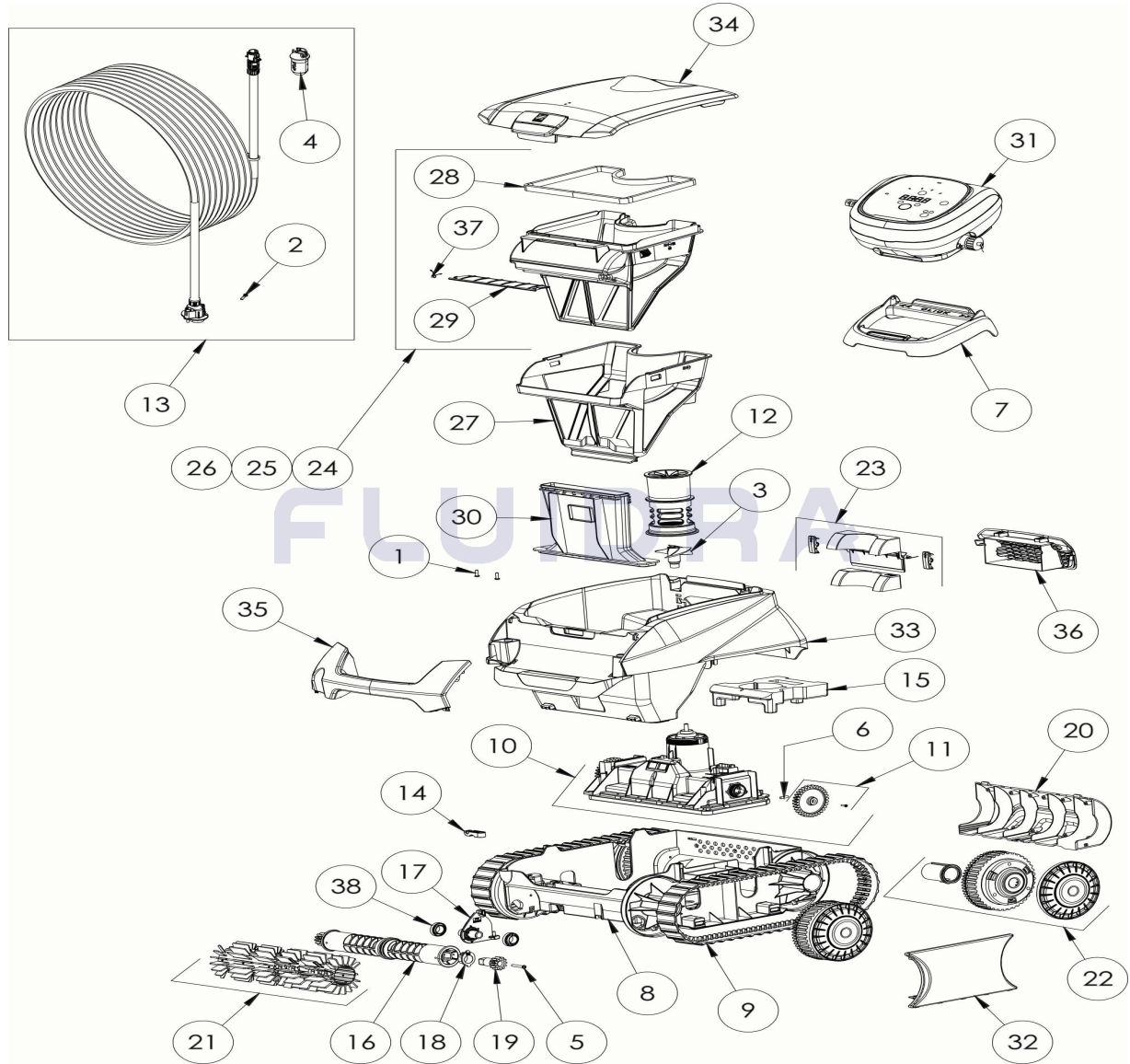
POS	CODIGO	DESCRIPCION	CANTIDAD	POS	CODIGO	DESCRIPCION	CANTIDAD
1	R0516700	TORNILLO 4*12 MM (PACK DE 5 UN.)	1	16	R0896400	RODILLO PORTACEPILLOS CN (*2)	1
2	R0608500	TORNILLO 4*16 MM (PACK DE 5 UN)	1	17	R0896500	CLIP FIJACIÓN DE RODILLOS CN	1
3	R0633200	HÉLICE CYCLONX	1	18	R0896600	KIT CASQUILLOS EJE CEPILLO EXTERIOR	1
4	R0634100	CUERPO CONECTOR 3 PINS	1	19	R0896700	KIT PIÑÓN EJE CEPILLO 12 DIENTES CN (*2)	1
5	R0638900	TORNILLO 4*25 MM (Pack 5 UN)	1	20	R0896800	TAPA TRASERA CHASIS CN	1
6	R0657900	PASADOR ø4 EJE BLOQUE MOTOR (PACK	1	21	R0896900	CEPILLOS CN GRIS CLARO (*2)	1
7	R0662600	SOPORTE UNIDAD DE CONTROL	1	22	R0897300	RUEDA CN	4
8	R0895100	CHASIS CN	1	23	R0897400	KIT TAPA VALVULA TRASERA CN	1
9	R0895200	ORUGA CN (*2)	1	24	R0897500	FILTRO CN 100µ - SINGLE	1
10	R0895400	BLOQUE MOTOR CN NO LED	1	25	R0897600	FILTRO CN 150µ - DUAL	1
11	R0895600	PIÑÓN CN (*2)	1	26	R0897700	FILTRO CN 200µ - SINGLE	1
12	R0895700	CANALIZADOR DE FLUJO CN	1	27	R0898100	FILTRO SUPERIOR CN 60µ - DUAL	1
13	R0895800	CABLE FLOTANTE CN 15M	1	28	R0898300	JUNTA TAPA DEL FILTRO CN	1

CODIGO **WR000449**DESCRIPCION: **RE 4300**

14	R0896200	BRIDA FIJACION DEL CABLE CN	1	29	R0898400	TAPA VALVULA DEL FILTRO CN	1
15	R0896300	FLOTADOR CHASIS CN	1	30	R0898500	CANALIZADOR DE ASPIRACION CN	1
31	R0899000	UNIDAD DE CONTROL CN TYPE 5 EU	1	35	R0903300	EMPUÑADURA CN B, GRIS CLARO	1
32	R0902400	TAPAS LATERALES CN PEQUEÑAS (*2)	1	36	R0903400	REJILLA TRASERA CN B, NEGRO	1
33	R0902600	CUERPO CN B, AZUL MARINO	1	37	R0905500	MUELLE TAPA VALVULA FILTROCN	1
34	R0902700	TAPA SUPERIOR CN B	1	38	W79034	COJINETE, (RUEDA Y MOTOR)	2

CODE **WR000449**

DESCRIPTION: RE 4300



FRANCAIS

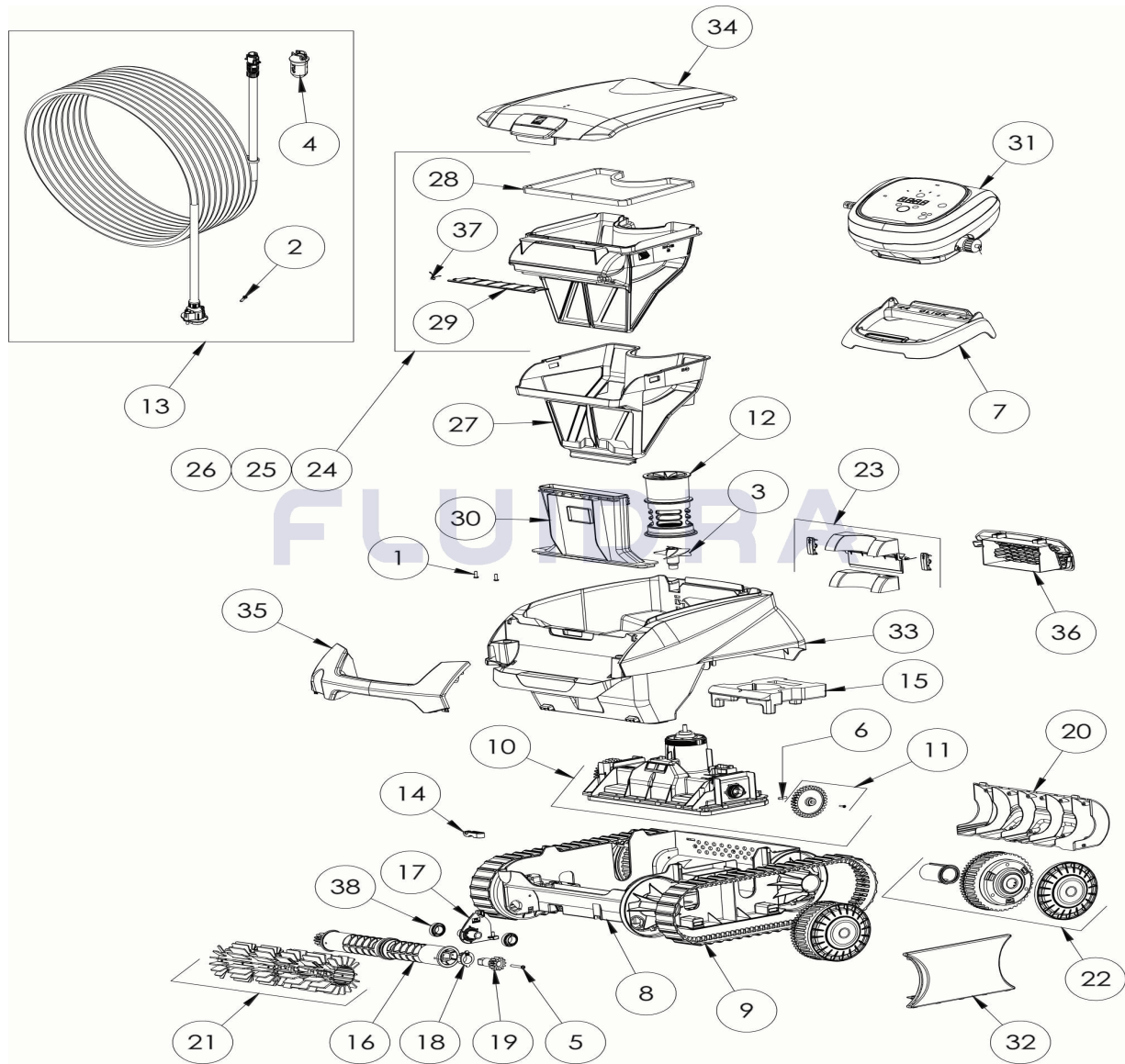
POS	CODE	DESCRIPTION	QUANTITE	POS	CODE	DESCRIPTION	QUANTITE
1	R0516700	VIS 4*12 MM (X5)	1	16	R0896400	SUPPORT BROSSE CN (*2)	1
2	R0608500	VIS 4*16 MM A4 (*5)	1	17	R0896500	PONTET BROSSE CN	1
3	R0633200	HELICE CYCLONX	1	18	R0896600	PALIER EXTERIEUR CN (*2)	1
4	R0634100	CAPOT CONNECTEUR 3 PTS	1	19	R0896700	PIGNON BROSSE CN (*2)	1
5	R0638900	VIS 4*25 MM (*5)	1	20	R0896800	CACHE BROSSE ARRIERE CN	1
6	R0657900	GOUPILLE ø4 AXE BLOC MOTEUR (*5)	1	21	R0896900	BROSSE CN GRIS CLAIR (*2)	1
7	R0662600	SOCLE COFFRET COMMANDE	1	22	R0897300	ROUE CN	4
8	R0895100	CHASSIS CN	1	23	R0897400	KIT CLAPET ARRIERE CN	1
9	R0895200	CHENILLE CN (*2)	1	24	R0897500	FILTRE CN 100µ - SINGLE	1
10	R0895400	BLOC MOTEUR CN NO LED	1	25	R0897600	FILTRE CN 150µ - DUAL	1
11	R0895600	PIGNON CN (*2)	1	26	R0897700	FILTRE CN 200µ - SINGLE	1
12	R0895700	GUIDE FLUX CN	1	27	R0898100	SUR-FILTRE 60µ - DUAL	1
13	R0895800	CABLE FLOTTANT CN 15M	1	28	R0898300	JOINT COUVERCLE CN	1

CODE **WR000449**DESCRIPTION: **RE 4300**

14	R0896200	ATTACHE CABLE CN	1	29	R0898400	CLAPET FILTRE CN	1
15	R0896300	FLOTTEUR CHASSIS CN	1	30	R0898500	CONDUIT ASPIRATION CN	1
31	R0899000	COFFRET DE COMMANDE CN TYPE 5 EU	1	35	R0903300	POIGNEE CN B GRIS CLAIR	1
32	R0902400	FLASQUE CN PETIT (*2)	1	36	R0903400	GRILLE ARRIERE CN B NOIR	1
33	R0902600	COQUE CN B BLEU NAVY	1	37	R0905500	RESSORT CLAPET FILTRE CN	1
34	R0902700	COUVERCLE CN B TRANSPARENT FUME	1	38	W79034	ROULEMENT (ROUE ET MOTEUR)	2

CODE **WR000449**

DESCRIPTION: RE 4300



ENGLISH

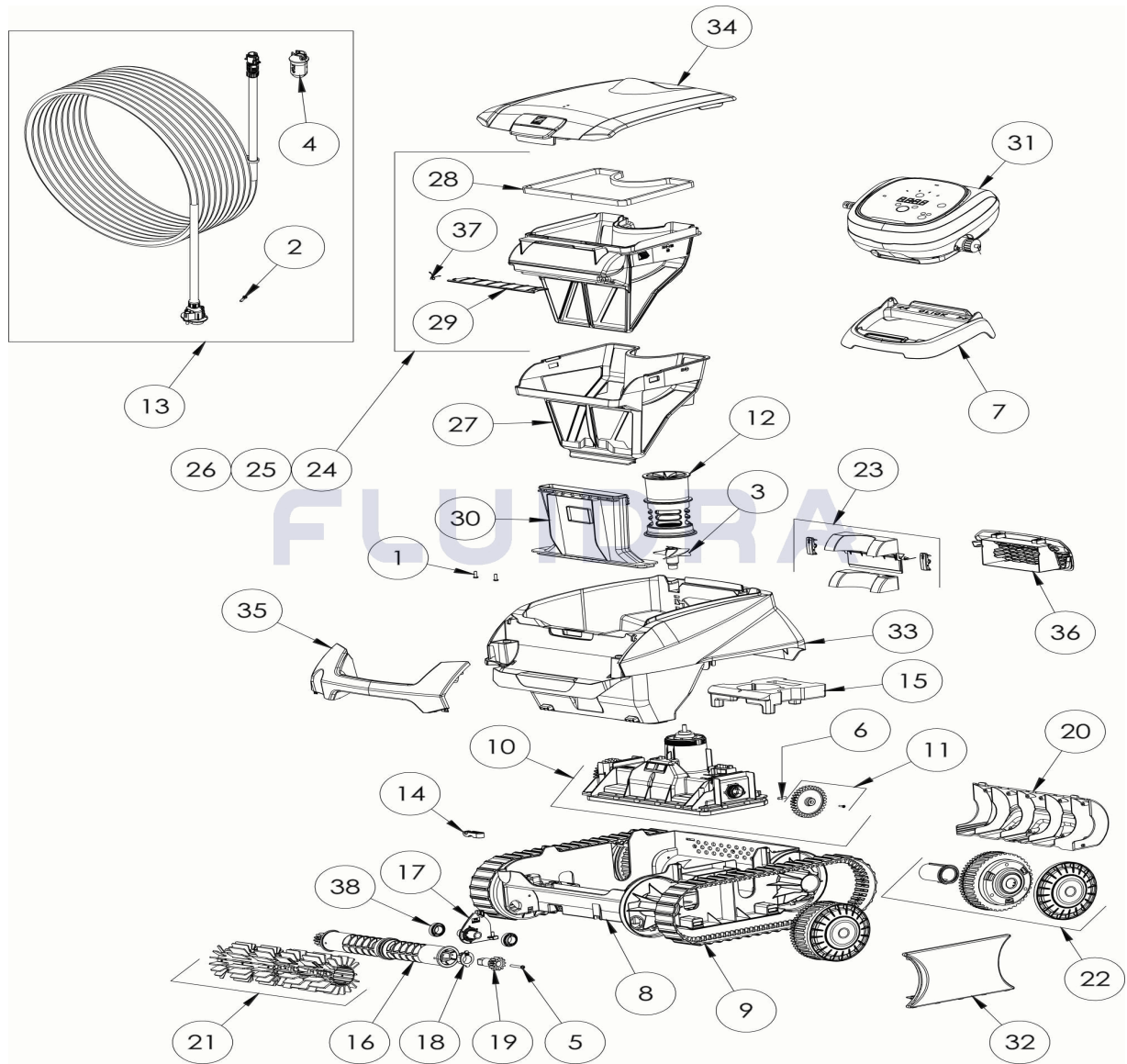
POS	CODE	DESCRIPTION	QUANTITY	POS	CODE	DESCRIPTION	QUANTITY
1	R0516700	SCREWS 4*12 MM (X5)	1	16	R0896400	BRUSH ROLLER CN (*2)	1
2	R0608500	SCREW 4*16MM (set of 5)	1	17	R0896500	ROLLER SUPPORT CN	1
3	R0633200	IMPELLER CYCLONX	1	18	R0896600	OUTER BEARING CN, (*2)	1
4	R0634100	CONNECTOR 3PTS BODY	1	19	R0896700	12 POINT GEAR, CN (*2)	1
5	R0638900	SCREW 4*25 MM (SET OF 5)	1	20	R0896800	REAR CHASSIS COVER CN	1
6	R0657900	MOTOR BLOCK SHAFT PIN Ø4 (SET OF 5)	1	21	R0896900	BRUSH SCRUBBER CN GREY (*2)	1
7	R0662600	CONTROL UNIT BASE	1	22	R0897300	WHEEL CN, BLACK	4
8	R0895100	LOWER HOUSING CHASSIS CN	1	23	R0897400	REAR FLAP DOOR KIT CN	1
9	R0895200	TRACK CN (*2)	1	24	R0897500	FILTER CN 100µ - SINGLE	1
10	R0895400	MOTOR BLOCK KIT CN	1	25	R0897600	FILTER CN 150µ - DUAL	1
11	R0895600	DRIVE GEAR KIT (*2)	1	26	R0897700	FILTER CN 200µ - SINGLE	1
12	R0895700	FLOW OUTLET CN	1	27	R0898100	OVER FILTER CN 60µ - DUAL	1
13	R0895800	FLOATING CABLE CN, 15M	1	28	R0898300	CANISTER SEAL CN	1

CODE **WR000449**

 DESCRIPTION: **RE 4300**

14	R0896200	CABLE STRAIN RELIEF CN	1	29	R0898400	CANISTER INLET FLAP CN	1
15	R0896300	CHASSIS FLOAT CN	1	30	R0898500	INLET CHANNEL CN	1
31	R0899000	CONTROL BOX CN TYPE 5 EU	1	35	R0903300	HANDLE CN B, LIGHT GREY	1
32	R0902400	SHORT FLANGE CN BLACK (*2)	1	36	R0903400	REAR GRID CN B, BLACK	1
33	R0902600	BODY HOUSING CN B, NAVY BLUE	1	37	R0905500	CANISTER INLET FLAP SPRING CN	1
34	R0902700	COMPLETE COVER CN B, SMOKE Z	1	38	W79034	BEARING (WHEEL & ENGINE)	2

CODICE **WR000449**

 DESCRIZIONE: **RE 4300**

ITALIANO

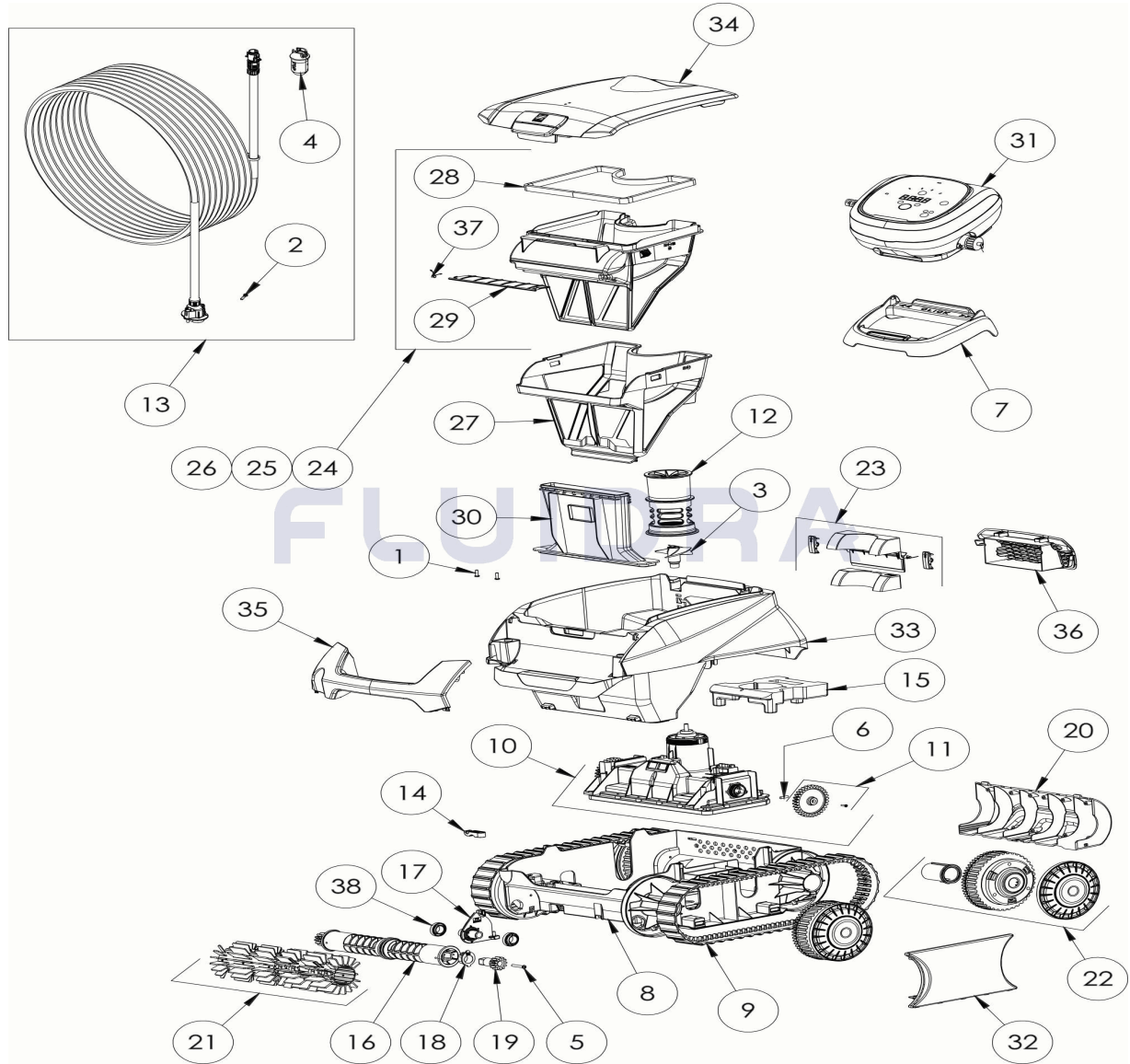
POS	CODICE	DESCRIZIONE	QUANTITA'	POS	CODICE	DESCRIZIONE	QUANTITA'
1	R0516700	VITE 4*12 MM (*5)	1	16	R0896400	SUPPORTO SPAZZOLA CN (*2)	1
2	R0608500	VITE 4*16 MM A4 (*5)	1	17	R0896500	PONTICELLO SPAZZOLA CN	1
3	R0633200	ELICA CYCLONX	1	18	R0896600	CUSCINETTO ESTERNO CN (*2)	1
4	R0634100	ADATTATORE CAVO 3 PTS	1	19	R0896700	PIGNONE SPAZZOLA CN (*2)	1
5	R0638900	VITE 4*25 MM (*5)	1	20	R0896800	COPERCHIO POSTERIORE TELAIO CN	1
6	R0657900	KIT 5 PIN ALBERO MOTORE	1	21	R0896900	SPAZZOLE CN GRIGIO CHIARO (*2)	1
7	R0662600	PIEDISTALLO QUADRO COMANDI	1	22	R0897300	RUOTA CN	4
8	R0895100	TELAIO	1	23	R0897400	KIT CLAPET POSTERIORE CN	1
9	R0895200	CINGOLI CN (*2)	1	24	R0897500	FILTRO CN 100µ - SINGLE	1
10	R0895400	BLOCCO MOTORE CN NO LED	1	25	R0897600	FILTRO CN 150µ - DUAL	1
11	R0895600	PIGNONE CN (*2)	1	26	R0897700	FILTRO CN 200µ - SINGLE	1
12	R0895700	GUIDA FLUSSO CN	1	27	R0898100	FILTRO CN 60µ - DUAL	1
13	R0895800	CAVO GALLEGGIANTE CN 15M	1	28	R0898300	GUARNIZIONE COPERCHIO CN	1

CODICE **WR000449**DESCRIZIONE: **RE 4300**

14	R0896200	AGGANCI CAVO CN	1	29	R0898400	CLAPET FILTRO CN	1
15	R0896300	FLOTTANTE TELAIO CN	1	30	R0898500	CONDOTTO ASPIRAZIONE CN	1
31	R0899000	QUADRO COMANDI CN TYPE 5 EU	1	35	R0903300	MANIGLIA CN B GRIGIO CHIARO	1
32	R0902400	FLANGE CN SMALL (*2)	1	36	R0903400	GRIGLIA POSTERIORE CN B, NERA	1
33	R0902600	SCOCCA CN B BLU NAVY	1	37	R0905500	MOLLA CLAPET FILTRO	1
34	R0902700	COPERCHIO CN B	1	38	W79034	CUSCINETTO A SFERA	2

CODE **WR000449**

BESCHREIBUNG: RE 4300



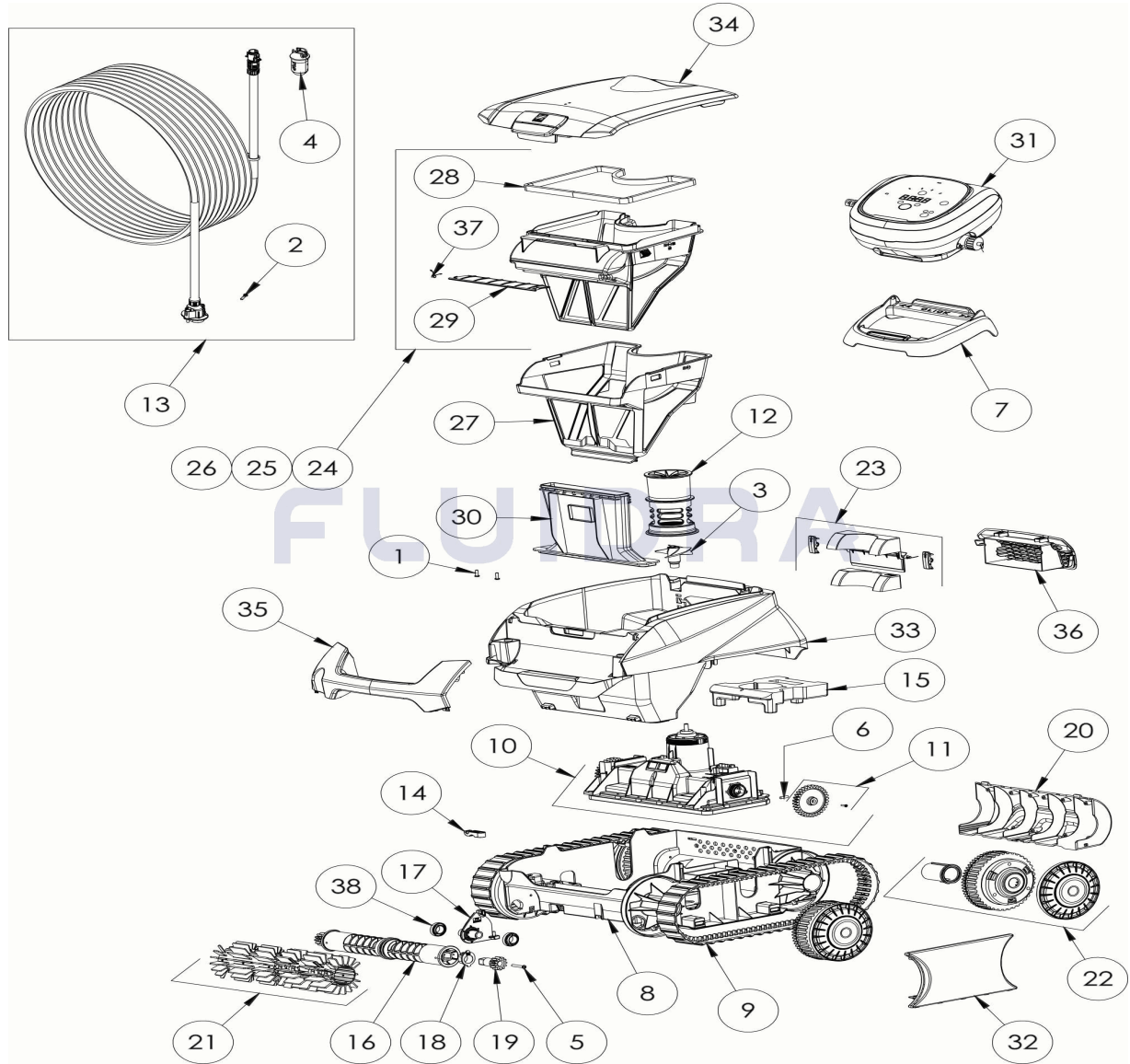
DEUTSCH

POS	CODE	BESCHREIBUNG	MENGE	POS	CODE	BESCHREIBUNG	MENGE
1	R0516700	SCHRAUBE 4 * 12 MM(SET mit 5 Stk.)	1	16	R0896400	BÜRSTENWALZE CN (*2)	1
2	R0608500	SCHRAUBE 4 * 16 MM, A4 (SET mit 5 Stk.)	1	17	R0896500	BÜRSTENANKER CN	1
3	R0633200	TURBINE (CYCLONX)	1	18	R0896600	LAGER AUSSEN CN (* 2)	1
4	R0634100	STECKERGEHÄUSE (CYCLONX)	1	19	R0896700	ZAHNRAD 12 ZÄHNE CN	1
5	R0638900	SCHRAUBE 4 * 25 MM, A2 (SET mit 5 Stk.)	1	20	R0896800	GEHÄUSEABDECKUNG HINTEN CN	1
6	R0657900	BEFESTIGUNGSSTIFT FÜR MOTORBLOCK	1	21	R0896900	BÜRSTEN CN HELLGRAU (*2)	1
7	R0662600	HALTERUNG STEUERBOX	1	22	R0897300	LENKRAD CN	4
8	R0895100	GEHÄUSE UNTERTEIL CN	1	23	R0897400	VENTLKLAPPENSET CN	1
9	R0895200	RAUPENBAND CN (*2)	1	24	R0897500	FILTER CN 100µ - SINGLE	1
10	R0895400	MOTORBLOCK CN NO LED	1	25	R0897600	FILTER CN 150µ - DUAL	1
11	R0895600	ZAHNRAD CN (*2)	1	26	R0897700	FILTER CN 200µ - SINGLE	1
12	R0895700	STRÖMUNGSDÜSE CN	1	27	R0898100	FILTERKORB AUSSEN CN 60µ - DUAL	1
13	R0895800	SCHWIMMKABEL KOMPLETT CN 15M	1	28	R0898300	FILTERKORBDICHTUNG CN	1

CODE **WR000449**BESCHREIBUNG: **RE 4300**

14	R0896200	KABELZUGENTLASTUNG CN	1	29	R0898400	FILTERKLAPPE CN	1
15	R0896300	SCHWIMMKÖRPER CHASSIS CN	1	30	R0898500	SAUGKANAL CN	1
31	R0899000	STEUERBOX CN TYPE 5 EU	1	35	R0903300	GRIFFSTÜCK CN B HELLGRAU	1
32	R0902400	SEITENTEILE KLEIN SCHWARZ CN (*2)	1	36	R0903400	GITTER HINTEN CN B, SCHWARZ	1
33	R0902600	GEHÄUSE CN B MARINEBLAU	1	37	R0905500	FILTERKLAPPENFEDER CN	1
34	R0902700	FILTERDECKEL CN B TRANSPARENT	1	38	W79034	KUGELLAGER	2

CODIGO **WR000449**

 DESCRIÇÃO: **RE 4300**

PORTUGUES

POS	CODIGO	DESCRIÇÃO	JANTIDADE	POS	CODIGO	DESCRIÇÃO	JANTIDADE
1	R0516700	PARAFUSO 4*12 MM (Pack 5 UN)	1	16	R0896400	ROLO PORTA-ESCOVAS CN (*2)	1
2	R0608500	PARAFUSO 4*16 MM A4 (Pack 5 UN)	1	17	R0896500	CLIP FIXAÇÃO ROLOS CN	1
3	R0633200	HÉLICE CYCLONX	1	18	R0896600	ROLAMENTO EXTERIOR CN (*2)	1
4	R0634100	CORPO LIGAÇÃO 3 PINS	1	19	R0896700	PINHÃO 12 DENTES, CN (*2)	1
5	R0638900	PARAFUSO 4*25 MM (Pack 5 UN)	1	20	R0896800	TAMPA TRASEIRA CHASSIS CN	1
6	R0657900	PASSADOR Ø4 EIXO BLOCO MOTOR (PAC)	1	21	R0896900	ESCOVAS CN CINZA CLARO (*2)	1
7	R0662600	SUPORTE CAIXA DE COMANDOS	1	22	R0897300	RODA CN	4
8	R0895100	CHASSIS	1	23	R0897400	KIT DE VÁLVULA TRASEIRA CN	1
9	R0895200	LAGARTAS CN (*2)	1	24	R0897500	FILTRO CN 100µ - SINGLE	1
10	R0895400	BLOCO MOTOR CN NO LED	1	25	R0897600	FILTRO CN 150µ - DUAL	1
11	R0895600	RODA DENTADA CN (*2)	1	26	R0897700	FILTRO CN 200µ - SINGLE	1
12	R0895700	CANALIZADOR DE FLUXO CN	1	27	R0898100	FILTRO CN 60µ - DUAL	1
13	R0895800	CABO FLUTUANTE CN 15M	1	28	R0898300	JUNTA DE TAMPA CN	1

CODIGO **WR000449**DESCRIÇÃO: **RE 4300**

14	R0896200	FLANGE DE FIXAÇÃO DE CABO CN	1	29	R0898400	VÁLVULA DO FILTRO CN	1
15	R0896300	FLUTUADOR CHASSIS CN	1	30	R0898500	BOCA DE ASPIRAÇÃO CN	1
31	R0899000	UNIDADE DE CONTROLO CN TYPE 5 EU	1	35	R0903300	PEGA CN B CINZA CLARO	1
32	R0902400	TAMPAS LATERAIS CN SMALL (*2)	1	36	R0903400	GRELHA TRASEIRA CN B, PRETO	1
33	R0902600	CORPO CN B AZUL NAVY	1	37	R0905500	MOLA DA VÁLVULA DO FILTRO CN	1
34	R0902700	TAMPA SUPERIOR CN B	1	38	W79034	ROLAMENTO DE ESFERAS	2