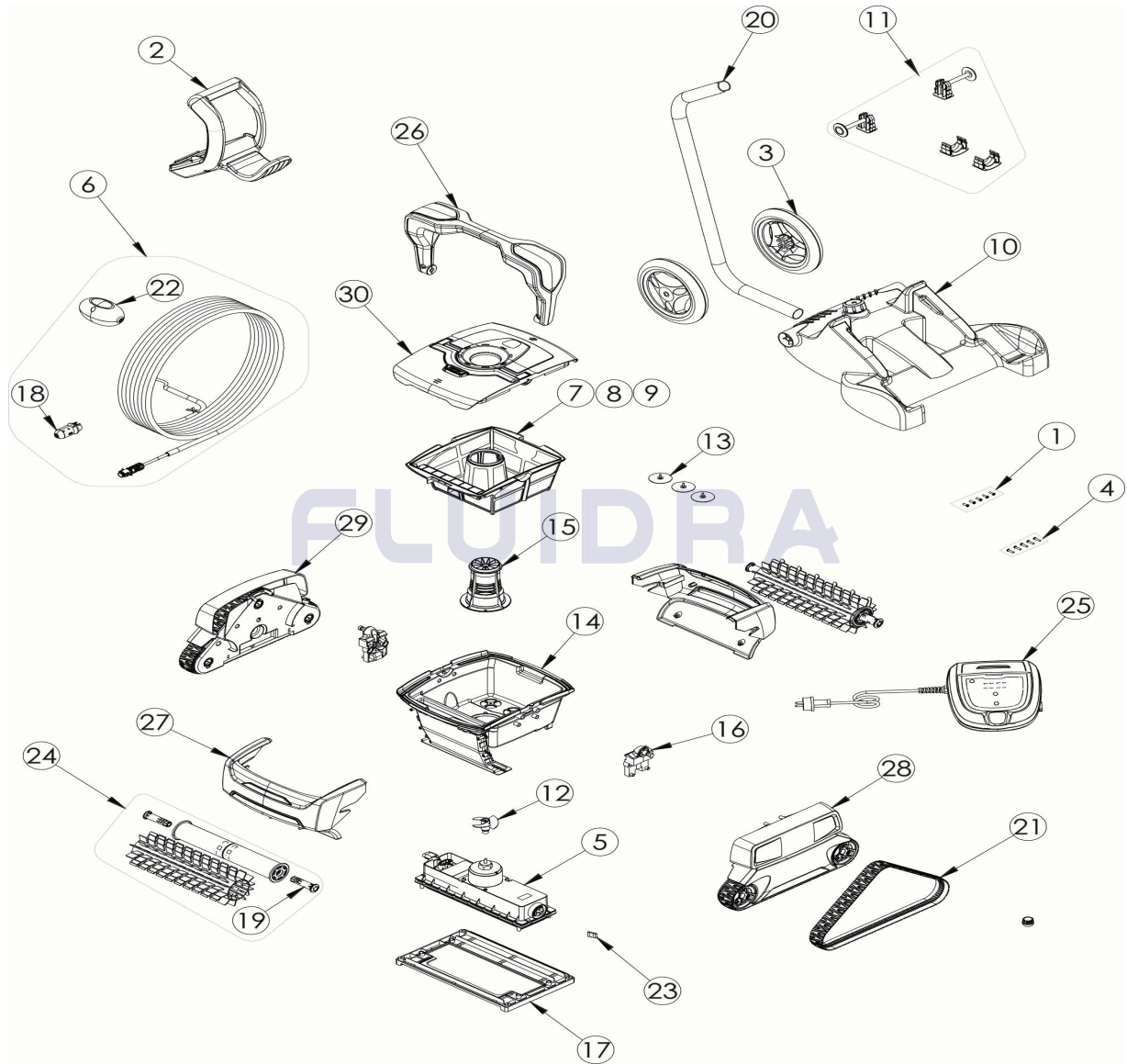


CODIGO **WR000433**

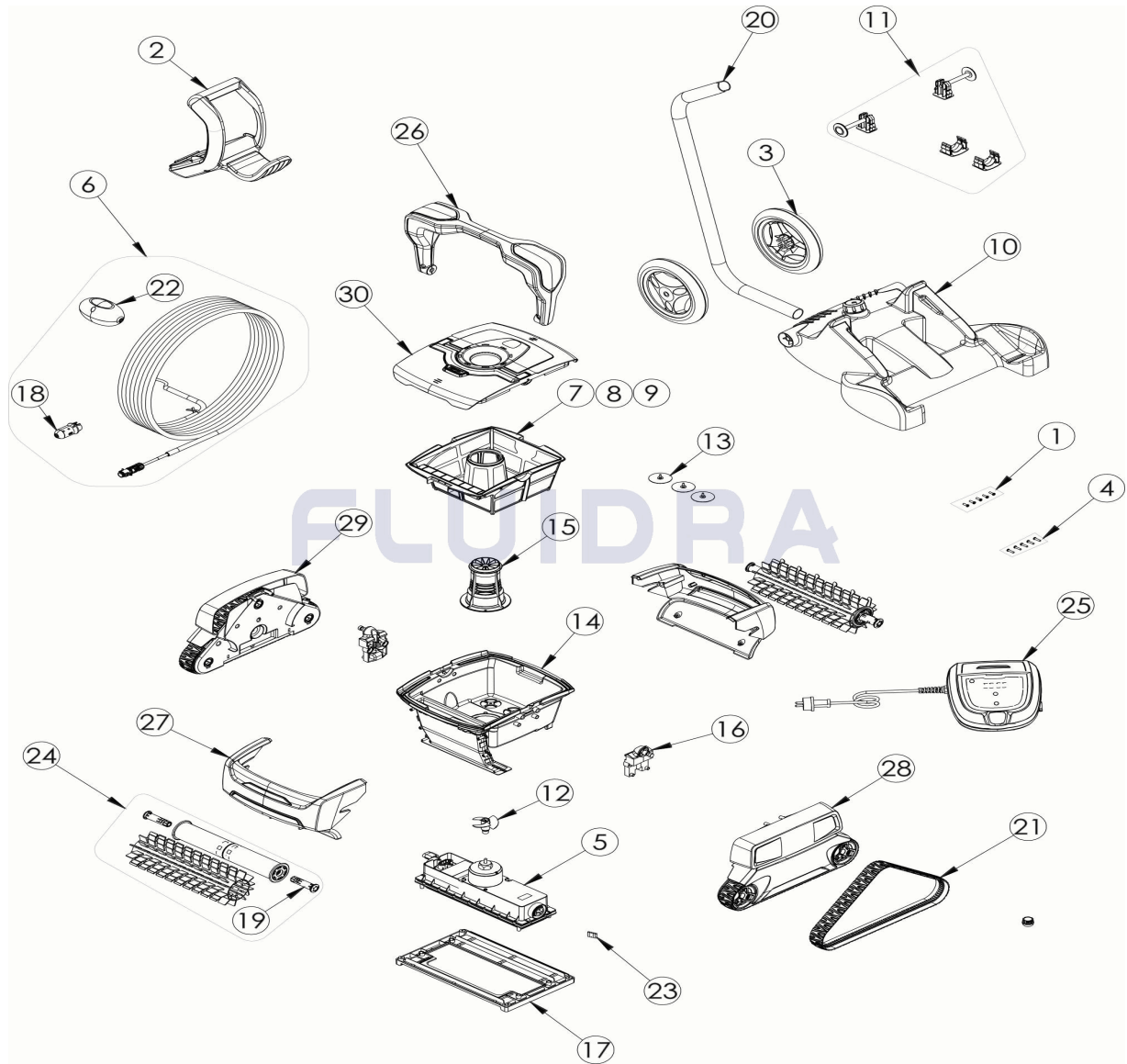
 DESCRIPCION: **W 445**

ESPAÑOL

| POS | CODIGO | DESCRIPCION | CANTIDAD | POS | CODIGO | DESCRIPCION | CANTIDAD |
|-----|----------|------------------------------------|----------|-----|----------|--------------------------------------|----------|
| 1 | R0516700 | TORNILLO 4*12 MM (PACK DE 5 UN.) | 1 | 16 | R0633600 | SOPORTE EMPUÑADURA RAL7021 | 2 |
| 2 | R0565000 | EMPUÑADURA CARRO DE TRANSPORTE | 1 | 17 | R0633800 | PLACA INFERIOR CYCLONX | 1 |
| 3 | R0565100 | RUEDAS CARRO DE TRANSPORTE (Pack 2 | 1 | 18 | R0634100 | CUERPO CONECTOR 3 PINS | 1 |
| 4 | R0608500 | TORNILLO 4*16 MM (PACK DE 5 UN | 1 | 19 | R0634300 | CLIP FIJACIÓN RUEDA CYCLONX | 1 |
| 5 | R0632000 | BLOQUE MOTOR CYCLONX | 1 | 20 | R0634400 | TUBO CARRO DE TRANSPORTE CYCLONX | 1 |
| 6 | R0632101 | CABLE FLOTANTE 18M CYCLONX | 1 | 21 | R0657700 | ORUGA C GP (PACK DE 2 UN) | 1 |
| 7 | R0632700 | FILTRO 100µ C GP | 1 | 22 | R0657800 | FLOTADORES CABLE C GP | 1 |
| 8 | R0632701 | FILTRO 200µ C GP | 1 | 23 | R0657900 | PASADOR Ø4 EJE BLOQUE MOTOR (PACK ! | 1 |
| 9 | R0632702 | FILTRO 60µ C GP | 1 | 24 | R0722300 | CEPILLOS KIT C PVC (*2) | 1 |
| 10 | R0632800 | BASE CARRO CYCLONX | 1 | 25 | R0910100 | UNIDAD DE CONTROL TIPO 1 C | 1 |
| 11 | R0632900 | KIT ACCESORIOS CARRO CYCLONX | 1 | 26 | R0959000 | EMPUÑADURA B, GRIS CLARO-AZUL OSCU | 1 |
| 12 | R0633200 | HÉLICE CYCLONX | 1 | 27 | R0959100 | CARCARSA COMPLETA B, GRIS CLARO RAL! | 2 |
| 13 | R0633300 | GOMA DE EVACUACIÓN CYCLONX (Pack 3 | 1 | 28 | R0959200 | CASSETTE LIBRE RAL9022 RAL9022 | 1 |

CODIGO **WR000433**DESCRIPCION: **W 445**

| | | | | | | | |
|----|----------|------------------------------|---|----|----------|-----------------------------------|---|
| 14 | R0633400 | CARCASA INTERIOR CYCLONX | 1 | 29 | R0959300 | CASSETTE LADO MOTOR TRACCIÓN GRIS | 1 |
| 15 | R0633500 | CANALIZADOR DE FLUJO CYCLONX | 1 | 30 | R0959400 | TAPA SUPERIOR FILTRO C B-5 | 1 |

CODE **WR000433**

 DESCRIPTION: **W 445**

FRANCAIS

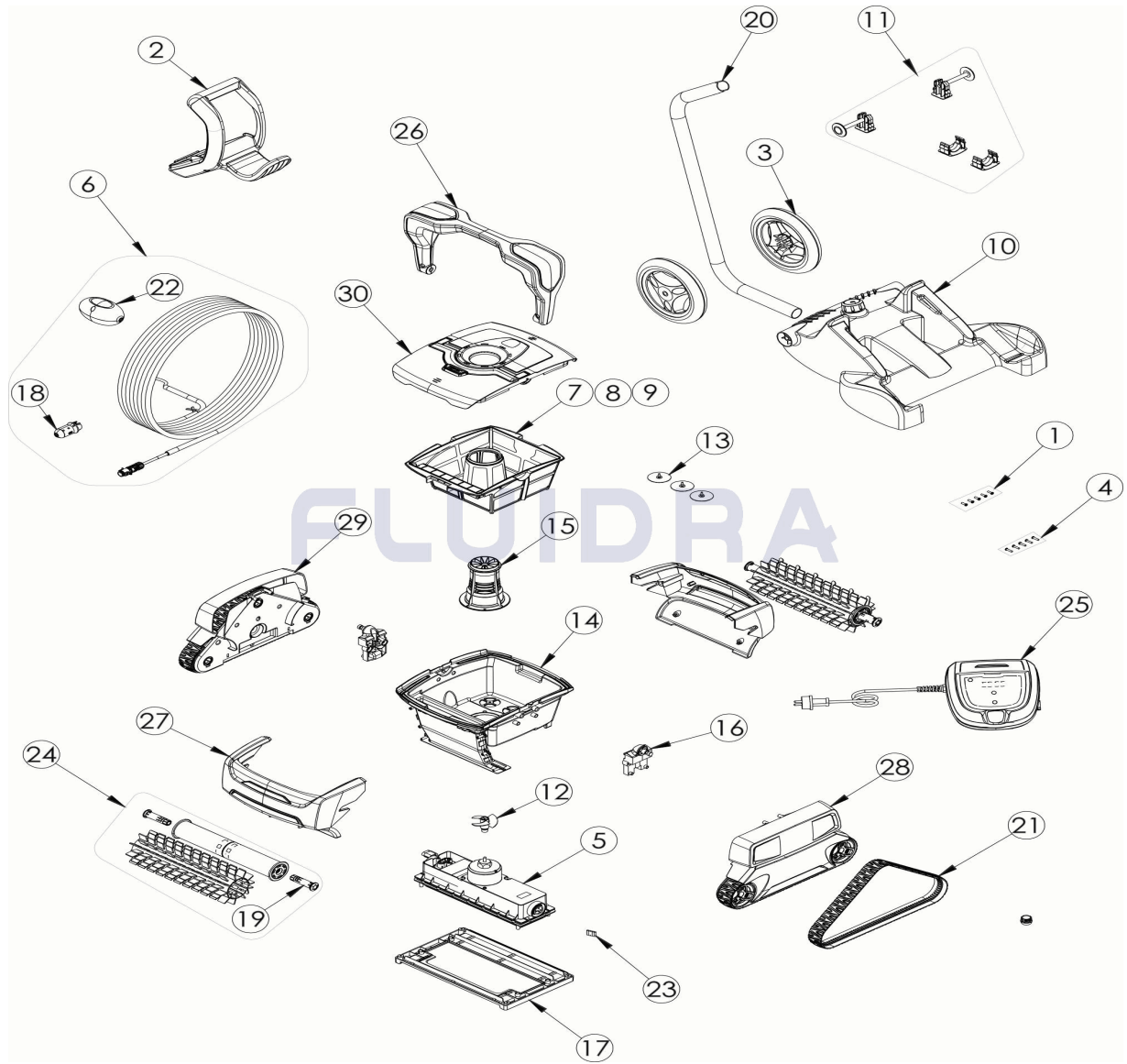
| POS | CODE | DESCRIPTION | QUANTITE | POS | CODE | DESCRIPTION | QUANTITE |
|-----|----------|--------------------------------|----------|-----|----------|------------------------------------|----------|
| 1 | R0516700 | VIS 4*12 MM (X5) | 1 | 16 | R0633600 | AXE POIGNEE RAL7021 | 2 |
| 2 | R0565000 | POIGNEE CHARIOT | 1 | 17 | R0633800 | PLAQUE INFERIEURE CYCLONX | 1 |
| 3 | R0565100 | ROUES CHARIOT (*2) | 1 | 18 | R0634100 | CAPOT CONNECTEUR 3 PTS | 1 |
| 4 | R0608500 | VIS 4*16 MM A4 (*5) | 1 | 19 | R0634300 | VERROUILLAGE ROUE CYCLONX | 1 |
| 5 | R0632000 | BLOC MOTEUR CYCLONX | 1 | 20 | R0634400 | TUBE CHARIOT CYCLONX | 1 |
| 6 | R0632101 | CABLE FLOTTANT 18M CYCLONX | 1 | 21 | R0657700 | CHENILLE C GP (*2) | 1 |
| 7 | R0632700 | FILTRE 100µ C GP | 1 | 22 | R0657800 | FLOTTEUR CABLE GP | 1 |
| 8 | R0632701 | FILTRE 200µ C GP | 1 | 23 | R0657900 | GOUPILLE ø4 AXE BLOC MOTEUR (*5) | 1 |
| 9 | R0632702 | FILTRE 60µ C GP | 1 | 24 | R0722300 | KIT BROSSES C PVC (*2) | 1 |
| 10 | R0632800 | EMBASE CHARIOT CYCLONX | 1 | 25 | R0910100 | COFFRET COMMANDE TYPE 1 C | 1 |
| 11 | R0632900 | ACCESSOIRES CHARIOT CYCLONX | 1 | 26 | R0959000 | POIGNEE B GRIS CLAIR-BLEU FONCÉ | 1 |
| 12 | R0633200 | HELICE CYCLONX | 1 | 27 | R0959100 | COQUE B GRIS CLAIR RAL9022 | 2 |
| 13 | R0633300 | CLAPET EVACUATION CYCLONX (*3) | 1 | 28 | R0959200 | CASSETTE W LIBRE C RAL9022 RAL9022 | 1 |

CODE **WR000433**DESCRIPTION: **W 445**

| | | | | | | | |
|----|----------|--------------------|---|----|----------|-------------------------------------|---|
| 14 | R0633400 | BOL CYCLONX | 1 | 29 | R0959300 | CASSETTE W MOTEUR C RAL9022 RAL902' | 1 |
| 15 | R0633500 | GUIDE FLUX CYCLONX | 1 | 30 | R0959400 | COUVERCLE COMPLET B-5 | 1 |

CODE **WR000433**

DESCRIPTION: **W 445**



ENGLISH

| POS | CODE | DESCRIPTION | QUANTITY | POS | CODE | DESCRIPTION | QUANTITY |
|-----|----------|------------------------------------|----------|-----|----------|-------------------------------------|----------|
| 1 | R0516700 | SCREWS 4*12 MM (X5) | 1 | 16 | R0633600 | HANDLE SHAFT CYCLONX | 2 |
| 2 | R0565000 | TROLLEY HANDLE | 1 | 17 | R0633800 | BOTTOM PLATE CYCLONX | 1 |
| 3 | R0565100 | TROLLEY WHEELS (*2) | 1 | 18 | R0634100 | CONNECTOR 3PTS BODY | 1 |
| 4 | R0608500 | SCREW 4*16MM (set of 5) | 1 | 19 | R0634300 | TRACK WHEEL KEY CYCLONX | 1 |
| 5 | R0632000 | COMPLETE MOTOR BLOCK CYCLONX | 1 | 20 | R0634400 | TROLLEY TUBE CYCLONX | 1 |
| 6 | R0632101 | COMPLETE FLOATING CABLE CYCLONX 1. | 1 | 21 | R0657700 | TRACK C GP (SET OF 2) | 1 |
| 7 | R0632700 | COMPLETE FILTER 100µ C GP | 1 | 22 | R0657800 | CABLE FLOAT C GP | 1 |
| 8 | R0632701 | COMPLETE FILTER 200µ C GP | 1 | 23 | R0657900 | MOTOR BLOCK SHAFT PIN Ø4 (SET OF 5) | 1 |
| 9 | R0632702 | COMPLETE FILTER 60µ C GP | 1 | 24 | R0722300 | BRUSH KIT C PVC (*2) | 1 |
| 10 | R0632800 | COMPLETE LOWER PART TROLLEY CYCL(| 1 | 25 | R0910100 | CONTROL BOX TYPE 1 C | 1 |
| 11 | R0632900 | TROLLEY CYCLONX ACCESSORIES | 1 | 26 | R0959000 | COMPLETE HANDLE B, LIGHT GREY-DARK | 1 |
| 12 | R0633200 | IMPELLER CYCLONX | 1 | 27 | R0959100 | BODY B, LIGHT GREY RAL9022 | 2 |
| 13 | R0633300 | EXHAUST VALVE CYCLONX (SET OF 3) | 1 | 28 | R0959200 | COMPLETE FREE GEAR BOX W C RAL9022 | 1 |



PARTS BREAKDOWN

REV.: 0
DATE: 19/11/2021
SHEET: 6/12

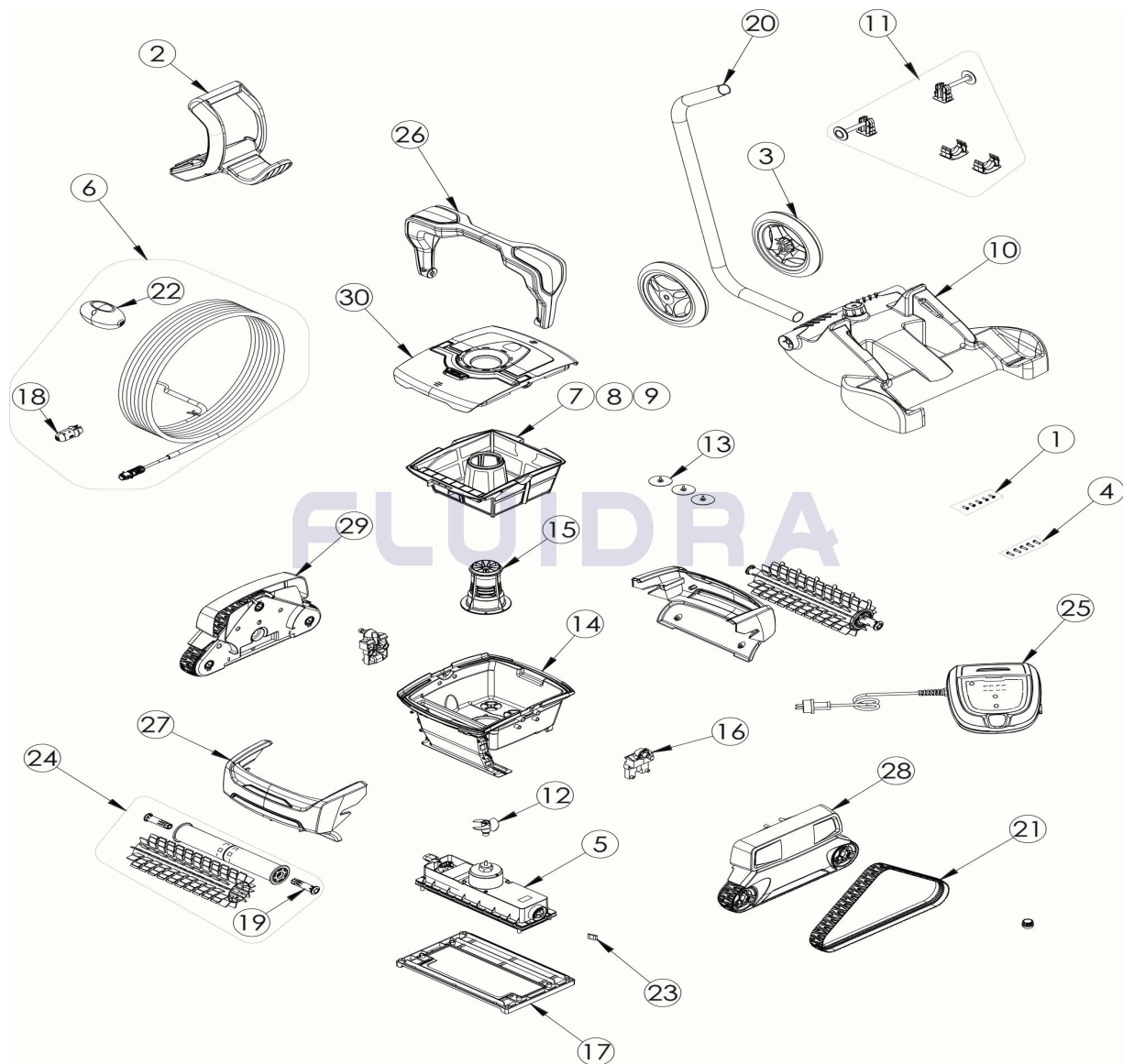
7248

CODE **WR000433**

DESCRIPTION: **W 445**

| | | | | | | | |
|----|----------|---------------------|---|----|----------|-------------------------------------|---|
| 14 | R0633400 | BOWL CYCLONX | 1 | 29 | R0959300 | COMPLETE GEAR BOX W C RAL9022 RAL9I | 1 |
| 15 | R0633500 | FLOW OUTLET CYCLONX | 1 | 30 | R0959400 | COMPLETE COVER C B-5 | 1 |

CODICE **WR000433**

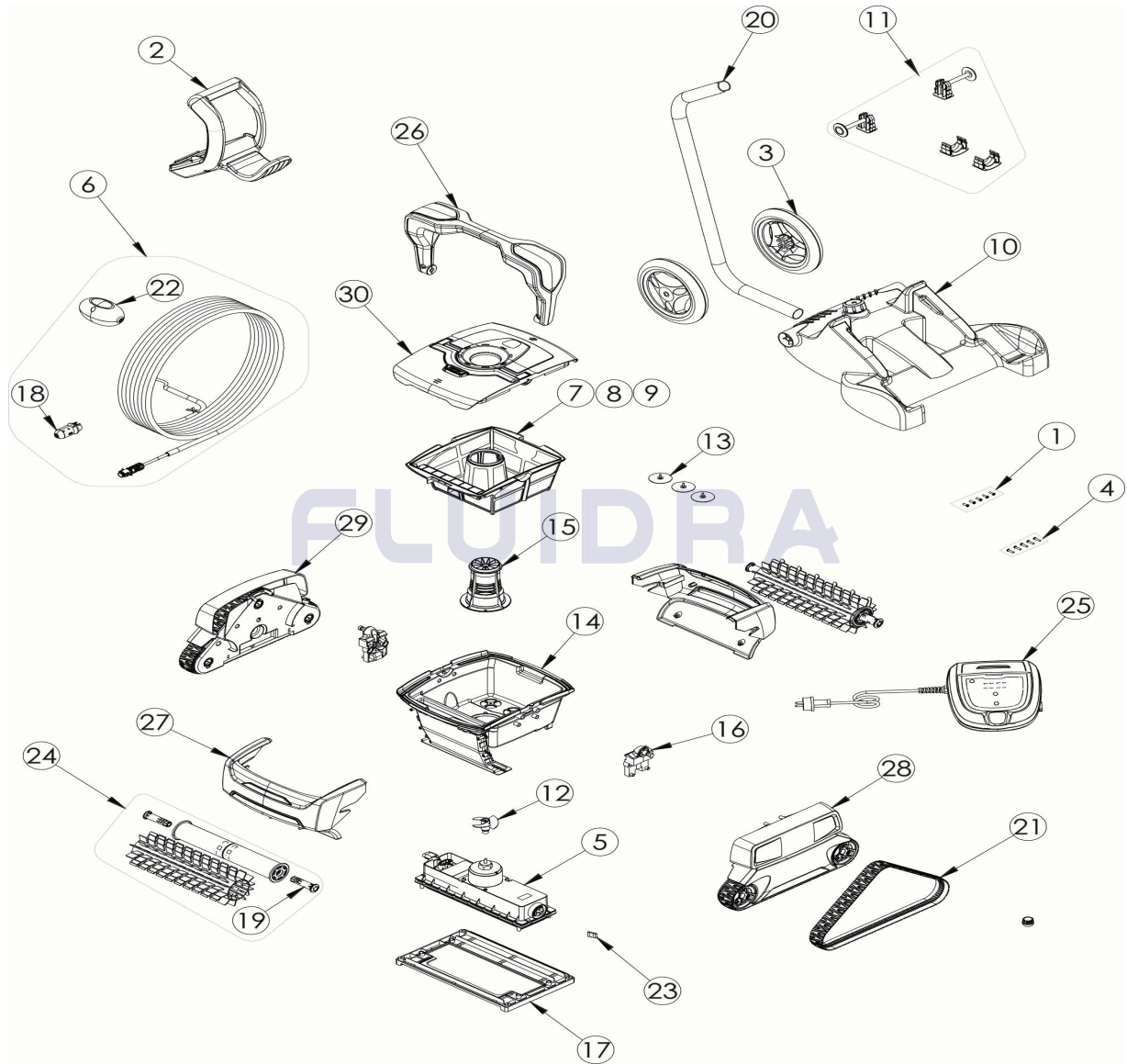
 DESCRIZIONE: **W 445**

ITALIANO

| POS | CODICE | DESCRIZIONE | QUANTITA' | POS | CODICE | DESCRIZIONE | QUANTITA' |
|-----|----------|-------------------------------------|-----------|-----|----------|-------------------------------------|-----------|
| 1 | R0516700 | VITE 4*12 MM (*5) | 1 | 16 | R0633600 | AGGANCIAMENTO MANIGLIA CYCLONX | 2 |
| 2 | R0565000 | MANIGLIA CARRELLO | 1 | 17 | R0633800 | SUPPORTO INFERIORE CYCLONX | 1 |
| 3 | R0565100 | RUOTE CARRELLO (*2) | 1 | 18 | R0634100 | ADATTATORE CAVO 3 PTS | 1 |
| 4 | R0608500 | VITE 4*16 MM A4 (*5) | 1 | 19 | R0634300 | FERMO RUOTA CYCLONX | 1 |
| 5 | R0632000 | BLOCCO MOTORE CYCLONX | 1 | 20 | R0634400 | CARRELLO CYCLONX | 1 |
| 6 | R0632101 | CAVO 18 MT CYCLONX | 1 | 21 | R0657700 | CINGOLI C GP (*2) | 1 |
| 7 | R0632700 | FILTRO 100 µ C GP | 1 | 22 | R0657800 | FLOTTANTE CAVO C GP | 1 |
| 8 | R0632701 | FILTRO 200µ C GP | 1 | 23 | R0657900 | KIT 5 PIN ALBERO MOTORE | 1 |
| 9 | R0632702 | FILTRO 200µ C GP | 1 | 24 | R0722300 | SPAZZOLA KIT C PVC (*2) | 1 |
| 10 | R0632800 | PORTE INFERIORE CARRELLO CYCLONX | 1 | 25 | R0910100 | QUADRO COMANDI TIPO 1 C | 1 |
| 11 | R0632900 | ACCESSORY CARRELLO CYCLONX | 1 | 26 | R0959000 | MANIGLIA, GRIGIO CHIARO-BLU SCURO | 1 |
| 12 | R0633200 | ELICA CYCLONX | 1 | 27 | R0959100 | GUSCIO COMPLETO B, GRIGIO CHIARO RA | 2 |
| 13 | R0633300 | VALVOLA DI EVACUAZIONE CYCLONX (*3) | 1 | 28 | R0959200 | SCATOLA TRASMISSIONE RAL9022 RAL902 | 1 |

CODICE **WR000433**DESCRIZIONE: **W 445**

| | | | | | | | |
|----|----------|----------------------|---|----|----------|------------------------------------|---|
| 14 | R0633400 | VASCETTA CYCLONX | 1 | 29 | R0959300 | SCATOLA TRASMISSIONE COMPLETA GRIG | 1 |
| 15 | R0633500 | GUIDA FLUSSO CYCLONX | 1 | 30 | R0959400 | COPERCHIO C B-5 | 1 |

CODE **WR000433**

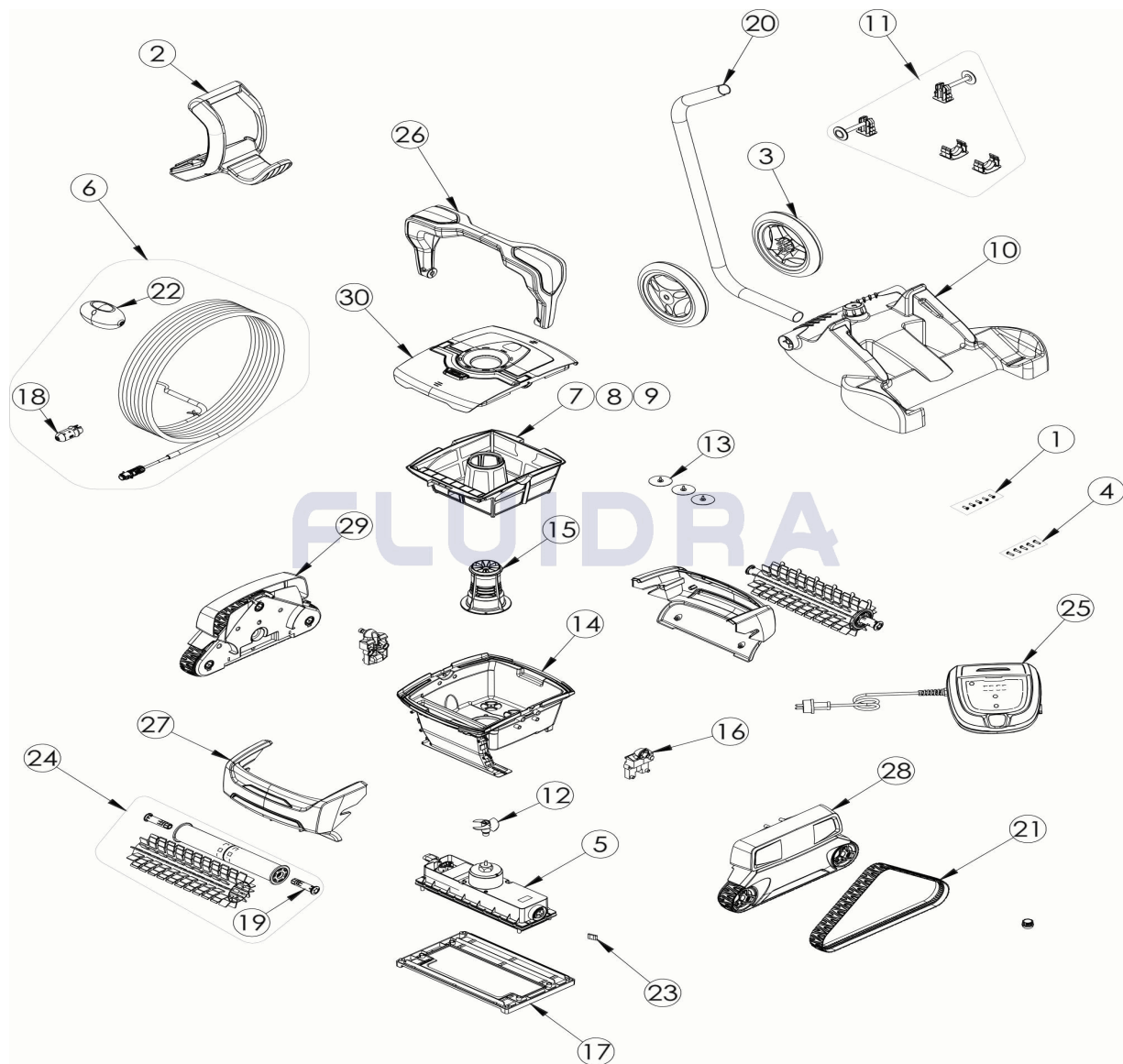
 BESCHREIBUNG: **W 445**

DEUTSCH

| POS | CODE | BESCHREIBUNG | MENGE | POS | CODE | BESCHREIBUNG | MENGE |
|-----|----------|---|-------|-----|----------|----------------------------------|-------|
| 1 | R0516700 | SCHRAUBE 4 * 12 MM(SET mit 5 Stk.) | 1 | 16 | R0633600 | HALTERUNG FÜR GRIFF (CYCLONX) | 2 |
| 2 | R0565000 | HANDGRIFF CADDY | 1 | 17 | R0633800 | BODENPLATTE (CYCLONX) | 1 |
| 3 | R0565100 | RÄDER CADDY (SET mit 2 Stk.) | 1 | 18 | R0634100 | STECKERGEHÄUSE (CYCLONX) | 1 |
| 4 | R0608500 | SCHRAUBE 4 * 16 MM, A4 (SET mit 5 Stk.) | 1 | 19 | R0634300 | ANTRIEBSACHSEN (CYCLONX) | 1 |
| 5 | R0632000 | MOTORBLOCK (CYCLONX) | 1 | 20 | R0634400 | STANDROHR FÜR CADDY (CYCLONX) | 1 |
| 6 | R0632101 | SCHWIMMKABEL 18 M (CYCLONX) | 1 | 21 | R0657700 | RAUPENBÄNDERN C GP (*2) | 1 |
| 7 | R0632700 | FILTER 100µ C GP | 1 | 22 | R0657800 | SCHWIMMKÖRPER CABLE C GP | 1 |
| 8 | R0632701 | FILTER 200µ C GP | 1 | 23 | R0657900 | BEFESTIGUNGSSTIFT FÜR MOTORBLOCK | 1 |
| 9 | R0632702 | FILTER 200µ C GP | 1 | 24 | R0722300 | BÜRSTEN KIT C PVC (*2) | 1 |
| 10 | R0632800 | BODENPLATTE CADDY A-0 (CYCLONX) | 1 | 25 | R0910100 | STEUERBOX TYP 1 C | 1 |
| 11 | R0632900 | ZUBEHÖR CADDY (CYCLONX) | 1 | 26 | R0959000 | GRIFFSTÜCK, HELLGRAU-DUNKELBLAU | 1 |
| 12 | R0633200 | TURBINE (CYCLONX) | 1 | 27 | R0959100 | GEHÄUSE B, HELLGRAU RAL9022 | 2 |
| 13 | R0633300 | AUSLASSVENTIL CYCLONX (SET mit 3 Stk) | 1 | 28 | R0959200 | GETRIEBEGEHÄUSE RAL9022 RAL9022 | 1 |

CODE **WR000433**BESCHREIBUNG: **W 445**

| | | | | | | | |
|----|----------|-------------------------|---|----|----------|-----------------------------------|---|
| 14 | R0633400 | GEHÄUSE (CYCLONX) | 1 | 29 | R0959300 | GETRIEBERAD, GRAU RAL9022 RAL9022 | 1 |
| 15 | R0633500 | STRÖMUNGSDÜSE (CYCLONX) | 1 | 30 | R0959400 | FILTERKORBDECKEL C B-5 | 1 |

CODIGO **WR000433**

 DESCRIÇÃO: **W 445**


PORTUGUES

| POS | CODIGO | DESCRIÇÃO | JANTIDADE | POS | CODIGO | DESCRIÇÃO | JANTIDADE |
|-----|----------|-----------------------------------|-----------|-----|----------|-------------------------------------|-----------|
| 1 | R0516700 | PARAFUSO 4*12 MM (Pack 5 UN) | 1 | 16 | R0633600 | SUPORE PEGA RAL7021 | 2 |
| 2 | R0565000 | PEGA CARRO DE TRANSPORTE | 1 | 17 | R0633800 | PLACA INFERIOR CYCLONX | 1 |
| 3 | R0565100 | RODAS CARRO DE TRANSPORTE | 1 | 18 | R0634100 | CORPO LIGAÇÃO 3 PINS | 1 |
| 4 | R0608500 | PARAFUSO 4*16 MM A4 (Pack 5 UN) | 1 | 19 | R0634300 | CLIP FIXADOR RODA CYCLONX | 1 |
| 5 | R0632000 | BLOCO MOTOR CYCLONX | 1 | 20 | R0634400 | TUBO CARRO DE TRANSPORTE CYCLONX | 1 |
| 6 | R0632101 | CABO FLUTUANTE 18M CYCLONX | 1 | 21 | R0657700 | CORREIAS C GP (*2) | 1 |
| 7 | R0632700 | FILTRO 100µ C GP | 1 | 22 | R0657800 | FLUTUADORES CABO C GP | 1 |
| 8 | R0632701 | FILTRO 200µ C GP | 1 | 23 | R0657900 | PASSADOR Ø4 EIXO BLOCO MOTOR (PACK | 1 |
| 9 | R0632702 | FILTRO 200µ C GP | 1 | 24 | R0722300 | ESCOVAS KIT C PVC (*2) | 1 |
| 10 | R0632800 | BASE CARRO CYCLONX | 1 | 25 | R0910100 | UNIDADE DE CONTROLO TIPO 1 C | 1 |
| 11 | R0632900 | KIT ACESSÓRIOS MONTAGEM CARRO CYC | 1 | 26 | R0959000 | PEGA, CINZA CLARO-AZUL-ESCURO | 1 |
| 12 | R0633200 | HÉLICE CYCLONX | 1 | 27 | R0959100 | ESTRUTURA COMPLETA B, CINZA CLARO F | 2 |
| 13 | R0633300 | BORRACHA DE EVACUAÇÃO CYCLONX (P) | 1 | 28 | R0959200 | CASSETE LIVRE RAL9022 RAL9022 | 1 |



ITEM

REV.: 0
DATA: 19/11/2021
FOLHA: 12/12

7248

CODIGO **WR000433**

DESCRIÇÃO: **W 445**

| | | | | | | | |
|----|----------|------------------------------|---|----|----------|-----------------------------------|---|
| 14 | R0633400 | ESTRUTURA INTERIOR CYCLONX | 1 | 29 | R0959300 | CASSETE LADO MOTOR TRAÇÃO CINZENT | 1 |
| 15 | R0633500 | CANALIZADOR DE FLUXO CYCLONX | 1 | 30 | R0959400 | TAMPA SUPERIOR FILTRO C B-5 | 1 |