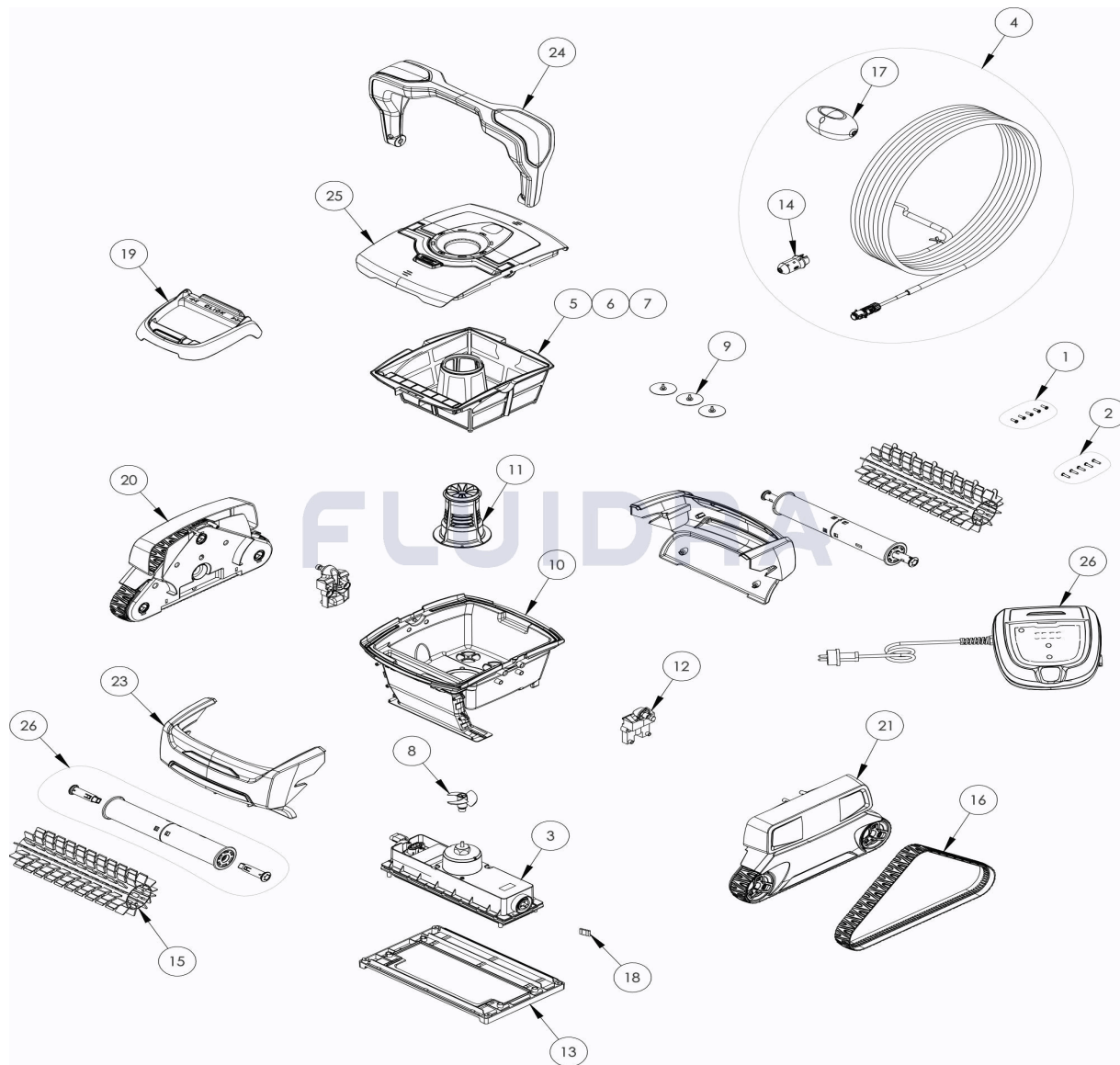
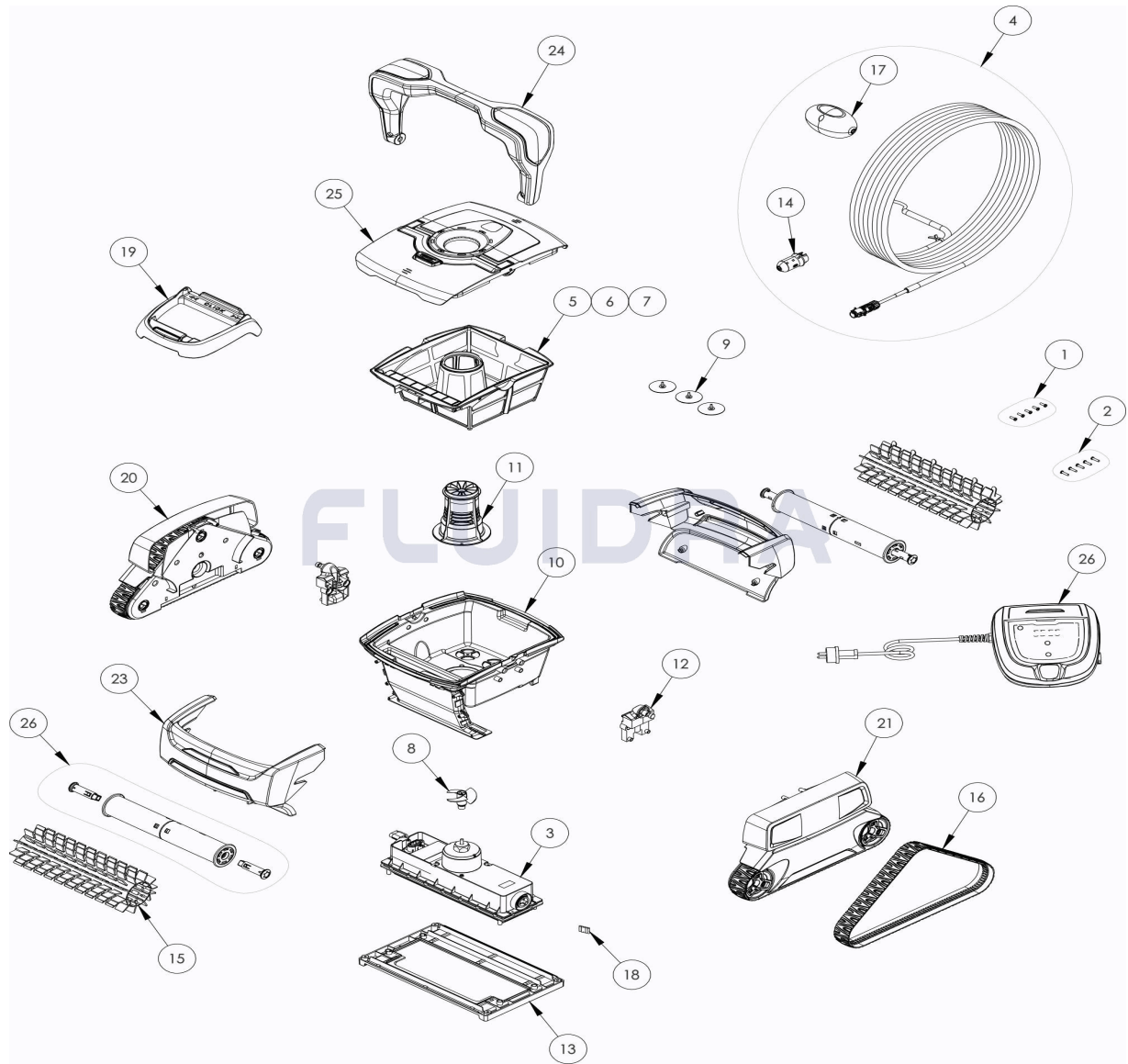


CODIGO **WR000336**

 DESCRIPCION: **W 430**

ESPAÑOL

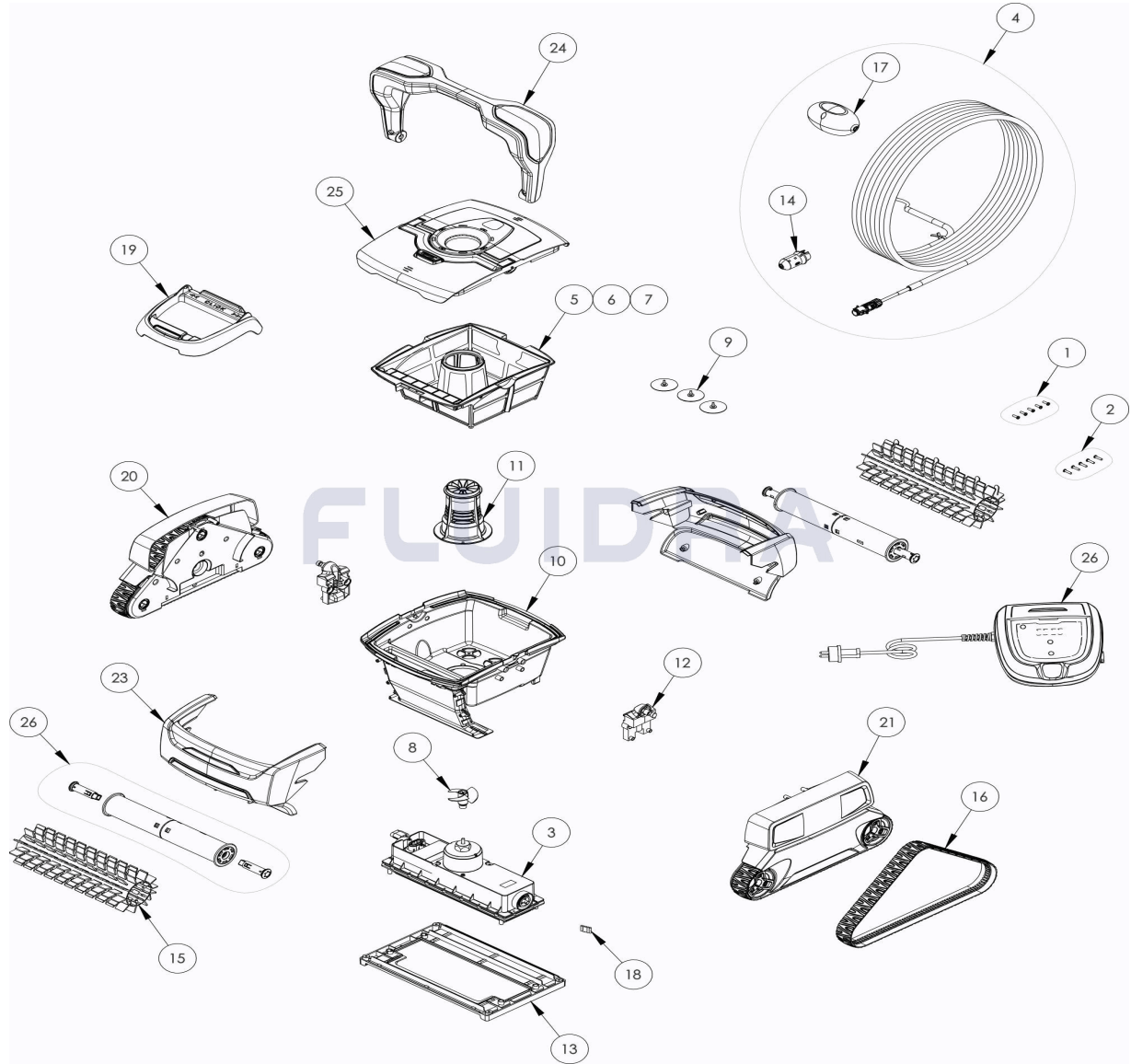
POS	CODIGO	DESCRIPCION	CANTIDAD	POS	CODIGO	DESCRIPCION	CANTIDAD
1	R0516700	TORNILLO 4*12 MM (PACK DE 5 UN.)	1	14	R0634100	CUERPO CONECTOR 3 PINS	1
2	R0608500	TORNILLO 4*16 MM (PACK DE 5 UN)	1	15	R0657600	CEPILLOS C RAL9022 GP (PACK 2 UN)	1
3	R0632000	BLOQUE MOTOR CYCLONX	1	16	R0657700	ORUGA C GP (PACK DE 2 UN)	1
4	R0632100	CABLE FLOTANTE 15 M CYCLONX	1	17	R0657800	FLOTADORES CABLE C GP	1
5	R0632700	FILTRO 100µ C GP	1	18	R0657900	PASADOR ø4 EJE BLOQUE MOTOR (PACK 3	1
6	R0632701	FILTRO 200µ C GP	1	19	R0662600	SOPORTE UNIDAD DE CONTROL	1
7	R0632702	FILTRO 60µ C GP	1	20	R0715300	CASSETTE LIBRE RAL9022	1
8	R0633200	HÉLICE CYCLONX	1	21	R0715400	CASSETTE LADO MOTOR TRACCIÓN GRIS	1
9	R0633300	GOMA DE EVACUACIÓN CYCLONX (Pack 3	1	22	R0722400	RODILLO PORTACEPILLOS + FIJACIÓN C	2
10	R0633400	CARCASA INTERIOR CYCLONX	1	23	R0909600	CARCASA COMPLETA B BLANCO	2
11	R0633500	CANALIZADOR DE FLUJO CYCLONX	1	24	R0909700	EMPUÑADURA B RAL9022	1
12	R0633600	SOPORTE EMPUÑADURA RAL7021	2	25	R0909800	TAPA SUPERIOR FILTRO C B-4	1
13	R0633800	PLACA INFERIOR CYCLONX	1	26	R0909900	UNIDAD DE CONTROL TIPO 2 C	1

CODE **WR000336**

 DESCRIPTION: **W 430**

FRANCAIS

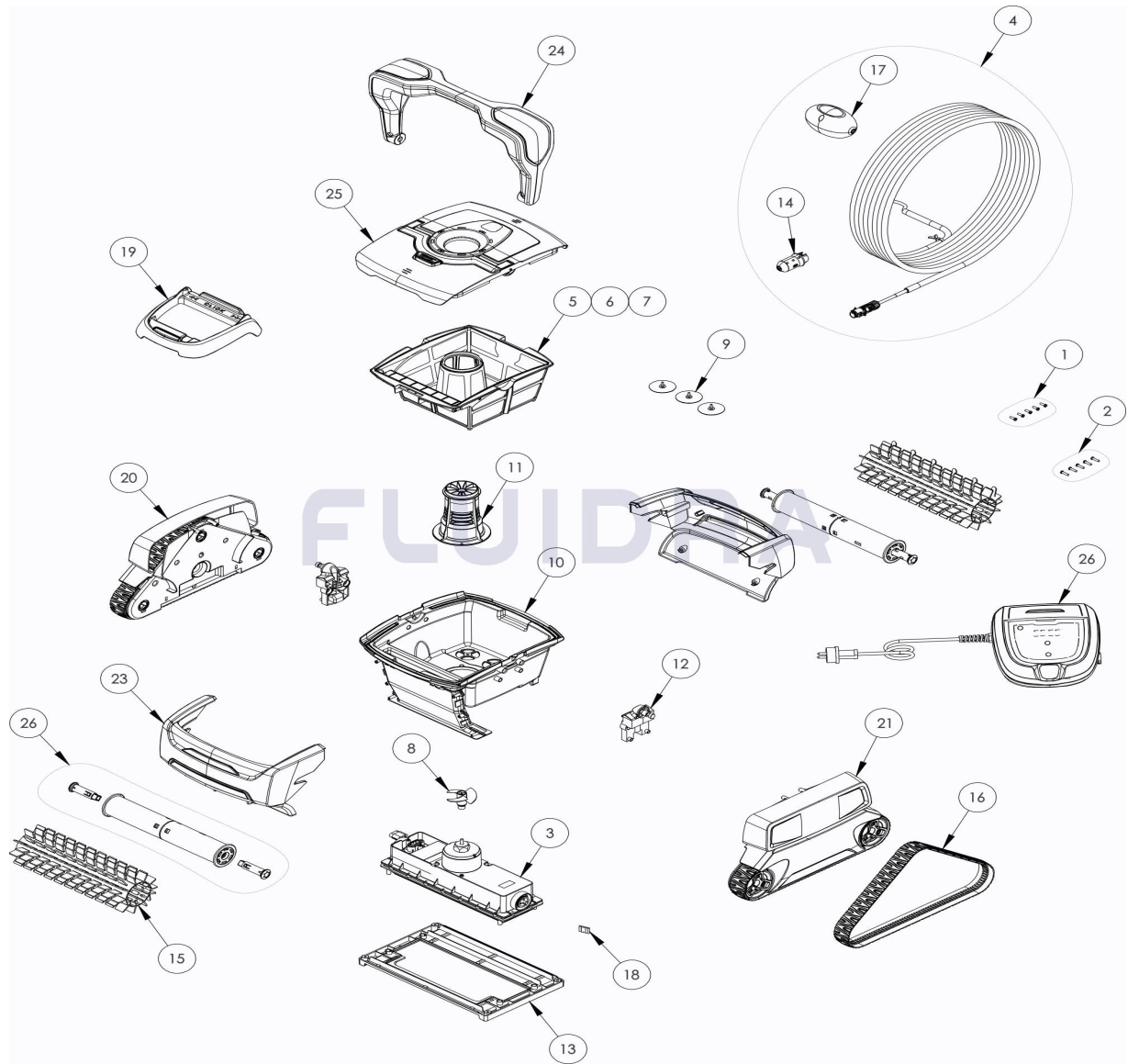
POS	CODE	DESCRIPTION	QUANTITE	POS	CODE	DESCRIPTION	QUANTITE
1	R0516700	VIS 4*12 MM (X5)	1	14	R0634100	CAPOT CONNECTEUR 3 PTS	1
2	R0608500	VIS 4*16 MM A4 (*5)	1	15	R0657600	BROSSES C RAL9022 GP (*2)	1
3	R0632000	BLOC MOTEUR CYCLONX	1	16	R0657700	CHENILLE C GP (*2)	1
4	R0632100	CABLE FLOTTANT 15M CYCLONX	1	17	R0657800	FLOTTEUR CABLE GP	1
5	R0632700	FILTRE 100µ C GP	1	18	R0657900	GOUPILLE Ø4 AXE BLOC MOTEUR (*5)	1
6	R0632701	FILTRE 200µ C GP	1	19	R0662600	SOCLE COFFRET COMMANDE	1
7	R0632702	FILTRE 60µ C GP	1	20	R0715300	CASSETTE W LIBRE C RAL9022	1
8	R0633200	HELICE CYCLONX	1	21	R0715400	CASSETTE W MOTEUR C RAL9022	1
9	R0633300	CLAPET EVACUATION CYCLONX (*3)	1	22	R0722400	SUPPORT BROSSE + VERROUILLAGE C	2
10	R0633400	BOL CYCLONX	1	23	R0909600	COQUE B BLANC	2
11	R0633500	GUIDE FLUX CYCLONX	1	24	R0909700	POIGNEE B RAL9022	1
12	R0633600	AXE POIGNEE RAL7021	2	25	R0909800	COUVERCLE COMPLET C B-4	1
13	R0633800	PLAQUE INFERIEURE CYCLONX	1	26	R0909900	COFFRET COMMANDE TYPE 2 C	1

CODE **WR000336**

 DESCRIPTION: **W 430**

ENGLISH

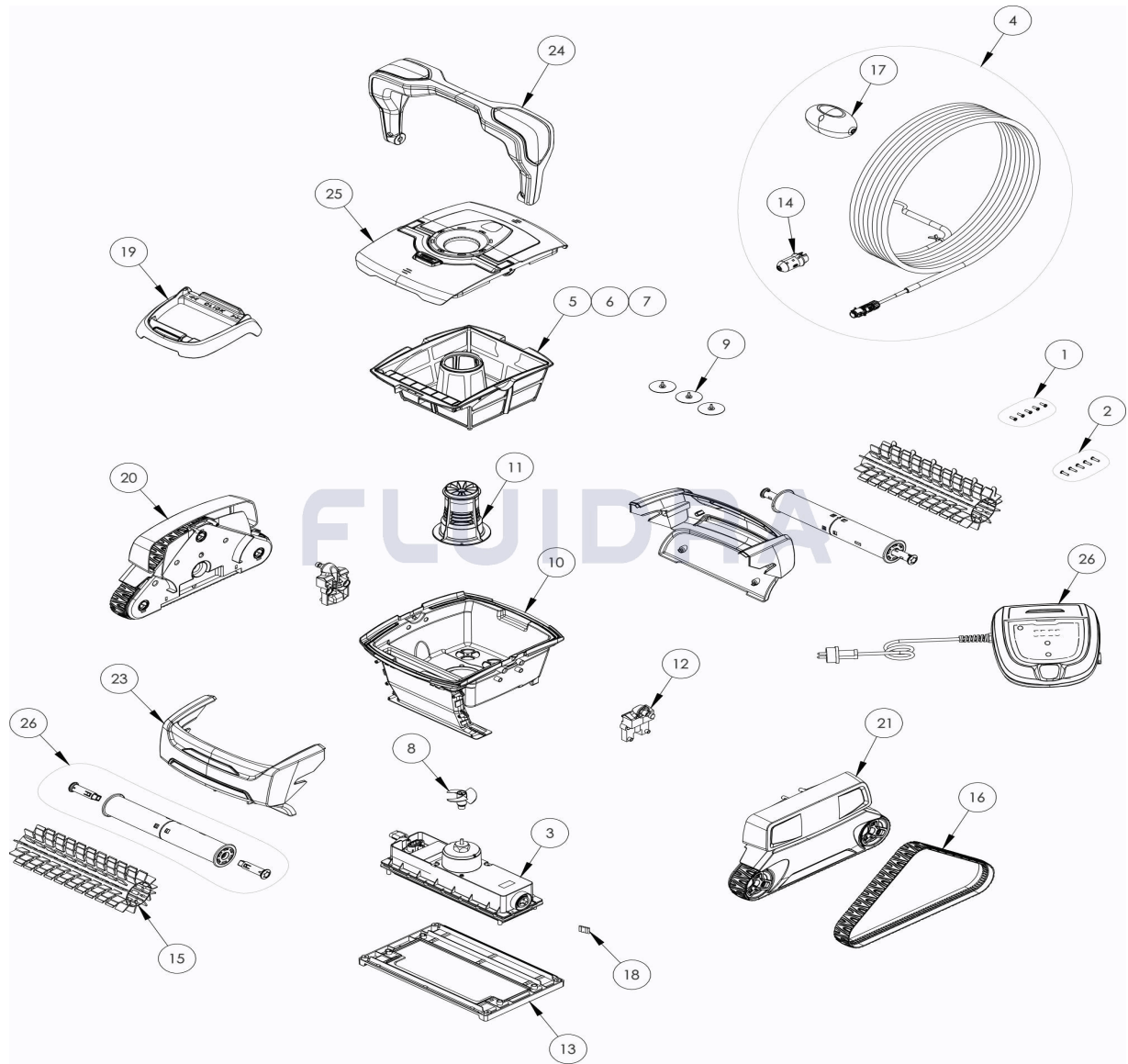
POS	CODE	DESCRIPTION	QUANTITY	POS	CODE	DESCRIPTION	QUANTITY
1	R0516700	SCREWS 4*12 MM (X5)	1	14	R0634100	CONNECTOR 3PTS BODY	1
2	R0608500	SCREW 4*16MM (set of 5)	1	15	R0657600	BRUSH SCRUBBER C RAL9022 GP (SET OF	1
3	R0632000	COMPLETE MOTOR BLOCK CYCLONX	1	16	R0657700	TRACK C GP (SET OF 2)	1
4	R0632100	COMPLETE FLOATING CABLE CYCLONX 1.	1	17	R0657800	CABLE FLOAT C GP	1
5	R0632700	COMPLETE FILTER 100µ C GP	1	18	R0657900	MOTOR BLOCK SHAFT PIN Ø4 (SET OF 5)	1
6	R0632701	COMPLETE FILTER 200µ C GP	1	19	R0662600	CONTROL UNIT BASE	1
7	R0632702	COMPLETE FILTER 60µ C GP	1	20	R0715300	COMPLETE FREE GEAR BOX W C RAL9022	1
8	R0633200	IMPELLER CYCLONX	1	21	R0715400	COMPLETE GEAR BOX W C RAL9022	1
9	R0633300	EXHAUST VALVE CYCLONX (SET OF 3)	1	22	R0722400	BRUSH ROLLER + KEYS C	2
10	R0633400	BOWL CYCLONX	1	23	R0909600	BODY MPP B WHITE	2
11	R0633500	FLOW OUTLET CYCLONX	1	24	R0909700	COMPLETE HANDLE B RAL9022	1
12	R0633600	HANDLE SHAFT CYCLONX	2	25	R0909800	COMPLETE COVER C B-4	1
13	R0633800	BOTTOM PLATE CYCLONX	1	26	R0909900	CONTROL BOX TYPE 2 C	1

CODICE **WR000336**

 DESCRIZIONE: **W 430**

ITALIANO

POS	CODICE	DESCRIZIONE	QUANTITA'	POS	CODICE	DESCRIZIONE	QUANTITA'
1	R0516700	VITE 4*12 MM (*5)	1	14	R0634100	ADATTATORE CAVO 3 PTS	1
2	R0608500	VITE 4*16 MM A4 (*5)	1	15	R0657600	SPAZZOLA C RAL9022 GP (*2)	1
3	R0632000	BLOCCO MOTORE CYCLONX	1	16	R0657700	CINGOLI C GP (*2)	1
4	R0632100	CAVO GALLEGGIANTE 15M CYCLONX	1	17	R0657800	FLOTTANTE CAVO C GP	1
5	R0632700	FILTRO 100 µ C GP	1	18	R0657900	KIT 5 PIN ALBERO MOTORE	1
6	R0632701	FILTRO 200µ C GP	1	19	R0662600	PIEDISTALLO QUADRO COMANDI	1
7	R0632702	FILTRO 200µ C GP	1	20	R0715300	SCATOLA TRASMISSIONE RAL9022	1
8	R0633200	ELICA CYCLONX	1	21	R0715400	SCATOLA TRASMISSIONE COMPLETA GRIG	1
9	R0633300	VALVOLA DI EVACUAZIONE CYCLONX (*3)	1	22	R0722400	SUPPORTO SPAZZOLA + FERMO C	2
10	R0633400	VASCHETTA CYCLONX	1	23	R0909600	GUSCIO COMPLETO B BIANCO	2
11	R0633500	GUIDA FLUSSO CYCLONX	1	24	R0909700	MANIGLIA B RAL9022	1
12	R0633600	AGGANCIO MANIGLIA CYCLONX	2	25	R0909800	COPERCHIO C B-4	1
13	R0633800	SUPPORTO INFERIORE CYCLONX	1	26	R0909900	QUADRO COMANDI TIPO 2 C	1

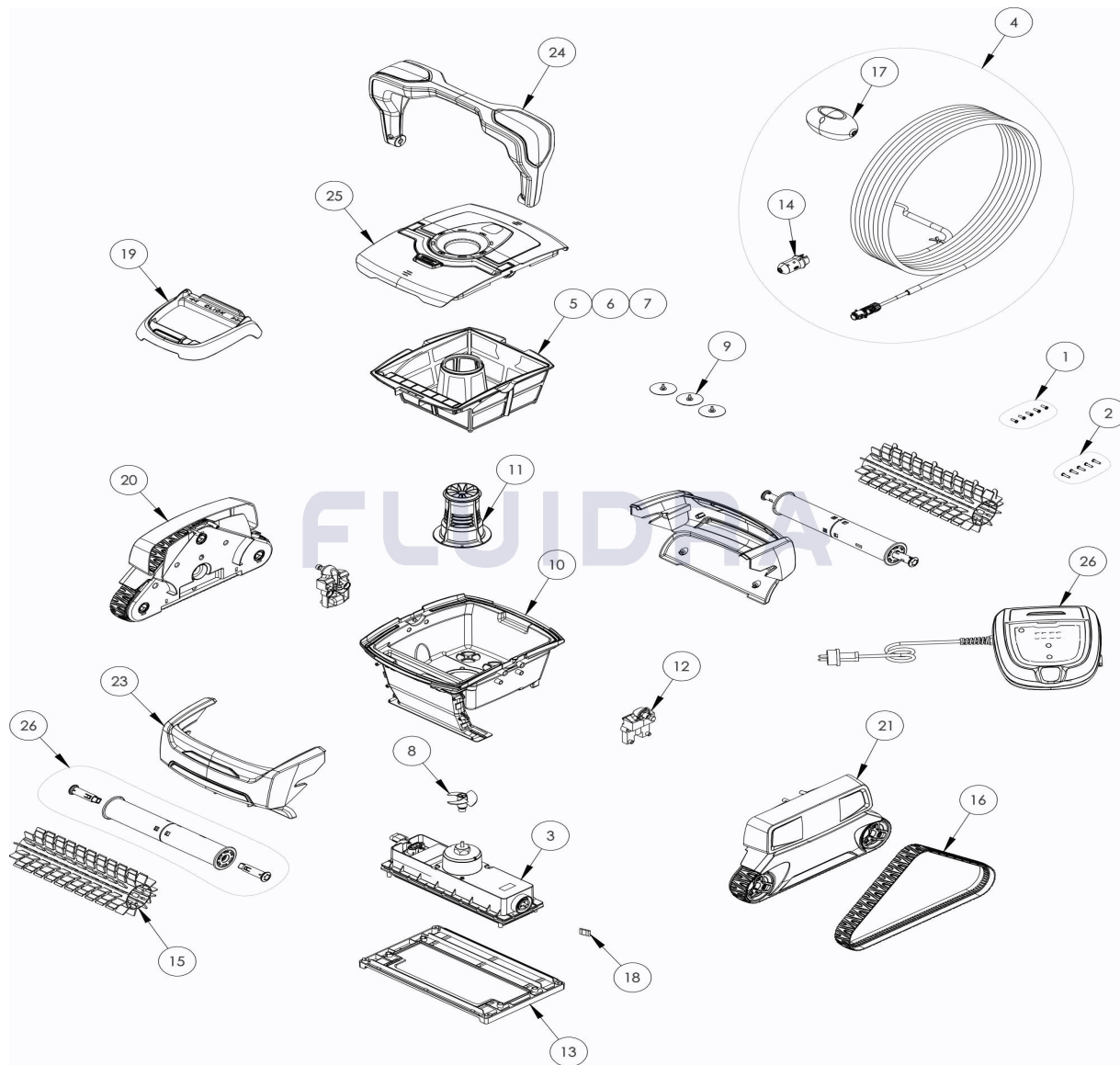
CODE **WR000336**

 BESCHREIBUNG: **W 430**


DEUTSCH

POS	CODE	BESCHREIBUNG	MENGE	POS	CODE	BESCHREIBUNG	MENGE
1	R0516700	SCHRAUBE 4 * 12 MM(SET mit 5 Stk.)	1	14	R0634100	STECKERGEHÄUSE (CYCLONX)	1
2	R0608500	SCHRAUBE 4 * 16 MM, A4 (SET mit 5 Stk.)	1	15	R0657600	BÜRSTEN C RAL9022 GP (*2)	1
3	R0632000	MOTORBLOCK (CYCLONX)	1	16	R0657700	RAUPENBÄNDERN C GP (*2)	1
4	R0632100	SCHWIMMKABEL 15 M (CYCLONX)	1	17	R0657800	SCHWIMMKÖRPER CABLE C GP	1
5	R0632700	FILTER 100µ C GP	1	18	R0657900	BEFESTIGUNGSSTIFT FÜR MOTORBLOCK	1
6	R0632701	FILTER 200µ C GP	1	19	R0662600	HALTERUNG STEUERBOX	1
7	R0632702	FILTER 200µ C GP	1	20	R0715300	GETRIEBEGEHÄUSE RAL9022	1
8	R0633200	TURBINE (CYCLONX)	1	21	R0715400	GETRIEBERAD, GRAU RAL9022	1
9	R0633300	AUSLASSVENTIL CYCLONX (SET mit 3 Stk)	1	22	R0722400	BÜRSTENWALZE + ANTRIEBSACHSEN C	2
10	R0633400	GEHÄUSE (CYCLONX)	1	23	R0909600	GEHÄUSE B WEIß	2
11	R0633500	STRÖMUNGSDÜSE (CYCLONX)	1	24	R0909700	GRIFSTÜCK B RAL9022	1
12	R0633600	HALTERUNG FÜR GRIF (CYCLONX)	2	25	R0909800	FILTERKORBDECKEL C B-4	1
13	R0633800	BODENPLATTE (CYCLONX)	1	26	R0909900	STEUERBOX TYP 2 C	1

CODIGO **WR000336**

 DESCRIÇÃO: **W 430**


PORTUGUES

POS	CODIGO	DESCRIÇÃO	JANTIDADE	POS	CODIGO	DESCRIÇÃO	JANTIDADE
1	R0516700	PARAFUSO 4*12 MM (Pack 5 UN)	1	14	R0634100	CORPO LIGAÇÃO 3 PINS	1
2	R0608500	PARAFUSO 4*16 MM A4 (Pack 5 UN)	1	15	R0657600	ESCOVAS C RAL9022 GP (*2)	1
3	R0632000	BLOCO MOTOR CYCLONX	1	16	R0657700	CORREIAS C GP (*2)	1
4	R0632100	CABO FLUTUANTE 15M CYCLONX	1	17	R0657800	FLUTUADORES CABO C GP	1
5	R0632700	FILTRO 100µ C GP	1	18	R0657900	PASSADOR Ø4 EIXO BLOCO MOTOR (PACK	1
6	R0632701	FILTRO 200µ C GP	1	19	R0662600	SUPORTE CAIXA DE COMANDOS	1
7	R0632702	FILTRO 200µ C GP	1	20	R0715300	CASSETE LIVRE RAL9022	1
8	R0633200	HÉLICE CYCLONX	1	21	R0715400	CASSETE LADO MOTOR TRACÇÃO CINZENT	1
9	R0633300	BORRACHA DE EVACUAÇÃO CYCLONX (P)	1	22	R0722400	ROLO PORTA-ESCOVAS + FIXADOR C	2
10	R0633400	ESTRUTURA INTERIOR CYCLONX	1	23	R0909600	ESTRUTURA COMPLETA B BRANCO	2
11	R0633500	CANALIZADOR DE FLUXO CYCLONX	1	24	R0909700	PEGA B RAL9022	1
12	R0633600	SUPORTE PEGA RAL7021	2	25	R0909800	TAMPA SUPERIOR FILTRO C B-4	1
13	R0633800	PLACA INFERIOR CYCLONX	1	26	R0909900	UNIDADE DE CONTROLO TIPO 2 C	1