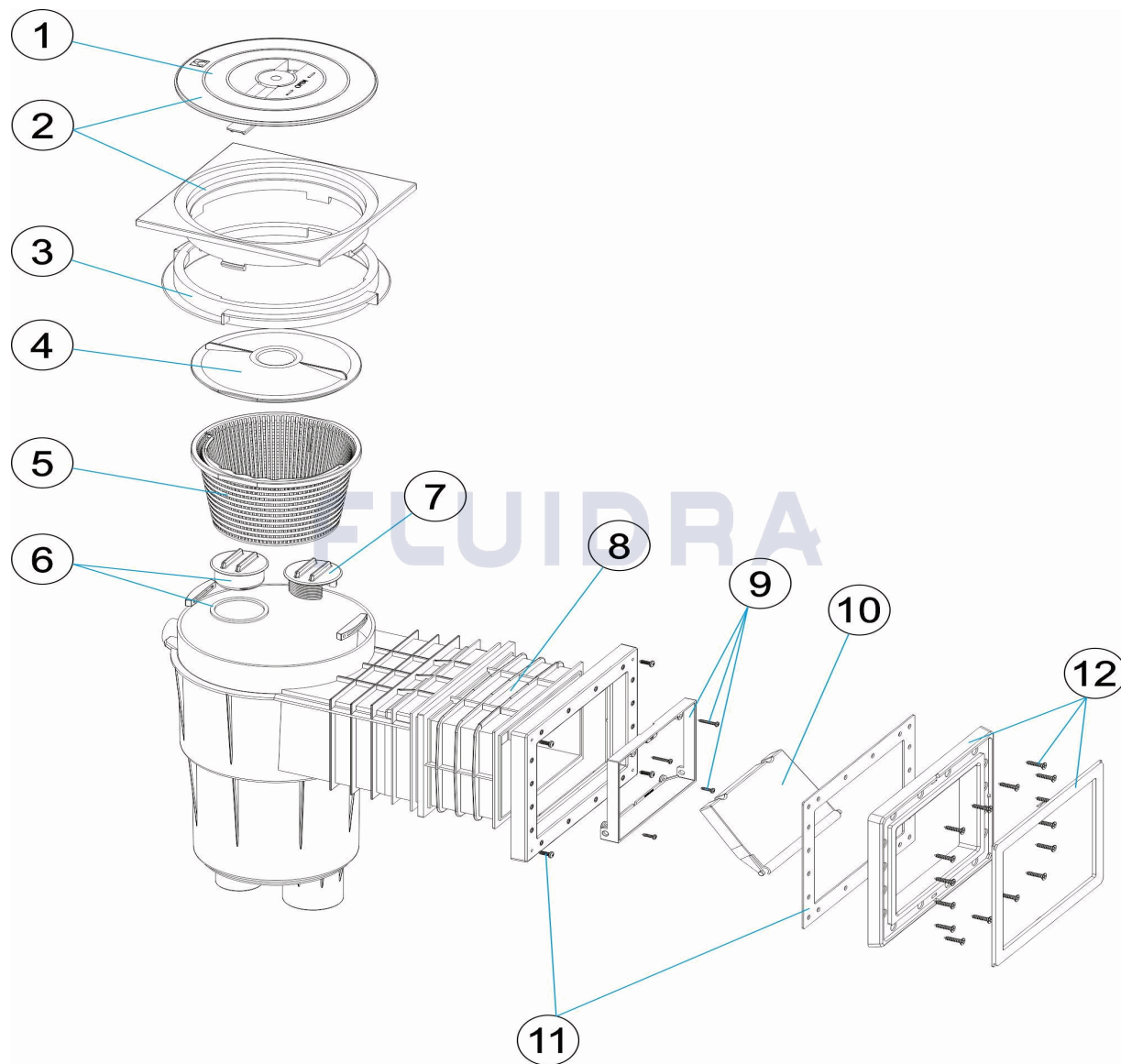


CODIGO 11316, 11316CL090, 11316CL129, 11316CL144

DESCRIPCION: SKIMMER 17,5L PP. B.STAND. + ALARGO T.CUADR. R. CHAPA



ESPAÑOL

POS	CODIGO	DESCRIPCION	CANTIDAD	POS	CODIGO	DESCRIPCION	CANTIDAD
1	* 4402010509	TAPA SKIMMER		7	4402010502	TAPON REGULADOR	
1	* 4402010064	TAPA SKIMMER		8	* 4402010082	BOCA INTERMEDIA SKIMMER	
1	* 4402010066	TAPA SKIMMER		8	* 4402010127	BOCA INTERMEDIA SKIMMER	
1	* 4402010041	TAPA SKIMMER		8	* 4402010128	BOCA INTERMEDIA SKIMMER	
2	* 4402010510	MARCO CUADRADO Y TAPA		8	* 4402010129	BOCA INTERMEDIA SKIMMER	
2	* 05280-0700CL090	MARCO CUADRADO Y TAPA		9	* 4402010508	MARCO COMPUERTA SKIMMER	
2	* 05280-0700CL129	MARCO CUADRADO Y TAPA		9	* 4402010119	MARCO COMPUERTA SKIMMER	
2	* 05280-0700CL144	MARCO CUADRADO Y TAPA		9	* 4402010120	MARCO COMPUERTA SKIMMER	
3	* 4402010506	ANILLO DISTANCIADOR SKIMMER		9	* 4402010042	MARCO COMPUERTA SKIMMER	
3	* 4402010073	ANILLO DISTANCIADOR SKIMMER		10	* 4402010501	COMPUERTA SKIMMER CON CLIP	
3	* 4402010075	ANILLO DISTANCIADOR SKIMMER		10	* 4402010076	COMPUERTA SKIMMER CON CLIP	
3	* 4402010039	ANILLO DISTANCIADOR 17,5L		10	* 4402010079	COMPUERTA SKIMMER CON CLIP	
4	4402010505	TAPA CESTO SKIMMER		10	* 4402010080	COMPUERTA SKIMMER CON CLIP	

CODIGO 11316, 11316CL090, 11316CL129, 11316CL144

DESCRIPCION: SKIMMER 17,5L PP. B.STAND. + ALARGO T.CUADR. R. CHAPA

5	4402010504	CESTO SKIMMER 17,5 LTS.	11	4402014001	JUNTA SKIMMER PEQUEÑA PISC. PREF.
6	4402010503	TAPON CON JUNTA	12	* 4402010312	MARCO PEQUEÑO SKIMMER (PARKER)
12	* 4402010130	MARCO PEQUEÑO SKIMMER (PARKER)	12	* 4402010132	MARCO PEQUEÑO SKIMMER (PARKER)
12	* 4402010131	MARCO PEQUEÑO SKIMMER (PARKER)			

CODIGO 11316, 11316CL090, 11316CL129, 11316CL144

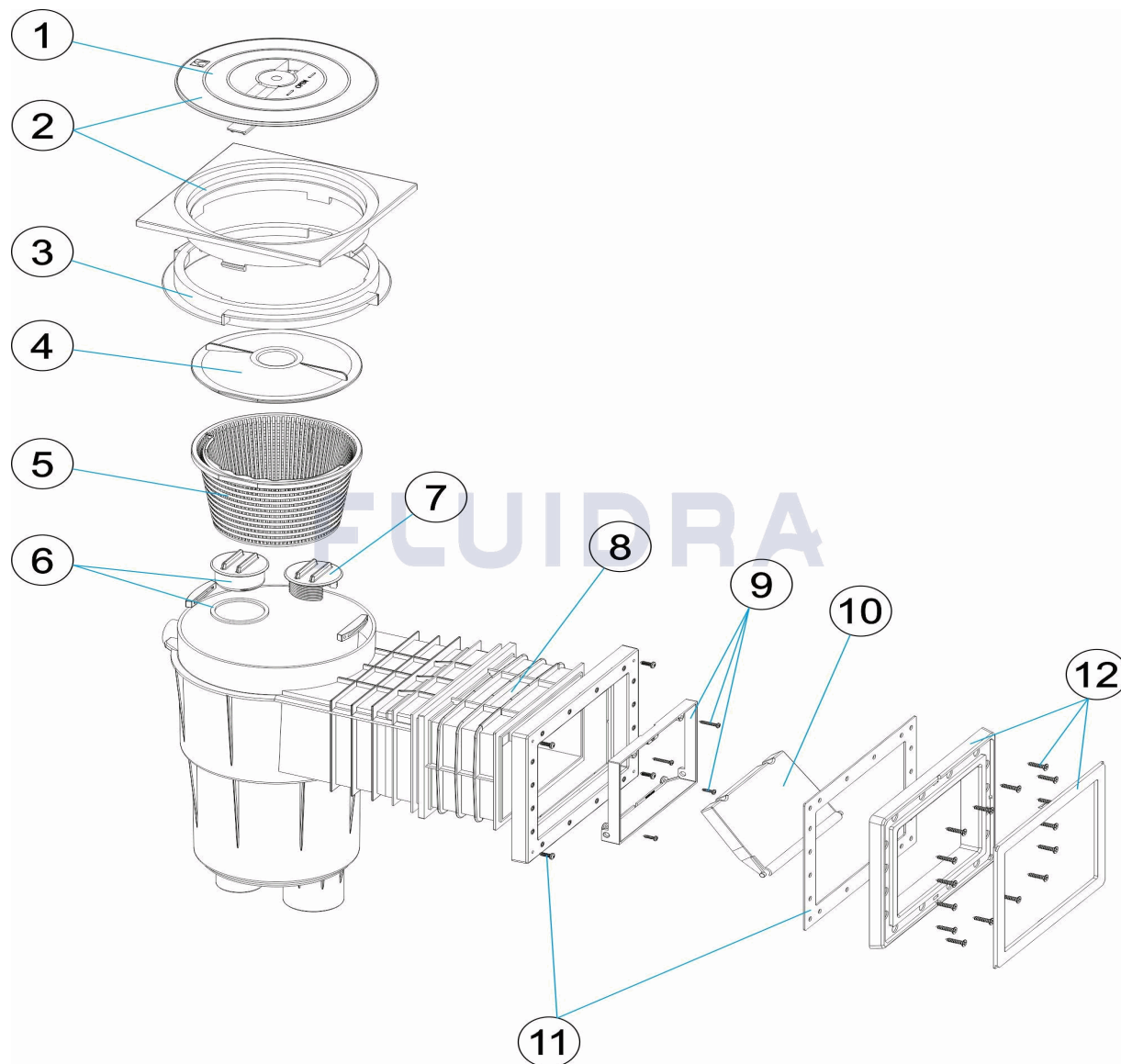
DESCRIPCION: SKIMMER 17,5L PP. B.STAND. + ALARGO T.CUADR. R. CHAPA

OBSERVACIONES

POS	CODIGO	OBSERVACIONES
1	* 4402010509	PARA: 11316 WHITE
1	* 4402010064	PARA: 11316CL090 BEIGE
1	* 4402010066	PARA: 11316CL129 GREY
1	* 4402010041	PARA: 11316CL144 ANTHRACITE
2	* 4402010510	PARA: 11316 WHITE
2	* 05280-0700CL090	PARA: 11316CL090 BEIGE
2	* 05280-0700CL129	PARA: 11316CL129 GREY
2	* 05280-0700CL144	PARA: 11316CL144 ANTHRACITE
3	* 4402010506	PARA: 11316 WHITE
3	* 4402010073	PARA: 11316CL090 BEIGE
3	* 4402010075	PARA: 11316CL129 GREY
3	* 4402010039	PARA: 11316CL144 ANTHRACITE
8	* 4402010082	PARA: 11316 WHITE
8	* 4402010127	PARA: 11316CL090 BEIGE
8	* 4402010128	PARA: 11316CL129 GREY
8	* 4402010129	PARA: 11316CL144 ANTHRACITE
9	* 4402010508	PARA: 11316 WHITE
9	* 4402010119	PARA: 11316CL090 BEIGE
9	* 4402010120	PARA: 11316CL129 GREY
9	* 4402010042	PARA: 11316CL144 ANTHRACITE
10	* 4402010501	PARA: 11316 WHITE
10	* 4402010076	PARA: 11316CL090 BEIGE
10	* 4402010079	PARA: 11316CL129 GREY
10	* 4402010080	PARA: 11316CL144 ANTHRACITE
12	* 4402010312	PARA: 11316 WHITE
12	* 4402010130	PARA: 11316CL090 BEIGE
12	* 4402010131	PARA: 11316CL129 GREY
12	* 4402010132	PARA: 11316CL144 ANTHRACITE

CODE 11316, 11316CL090, 11316CL129, 11316CL144

DESCRIPTION: SKIMMER 17,5L PP. O.STAND. + RALLONGE C.CARRÉ. G. TÔLE



FRANCAIS

POS	CODE	DESCRIPTION	QUANTITE	POS	CODE	DESCRIPTION	QUANTITE
1	* 4402010509	COUVERCLE ROND DE SKIMMER		7	4402010502	BOUCHON REGULATEUR	
1	* 4402010064	COUVERCLE ROND DE SKIMMER		8	* 4402010082	BOUCHE INTERMEDIAIRE RALLONGE SKIM	
1	* 4402010066	COUVERCLE ROND DE SKIMMER		8	* 4402010127	BOUCHE INTERMEDIAIRE RALLONGE SKIM	
1	* 4402010041	COUVERCLE ROND DE SKIMMER		8	* 4402010128	BOUCHE INTERMEDIAIRE RALLONGE SKIM	
2	* 4402010510	CADRE ET COUVERCLE ROND		8	* 4402010129	BOUCHE INTERMEDIAIRE RALLONGE SKIM	
2	* 05280-0700CL090	CADRE ET COUVERCLE ROND		9	* 4402010508	CADRE VOLET SKIMMER	
2	* 05280-0700CL129	CADRE ET COUVERCLE ROND		9	* 4402010119	CADRE VOLET SKIMMER	
2	* 05280-0700CL144	CADRE ET COUVERCLE ROND		9	* 4402010120	CADRE VOLET SKIMMER	
3	* 4402010506	CADRE REHAUSSE COUVERCLE		9	* 4402010042	CADRE VOLET SKIMMER	
3	* 4402010073	CADRE REHAUSSE COUVERCLE		10	* 4402010501	VOLET DE SKIMMER	
3	* 4402010075	CADRE REHAUSSE COUVERCLE		10	* 4402010076	VOLET DE SKIMMER	
3	* 4402010039	CADRE REHAUSSE COUVERCLE		10	* 4402010079	VOLET DE SKIMMER	
4	4402010505	COUVERCLE PANIER SKIMMER		10	* 4402010080	VOLET DE SKIMMER	

CODE **11316, 11316CL090, 11316CL129, 11316CL144**

DESCRIPTION: **SKIMMER 17,5L PP. O.STAND. + RALLONGE C.CARRÉ. G. TÔLE**

5	4402010504	PANIER SKIMMER 17,5 LTS	11	4402014001	JOINT SKIM PETIT MODELE PISCINE LINER
6	4402010503	BOUCHON SKIMMER AVEC JOINT	12	* 4402010312	PETIT CADRE SKIMMER (PARKER)
12	* 4402010130	PETIT CADRE SKIMMER (PARKER)	12	* 4402010132	PETIT CADRE SKIMMER (PARKER)
12	* 4402010131	PETIT CADRE SKIMMER (PARKER)			

CODE **11316, 11316CL090, 11316CL129, 11316CL144**

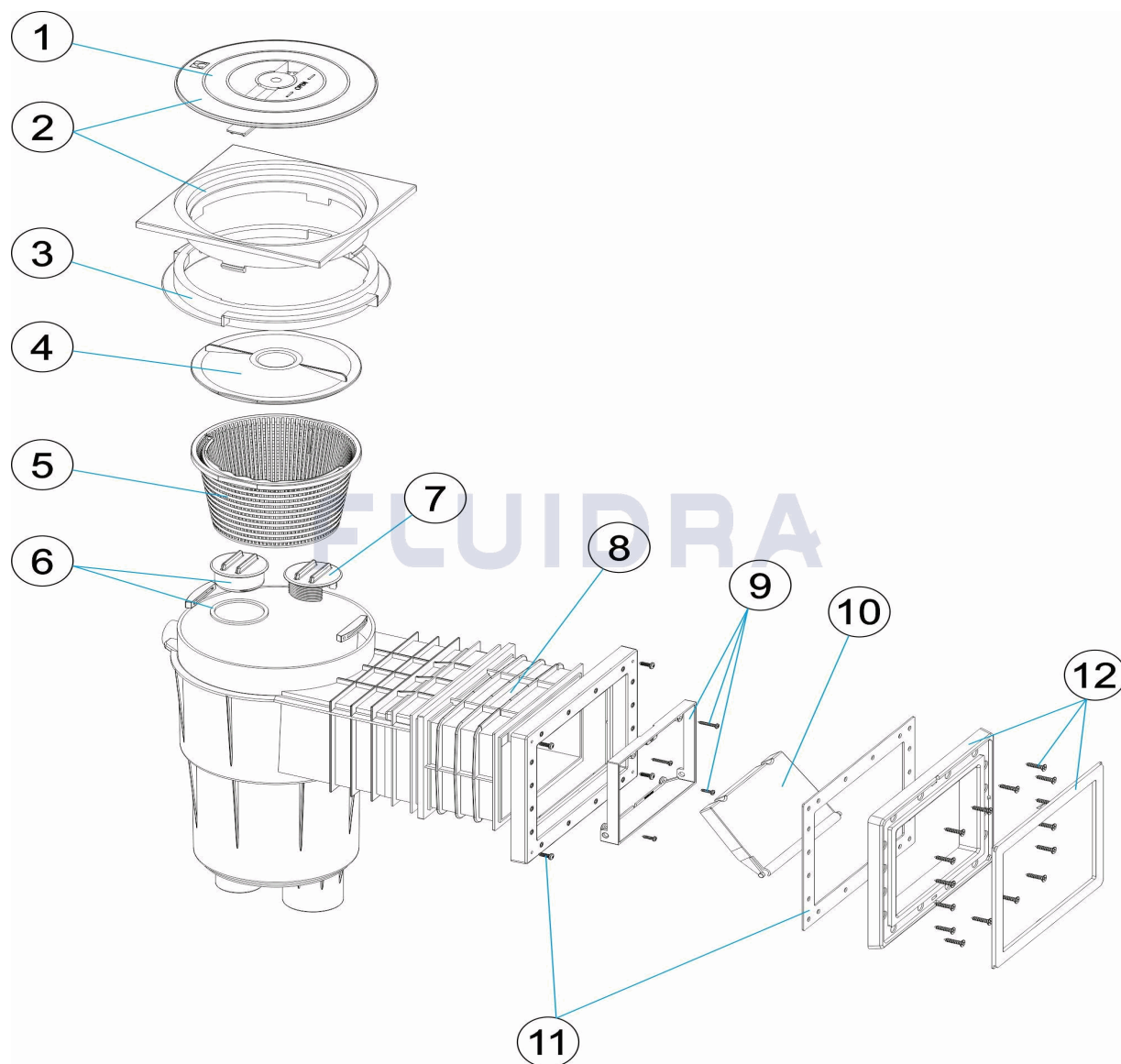
DESCRIPTION: **SKIMMER 17,5L PP. O.STAND. + RALLONGE C.CARRÉ. G. TÔLE**

OBSERVATIONS

POS	CODE	OBSERVATIONS
1	* 4402010509	POUR: 11316 WHITE
1	* 4402010064	POUR: 11316CL090 BEIGE
1	* 4402010066	POUR: 11316CL129 GREY
1	* 4402010041	POUR: 11316CL144 ANTHRACITE
2	* 4402010510	POUR: 11316 WHITE
2	* 05280-0700CL090	POUR: 11316CL090 BEIGE
2	* 05280-0700CL129	POUR: 11316CL129 GREY
2	* 05280-0700CL144	POUR: 11316CL144 ANTHRACITE
3	* 4402010506	POUR: 11316 WHITE
3	* 4402010073	POUR: 11316CL090 BEIGE
3	* 4402010075	POUR: 11316CL129 GREY
3	* 4402010039	POUR: 11316CL144 ANTHRACITE
8	* 4402010082	POUR: 11316 WHITE
8	* 4402010127	POUR: 11316CL090 BEIGE
8	* 4402010128	POUR: 11316CL129 GREY
8	* 4402010129	POUR: 11316CL144 ANTHRACITE
9	* 4402010508	POUR: 11316 WHITE
9	* 4402010119	POUR: 11316CL090 BEIGE
9	* 4402010120	POUR: 11316CL129 GREY
9	* 4402010042	POUR: 11316CL144 ANTHRACITE
10	* 4402010501	POUR: 11316 WHITE
10	* 4402010076	POUR: 11316CL090 BEIGE
10	* 4402010079	POUR: 11316CL129 GREY
10	* 4402010080	POUR: 11316CL144 ANTHRACITE
12	* 4402010312	POUR: 11316 WHITE
12	* 4402010130	POUR: 11316CL090 BEIGE
12	* 4402010131	POUR: 11316CL129 GREY
12	* 4402010132	POUR: 11316CL144 ANTHRACITE

CODE 11316, 11316CL090, 11316CL129, 11316CL144

DESCRIPTION: SKIMMER 17.5L PP. STANDARD MOUTH + EXTENSION SQUARE COVER T



ENGLISH

POS	CODE	DESCRIPTION	QUANTITY	POS	CODE	DESCRIPTION	QUANTITY
1	* 4402010509	SKIMMER LID		7	4402010502	REGULATING PLUG	
1	* 4402010064	SKIMMER LID		8	* 4402010082	SKIMMER THROAT	
1	* 4402010066	SKIMMER LID		8	* 4402010127	SKIMMER THROAT	
1	* 4402010041	SKIMMER LID		8	* 4402010128	SKIMMER THROAT	
2	* 4402010510	SQUARE RIM AND LID		8	* 4402010129	SKIMMER THROAT	
2	* 05280-0700CL090	SQUARE RIM AND LID		9	* 4402010508	FLAP FRAME	
2	* 05280-0700CL129	SQUARE RIM AND LID		9	* 4402010119	FLAP FRAME	
2	* 05280-0700CL144	SQUARE RIM AND LID		9	* 4402010120	FLAP FRAME	
3	* 4402010506	COLLAR EXTENSION RING		9	* 4402010042	FLAP FRAME	
3	* 4402010073	COLLAR EXTENSION RING		10	* 4402010501	SKIMMER FLAP	
3	* 4402010075	COLLAR EXTENSION RING		10	* 4402010076	SKIMMER FLAP	
3	* 4402010039	COLLAR EXTENSION RING		10	* 4402010079	SKIMMER FLAP	
4	4402010505	VACUUM PLATE		10	* 4402010080	SKIMMER FLAP	

* SEE OBSERVATIONS SHEET

CODE **11316, 11316CL090, 11316CL129, 11316CL144**

DESCRIPTION: **SKIMMER 17.5L PP. STANDARD MOUTH + EXTENSION SQUARE COVER T**

5	4402010504	BASKET 17,5 LITRES	11	4402014001	SMALL SKIMMER GASKETS FOR LINER PO
6	4402010503	BLANKING PLUG AND 'O' RING	12	* 4402010312	SMALL SKIMMER FRAME (PARKER)
12	* 4402010130	SMALL SKIMMER FRAME (PARKER)	12	* 4402010132	SMALL SKIMMER FRAME (PARKER)
12	* 4402010131	SMALL SKIMMER FRAME (PARKER)			

CODE **11316, 11316CL090, 11316CL129, 11316CL144**

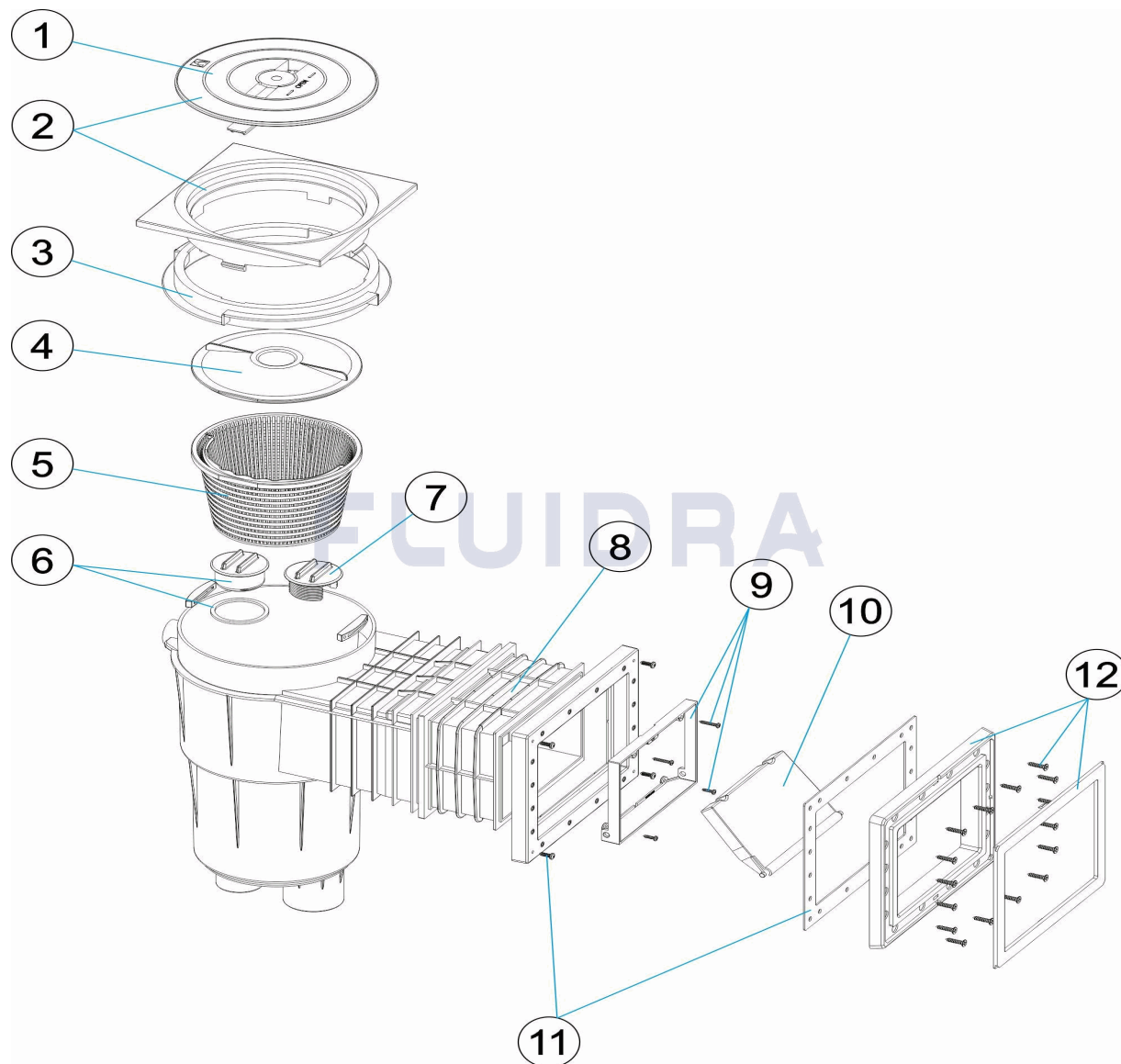
DESCRIPTION: **SKIMMER 17.5L PP. STANDARD MOUTH + EXTENSION SQUARE COVER T**

OBSERVATIONS

POS	CODE	OBSERVATIONS
1	* 4402010509	FOR: 11316 WHITE
1	* 4402010064	FOR: 11316CL090 BEIGE
1	* 4402010066	FOR: 11316CL129 GREY
1	* 4402010041	FOR: 11316CL144 ANTHRACITE
2	* 4402010510	FOR: 11316 WHITE
2	* 05280-0700CL090	FOR: 11316CL090 BEIGE
2	* 05280-0700CL129	FOR: 11316CL129 GREY
2	* 05280-0700CL144	FOR: 11316CL144 ANTHRACITE
3	* 4402010506	FOR: 11316 WHITE
3	* 4402010073	FOR: 11316CL090 BEIGE
3	* 4402010075	FOR: 11316CL129 GREY
3	* 4402010039	FOR: 11316CL144 ANTHRACITE
8	* 4402010082	FOR: 11316 WHITE
8	* 4402010127	FOR: 11316CL090 BEIGE
8	* 4402010128	FOR: 11316CL129 GREY
8	* 4402010129	FOR: 11316CL144 ANTHRACITE
9	* 4402010508	FOR: 11316 WHITE
9	* 4402010119	FOR: 11316CL090 BEIGE
9	* 4402010120	FOR: 11316CL129 GREY
9	* 4402010042	FOR: 11316CL144 ANTHRACITE
10	* 4402010501	FOR: 11316 WHITE
10	* 4402010076	FOR: 11316CL090 BEIGE
10	* 4402010079	FOR: 11316CL129 GREY
10	* 4402010080	FOR: 11316CL144 ANTHRACITE
12	* 4402010312	FOR: 11316 WHITE
12	* 4402010130	FOR: 11316CL090 BEIGE
12	* 4402010131	FOR: 11316CL129 GREY
12	* 4402010132	FOR: 11316CL144 ANTHRACITE

CODICE 11316, 11316CL090, 11316CL129, 11316CL144

DESCRIZIONE: SKIMMER 17,5L PP B. STD. + ESTENSIONE T. QUADRATO R. LASTRA



ITALIANO

POS	CODICE	DESCRIZIONE	QUANTITA'	POS	CODICE	DESCRIZIONE	QUANTITA'
1	* 4402010509	COPERCHIO SKIMMER		7	4402010502	TAPPO DI REGOLAZIONE	
1	* 4402010064	COPERCHIO SKIMMER		8	* 4402010082	BOCCA INTERMEDIA SKIMMER	
1	* 4402010066	COPERCHIO SKIMMER		8	* 4402010127	BOCCA INTERMEDIA SKIMMER	
1	* 4402010041	COPERCHIO SKIMMER		8	* 4402010128	BOCCA INTERMEDIA SKIMMER	
2	* 4402010510	FLANGIA QUADRATA E COPERCHIO		8	* 4402010129	BOCCA INTERMEDIA SKIMMER	
2	* 05280-0700CL090	FLANGIA QUADRATA E COPERCHIO		9	* 4402010508	CORNICE BATTENTE SKIMMER	
2	* 05280-0700CL129	FLANGIA QUADRATA E COPERCHIO		9	* 4402010119	CORNICE BATTENTE SKIMMER	
2	* 05280-0700CL144	FLANGIA QUADRATA E COPERCHIO		9	* 4402010120	CORNICE BATTENTE SKIMMER	
3	* 4402010506	ANELLO DISTANZIATORE SKIMMER		9	* 4402010042	CORNICE BATTENTE SKIMMER	
3	* 4402010073	ANELLO DISTANZIATORE SKIMMER		10	* 4402010501	BATTENTE SKIMMER CON CLIP	
3	* 4402010075	ANELLO DISTANZIATORE SKIMMER		10	* 4402010076	BATTENTE SKIMMER CON CLIP	
3	* 4402010039	ANELLO DISTANZIATORE SKIMMER		10	* 4402010079	BATTENTE SKIMMER CON CLIP	
4	4402010505	COPERCHIO CESTELLO SKIMMER		10	* 4402010080	BATTENTE SKIMMER CON CLIP	

* SI FACCIA RIFERIMENTO AL FOGLIO DELLE OSSERVAZIONI

CODICE **11316, 11316CL090, 11316CL129, 11316CL144**

DESCRIZIONE: **SKIMMER 17,5L PP B. STD. + ESTENSIONE T. QUADRATO R. LASTRA**

5	4402010504	CESTELLO SKIMMER DA 17,5 LITRI	11	4402014001	GUARNIZIONE PER SKIMMER BASE P.F.
6	4402010503	TAPPO CON GUARNIZIONE	12	* 4402010312	FLANGIA SKIMMER (PARKER)
12	* 4402010130	FLANGIA SKIMMER (PARKER)	12	* 4402010132	FLANGIA SKIMMER (PARKER)
12	* 4402010131	FLANGIA SKIMMER (PARKER)			

CODICE **11316, 11316CL090, 11316CL129, 11316CL144**

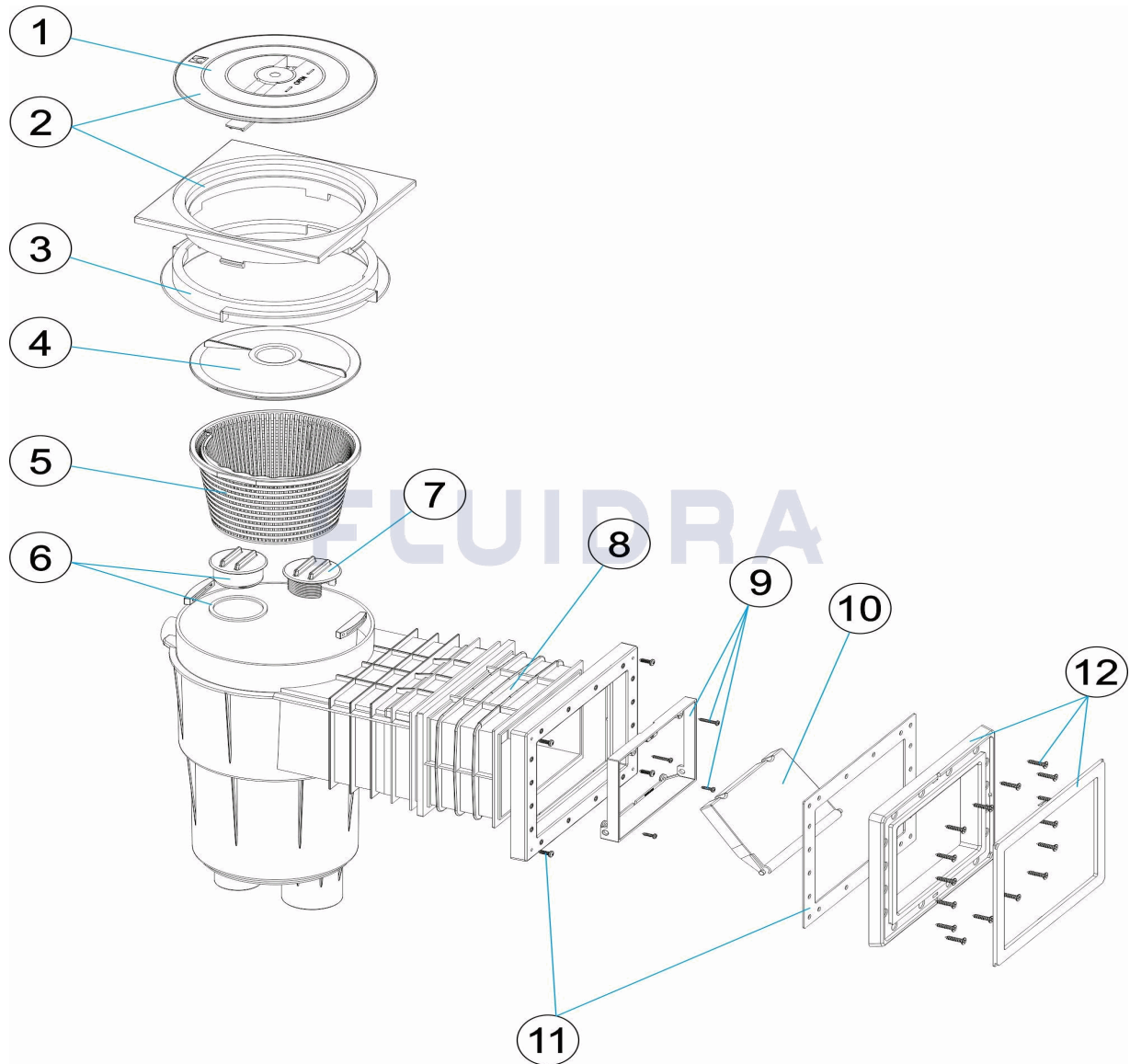
DESCRIZIONE: **SKIMMER 17,5L PP B. STD. + ESTENSIONE T. QUADRATO R. LASTRA**

OSSERVAZIONI

POS	CODICE	OSSERVAZIONI
1	* 4402010509	PER: 11316 WHITE
1	* 4402010064	PER: 11316CL090 BEIGE
1	* 4402010066	PER: 11316CL129 GREY
1	* 4402010041	PER: 11316CL144 ANTHRACITE
2	* 4402010510	PER: 11316 WHITE
2	* 05280-0700CL090	PER: 11316CL090 BEIGE
2	* 05280-0700CL129	PER: 11316CL129 GREY
2	* 05280-0700CL144	PER: 11316CL144 ANTHRACITE
3	* 4402010506	PER: 11316 WHITE
3	* 4402010073	PER: 11316CL090 BEIGE
3	* 4402010075	PER: 11316CL129 GREY
3	* 4402010039	PER: 11316CL144 ANTHRACITE
8	* 4402010082	PER: 11316 WHITE
8	* 4402010127	PER: 11316CL090 BEIGE
8	* 4402010128	PER: 11316CL129 GREY
8	* 4402010129	PER: 11316CL144 ANTHRACITE
9	* 4402010508	PER: 11316 WHITE
9	* 4402010119	PER: 11316CL090 BEIGE
9	* 4402010120	PER: 11316CL129 GREY
9	* 4402010042	PER: 11316CL144 ANTHRACITE
10	* 4402010501	PER: 11316 WHITE
10	* 4402010076	PER: 11316CL090 BEIGE
10	* 4402010079	PER: 11316CL129 GREY
10	* 4402010080	PER: 11316CL144 ANTHRACITE
12	* 4402010312	PER: 11316 WHITE
12	* 4402010130	PER: 11316CL090 BEIGE
12	* 4402010131	PER: 11316CL129 GREY
12	* 4402010132	PER: 11316CL144 ANTHRACITE

CODE **11316, 11316CL090, 11316CL129, 11316CL144**

BESCHREIBUNG: **SKIMMER 17,5L PP. EINLASS STANDARD + VERLÄNGERUNG ABDECKU**



DEUTSCH

POS	CODE	BESCHREIBUNG	MENGE	POS	CODE	BESCHREIBUNG	MENGE
1	* 4402010509	SKIMMERDECKEL		7	4402010502	STOPFEN REGULIERUNG	
1	* 4402010064	SKIMMERDECKEL		8	* 4402010082	EINLASS MITTIG SKIMMER	
1	* 4402010066	SKIMMERDECKEL		8	* 4402010127	EINLASS MITTIG SKIMMER	
1	* 4402010041	SKIMMERDECKEL		8	* 4402010128	EINLASS MITTIG SKIMMER	
2	* 4402010510	QUADRATISCHER RAHMEN UND ABDECKL		8	* 4402010129	EINLASS MITTIG SKIMMER	
2	* 05280-0700CL090	QUADRATISCHER RAHMEN UND ABDECKL		9	* 4402010508	RAHMEN SKIMMERKLAPPE	
2	* 05280-0700CL129	QUADRATISCHER RAHMEN UND ABDECKL		9	* 4402010119	RAHMEN SKIMMERKLAPPE	
2	* 05280-0700CL144	QUADRATISCHER RAHMEN UND ABDECKL		9	* 4402010120	RAHMEN SKIMMERKLAPPE	
3	* 4402010506	DISTANZRING SKIMMER		9	* 4402010042	RAHMEN SKIMMERKLAPPE	
3	* 4402010073	DISTANZRING SKIMMER		10	* 4402010501	SKIMMERKLAPPE MIT CLIP	
3	* 4402010075	DISTANZRING SKIMMER		10	* 4402010076	SKIMMERKLAPPE MIT CLIP	
3	* 4402010039	DISTANZRING 17,5 L		10	* 4402010079	SKIMMERKLAPPE MIT CLIP	
4	4402010505	ABDECKUNG SKIMMKORB		10	* 4402010080	SKIMMERKLAPPE MIT CLIP	

* SIEHE ANMERKUGSBLATT

CODE **11316, 11316CL090, 11316CL129, 11316CL144**

BESCHREIBUNG: **SKIMMER 17,5L PP. EINLASS STANDARD + VERLÄNGERUNG ABDECKU**

5	4402010504	SKIMMERKORB 17,5 L	11	4402014001	DICHTUNG SKIMMER KLEIN FERTIGBECKE
6	4402010503	STOPFEN UND DICHTUNG	12	* 4402010312	KLEINER SKIMMERRAHMEN (PARKER)
12	* 4402010130	KLEINER SKIMMERRAHMEN (PARKER)	12	* 4402010132	KLEINER SKIMMERRAHMEN (PARKER)
12	* 4402010131	KLEINER SKIMMERRAHMEN (PARKER)			

CODE **11316, 11316CL090, 11316CL129, 11316CL144**

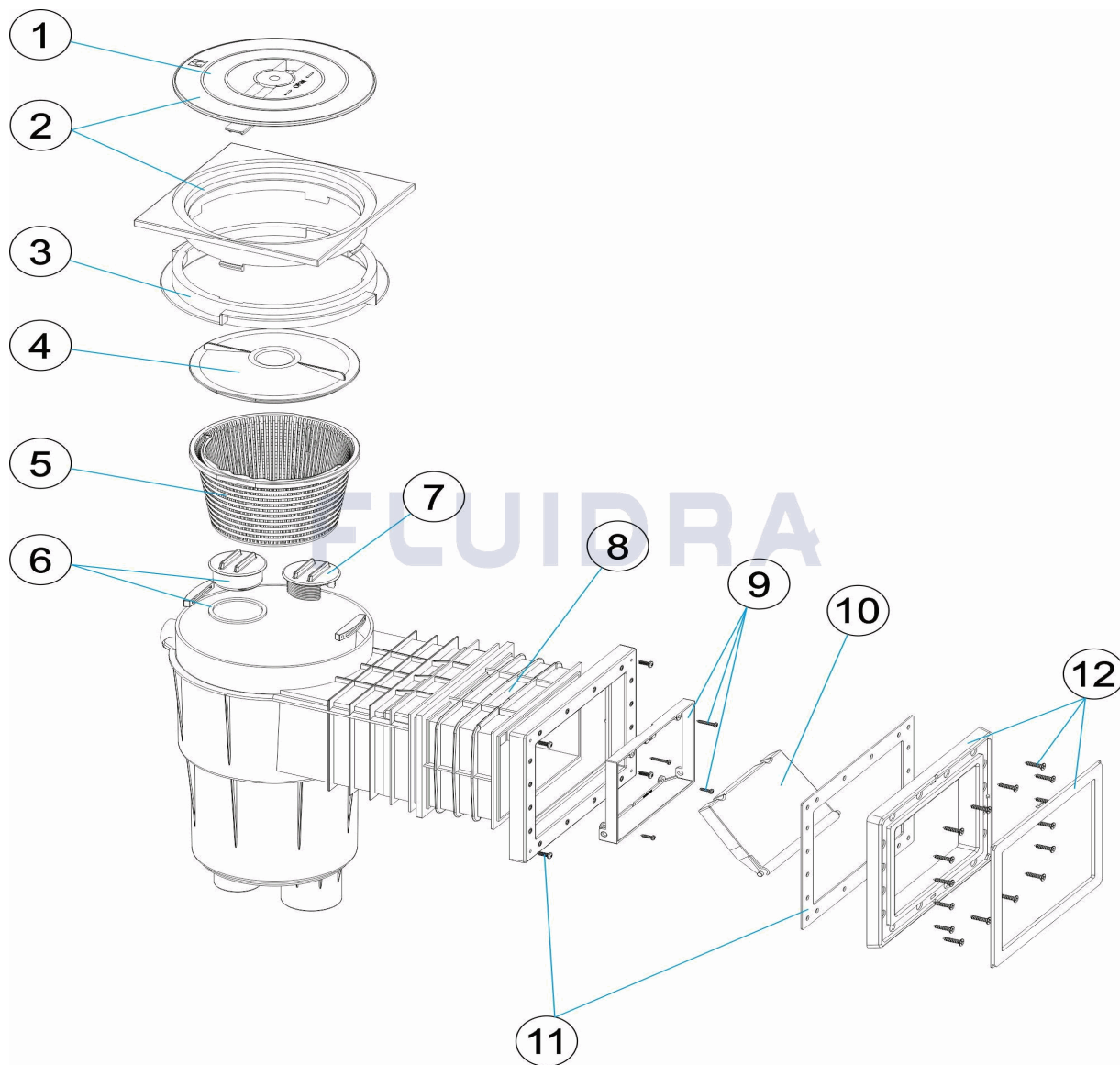
BESCHREIBUNG: **SKIMMER 17,5L PP. EINLASS STANDARD + VERLÄNGERUNG ABDECKU**

HINWEISE

POS	CODE	HINWEISE
1	* 4402010509	FÜR: 11316 WHITE
1	* 4402010064	FÜR: 11316CL090 BEIGE
1	* 4402010066	FÜR: 11316CL129 GREY
1	* 4402010041	FÜR: 11316CL144 ANTHRACITE
2	* 4402010510	FÜR: 11316 WHITE
2	* 05280-0700CL090	FÜR: 11316CL090 BEIGE
2	* 05280-0700CL129	FÜR: 11316CL129 GREY
2	* 05280-0700CL144	FÜR: 11316CL144 ANTHRACITE
3	* 4402010506	FÜR: 11316 WHITE
3	* 4402010073	FÜR: 11316CL090 BEIGE
3	* 4402010075	FÜR: 11316CL129 GREY
3	* 4402010039	FÜR: 11316CL144 ANTHRACITE
8	* 4402010082	FÜR: 11316 WHITE
8	* 4402010127	FÜR: 11316CL090 BEIGE
8	* 4402010128	FÜR: 11316CL129 GREY
8	* 4402010129	FÜR: 11316CL144 ANTHRACITE
9	* 4402010508	FÜR: 11316 WHITE
9	* 4402010119	FÜR: 11316CL090 BEIGE
9	* 4402010120	FÜR: 11316CL129 GREY
9	* 4402010042	FÜR: 11316CL144 ANTHRACITE
10	* 4402010501	FÜR: 11316 WHITE
10	* 4402010076	FÜR: 11316CL090 BEIGE
10	* 4402010079	FÜR: 11316CL129 GREY
10	* 4402010080	FÜR: 11316CL144 ANTHRACITE
12	* 4402010312	FÜR: 11316 WHITE
12	* 4402010130	FÜR: 11316CL090 BEIGE
12	* 4402010131	FÜR: 11316CL129 GREY
12	* 4402010132	FÜR: 11316CL144 ANTHRACITE

CODIGO 11316, 11316CL090, 11316CL129, 11316CL144

DESCRIÇÃO: SKIMMER 17,5 L PP. B. STAND. + EXTENSÃO T. QUADR. R. CHAPA



PORTUGUES

POS	CODIGO	DESCRIÇÃO	JANTIDADE	POS	CODIGO	DESCRIÇÃO	JANTIDADE
1	* 4402010509	TAMPA SKIMMER		7	4402010502	TAMPA REGULADORA	
1	* 4402010064	TAMPA SKIMMER		8	* 4402010082	BOCA INTERMÉDIA DE SKIMMER	
1	* 4402010066	TAMPA SKIMMER		8	* 4402010127	BOCA INTERMÉDIA DE SKIMMER	
1	* 4402010041	TAMPA SKIMMER		8	* 4402010128	BOCA INTERMÉDIA DE SKIMMER	
2	* 4402010510	ARO QUADRADO E TAMPA		8	* 4402010129	BOCA INTERMÉDIA DE SKIMMER	
2	* 05280-0700CL090	ARO QUADRADO E TAMPA		9	* 4402010508	CAIXILHO COMPORTA SKIMMER	
2	* 05280-0700CL129	ARO QUADRADO E TAMPA		9	* 4402010119	CAIXILHO COMPORTA SKIMMER	
2	* 05280-0700CL144	ARO QUADRADO E TAMPA		9	* 4402010120	CAIXILHO COMPORTA SKIMMER	
3	* 4402010506	ANEL DISTANCIADOR SKIMMER		9	* 4402010042	CAIXILHO COMPORTA SKIMMER	
3	* 4402010073	ANEL DISTANCIADOR SKIMMER		10	* 4402010501	COMPORTA SKIMMER CLIP	
3	* 4402010075	ANEL DISTANCIADOR SKIMMER		10	* 4402010076	COMPORTA SKIMMER CLIP	
3	* 4402010039	ANEL DISTANCIADOR SKIMMER		10	* 4402010079	COMPORTA SKIMMER CLIP	
4	4402010505	TAMPA CESTO SKIMMER		10	* 4402010080	COMPORTA SKIMMER CLIP	

*** VEJA A FICHA DE OBSERVAÇÕES**

CODIGO 11316, 11316CL090, 11316CL129, 11316CL144

DESCRIÇÃO: SKIMMER 17,5 L PP. B. STAND. + EXTENSÃO T. QUADR. R. CHAPA

5	4402010504	CESTO SKIMMER 17,5 LTS	11	4402014001	JUNTA PEQUENA DE SKIMMER
6	4402010503	TAMPA COM JUNTA	12	* 4402010312	CAIXILHO BOCA SKIMMER (PARKER)
12	* 4402010130	CAIXILHO BOCA SKIMMER (PARKER)	12	* 4402010132	CAIXILHO BOCA SKIMMER (PARKER)
12	* 4402010131	CAIXILHO BOCA SKIMMER (PARKER)			

CODIGO 11316, 11316CL090, 11316CL129, 11316CL144

DESCRIÇÃO: SKIMMER 17,5 L PP. B. STAND. + EXTENSÃO T. QUADR. R. CHAPA

OBSERVAÇÕES

POS	CODIGO	OBSERVAÇÕES
1	* 4402010509	PARA: 11316 WHITE
1	* 4402010064	PARA: 11316CL090 BEIGE
1	* 4402010066	PARA: 11316CL129 GREY
1	* 4402010041	PARA: 11316CL144 ANTHRACITE
2	* 4402010510	PARA: 11316 WHITE
2	* 05280-0700CL090	PARA: 11316CL090 BEIGE
2	* 05280-0700CL129	PARA: 11316CL129 GREY
2	* 05280-0700CL144	PARA: 11316CL144 ANTHRACITE
3	* 4402010506	PARA: 11316 WHITE
3	* 4402010073	PARA: 11316CL090 BEIGE
3	* 4402010075	PARA: 11316CL129 GREY
3	* 4402010039	PARA: 11316CL144 ANTHRACITE
8	* 4402010082	PARA: 11316 WHITE
8	* 4402010127	PARA: 11316CL090 BEIGE
8	* 4402010128	PARA: 11316CL129 GREY
8	* 4402010129	PARA: 11316CL144 ANTHRACITE
9	* 4402010508	PARA: 11316 WHITE
9	* 4402010119	PARA: 11316CL090 BEIGE
9	* 4402010120	PARA: 11316CL129 GREY
9	* 4402010042	PARA: 11316CL144 ANTHRACITE
10	* 4402010501	PARA: 11316 WHITE
10	* 4402010076	PARA: 11316CL090 BEIGE
10	* 4402010079	PARA: 11316CL129 GREY
10	* 4402010080	PARA: 11316CL144 ANTHRACITE
12	* 4402010312	PARA: 11316 WHITE
12	* 4402010130	PARA: 11316CL090 BEIGE
12	* 4402010131	PARA: 11316CL129 GREY
12	* 4402010132	PARA: 11316CL144 ANTHRACITE