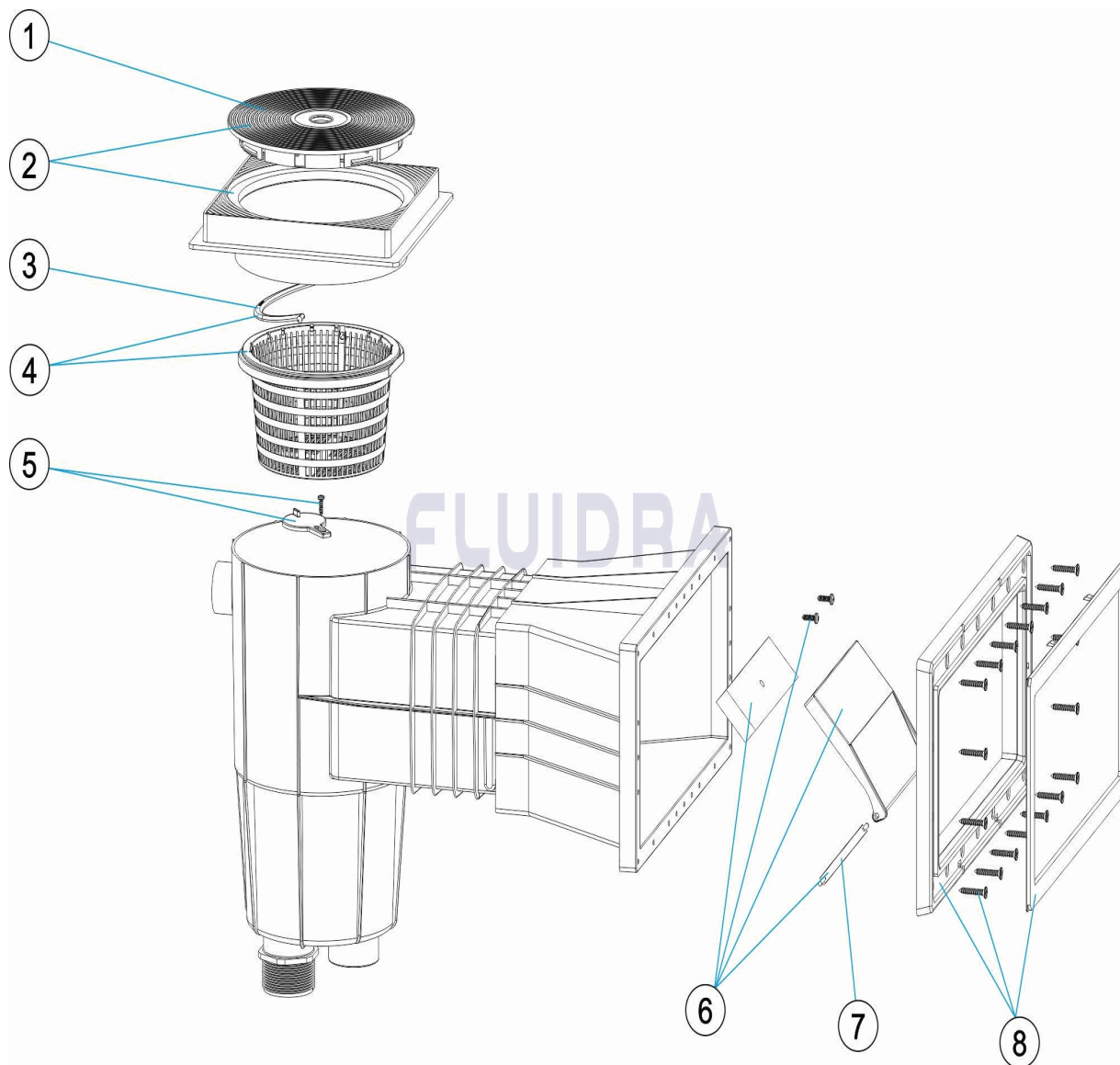


**CODIGO 06470, 06470CL090, 06470CL129, 06470CL144**

**DESCRIPCION: SKIMMER 1,5 L. PIS. PREF. BOCA ANCHA TORNILLO AUTOROSCANTE**



**ESPAÑOL**

POS	CODIGO	DESCRIPCION	CANTIDAD	POS	CODIGO	DESCRIPCION	CANTIDAD
1	4402010108	TAPA CIRCULAR SKIMMER		6	* 4402010030	CONJUNTO COMPUERTA SKIMMER + FLOT	
2	4402010106	TAPA Y ARO CUADRADO SKIMMER		6	* 4402010072	COMPUERTA SKIMMER BISAGRA	
3	4402010103	CESTO SKIMMER		7	4402010110	BISAGRA COMPUERTA	
4	4402010111	ASA CESTO SKIMMER		8	* 4402010025	MARCO BOCA SKIMMER PISC. PREF.	
5	4402010102	CLAPETA SKIMMER		8	* 4402010241	MARCO BOCA SKIMMER PISC. PREF.	
6	* 4402010101	COMPUERTA SKIMMER BISAGRA		8	* 4402010242	MARCO BOCA SKIMMER PISC. PREF.	
6	* 4402010026	CONJUNTO COMPUERTA SKIMMER + FLOT		8	* 4402010243	MARCO BOCA SKIMMER PISC. PREF.	

**CODIGO 06470, 06470CL090, 06470CL129, 06470CL144**

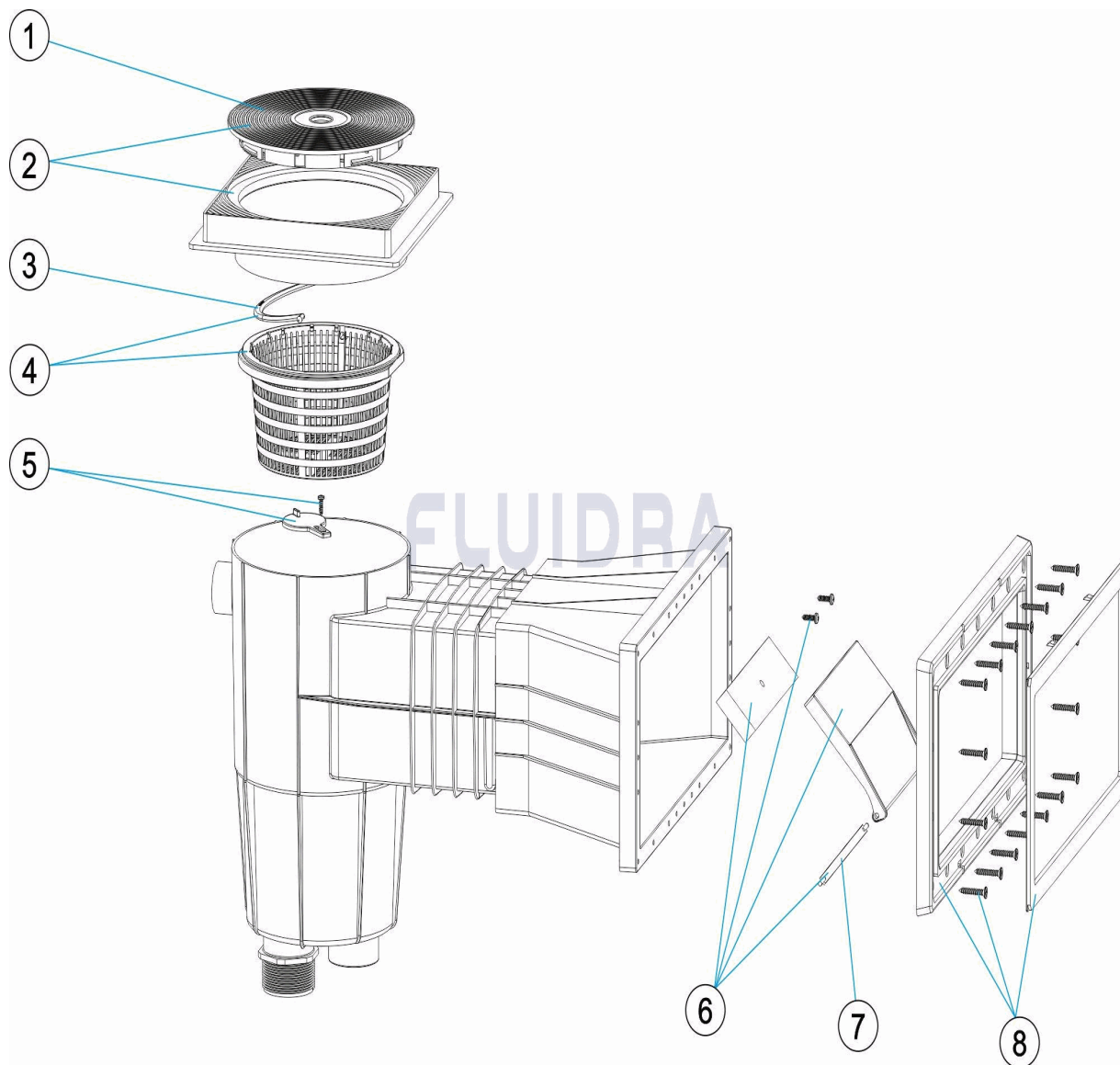
**DESCRIPCION: SKIMMER 1,5 L. PIS. PREF. BOCA ANCHA TORNILLO AUTOROSCANTE**

## OBSERVACIONES

POS	CODIGO	OBSERVACIONES
6	* 4402010101	PARA: 06470 WHITE
6	* 4402010026	PARA: 06470CL090 BEIGE
6	* 4402010030	PARA: 06470CL129 GREY
6	* 4402010072	PARA: 06470CL144 ANTHRACITE
8	* 4402010025	PARA: 06470 WHITE
8	* 4402010241	PARA: 06470CL090 BEIGE
8	* 4402010242	PARA: 06470CL129 GREY
8	* 4402010243	PARA: 06470CL144 ANTHRACITE

CODE 06470, 06470CL090, 06470CL129, 06470CL144

DESCRIPTION: SKIMMER 15L PP O. LARGE VIS. AUTOT.



FRANCAIS

POS	CODE	DESCRIPTION	QUANTITE	POS	CODE	DESCRIPTION	QUANTITE
1	4402010108	COUVERCLE ROND SKIMMER		6	* 4402010030	VOLET ET CHARNIERE SKIMMER	
2	4402010106	COUVERCLE ET CADRE CARRE SKIMMER		6	* 4402010072	VOLET ET CHARNIERE SKIMMER	
3	4402010103	PANIER SKIMMER		7	4402010110	CHARNIERE VOLET	
4	4402010111	ANSE PANIER SKIMMER		8	* 4402010025	BRIDE ET CACHE VIS KIT LINER	
5	4402010102	CLAPET SKIMMER		8	* 4402010241	BRIDE ET CACHE VIS KIT LINER	
6	* 4402010101	VOLET ET CHARNIERE SKIMMER		8	* 4402010242	BRIDE ET CACHE VIS KIT LINER	
6	* 4402010026	VOLET ET CHARNIERE SKIMMER		8	* 4402010243	BRIDE ET CACHE VIS KIT LINER	

CODE **06470, 06470CL090, 06470CL129, 06470CL144**

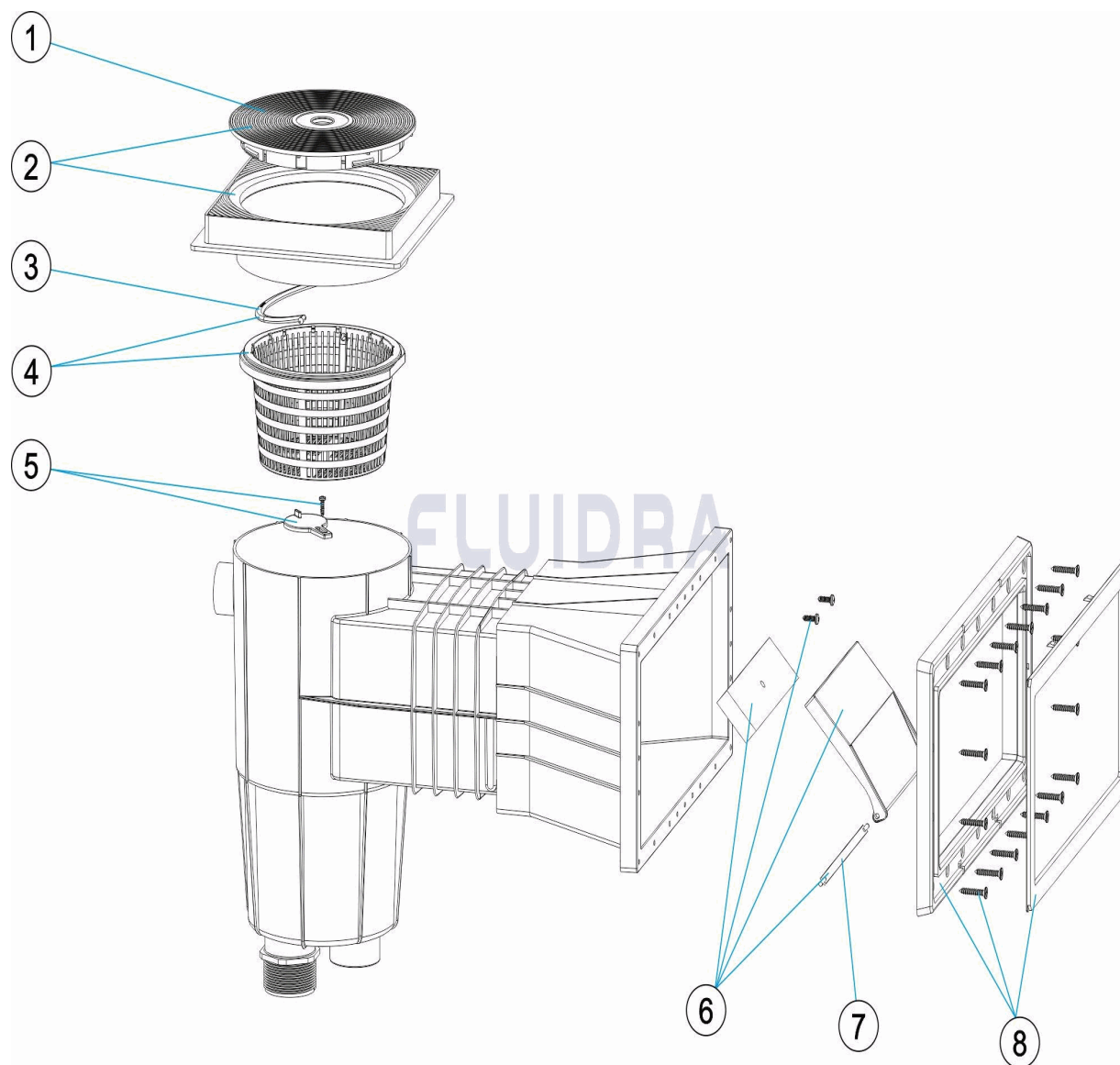
DESCRIPTION: **SKIMMER 15L PP O. LARGE VIS. AUTOT.**

## OBSERVATIONS

POS	CODE	OBSERVATIONS
6	* 4402010101	POUR: 06470 WHITE
6	* 4402010026	POUR: 06470CL090 BEIGE
6	* 4402010030	POUR: 06470CL129 GREY
6	* 4402010072	POUR: 06470CL144 ANTHRACITE
8	* 4402010025	POUR: 06470 WHITE
8	* 4402010241	POUR: 06470CL090 BEIGE
8	* 4402010242	POUR: 06470CL129 GREY
8	* 4402010243	POUR: 06470CL144 ANTHRACITE

CODE **06470, 06470CL090, 06470CL129, 06470CL144**

DESCRIPTION: **SKIMMER 15L PP WIDE MOUTH THREAD-FORMING SCREW**



**ENGLISH**

POS	CODE	DESCRIPTION	QUANTITY	POS	CODE	DESCRIPTION	QUANTITY
1	4402010108	CIRCULAR SKIMMER LID		6	* 4402010030	FLAP RETAINING CLIP	
2	4402010106	SQUARE LID AND LID FRAME		6	* 4402010072	FLAP RETAINING CLIP	
3	4402010103	SKIMMER BASKET		7	4402010110	HINGE FLAP	
4	4402010111	SKIMMER BASKET HANDLE		8	* 4402010025	SKIMMER FRAME FOR LINER	
5	4402010102	KEYHOLE FLAP		8	* 4402010241	SKIMMER FRAME FOR LINER	
6	* 4402010101	FLAP RETAINING CLIP		8	* 4402010242	SKIMMER FRAME FOR LINER	
6	* 4402010026	FLAP RETAINING CLIP		8	* 4402010243	SKIMMER FRAME FOR LINER	

CODE                    **06470, 06470CL090, 06470CL129, 06470CL144**

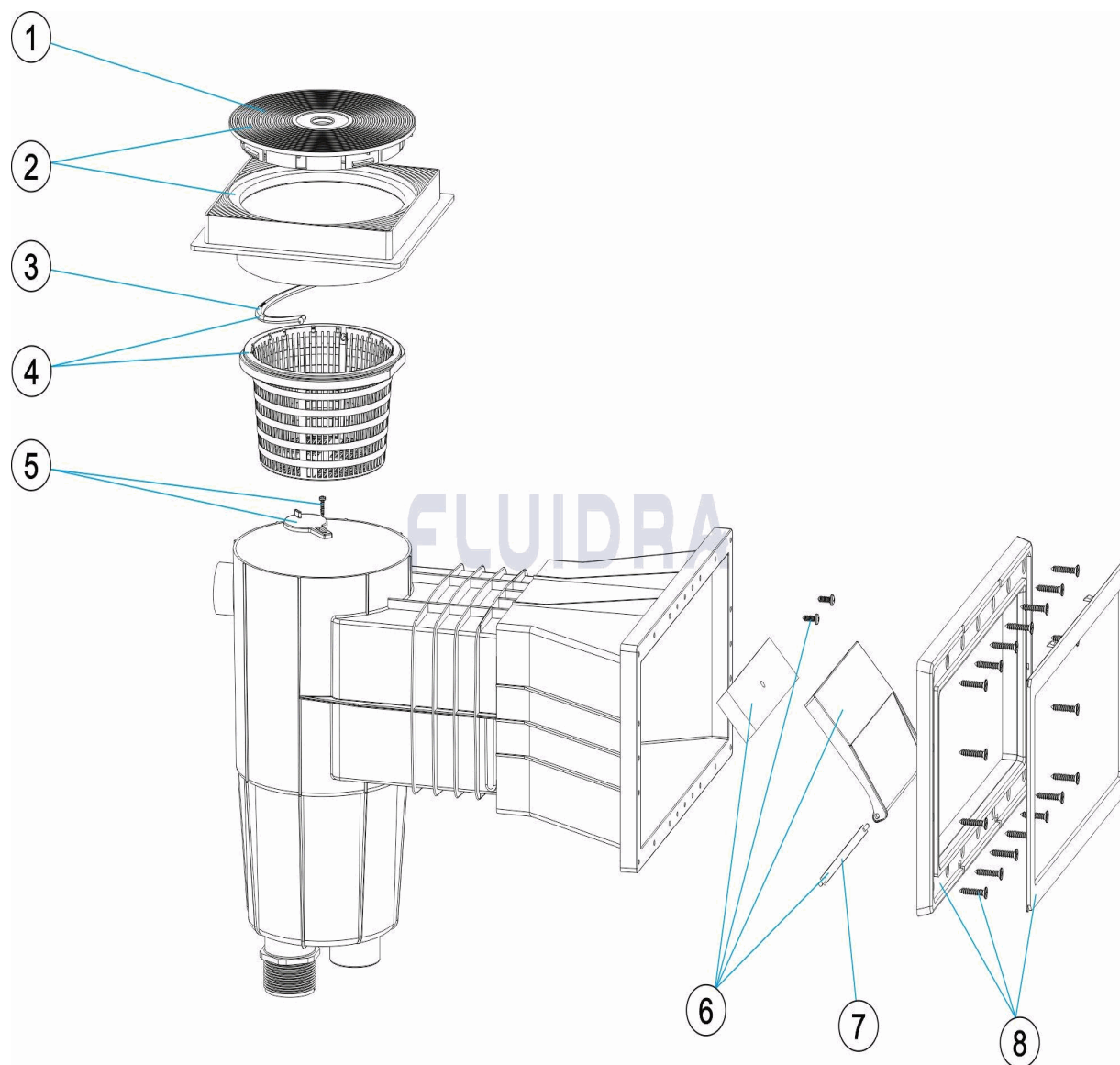
DESCRIPTION: **SKIMMER 15L PP WIDE MOUTH THREAD-FORMING SCREW**

## OBSERVATIONS

POS	CODE	OBSERVATIONS
6	* 4402010101	FOR: 06470 WHITE
6	* 4402010026	FOR: 06470CL090 BEIGE
6	* 4402010030	FOR: 06470CL129 GREY
6	* 4402010072	FOR: 06470CL144 ANTHRACITE
8	* 4402010025	FOR: 06470 WHITE
8	* 4402010241	FOR: 06470CL090 BEIGE
8	* 4402010242	FOR: 06470CL129 GREY
8	* 4402010243	FOR: 06470CL144 ANTHRACITE

CODICE **06470, 06470CL090, 06470CL129, 06470CL144**

DESCRIZIONE: **SKIMMER 15L PP B. LARGA TOR. AUTOFIL.**



**ITALIANO**

POS	CODICE	DESCRIZIONE	QUANTITA'	POS	CODICE	DESCRIZIONE	QUANTITA'
1	4402010108	COPERCHIO TONDO SKIMMER		6	* 4402010030	BATTENTE SKIMMER CON PERNO	
2	4402010106	COPERCHIO E CORNICE QUADRA SKIMME		6	* 4402010072	BATTENTE SKIMMER CON PERNO	
3	4402010103	CESTELLO SKIMMER		7	4402010110	CERNIERE BATTENTE	
4	4402010111	MANIGLIA PANIER SKIMMER		8	* 4402010025	FLANGIA BOCCA SKIMMER PER PISCINA IN	
5	4402010102	ALETTA PARZIALIZZATRICE SKIMMER		8	* 4402010241	FLANGIA BOCCA SKIMMER PER PISCINA IN	
6	* 4402010101	BATTENTE SKIMMER CON PERNO		8	* 4402010242	FLANGIA BOCCA SKIMMER PER PISCINA IN	
6	* 4402010026	BATTENTE SKIMMER CON PERNO		8	* 4402010243	FLANGIA BOCCA SKIMMER PER PISCINA IN	

CODICE **06470, 06470CL090, 06470CL129, 06470CL144**

DESCRIZIONE: **SKIMMER 15L PP B. LARGA TOR. AUTOFIL.**

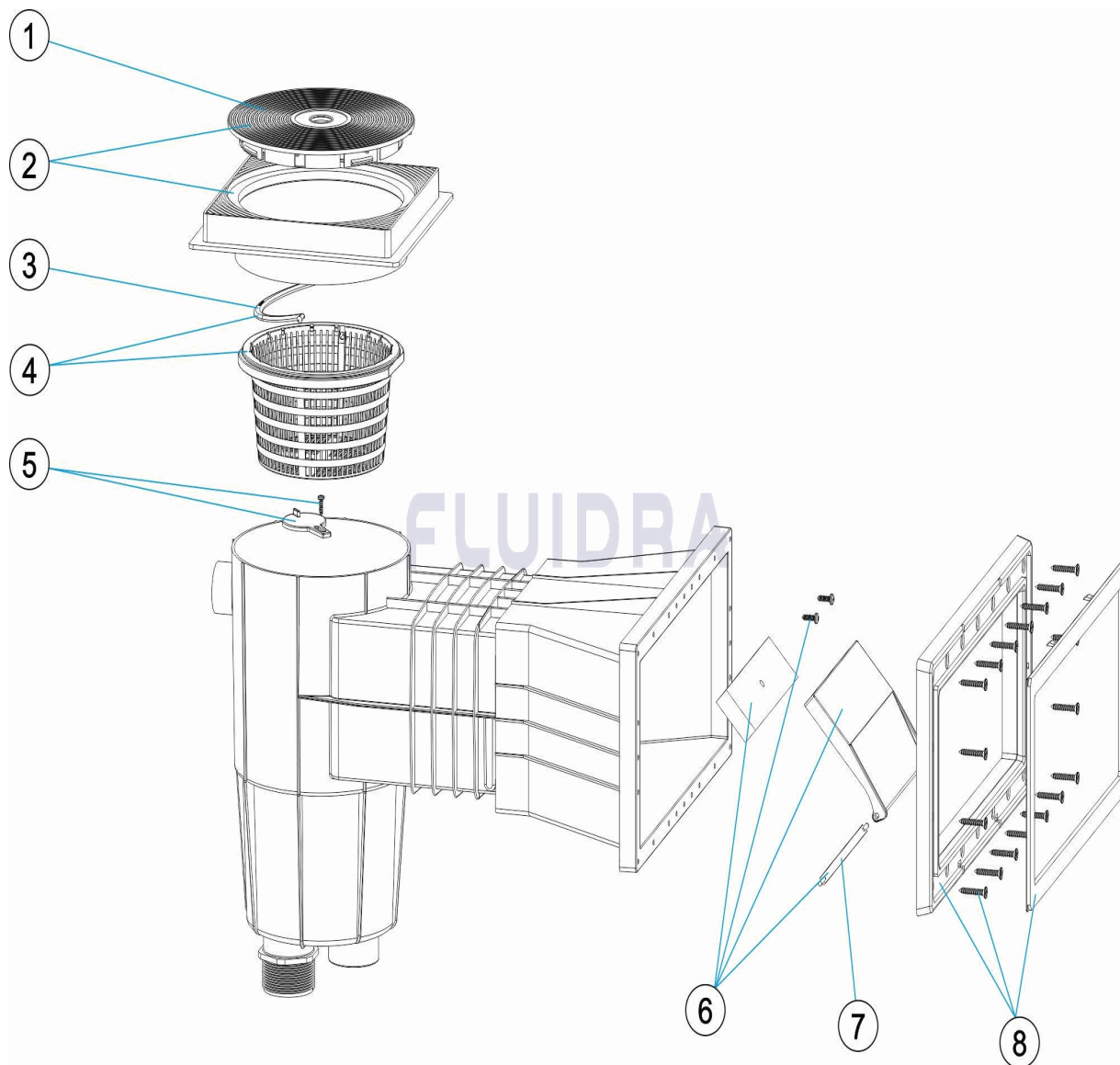
## OSSERVAZIONI

POS	CODICE	OSSERVAZIONI
6	* 4402010101	PER: 06470 WHITE
6	* 4402010026	PER: 06470CL090 BEIGE
6	* 4402010030	PER: 06470CL129 GREY
6	* 4402010072	PER: 06470CL144 ANTHRACITE
8	* 4402010025	PER: 06470 WHITE
8	* 4402010241	PER: 06470CL090 BEIGE
8	* 4402010242	PER: 06470CL129 GREY
8	* 4402010243	PER: 06470CL144 ANTHRACITE



CODE **06470, 06470CL090, 06470CL129, 06470CL144**

BESCHREIBUNG: **SKIMMER 1,5 L FERTIGBECKEN BREITER EINLASS SCHRAUBE SELBS**



**DEUTSCH**

POS	CODE	BESCHREIBUNG	MENGE	POS	CODE	BESCHREIBUNG	MENGE
1	4402010108	ABDECKUNG RUND SKIMMER	6	* 4402010030	SET SKIMMERKLAPPE MIT SCHWIMMER		
2	4402010106	ABDECKUNG UND RING SKIMMER QUADR	6	* 4402010072	SKIMMERKLAPPE SCHARNIER		
3	4402010103	SKIMMERKORB	7	4402010110	SCHARNIER Klappe		
4	4402010111	GRIFF SKIMMKORB	8	* 4402010025	RAHMEN SKIMMEREINLASS FERTIGBECKE		
5	4402010102	ABDECKKAPPE	8	* 4402010241	RAHMEN SKIMMEREINLASS FERTIGBECKE		
6	* 4402010101	SKIMMERKLAPPE SCHARNIER	8	* 4402010242	RAHMEN SKIMMEREINLASS FERTIGBECKE		
6	* 4402010026	SET SKIMMERKLAPPE MIT SCHWIMMER	8	* 4402010243	RAHMEN SKIMMEREINLASS FERTIGBECKE		

CODE **06470, 06470CL090, 06470CL129, 06470CL144**

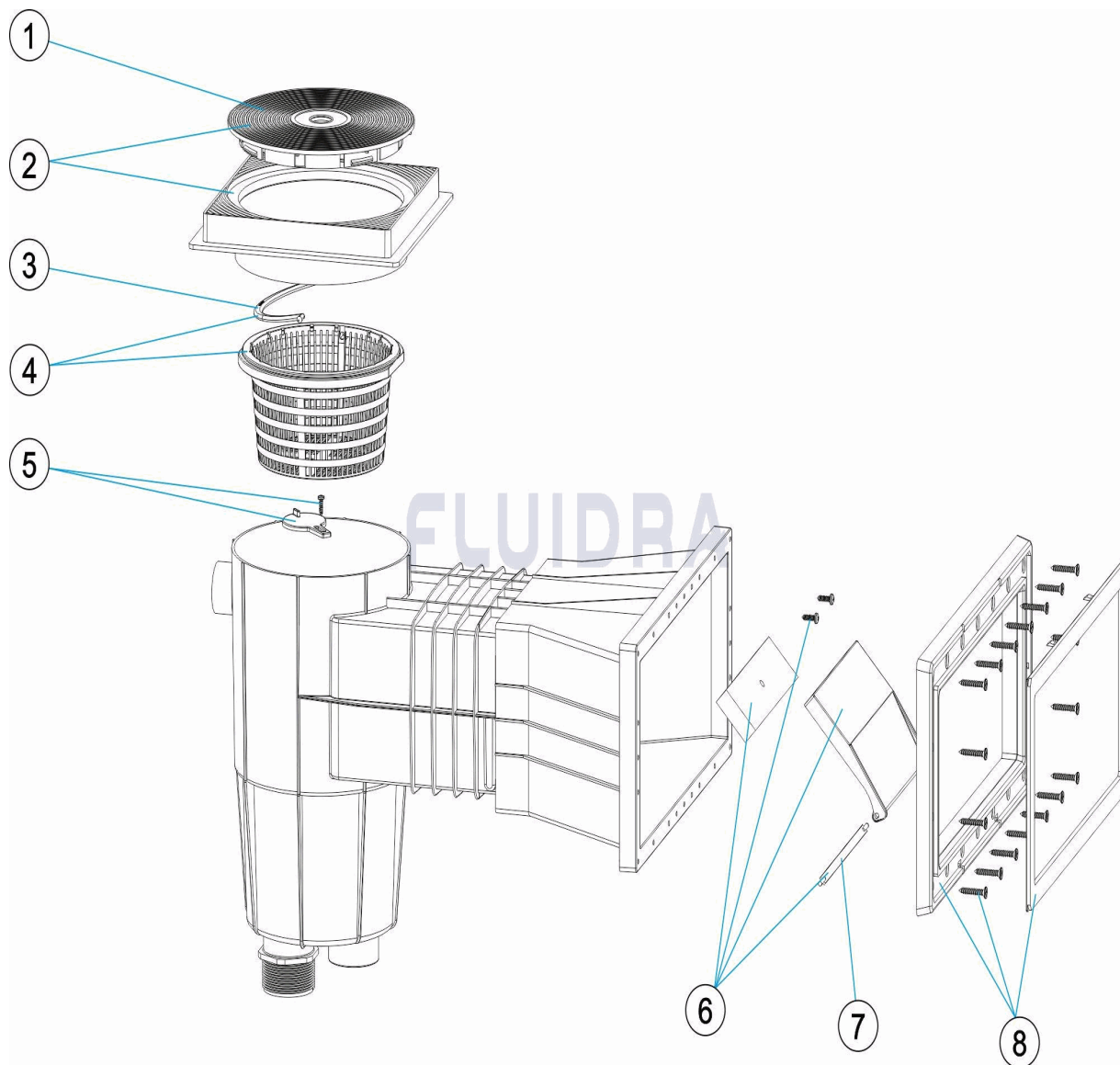
BESCHREIBUNG: **SKIMMER 1,5 L FERTIGBECKEN BREITER EINLASS SCHRAUBE SELBS**

## HINWEISE

POS	CODE	HINWEISE
6	* 4402010101	FÜR: 06470 WHITE
6	* 4402010026	FÜR: 06470CL090 BEIGE
6	* 4402010030	FÜR: 06470CL129 GREY
6	* 4402010072	FÜR: 06470CL144 ANTHRACITE
8	* 4402010025	FÜR: 06470 WHITE
8	* 4402010241	FÜR: 06470CL090 BEIGE
8	* 4402010242	FÜR: 06470CL129 GREY
8	* 4402010243	FÜR: 06470CL144 ANTHRACITE

**CODIGO 06470, 06470CL090, 06470CL129, 06470CL144**

**DESCRICÃO: SKIMMER 15 L PP B. LARGA TOR. AUTOR.**



**PORTUGUES**

POS	CODIGO	DESCRICÃO	JANTIDADE	POS	CODIGO	DESCRICÃO	JANTIDADE
1	4402010108	TAMPA CIRCULAR SKIMMER		6	* 4402010030	COMPORTA SKIMMER BISAGRA	
2	4402010106	TAMPA E ARO QUADRADO SKIMMER		6	* 4402010072	COMPORTA SKIMMER BISAGRA	
3	4402010103	CESTO SKIMMER		7	4402010110	DOBRADIÇA COMPORTA	
4	4402010111	ALSA CESTA SKIMMER		8	* 4402010025	CAIXILHO BOCA SKIMMER	
5	4402010102	CLAPETA SKIMMER		8	* 4402010241	CAIXILHO BOCA SKIMMER	
6	* 4402010101	COMPORTA SKIMMER BISAGRA		8	* 4402010242	CAIXILHO BOCA SKIMMER	
6	* 4402010026	COMPORTA SKIMMER BISAGRA		8	* 4402010243	CAIXILHO BOCA SKIMMER	

**CODIGO 06470, 06470CL090, 06470CL129, 06470CL144**

**DESCRIÇÃO: SKIMMER 15 L PP B. LARGA TOR. AUTOR.**

## OBSERVAÇÕES

POS	CODIGO	OBSERVAÇÕES
6	* 4402010101	PARA: 06470 WHITE
6	* 4402010026	PARA: 06470CL090 BEIGE
6	* 4402010030	PARA: 06470CL129 GREY
6	* 4402010072	PARA: 06470CL144 ANTHRACITE
8	* 4402010025	PARA: 06470 WHITE
8	* 4402010241	PARA: 06470CL090 BEIGE
8	* 4402010242	PARA: 06470CL129 GREY
8	* 4402010243	PARA: 06470CL144 ANTHRACITE