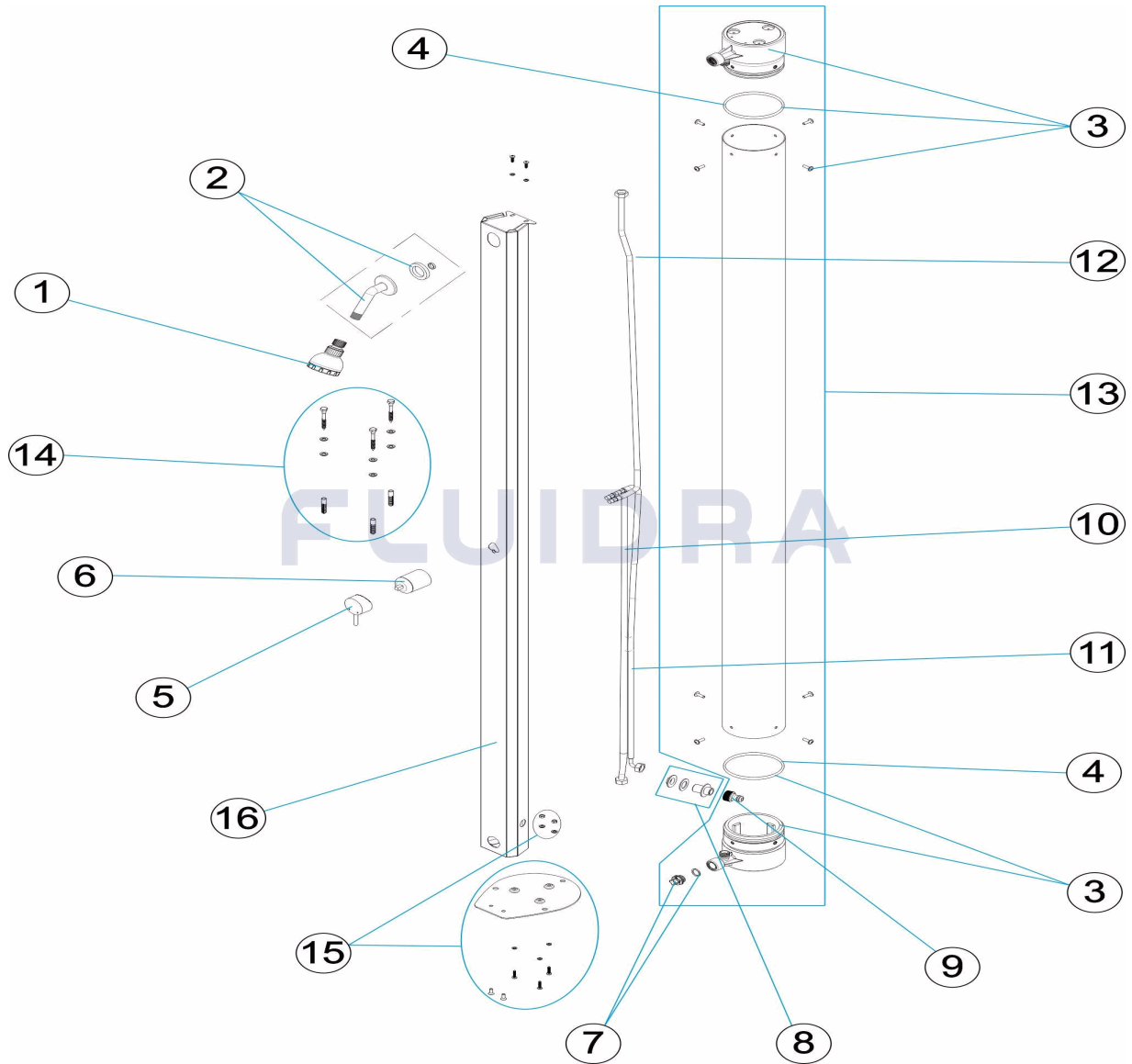


CODIGO **36848**

DESCRIPCION: **DUCHA SOLAR INOX 30 LITROS**

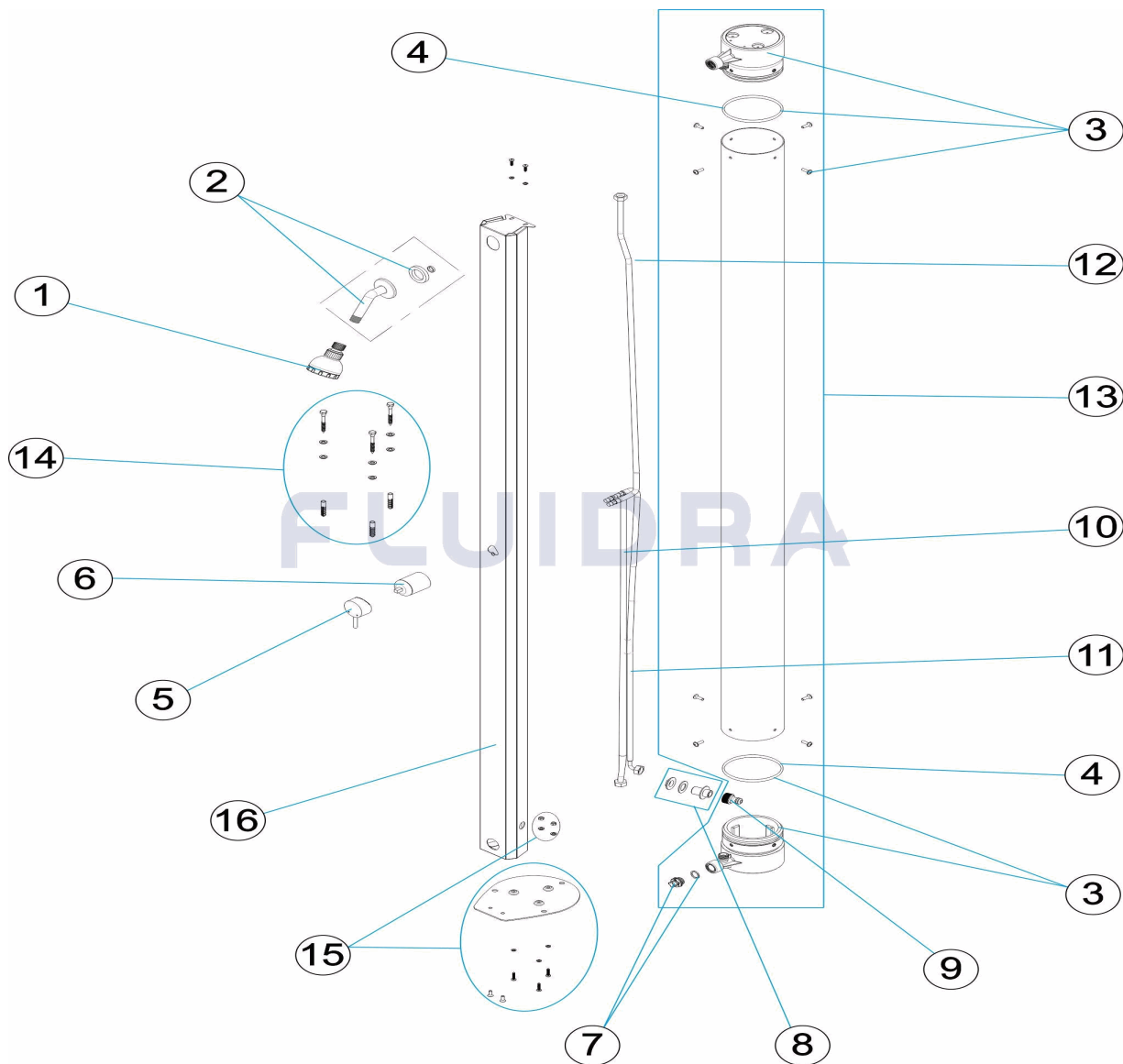


ESPAÑOL

POS	CODIGO	DESCRIPCION	CANTIDAD	POS	CODIGO	DESCRIPCION	CANTIDAD
1	4401040042	ROCIADOR		9	4401043414	RACORD 90° D.10X1/2"	
2	4401043401	TUBO + EMBELLECEDOR		10	4401043207	LATIGUILLO 1100 M/M.	
3	4401040043	TAPON DEPOSITO		11	4401043617	LATIGUILLO 1/2" HEMBRA CODO + M-10 MA	
4	4401043609	JUNTA TORICA D. 100X6,99		12	4401043618	LATIGUILLO 1/2" HEMBRA + M-10 MACHO L	
5	4401043604	MANETA MONOMANDO		13	4401040044	CONJUNTO DEPOSITO	
6	4401043605	CUERPO MONOMANDO		14	4401040045	CJTO. ANCLAJE	
7	4401043406	TAPON 1/2"		15	4401040046	PLACA BASE DUCHA	
8	4401043205	PASAMUROS		16	43927R1300	CUERPO DUCHA INOX	

CODE 36848

DESCRIPTION: DOUCHE SOLAIRE INOX 30 LITRES

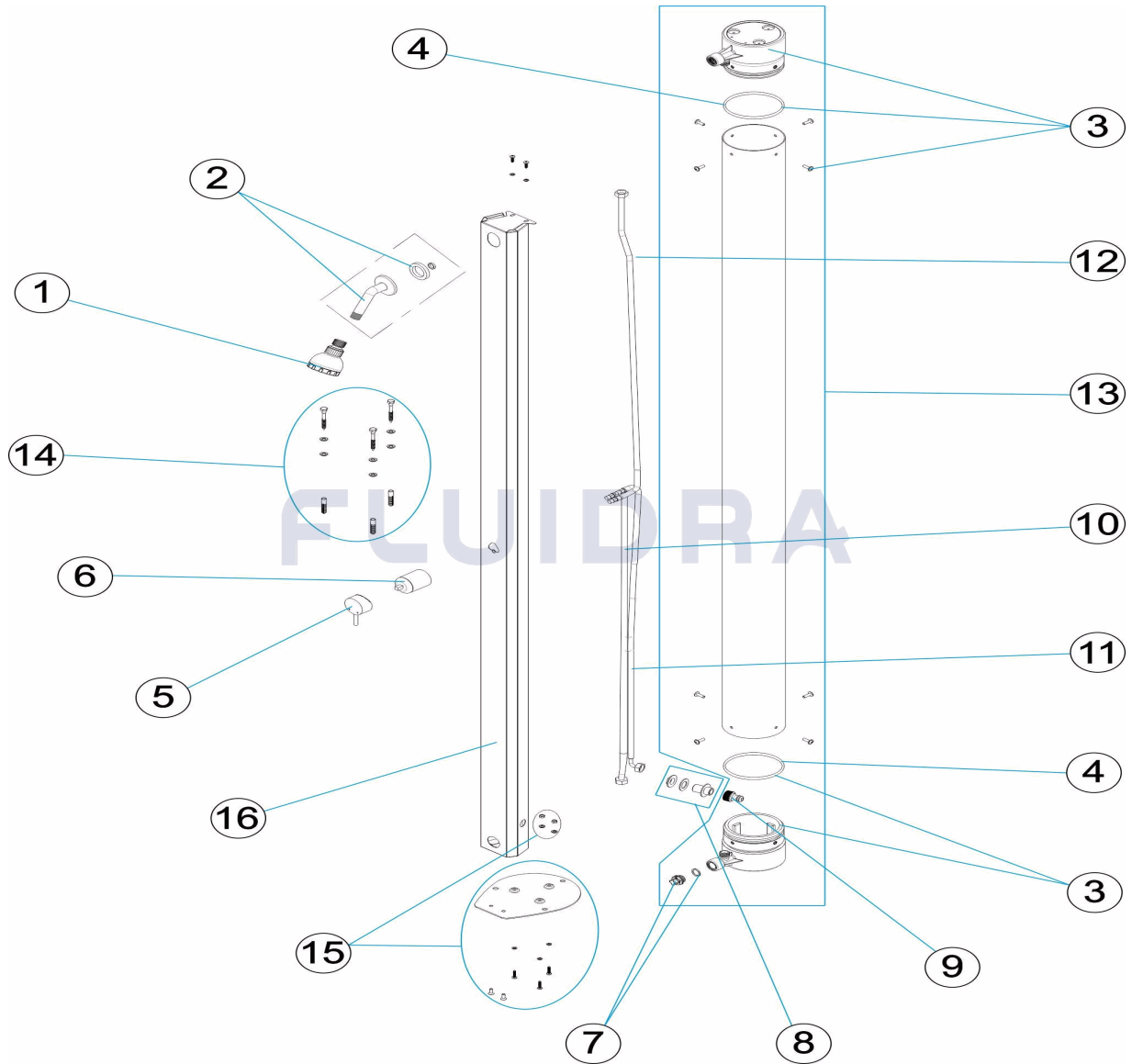


FRANCAIS

POS	CODE	DESCRIPTION	QUANTITE	POS	CODE	DESCRIPTION	QUANTITE
1	4401040042	POMME DE DOUCHE		9	4401043414	RACCORD 90° D.10X1/2"	
2	4401043401	TUBE + ENJOLIVEUR		10	4401043207	TUBES 1100 M/M.	
3	4401040043	BOUCHON RÉSERVOIR		11	4401043617	TUYAU 1/2" FEMELLE COUDE + M-10 MÂLE	
4	4401043609	JOINT TORIQUE D. 100X6,99		12	4401043618	TUYAU 1/2" FEMELLE + M-10 MÂLE L=1300'	
5	4401043604	POIGNÉE MITIGEUR		13	4401040044	ENSEMBLE RÉSERVOIR	
6	4401043605	CORPS MITIGEUR		14	4401040045	ENSEMBLE FIXATIONS	
7	4401043406	BOUCHON 1/2'		15	4401040046	PLAQUE INFÉRIEURE DE DOUCHE	
8	4401043205	TRAVERSÉE DE PAROIS		16	43927R1300	CORPS DE DOUCHE INOX	

CODE **36848**

DESCRIPTION: **S.S. SOLAR SHOWER 30 LTS.**

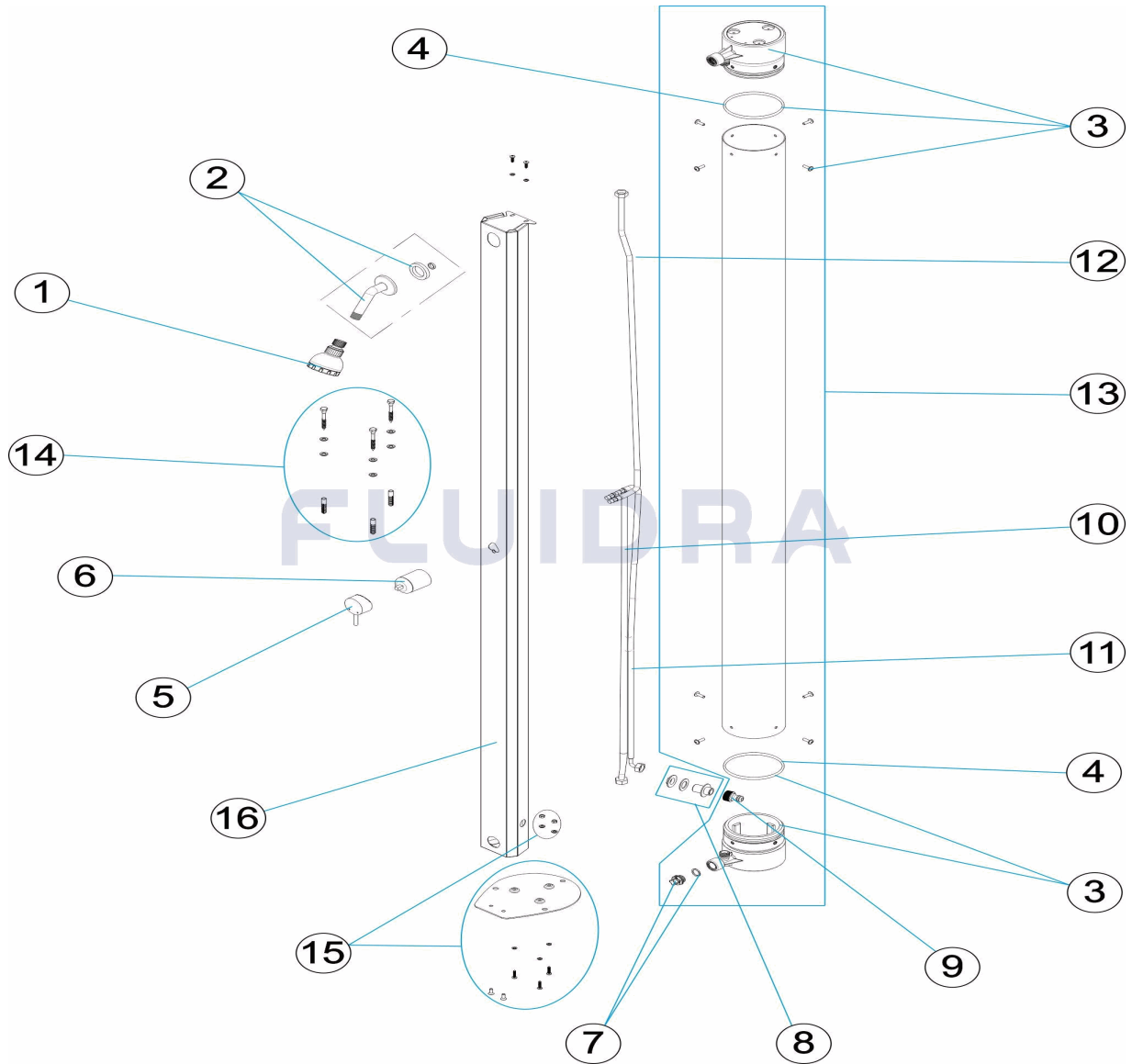


ENGLISH

POS	CODE	DESCRIPTION	QUANTITY	POS	CODE	DESCRIPTION	QUANTITY
1	4401040042	SHOWER HEAD		9	4401043414	RACORD 90° D.10X1/2"	
2	4401043401	TUBE + COVER		10	4401043207	CONNUCTION PIPE 1100 M/M.	
3	4401040043	TANK COVER		11	4401043617	FLEXIBLE HOSE 1/2" FEMALE ELBOW + M-	
4	4401043609	O-RING D. 100X6.99		12	4401043618	FLEXIBLE HOSE 1/2" FEMALE + M-10 MALE	
5	4401043604	SINGLE-LEVER HANDLE		13	4401040044	TANK SET	
6	4401043605	SINGLE-LEVER HANDLE CASING		14	4401040045	ANCHORING SET	
7	4401043406	PLUG 1/2"		15	4401040046	SHOWER BASE PLATE	
8	4401043205	WALL CONDUIT		16	43927R1300	INOX SHOWER UNIT	

CODICE 36848

DESCRIZIONE: DOCCIA SOLARE INOX 30 LITRI

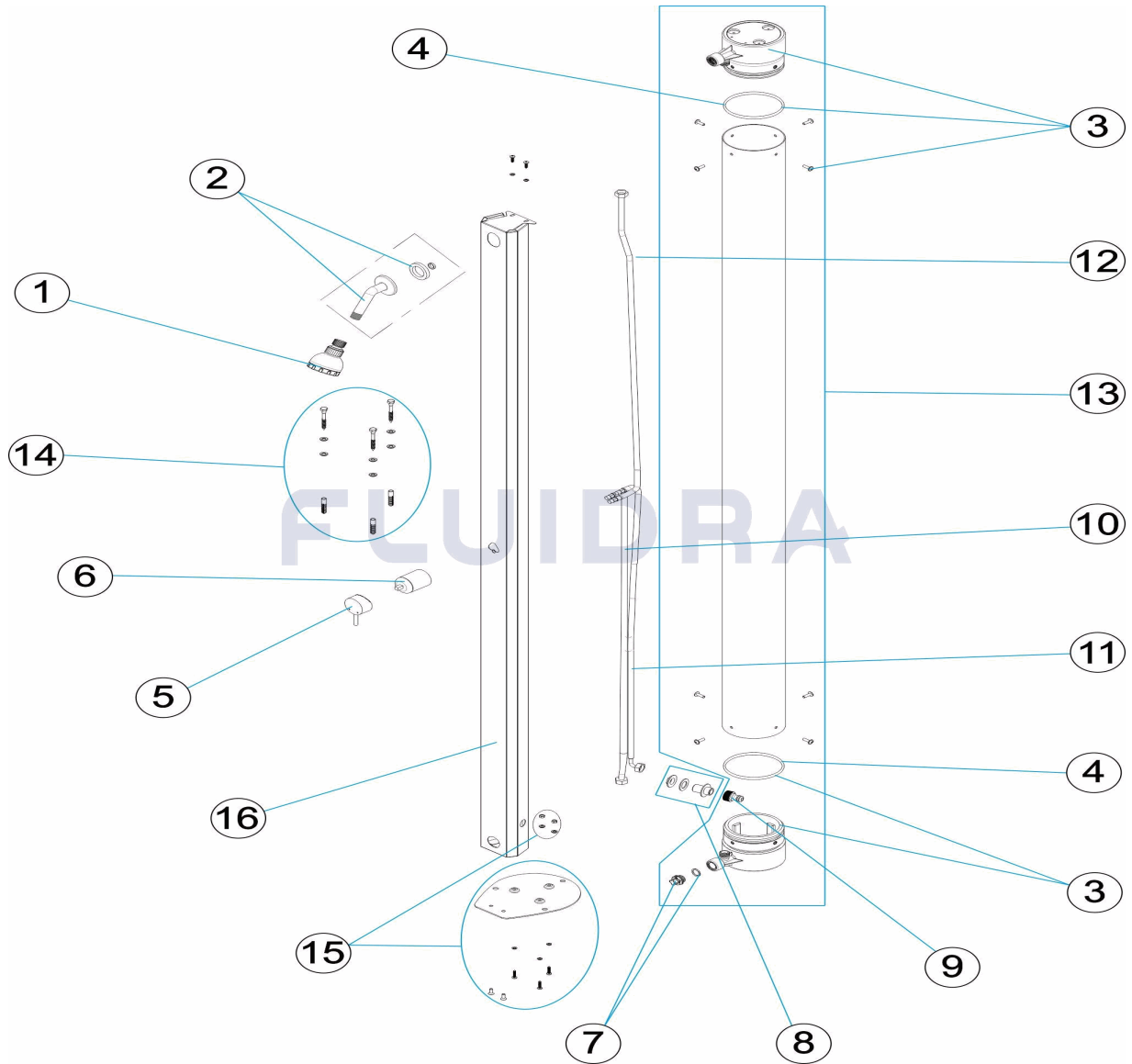


ITALIANO

POS	CODICE	DESCRIZIONE	QUANTITA'	POS	CODICE	DESCRIZIONE	QUANTITA'
1	4401040042	SPRUZZATORE		9	4401043414	RACCORDO 90° D.10X1/2"	
2	4401043401	TUBO + RIVESTIMENTO		10	4401043207	TUBO 1100 M/M	
3	4401040043	COPERCHIO DEPOSITO		11	4401043617	SPINOTTO 1/2" FEMMINA A GOMITO + M-10	
4	4401043609	GIUNTURA TORICA D. 100X6,99		12	4401043618	SPINOTTO 1/2" FEMMINA + M-10 MASCHIO	
5	4401043604	MANIGLIA MONOCOMANDO		13	4401040044	KIT SERBATOIO	
6	4401043605	CORPO MONOCOMANDO		14	4401040045	CONGIUNTO ANCORAGGIO	
7	4401043406	TAPPO 1/2"		15	4401040046	PIASTRA BASE PER DOCCIA	
8	4401043205	PASSANTI A MURO		16	43927R1300	CORPO DOCCIA INOX	

CODE **36848**

BESCHREIBUNG: **DUSCHE SOLAR EDELSTAHL 30 L**

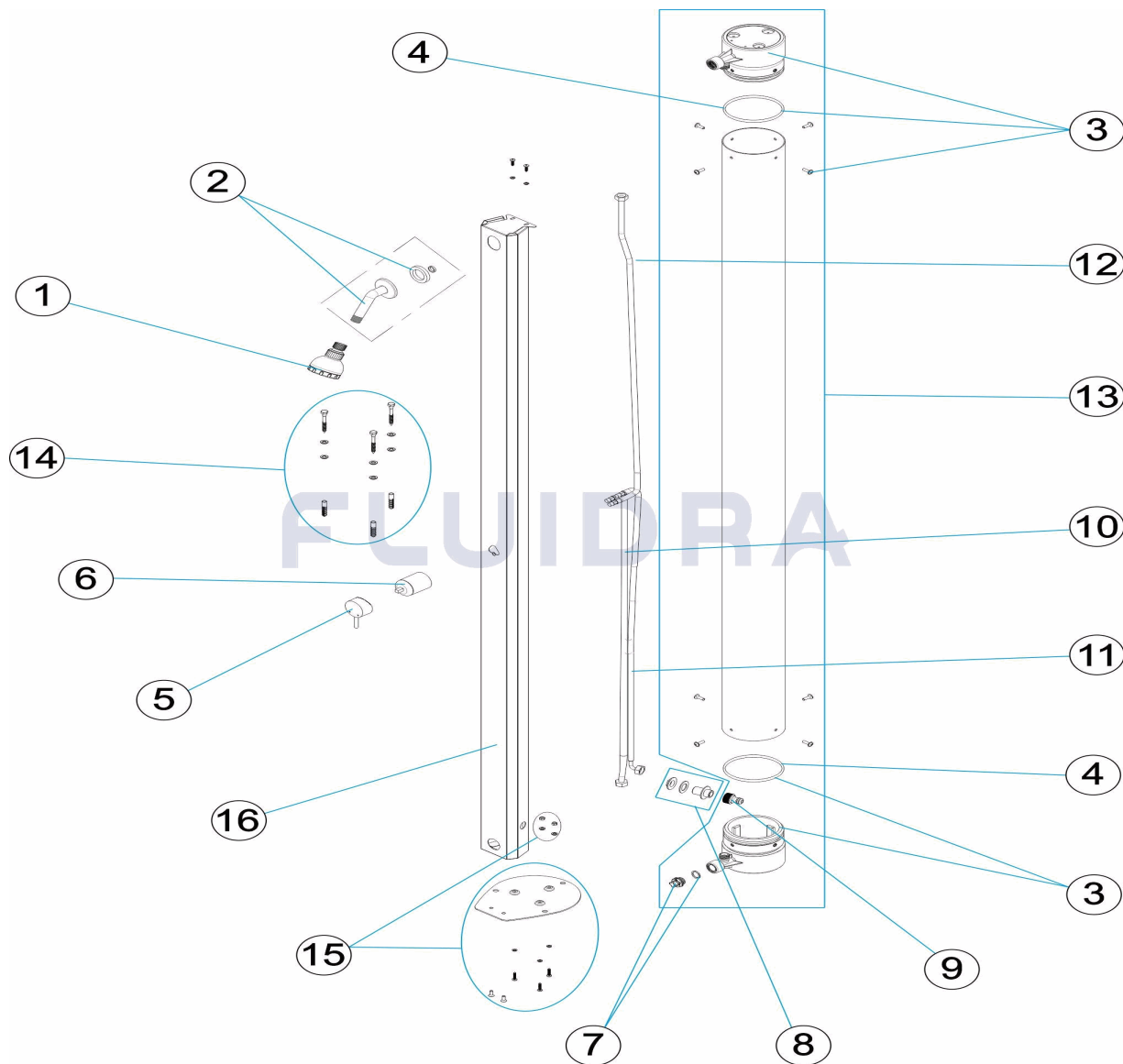


DEUTSCH

POS	CODE	BESCHREIBUNG	MENGE	POS	CODE	BESCHREIBUNG	MENGE
1	4401040042	DUSCHKOPF		9	4401043414	GEWINDESTÜCK 90° D. 10 X 1/2"	
2	4401043401	ROHR MIT BLENDE		10	4401043207	SCHLAUCHLEITUNG 1100 MM	
3	4401040043	BEHÄLTERSTOPFEN		11	4401043617	SCHLAUCHLEITUNG 1/2" MUFFE WINKEL U	
4	4401043609	O-RING D. 100 X 6,99		12	4401043618	SCHLAUCHLEITUNG 1/2" MUFFE UND M-10	
5	4401043604	GRIFF EINHANDHEBEL		13	4401040044	BEHÄLTERSET	
6	4401043605	GEHÄUSE EINHANDHEBEL		14	4401040045	SET VERANKERUNG	
7	4401043406	STOPFEN 1/2"		15	4401040046	BASISPLATTE DUSCHE	
8	4401043205	WANDDURCHFÜHRUNG		16	43927R1300	DUSCH EINHEIT EDELSTAHL	

CODIGO **36848**

DESCRIÇÃO: **DUCHE SOLAR INOX 30 LITROS**



PORTUGUES

POS	CODIGO	DESCRIÇÃO	JANTIDADE	POS	CODIGO	DESCRIÇÃO	JANTIDADE
1	4401040042	DIFUSOR		9	4401043414	RACORD 90° D.10X1/2"	
2	4401043401	TUBO + ARO DECORATIVO		10	4401043207	TUBAGEM 1100 M/M.	
3	4401040043	TAMPÃO DEPÓSITO		11	4401043617	MANGA 1/2" FÊMEA COTOVELO + M-10 MA	
4	4401043609	JUNTA TÓRICA D. 100 X 6,99		12	4401043618	MANGA 1/2" FÊMEA + M-10 MACHO L = 130	
5	4401043604	MANETE MONOCOMANDO		13	4401040044	CONJUNTO DEPÓSITO	
6	4401043605	CORPO MONOCOMANDO		14	4401040045	CJTO. ANCORAGEM	
7	4401043406	TAMPÃO 1/2"		15	4401040046	PLACA BASE CHUVEIRO	
8	4401043205	PASSAMUROS		16	43927R1300	CORPO DE CHUVEIRO INOX	