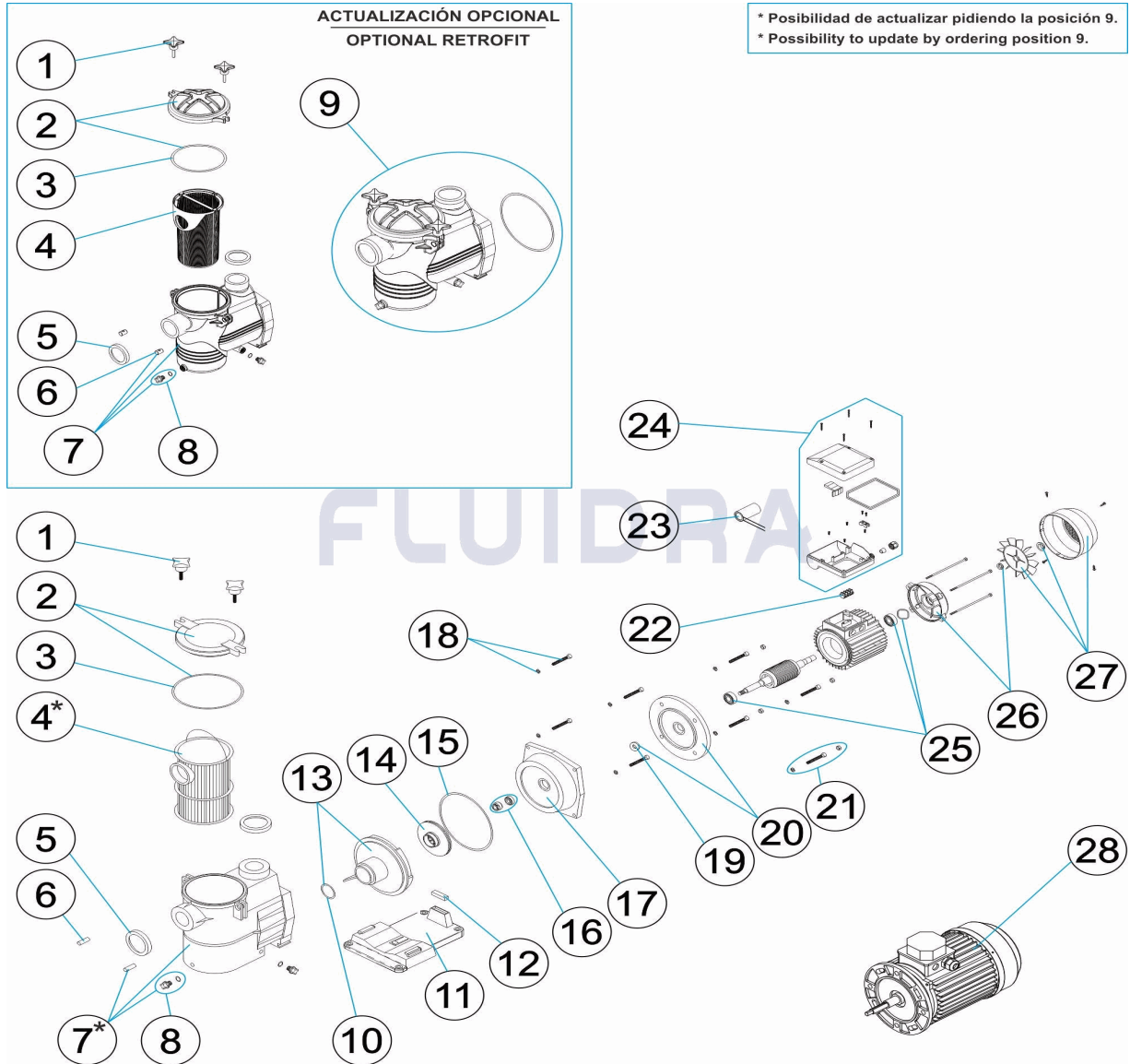


CODIGO **10401M, 10402M, 10402T, 10403M, 10403T, 10404M, 10404T, 10405M, 10405T, 10406M, 10406T**

DESCRIPCION: **BOMBA SUPERSTAR**



ESPAÑOL

POS	CODIGO	DESCRIPCION	CANTIDAD	POS	CODIGO	DESCRIPCION	CANTIDAD
1	CE05010061	CIERRE PREFILTRO		11	* CE05010033	PIE BOMBA	
1	* CE05010725	CIERRE PREFILTRO		11	* CE05030011	PIE BOMBA 3 CV.	
2	CE05010062	TAPA PREFILTRO		12	* CE05010410	SILENT-BLOCK (9X45X13)	
2	* CE05010542	TAPA PREFILTRO		12	* CE05010562	SILENT BLOCK (45 X 24 X 13) C71	
3	CE05010063	JUNTA TAPA PREFILTRO		13	CE05010073	DIFUSOR	
3	* CE05010543	JUNTA TAPA PREFILTRO		14	* CE05010196	TURBINA 0,5 CV	
4	CE05010064	CESTO PREFILTRO		14	* CE05010197	TURBINA 0,75 CV	
4	* CE05010191	CESTO PREFILTRO		14	* CE05010198	TURBINA 1 CV	
5	CE05011151	ARO METALICO		14	* CE05010199	TURBINA 1,5 CV	
6	CE05010066	PASADOR BASCULANTE		14	* CE05010200	TURBINA 2 CV	
7	CE05010065	CUERPO BOMBA		14	* CE05010235	TURBINA 3 CV	
7	* CE05011238	CUERPO BOMBA		15	CE05010080	JUNTA TAPA CUERPO	

*** NOTA OBSERVACIONES**

CODIGO **10401M, 10402M, 10402T, 10403M, 10403T, 10404M, 10404T, 10405M, 10405T, 10406M, 10406T**

DESCRIPCION: BOMBA SUPERSTAR

8	CE04121107	TAPON ¼ VALVULA	15	* CE05010240	JUNTA CUERPO BOMBA
9	* CE05010871	CUERPO BOMBA	16	CE05010118	JUNTA MECÁNICA
10	CE05010072	JUNTA TORICA DIFUSOR	17	* CE05010081	BRIDA SOPORTE MOTOR 0,5 / 0,75 / 1 HP
17	* CE05010082	BRIDA SOPORTE MOTOR 1,5 / 2 / 3 HP	25	* CE05010050	RODAMIENTO MOTOR
18	CE05010071	TORNILLOS SUJECION CUERPO	25	* CE05010246	RODAMIENTO 1,5 CV
19	* CE05010047	ARANDELA ROMPE AGUAS	25	* CE05010247	RODAMIENTO 2-3 CV
19	* CE05010547	ARANDELA ROMPE AGUAS 1,5 CV	26	* CE05010052	TAPA TRASERA MOTOR ½-¾1 HP
19	* CE05010548	ARANDELA ROMPE AGUAS 2-3 CV	26	* CE05010551	TAPA MOTOR 1,5 CV
20	* CE05010242	TAPA MOTOR DELANTERA 0,5-1CV.	26	* CE05010253	TAPA MOTOR TRASERA 2-3 CV.
20	* CE05010549	BRIDA MOTOR 1,5 CV.	27	* CE05010056	CJTO. VENTILADOR + VTAPA 0,75 / 1 / 1,5 C
20	* CE05010550	BRIDA MOTOR 2-3 CV.	27	* CE05010258	TAPA VENTILADOR + VENTILADOR 1,5 CV
21	* CE05010248	TORNILLOS FIJACION MOTOR 0,5-1 CV.	27	* CE05010259	TAPA VENTILADOR + VENTILADOR 2-3 CV
21	* CE05010250	TORNILLOS FIJACION MOTOR 2-3 CV.	28	* SE050MR0300	MOTOR NI/DY/SE2N/SE2R050M
21	* CE05010249	TORNILLOS FIJACION MOTOR 1,5 CV.	28	* SE075MR0300	MOTOR NI/DY/SE2N/SE2R075M
22	* CE05011083	REGLETA CONEXIÓN	28	* SE075TR0300	MOTOR NI/DY/SE2N/SE2R075T
22	* CE05011067	REGLETA CONEXIÓN	28	* SE100MR0300	MOTOR NI/DY/SE2N/SE2R100M
23	* CE05010060	CONDENSADOR 20MF. 0,75 / 1 / 1,5 CV.	28	* SE100TR0300IE2	MOTOR IE2 NI/DY/SE2N/SE2R100T
23	* CE05010059	CONDENSADOR 12MF. 0,33 / 0,50 CV.	28	* SE150MR0300	MOTOR NI/DY/SE2N/SE2R150M
23	* CE05010184	CONDENSADOR 35MF 1,5 HP	28	* SE150TR0300IE2	MOTOR IE2 NI/DY/SE2N/SE2R150T
23	* CE05010260	CONDENSADOR 45 MF. 2 CV.	28	* SE200MR0300	MOTOR NI/DY/SE2N/SE2R200M
24	* CE05010057	CAJA CONEXIONES COMPLETA II	28	* SE200TR0300IE2	MOTOR IE2 NI/DY/SE2N/SE2R200T
24	* CE05010058	CAJA CONEXIONES COMPLETA III	28	* SE300MR0300	MOTOR NI/DY/SE2N/SE2R300M
24	* CE05010190	CAJA CONEXIONES COMPLETA 1,5-3 CV. II	28	* SE300TR0300IE2	MOTOR IE2 NI/DY/SE2N/SE2R300T
24	* CE05010261	CAJA CONEXIONES COMPLETA 1,5-3 CV. II			

CODIGO 10401M, 10402M, 10402T, 10403M, 10403T, 10404M, 10404T, 10405M, 10405T, 10406M, 10406T

DESCRIPCION: BOMBA SUPERSTAR

OBSERVACIONES

POS	CODIGO	OBSERVACIONES
1	* CE05010725	PARA: UPDATED
2	* CE05010542	PARA: UPDATED
3	* CE05010543	PARA: UPDATED
4	* CE05010191	PARA: UPDATED
7	* CE05011238	PARA: UPDATED
9	* CE05010871	PARA: OPTIONAL RETROFIT
11	* CE05010033	PARA: 10401M, 10402M, 10402T, 10403M, 10403T, 10404M, 10404T, 10405M, 10405T
11	* CE05030011	PARA: 10406M, 10406T
12	* CE05010410	PARA: 10401M, 10402M, 10402T, 10403M, 10403T, 10404M, 10404T, 10405M, 10405T
12	* CE05010562	PARA: 10406M, 10406T
14	* CE05010196	PARA: 10401M
14	* CE05010197	PARA: 10402M, 10402T
14	* CE05010198	PARA: 10403M, 10403T
14	* CE05010199	PARA: 10404M, 10404T
14	* CE05010200	PARA: 10405M, 10405T
14	* CE05010235	PARA: 10406M, 10406T
15	* CE05010240	PARA: UPDATED
17	* CE05010081	PARA: 10401M, 10402M, 10402T, 10403M, 10403T, 10404M
17	* CE05010082	PARA: 10404M, 10404T, 10405M, 10405T, 10406M, 10406T
19	* CE05010047	PARA: 10401M, 10402M, 10402T, 10403M, 10403T
19	* CE05010547	PARA: 10404M, 10404T
19	* CE05010548	PARA: 10405M, 10405T, 10406M, 10406T
20	* CE05010242	PARA: 10401M, 10402M, 10402T, 10403M, 10403T
20	* CE05010549	PARA: 10404M, 10404T
20	* CE05010550	PARA: 10405M, 10405T, 10406M, 10406T
21	* CE05010248	PARA: 10401M, 10402M, 10402T, 10403M, 10403T
21	* CE05010250	PARA: 10405M, 10405T, 10406M, 10406T
21	* CE05010249	PARA: 10404M, 10404T
22	* CE05011083	PARA: 10401M, 10402M, 10403M, 10404M, 10405M, 10406M
22	* CE05011067	PARA: 10402T, 10403T, 10404T, 10405T, 10406T
23	* CE05010060	PARA: 10402M, 10403M
23	* CE05010059	PARA: 10401M
23	* CE05010184	PARA: 10404M, 10406M
23	* CE05010260	PARA: 10405M
24	* CE05010057	PARA: 10401M, 10403M
24	* CE05010058	PARA: 10402T, 10403T
24	* CE05010190	PARA: 10404T, 10405T, 10406T
24	* CE05010261	PARA: 10404M, 10405M, 10406M
25	* CE05010050	PARA: 10401M, 10402M, 10402T, 10403M, 10403T
25	* CE05010246	PARA: 10404M, 10404T
25	* CE05010247	PARA: 10405M, 10405T, 10406M, 10406T
26	* CE05010052	PARA: 10401M, 10402M, 10402T, 10403M, 10403T
26	* CE05010551	PARA: 10404M, 10404T

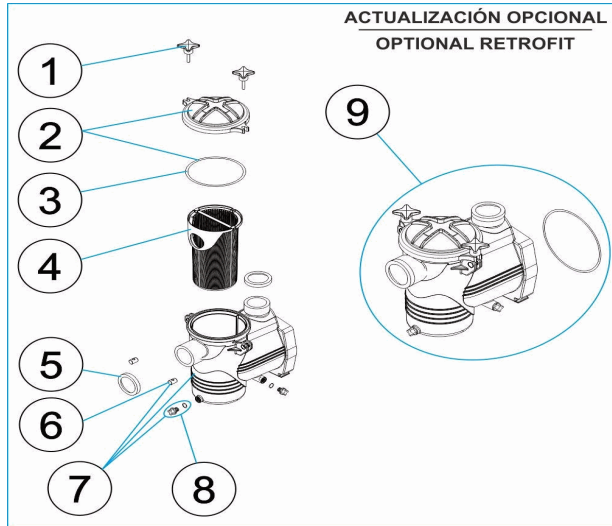
CODIGO **10401M, 10402M, 10402T, 10403M, 10403T, 10404M, 10404T, 10405M, 10405T, 10406M, 10406T**

DESCRIPCION: BOMBA SUPERSTAR

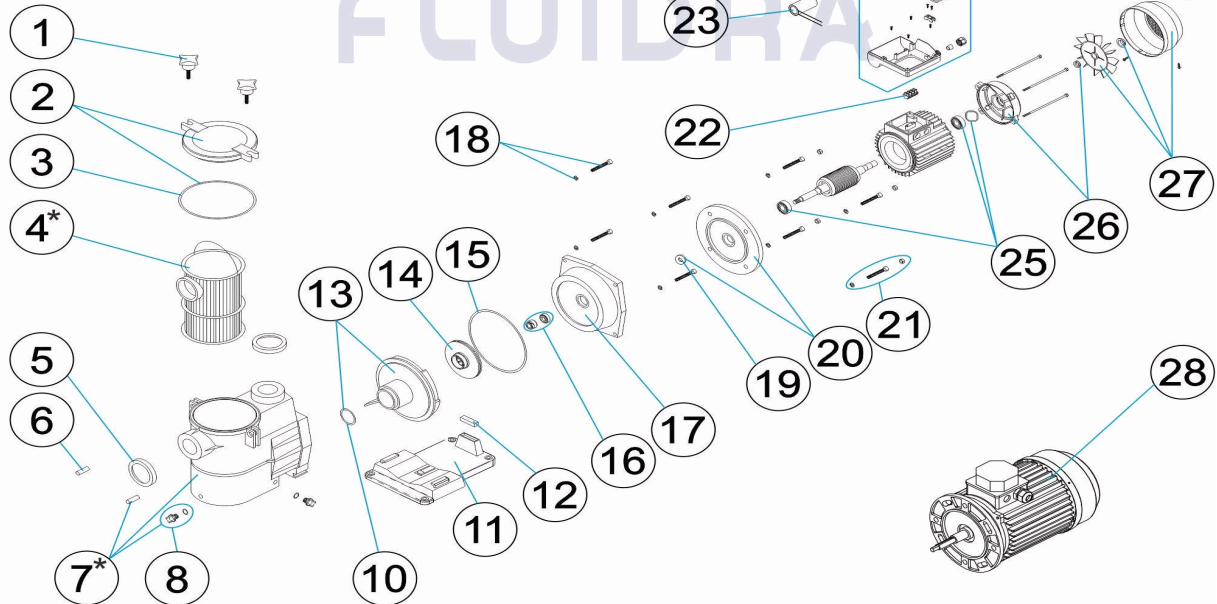
26	* CE05010253	PARA: 10405M, 10405T, 10406M, 10406T
27	* CE05010056	PARA: 10401M, 10402M, 10402T, 10403M, 10403T
27	* CE05010258	PARA: 10404M, 10404T
27	* CE05010259	PARA: 10405M, 10405T, 10406M, 10406T
28	* SE050MR0300	PARA: 10401M
28	* SE075MR0300	PARA: 10402M
28	* SE075TR0300	PARA: 10402T
28	* SE100MR0300	PARA: 10403M
28	* SE100TR0300IE2	PARA: 10403T
28	* SE150MR0300	PARA: 10404M
28	* SE150TR0300IE2	PARA: 10404T
28	* SE200MR0300	PARA: 10405M
28	* SE200TR0300IE2	PARA: 10405T
28	* SE300MR0300	PARA: 10406M
28	* SE300TR0300IE2	PARA: 10406T

CODE **10401M, 10402M, 10402T, 10403M, 10403T, 10404M, 10404T, 10405M, 10405T, 10406M, 10406T**

DESCRIPTION: **POMPE SUPERSTAR**



* Posibilidad de actualizar pidiendo la posición 9.
* Possibility to update by ordering position 9.



FRANCAIS

POS	CODE	DESCRIPTION	QUANTITE	POS	CODE	DESCRIPTION	QUANTITE
1	CE05010061	FERMETURE PREFILTRE		11	* CE05010033	SOCLE POMPE	
1	* CE05010725	FERMETURE PREFILTRE		11	* CE05030011	SOCLE POMPE 3 HP	
2	CE05010062	COUVERCLE PRÉFILTRE		12	* CE05010410	SILENT-BLOCK (9X45X13)	
2	* CE05010542	COUVERCLE PRÉFILTRE		12	* CE05010562	SILENT-BLOCK (45 X 24 X 13) C71	
3	CE05010063	JOINT COVERCLE PREFILTRE		13	CE05010073	DIFFUSEUR	
3	* CE05010543	JOINT COVERCLE PREFILTRE		14	* CE05010196	TURBINE 0,5 CV	
4	CE05010064	PANIER PRÉFILTER		14	* CE05010197	TURBINE 0,75 CV	
4	* CE05010191	PANIER PRÉFILTER		14	* CE05010198	TURBINE 1 CV	
5	CE05011151	ARC MÉTALLIQUE		14	* CE05010199	TURBINE 1,5 CV	
6	CE05010066	GOUJON BASCULANT		14	* CE05010200	TURBINE 2 CV	
7	CE05010065	CORPS POMPE		14	* CE05010235	TURBINE 3 CV	
7	* CE05011238	CORPS POMPE		15	CE05010080	JOINT DE COUVERCLE CORPS	

CODE **10401M, 10402M, 10402T, 10403M, 10403T, 10404M, 10404T, 10405M, 10405T, 10406M, 10406T**

DESCRIPTION: **POMPE SUPERSTAR**

8	CE04121107	BOUCHON 1/4' DE VANNE	15	* CE05010240	JOINT CORPS
9	* CE05010871	CORPS POMPE	16	CE05010118	GARNITURE MÉCANIQUE
10	CE05010072	JOINT TORIQUE	17	* CE05010081	BRIDE SUPPORT MOTEUR 0,5 / 0,75 / 1 HP
17	* CE05010082	BRIDE SUPPORT MOTEUR 1,5 / 2 / 3 HP	25	* CE05010050	ROULEMENT MOTEUR
18	CE05010071	VIS MOTEUR	25	* CE05010246	ROULEMENT 1,5 CV
19	* CE05010047	RONDELLE BRISE EAU	25	* CE05010247	ROULEMENT 2-3 CV
19	* CE05010547	RONDELLE BRISE EAU 1,5 CV	26	* CE05010052	COUVERCLE ARRIÈRE MOTEUR 1/2-3/41 H
19	* CE05010548	RONDELLE BRISE EAU 2-3 CV.	26	* CE05010551	COUVERCLE MEMBRANE 1,5 CV
20	* CE05010242	COUVERCLE MOTEUR AVANT 0,5-1 CV	26	* CE05010253	COUVERCLE MOTEUR ARRIÈRE 2-3 CV
20	* CE05010549	FLASQUE ACCOUP. MOTEUR 1,5 CV.	27	* CE05010056	ENSEMBLE VENTILATEUR + COUVERCLE C
20	* CE05010550	FLASQUE ACCOUP. MOTEUR 2-3 CV.	27	* CE05010258	CAPOT VENTILATEUR + VENTILATEUR 1,5 CV
21	* CE05010248	VIS FIXATION MOTEUR 0,5-1 CV	27	* CE05010259	CAPOT VENTILATEUR + VENTILATEUR 2-3 CV
21	* CE05010250	VIS FIXATION MOTEUR 2-3 CV.	28	* SE050MR0300	MOTEUR NI/DY/SE2N/SE2R050M
21	* CE05010249	VIS FIXATION MOTEUR 1,5 CV.	28	* SE075MR0300	MOTEUR NI/DY/SE2N/SE2R075M
22	* CE05011083	REGLETTE CONNEXION	28	* SE075TR0300	MOTEUR NI/DY/SE2N/SE2R075T
22	* CE05011067	REGLETTE CONNEXION	28	* SE100MR0300	MOTEUR NI/DY/SE2N/SE2R100M
23	* CE05010060	CONDENSATEUR 20 UF 0,75 / 1 / 1,5 HP.	28	* SE100TR0300IE2	MOTEUR IE2 NI/DY/SE2N/SE2R100T
23	* CE05010059	CONDENSATEUR 12 UF 0,33 / 0,50 HP.	28	* SE150MR0300	MOTEUR NI/DY/SE2N/SE2R150M
23	* CE05010184	CONDENSATEUR 35MF 1,5 HP	28	* SE150TR0300IE2	MOTEUR IE2 NI/DY/SE2N/SE2R150T
23	* CE05010260	CONDENSATEUR 45 UF	28	* SE200MR0300	MOTEUR NI/DY/SE2N/SE2R200M
24	* CE05010057	BOTILLER DE CONNECTIONS II	28	* SE200TR0300IE2	MOTEUR IE2 NI/DY/SE2N/SE2R200T
24	* CE05010058	BOTILLER DE CONNECTIONS III	28	* SE300MR0300	MOTEUR NI/DY/SE2N/SE2R300M
24	* CE05010190	BOTILLER DE CONNECTIONS 1,5-3 CV. III	28	* SE300TR0300IE2	MOTEUR IE2 NI/DY/SE2N/SE2R300T
24	* CE05010261	BOTILLER DE CONNECTIONS 1,5-3 CV. II			

CODE **10401M, 10402M, 10402T, 10403M, 10403T, 10404M, 10404T, 10405M, 10405T, 10406M, 10406T**

DESCRIPTION: **POMPE SUPERSTAR**

OBSERVATIONS

POS	CODE	OBSERVATIONS
1	* CE05010725	POUR: UPDATED
2	* CE05010542	POUR: UPDATED
3	* CE05010543	POUR: UPDATED
4	* CE05010191	POUR: UPDATED
7	* CE05011238	POUR: UPDATED
9	* CE05010871	POUR: OPTIONAL RETROFIT
11	* CE05010033	POUR: 10401M, 10402M, 10402T, 10403M, 10403T, 10404M, 10404T, 10405M, 10405T
11	* CE05030011	POUR: 10406M, 10406T
12	* CE05010410	POUR: 10401M, 10402M, 10402T, 10403M, 10403T, 10404M, 10404T, 10405M, 10405T
12	* CE05010562	POUR: 10406M, 10406T
14	* CE05010196	POUR: 10401M
14	* CE05010197	POUR: 10402M, 10402T
14	* CE05010198	POUR: 10403M, 10403T
14	* CE05010199	POUR: 10404M, 10404T
14	* CE05010200	POUR: 10405M, 10405T
14	* CE05010235	POUR: 10406M, 10406T
15	* CE05010240	POUR: UPDATED
17	* CE05010081	POUR: 10401M, 10402M, 10402T, 10403M, 10403T, 10404M
17	* CE05010082	POUR: 10404M, 10404T, 10405M, 10405T, 10406M, 10406T
19	* CE05010047	POUR: 10401M, 10402M, 10402T, 10403M, 10403T
19	* CE05010547	POUR: 10404M, 10404T
19	* CE05010548	POUR: 10405M, 10405T, 10406M, 10406T
20	* CE05010242	POUR: 10401M, 10402M, 10402T, 10403M, 10403T
20	* CE05010549	POUR: 10404M, 10404T
20	* CE05010550	POUR: 10405M, 10405T, 10406M, 10406T
21	* CE05010248	POUR: 10401M, 10402M, 10402T, 10403M, 10403T
21	* CE05010250	POUR: 10405M, 10405T, 10406M, 10406T
21	* CE05010249	POUR: 10404M, 10404T
22	* CE05011083	POUR: 10401M, 10402M, 10403M, 10404M, 10405M, 10406M
22	* CE05011067	POUR: 10402T, 10403T, 10404T, 10405T, 10406T
23	* CE05010060	POUR: 10402M, 10403M
23	* CE05010059	POUR: 10401M
23	* CE05010184	POUR: 10404M, 10406M
23	* CE05010260	POUR: 10405M
24	* CE05010057	POUR: 10401M, 10403M
24	* CE05010058	POUR: 10402T, 10403T
24	* CE05010190	POUR: 10404T, 10405T, 10406T
24	* CE05010261	POUR: 10404M, 10405M, 10406M
25	* CE05010050	POUR: 10401M, 10402M, 10402T, 10403M, 10403T
25	* CE05010246	POUR: 10404M, 10404T
25	* CE05010247	POUR: 10405M, 10405T, 10406M, 10406T
26	* CE05010052	POUR: 10401M, 10402M, 10402T, 10403M, 10403T
26	* CE05010551	POUR: 10404M, 10404T

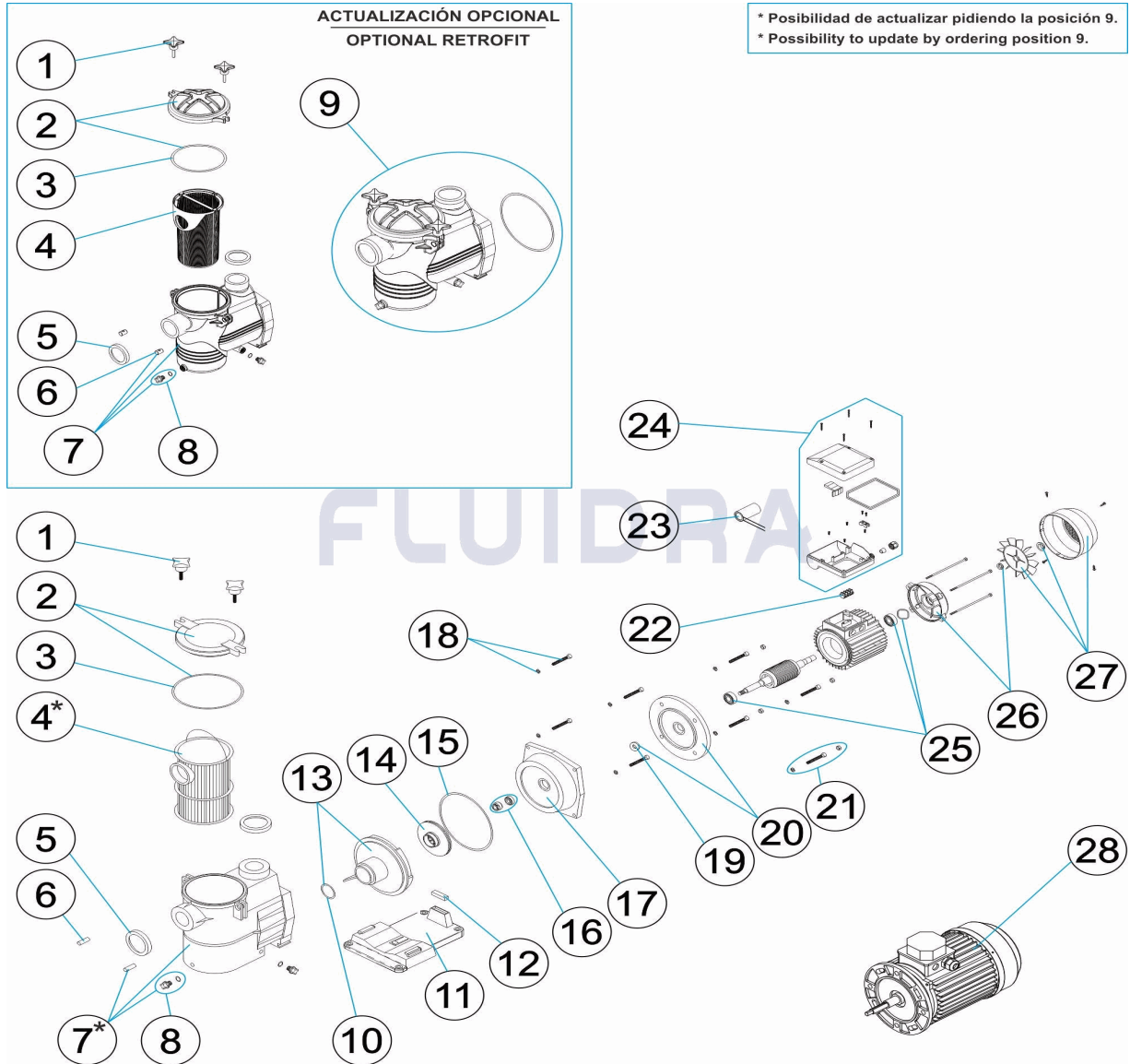
CODE **10401M, 10402M, 10402T, 10403M, 10403T, 10404M, 10404T, 10405M,
10405T, 10406M, 10406T**

DESCRIPTION: **POMPE SUPERSTAR**

26	* CE05010253	POUR: 10405M, 10405T, 10406M, 10406T
27	* CE05010056	POUR: 10401M, 10402M, 10402T, 10403M, 10403T
27	* CE05010258	POUR: 10404M, 10404T
27	* CE05010259	POUR: 10405M, 10405T, 10406M, 10406T
28	* SE050MR0300	POUR: 10401M
28	* SE075MR0300	POUR: 10402M
28	* SE075TR0300	POUR: 10402T
28	* SE100MR0300	POUR: 10403M
28	* SE100TR0300IE2	POUR: 10403T
28	* SE150MR0300	POUR: 10404M
28	* SE150TR0300IE2	POUR: 10404T
28	* SE200MR0300	POUR: 10405M
28	* SE200TR0300IE2	POUR: 10405T
28	* SE300MR0300	POUR: 10406M
28	* SE300TR0300IE2	POUR: 10406T

CODE 10401M, 10402M, 10402T, 10403M, 10403T, 10404M, 10404T, 10405M, 10405T, 10406M, 10406T

DESCRIPTION: SUPERSTAR PUMP



ENGLISH

POS	CODE	DESCRIPTION	QUANTITY	POS	CODE	DESCRIPTION	QUANTITY
1	CE05010061	PRE-FILTER CLOSURE		11	* CE05010033	PUMP BASE	
1	* CE05010725	PRE-FILTER CLOSURE		11	* CE05030011	PUMP BASE 3 HP	
2	CE05010062	PRE-FILTER COVER		12	* CE05010410	SILENTBLOCK (9X45X13)	
2	* CE05010542	PRE-FILTER COVER		12	* CE05010562	SILENTBLOCK (45 X 24 X 13) C71	
3	CE05010063	PREFILTRO COVER JOINT		13	CE05010073	DIFFUSER	
3	* CE05010543	PREFILTRO COVER JOINT		14	* CE05010196	IMPELLER 0,5 CV	
4	CE05010064	PRE-FILTER BASKET		14	* CE05010197	IMPELLER 0,75 CV	
4	* CE05010191	PRE-FILTER BASKET		14	* CE05010198	IMPELLER 1 CV	
5	CE05011151	METAL RING		14	* CE05010199	IMPELLER 1,5 CV	
6	CE05010066	SWIVEL PIN		14	* CE05010200	IMPELLER 2 CV	
7	CE05010065	PUMP HOUSING		14	* CE05010235	IMPELLER 3 CV	
7	* CE05011238	PUMP HOUSING		15	CE05010080	BODY COVER JOINT	

CODE **10401M, 10402M, 10402T, 10403M, 10403T, 10404M, 10404T, 10405M, 10405T, 10406M, 10406T**

DESCRIPTION: **SUPERSTAR PUMP**

8	CE04121107	PLUG 1/4'	15	* CE05010240	BODY GASKET
9	* CE05010871	PUMP HOUSING	16	CE05010118	MECHANICAL SEAL
10	CE05010072	O' RING	17	* CE05010081	MOTOR BRIDLE 0,5 / 0,75 / 1 HP
17	* CE05010082	MOTOR BRIDLE 1,5 / 2 / 3 HP	25	* CE05010050	MOTOR BEARINGS
18	CE05010071	MOTOR SCREW	25	* CE05010246	BEARING 1,5 CV
19	* CE05010047	BREAKWATER WASHER	25	* CE05010247	BEARING 2-3 CV
19	* CE05010547	BREAKWATER WASHER1,5 CV	26	* CE05010052	REAR MOTOR COVER 1/2-3/41 HP
19	* CE05010548	BREAKWATER WASHER 2-3 CV.	26	* CE05010551	MEMBRANE COVER SET 1,5 CV
20	* CE05010242	0.5-1 CV FRONT MOTOR COVER	26	* CE05010253	2-3 CV REAR MOTOR COVER
20	* CE05010549	MOTOR CLAMP 1,5 CV.	27	* CE05010056	FAN + COVER ASSEMBLY FOR 0,75 / 1 / 1,5
20	* CE05010550	MOTOR CLAMP 2-3 CV.	27	* CE05010258	FAN COVER + FAN 1,5 CV
21	* CE05010248	0.5-1 CV MOTOR FIXING SCREWS	27	* CE05010259	FAN COVER + FAN 2-3 CV
21	* CE05010250	2-3 CV. MOTOR FIXING SCREWS	28	* SE050MR0300	MOTOR NI/DY/SE2N/SE2R050M
21	* CE05010249	1,5 CV. MOTOR FIXING SCREWS	28	* SE075MR0300	MOTOR NI/DY/SE2N/SE2R075M
22	* CE05011083	CONNECTION GRID	28	* SE075TR0300	MOTOR NI/DY/SE2N/SE2R075T
22	* CE05011067	CONNECTION GRID	28	* SE100MR0300	MOTOR NI/DY/SE2N/SE2R100M
23	* CE05010060	CONDENSER 20 UF 0,75 / 1 / 1,5 HP.	28	* SE100TR0300IE2	MOTOR IE2 NI/DY/SE2N/SE2R100T
23	* CE05010059	CONDENSER 12 UF 0,33 / 0,50 HP.	28	* SE150MR0300	MOTOR NI/DY/SE2N/SE2R150M
23	* CE05010184	CONDENSER 35MF 1,5 HP	28	* SE150TR0300IE2	MOTOR IE2 NI/DY/SE2N/SE2R150T
23	* CE05010260	CONDENSER 45 UF	28	* SE200MR0300	MOTOR NI/DY/SE2N/SE2R200M
24	* CE05010057	TERMINAL BOX II	28	* SE200TR0300IE2	MOTOR IE2 NI/DY/SE2N/SE2R200T
24	* CE05010058	TERMINAL BOX III	28	* SE300MR0300	MOTOR NI/DY/SE2N/SE2R300M
24	* CE05010190	TERMINAL BOX 1,5-3 CV. III	28	* SE300TR0300IE2	MOTOR IE2 NI/DY/SE2N/SE2R300T
24	* CE05010261	TERMINAL BOX 1,5-3 CV. II			

CODE **10401M, 10402M, 10402T, 10403M, 10403T, 10404M, 10404T, 10405M, 10405T, 10406M, 10406T**

DESCRIPTION: **SUPERSTAR PUMP**

OBSERVATIONS

POS	CODE	OBSERVATIONS
1	* CE05010725	FOR: UPDATED
2	* CE05010542	FOR: UPDATED
3	* CE05010543	FOR: UPDATED
4	* CE05010191	FOR: UPDATED
7	* CE05011238	FOR: UPDATED
9	* CE05010871	FOR: OPTIONAL RETROFIT
11	* CE05010033	FOR: 10401M, 10402M, 10402T, 10403M, 10403T, 10404M, 10404T, 10405M, 10405T
11	* CE05030011	FOR: 10406M, 10406T
12	* CE05010410	FOR: 10401M, 10402M, 10402T, 10403M, 10403T, 10404M, 10404T, 10405M, 10405T
12	* CE05010562	FOR: 10406M, 10406T
14	* CE05010196	FOR: 10401M
14	* CE05010197	FOR: 10402M, 10402T
14	* CE05010198	FOR: 10403M, 10403T
14	* CE05010199	FOR: 10404M, 10404T
14	* CE05010200	FOR: 10405M, 10405T
14	* CE05010235	FOR: 10406M, 10406T
15	* CE05010240	FOR: UPDATED
17	* CE05010081	FOR: 10401M, 10402M, 10402T, 10403M, 10403T, 10404M
17	* CE05010082	FOR: 10404M, 10404T, 10405M, 10405T, 10406M, 10406T
19	* CE05010047	FOR: 10401M, 10402M, 10402T, 10403M, 10403T
19	* CE05010547	FOR: 10404M, 10404T
19	* CE05010548	FOR: 10405M, 10405T, 10406M, 10406T
20	* CE05010242	FOR: 10401M, 10402M, 10402T, 10403M, 10403T
20	* CE05010549	FOR: 10404M, 10404T
20	* CE05010550	FOR: 10405M, 10405T, 10406M, 10406T
21	* CE05010248	FOR: 10401M, 10402M, 10402T, 10403M, 10403T
21	* CE05010250	FOR: 10405M, 10405T, 10406M, 10406T
21	* CE05010249	FOR: 10404M, 10404T
22	* CE05011083	FOR: 10401M, 10402M, 10403M, 10404M, 10405M, 10406M
22	* CE05011067	FOR: 10402T, 10403T, 10404T, 10405T, 10406T
23	* CE05010060	FOR: 10402M, 10403M
23	* CE05010059	FOR: 10401M
23	* CE05010184	FOR: 10404M, 10406M
23	* CE05010260	FOR: 10405M
24	* CE05010057	FOR: 10401M, 10403M
24	* CE05010058	FOR: 10402T, 10403T
24	* CE05010190	FOR: 10404T, 10405T, 10406T
24	* CE05010261	FOR: 10404M, 10405M, 10406M
25	* CE05010050	FOR: 10401M, 10402M, 10402T, 10403M, 10403T
25	* CE05010246	FOR: 10404M, 10404T
25	* CE05010247	FOR: 10405M, 10405T, 10406M, 10406T
26	* CE05010052	FOR: 10401M, 10402M, 10402T, 10403M, 10403T
26	* CE05010551	FOR: 10404M, 10404T

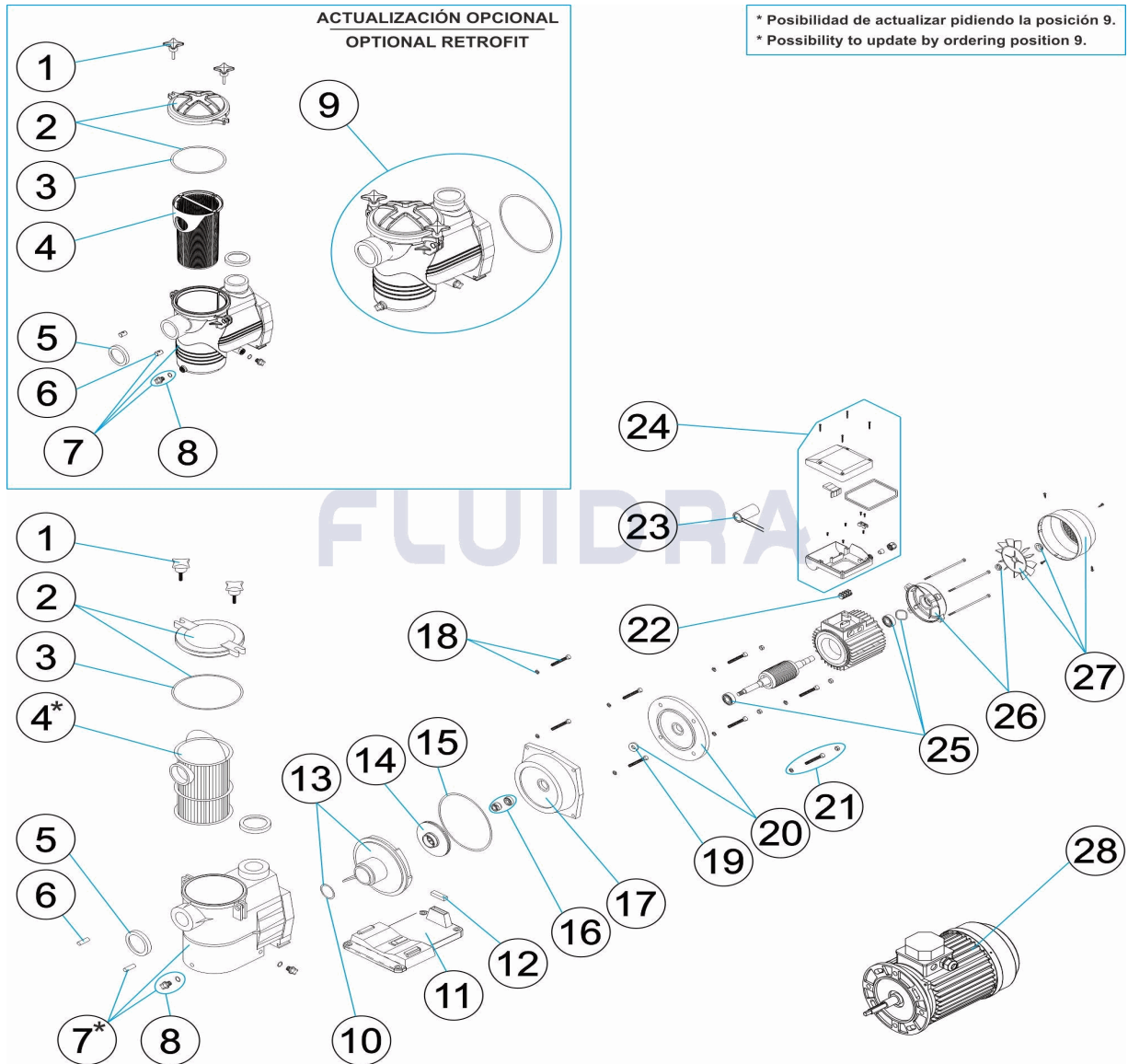
CODE **10401M, 10402M, 10402T, 10403M, 10403T, 10404M, 10404T, 10405M,
10405T, 10406M, 10406T**

DESCRIPTION: **SUPERSTAR PUMP**

26	* CE05010253	FOR: 10405M, 10405T, 10406M, 10406T
27	* CE05010056	FOR: 10401M, 10402M, 10402T, 10403M, 10403T
27	* CE05010258	FOR: 10404M, 10404T
27	* CE05010259	FOR: 10405M, 10405T, 10406M, 10406T
28	* SE050MR0300	FOR: 10401M
28	* SE075MR0300	FOR: 10402M
28	* SE075TR0300	FOR: 10402T
28	* SE100MR0300	FOR: 10403M
28	* SE100TR0300IE2	FOR: 10403T
28	* SE150MR0300	FOR: 10404M
28	* SE150TR0300IE2	FOR: 10404T
28	* SE200MR0300	FOR: 10405M
28	* SE200TR0300IE2	FOR: 10405T
28	* SE300MR0300	FOR: 10406M
28	* SE300TR0300IE2	FOR: 10406T

CODICE **10401M, 10402M, 10402T, 10403M, 10403T, 10404M, 10404T, 10405M, 10405T, 10406M, 10406T**

DESCRIZIONE: **POMPA SUPERSTAR**



ITALIANO

POS	CODICE	DESCRIZIONE	QUANTITA'	POS	CODICE	DESCRIZIONE	QUANTITA'
1	CE05010061	CHIUSURA PREFILTRO		11	* CE05010033	BASAMENTO POMPA	
1	* CE05010725	CHIUSURA PREFILTRO		11	* CE05030011	PIEDE POMPA 3 HP	
2	CE05010062	COPERCHIO PREFILTRO		12	* CE05010410	SILENBLOC (9X45X13)	
2	* CE05010542	COPERCHIO PREFILTRO		12	* CE05010562	SILENBLOC (45 X 24 X 13) C71	
3	CE05010063	GUARNICIONE COPERCHIO PRE-FILTRO		13	CE05010073	DIFFUSORE	
3	* CE05010543	GUARNICIONE COPERCHIO PRE-FILTRO		14	* CE05010196	TURBINA 0,5 CV	
4	CE05010064	CESTO PREFILTRO		14	* CE05010197	TURBINA 0,75 CV	
4	* CE05010191	CESTO PREFILTRO		14	* CE05010198	TURBINA 1 CV	
5	CE05011151	ANELLO METALLICO		14	* CE05010199	TURBINA 1,5 CV	
6	CE05010066	PERNO BASCULANTE		14	* CE05010200	TURBINA 2 CV	
7	CE05010065	CORPO POMBA		14	* CE05010235	TURBINA 3 CV	
7	* CE05011238	CORPO POMBA		15	CE05010080	GUARNIZIONE COPERCHIO CORPO	

*** SI FACCIA RIFERIMENTO AL FOGLIO DELLE OSSERVAZIONI**

CODICE **10401M, 10402M, 10402T, 10403M, 10403T, 10404M, 10404T, 10405M, 10405T, 10406M, 10406T**

DESCRIZIONE: POMPA SUPERSTAR

8	CE04121107	COPERCHIO 1/4' VALVOLA	15	* CE05010240	GUARNIZIONE CORPO
9	* CE05010871	CORPO BOMBA	16	CE05010118	GUARNIZIONE MECCANICA
10	CE05010072	O-RING	17	* CE05010081	FLANGIA SUPPORTO MOTORE 0,5 / 0,75 / 1
17	* CE05010082	FLANGIA SUPPORTO MOTORE 1,5 / 2 / 3 HI	25	* CE05010050	CUSCINETTO MOTORE
18	CE05010071	VITE MOTORE	25	* CE05010246	CUSCINETTO 1,5 CV
19	* CE05010047	RONDELLA	25	* CE05010247	CUSCINETTO 2-3 CV
19	* CE05010547	RONDELLA 1,5 CV	26	* CE05010052	COPERCHIO POSTERIORE MOTORE 1/2-3/
19	* CE05010548	RONDELLA 2-3 CV.	26	* CE05010551	CHIUSURA DIAFRAMMA 1,5 CV
20	* CE05010242	COPERCHIO ANTERIORE MOTORE 0,5-1 C	26	* CE05010253	COPERCHIO POSTERIORE MOTORE 2-3 CV
20	* CE05010549	FLANGIA MOTORE 1,5 CV.	27	* CE05010056	GRUPPO VENTILATORE + COPERCHIO 0,75
20	* CE05010550	FLANGIA MOTORE 2-3 CV.	27	* CE05010258	COPERCHIO VENTILATORE + VENTILATOR
21	* CE05010248	VITI FISSAGGIO MOTORE 0,5-1 CV	27	* CE05010259	COPERCHIO VENTILATORE + VENTILATOR
21	* CE05010250	VITI FISSAGGIO MOTORE 2-3 CV.	28	* SE050MR0300	MOTORE NI/DY/SE2N/SE2R050M
21	* CE05010249	VITI FISSAGGIO MOTORE 1,5 CV.	28	* SE075MR0300	MOTORE NI/DY/SE2N/SE2R075M
22	* CE05011083	MORSETTI CONNESSIONE	28	* SE075TR0300	MOTORE NI/DY/SE2N/SE2R075T
22	* CE05011067	MORSETTI CONNESSIONE	28	* SE100MR0300	MOTORE NI/DY/SE2N/SE2R100M
23	* CE05010060	CONDENSATORE 20 UF 0,75 / 1 / 1,5 HP.	28	* SE100TR0300IE2	MOTORE IE2 NI/DY/SE2N/SE2R100T
23	* CE05010059	CONDENSATORE 12 UF 0,33 / 0,50 HP.	28	* SE150MR0300	MOTORE NI/DY/SE2N/SE2R150M
23	* CE05010184	CONDENSATORE 35MF 1,5 HP	28	* SE150TR0300IE2	MOTORE IE2 NI/DY/SE2N/SE2R150T
23	* CE05010260	CONDENSATORE 45 UF	28	* SE200MR0300	MOTORE NI/DY/SE2N/SE2R200M
24	* CE05010057	COPERCHIO MORSETTIERA II	28	* SE200TR0300IE2	MOTORE IE2 NI/DY/SE2N/SE2R200T
24	* CE05010058	COPERCHIO MORSETTIERA III	28	* SE300MR0300	MOTORE NI/DY/SE2N/SE2R300M
24	* CE05010190	COPERCHIO MORSETTIERA 1,5-3 CV. III	28	* SE300TR0300IE2	MOTORE IE2 NI/DY/SE2N/SE2R300T
24	* CE05010261	COPERCHIO MORSETTIERA 1,5-3 CV. II			

CODICE **10401M, 10402M, 10402T, 10403M, 10403T, 10404M, 10404T, 10405M, 10405T, 10406M, 10406T**

DESCRIZIONE: POMPA SUPERSTAR

OSSERVAZIONI

POS	CODICE	OSSERVAZIONI
1	*CE05010725	PER: UPDATED
2	*CE05010542	PER: UPDATED
3	*CE05010543	PER: UPDATED
4	*CE05010191	PER: UPDATED
7	*CE05011238	PER: UPDATED
9	*CE05010871	PER: OPTIONAL RETROFIT
11	*CE05010033	PER: 10401M, 10402M, 10402T, 10403M, 10403T, 10404M, 10404T, 10405M, 10405T
11	*CE05030011	PER: 10406M, 10406T
12	*CE05010410	PER: 10401M, 10402M, 10402T, 10403M, 10403T, 10404M, 10404T, 10405M, 10405T
12	*CE05010562	PER: 10406M, 10406T
14	*CE05010196	PER: 10401M
14	*CE05010197	PER: 10402M, 10402T
14	*CE05010198	PER: 10403M, 10403T
14	*CE05010199	PER: 10404M, 10404T
14	*CE05010200	PER: 10405M, 10405T
14	*CE05010235	PER: 10406M, 10406T
15	*CE05010240	PER: UPDATED
17	*CE05010081	PER: 10401M, 10402M, 10402T, 10403M, 10403T, 10404M
17	*CE05010082	PER: 10404M, 10404T, 10405M, 10405T, 10406M, 10406T
19	*CE05010047	PER: 10401M, 10402M, 10402T, 10403M, 10403T
19	*CE05010547	PER: 10404M, 10404T
19	*CE05010548	PER: 10405M, 10405T, 10406M, 10406T
20	*CE05010242	PER: 10401M, 10402M, 10402T, 10403M, 10403T
20	*CE05010549	PER: 10404M, 10404T
20	*CE05010550	PER: 10405M, 10405T, 10406M, 10406T
21	*CE05010248	PER: 10401M, 10402M, 10402T, 10403M, 10403T
21	*CE05010250	PER: 10405M, 10405T, 10406M, 10406T
21	*CE05010249	PER: 10404M, 10404T
22	*CE05011083	PER: 10401M, 10402M, 10403M, 10404M, 10405M, 10406M
22	*CE05011067	PER: 10402T, 10403T, 10404T, 10405T, 10406T
23	*CE05010060	PER: 10402M, 10403M
23	*CE05010059	PER: 10401M
23	*CE05010184	PER: 10404M, 10406M
23	*CE05010260	PER: 10405M
24	*CE05010057	PER: 10401M, 10403M
24	*CE05010058	PER: 10402T, 10403T
24	*CE05010190	PER: 10404T, 10405T, 10406T
24	*CE05010261	PER: 10404M, 10405M, 10406M
25	*CE05010050	PER: 10401M, 10402M, 10402T, 10403M, 10403T
25	*CE05010246	PER: 10404M, 10404T
25	*CE05010247	PER: 10405M, 10405T, 10406M, 10406T
26	*CE05010052	PER: 10401M, 10402M, 10402T, 10403M, 10403T
26	*CE05010551	PER: 10404M, 10404T

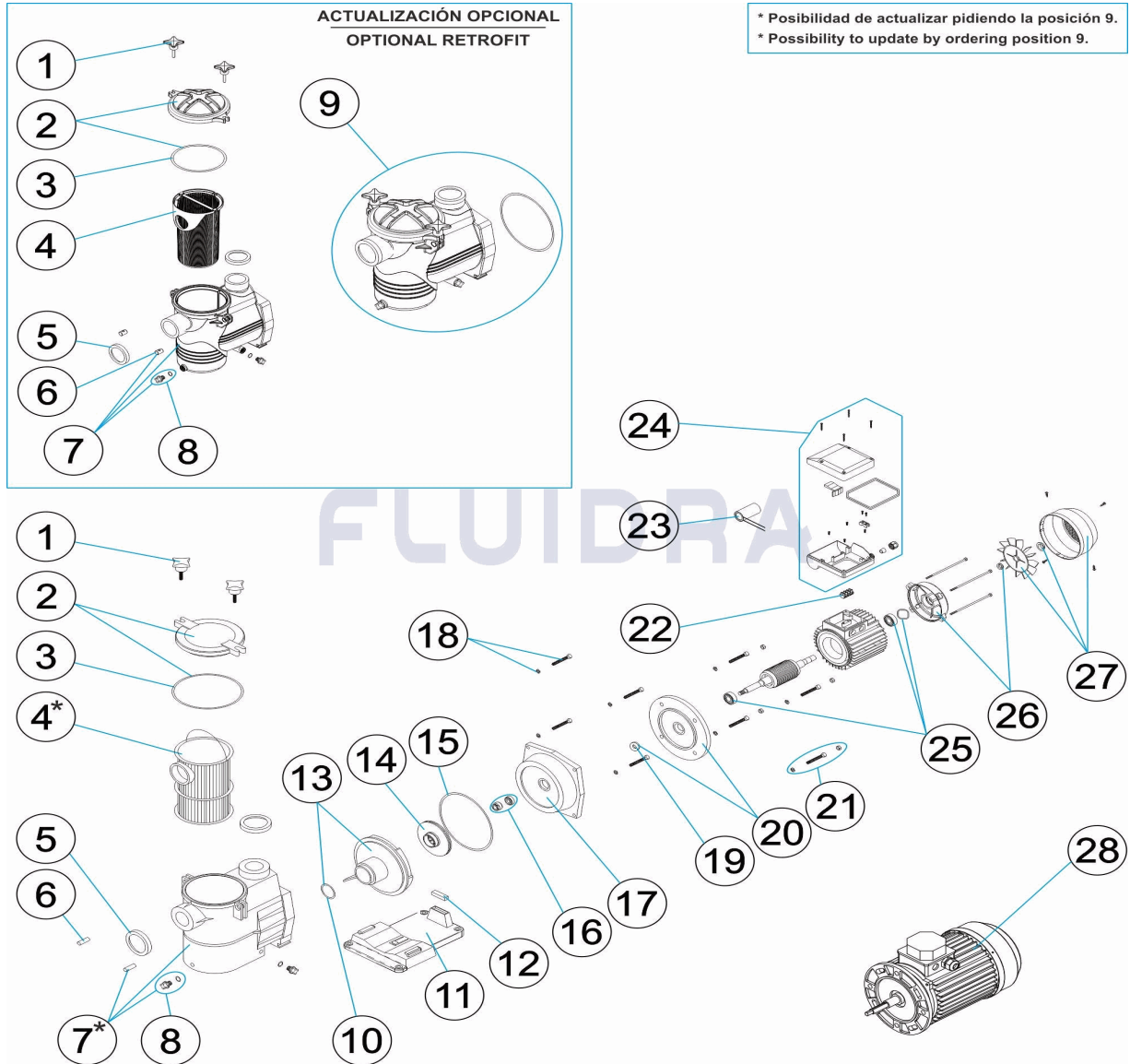
CODICE **10401M, 10402M, 10402T, 10403M, 10403T, 10404M, 10404T, 10405M,
10405T, 10406M, 10406T**

DESCRIZIONE: **POMPA SUPERSTAR**

26	* CE05010253	PER: 10405M, 10405T, 10406M, 10406T
27	* CE05010056	PER: 10401M, 10402M, 10402T, 10403M, 10403T
27	* CE05010258	PER: 10404M, 10404T
27	* CE05010259	PER: 10405M, 10405T, 10406M, 10406T
28	* SE050MR0300	PER: 10401M
28	* SE075MR0300	PER: 10402M
28	* SE075TR0300	PER: 10402T
28	* SE100MR0300	PER: 10403M
28	* SE100TR0300IE2	PER: 10403T
28	* SE150MR0300	PER: 10404M
28	* SE150TR0300IE2	PER: 10404T
28	* SE200MR0300	PER: 10405M
28	* SE200TR0300IE2	PER: 10405T
28	* SE300MR0300	PER: 10406M
28	* SE300TR0300IE2	PER: 10406T

CODE **10401M, 10402M, 10402T, 10403M, 10403T, 10404M, 10404T, 10405M, 10405T, 10406M, 10406T**

BESCHREIBUNG: **PUMPE SUPERSTAR**



DEUTSCH

POS	CODE	BESCHREIBUNG	MENGE	POS	CODE	BESCHREIBUNG	MENGE
1	CE05010061	SCHLISSVORRICHTUNG VORFILTER		11	* CE05010033	PUMPENFUSS	
1	* CE05010725	SCHLISSVORRICHTUNG VORFILTER		11	* CE05030011	PUMPENFUSS 3 CV	
2	CE05010062	VORFILTERDECKEL		12	* CE05010410	SCHWINGUNGSDÄMPFER (9 X 45 X 13)	
2	* CE05010542	VORFILTERDECKEL		12	* CE05010562	SCHWINGUNGSDÄMPFER (45 X 24 X 13) C	
3	CE05010063	DICHTUNG VORFILTERDECKEL		13	CE05010073	WASSERVERTEILER	
3	* CE05010543	DICHTUNG VORFILTERDECKEL		14	* CE05010196	TURBINE 0,5 CV	
4	CE05010064	VORFILTERKORB		14	* CE05010197	TURBINE 0,75 CV	
4	* CE05010191	VORFILTERKORB		14	* CE05010198	TURBINE 1 CV	
5	CE05011151	METALLBÜGEL		14	* CE05010199	TURBINE 1,5 CV	
6	CE05010066	KIPPSTIFT		14	* CE05010200	TURBINE 2 CV	
7	CE05010065	PUMPENGEHÄUSE		14	* CE05010235	TURBINE 3 CV	
7	* CE05011238	PUMPENGEHÄUSE		15	CE05010080	DICHTUNG ABDECKUNG GEHÄUSE	

CODE **10401M, 10402M, 10402T, 10403M, 10403T, 10404M, 10404T, 10405M, 10405T, 10406M, 10406T**

BESCHREIBUNG: **PUMPE SUPERSTAR**

8	CE04121107	STOPFEN 1/4' VENTIL	15	* CE05010240	DICHTUNG PUMPENGEHÄUSE
9	* CE05010871	PUMPENGEHÄUSE	16	CE05010118	GLEITRINGDICHTUNG
10	CE05010072	O-RING WASSERVERTEILER	17	* CE05010081	FLANSCH MOTORHALTERUNG 0,5 / 0,75 / 1
17	* CE05010082	FLANSCH MOTORHALTERUNG 1,5 / 2 / 3 HI	25	* CE05010050	WÄLZLAGER MOTOR
18	CE05010071	BEFESTIGUNGSSCHRAUBEN GEHÄUSE	25	* CE05010246	WÄLZLAGER 1,5 CV
19	* CE05010047	UNTERLEGSCHLEIBE WASSERBRECHER	25	* CE05010247	WÄLZLAGER 2 - 3 CV
19	* CE05010547	UNTERLEGSCHLEIBE WASSERBRECHER 1,	26	* CE05010052	MOTORDECKEL HINTEN 1/2 - 3/41 HP
19	* CE05010548	UNTERLEGSCHLEIBE WASSERBRECHER 2	26	* CE05010551	MOTORDECKEL 1,5 CV
20	* CE05010242	MOTORDECKEL VORNE 0,5 - 1 CV	26	* CE05010253	ABDECKUNG MOTOR HINTEN 2 - 3 CV
20	* CE05010549	MOTORFLANSCH 1,5 CV	27	* CE05010056	SET VENTILATOR MIT ABDECKUNG 0,75 / 1
20	* CE05010550	MOTORFLANSCH 2 - 3 CV	27	* CE05010258	VENTILATORDECKEL MIT VENTILATOR 1,5
21	* CE05010248	FIXIERSCHRAUBEN MOTOR 0,5 - 1 CV	27	* CE05010259	VENTILATORDECKEL MIT VENTILATOR 2 - 3
21	* CE05010250	FIXIERSCHRAUBEN MOTOR 2 - 3 CV	28	* SE050MR0300	MOTOR NI/DY/SE2N/SE2R050M
21	* CE05010249	FIXIERSCHRAUBEN MOTOR 1,5 CV	28	* SE075MR0300	MOTOR NI/DY/SE2N/SE2R075M
22	* CE05011083	KLEMMLEISTE	28	* SE075TR0300	MOTOR NI/DY/SE2N/SE2R075T
22	* CE05011067	KLEMMLEISTE	28	* SE100MR0300	MOTOR NI/DY/SE2N/SE2R100M
23	* CE05010060	KONDENSATOR 20 MF 0,75 / 1 / 1,5 CV	28	* SE100TR0300IE2	MOTOR IE2 NI/DY/SE2N/SE2R100T
23	* CE05010059	KONDENSATOR 12 MF 0,33 / 0,50 CV	28	* SE150MR0300	MOTOR NI/DY/SE2N/SE2R150M
23	* CE05010184	KONDENSATOR 35 MF 1,5 HP	28	* SE150TR0300IE2	MOTOR IE2 NI/DY/SE2N/SE2R150T
23	* CE05010260	KONDENSATOR 45 MF 2 CV	28	* SE200MR0300	MOTOR NI/DY/SE2N/SE2R200M
24	* CE05010057	ANSCHLUSSGEHÄUSE KOMPLETT II	28	* SE200TR0300IE2	MOTOR IE2 NI/DY/SE2N/SE2R200T
24	* CE05010058	ANSCHLUSSGEHÄUSE KOMPLETT III	28	* SE300MR0300	MOTOR NI/DY/SE2N/SE2R300M
24	* CE05010190	ANSCHLUSSGEHÄUSE KOMPLETT 1,5 - 3 CV	28	* SE300TR0300IE2	MOTOR IE2 NI/DY/SE2N/SE2R300T
24	* CE05010261	ANSCHLUSSGEHÄUSE KOMPLETT 1,5 - 3 CV			

CODE **10401M, 10402M, 10402T, 10403M, 10403T, 10404M, 10404T, 10405M, 10405T, 10406M, 10406T**

BESCHREIBUNG: **PUMPE SUPERSTAR**

HINWEISE

POS	CODE	HINWEISE
1	*CE05010725	FÜR: UPDATED
2	*CE05010542	FÜR: UPDATED
3	*CE05010543	FÜR: UPDATED
4	*CE05010191	FÜR: UPDATED
7	*CE05011238	FÜR: UPDATED
9	*CE05010871	FÜR: OPTIONAL RETROFIT
11	*CE05010033	FÜR: 10401M, 10402M, 10402T, 10403M, 10403T, 10404M, 10404T, 10405M, 10405T
11	*CE05030011	FÜR: 10406M, 10406T
12	*CE05010410	FÜR: 10401M, 10402M, 10402T, 10403M, 10403T, 10404M, 10404T, 10405M, 10405T
12	*CE05010562	FÜR: 10406M, 10406T
14	*CE05010196	FÜR: 10401M
14	*CE05010197	FÜR: 10402M, 10402T
14	*CE05010198	FÜR: 10403M, 10403T
14	*CE05010199	FÜR: 10404M, 10404T
14	*CE05010200	FÜR: 10405M, 10405T
14	*CE05010235	FÜR: 10406M, 10406T
15	*CE05010240	FÜR: UPDATED
17	*CE05010081	FÜR: 10401M, 10402M, 10402T, 10403M, 10403T, 10404M
17	*CE05010082	FÜR: 10404M, 10404T, 10405M, 10405T, 10406M, 10406T
19	*CE05010047	FÜR: 10401M, 10402M, 10402T, 10403M, 10403T
19	*CE05010547	FÜR: 10404M, 10404T
19	*CE05010548	FÜR: 10405M, 10405T, 10406M, 10406T
20	*CE05010242	FÜR: 10401M, 10402M, 10402T, 10403M, 10403T
20	*CE05010549	FÜR: 10404M, 10404T
20	*CE05010550	FÜR: 10405M, 10405T, 10406M, 10406T
21	*CE05010248	FÜR: 10401M, 10402M, 10402T, 10403M, 10403T
21	*CE05010250	FÜR: 10405M, 10405T, 10406M, 10406T
21	*CE05010249	FÜR: 10404M, 10404T
22	*CE05011083	FÜR: 10401M, 10402M, 10403M, 10404M, 10405M, 10406M
22	*CE05011067	FÜR: 10402T, 10403T, 10404T, 10405T, 10406T
23	*CE05010060	FÜR: 10402M, 10403M
23	*CE05010059	FÜR: 10401M
23	*CE05010184	FÜR: 10404M, 10406M
23	*CE05010260	FÜR: 10405M
24	*CE05010057	FÜR: 10401M, 10403M
24	*CE05010058	FÜR: 10402T, 10403T
24	*CE05010190	FÜR: 10404T, 10405T, 10406T
24	*CE05010261	FÜR: 10404M, 10405M, 10406M
25	*CE05010050	FÜR: 10401M, 10402M, 10402T, 10403M, 10403T
25	*CE05010246	FÜR: 10404M, 10404T
25	*CE05010247	FÜR: 10405M, 10405T, 10406M, 10406T
26	*CE05010052	FÜR: 10401M, 10402M, 10402T, 10403M, 10403T
26	*CE05010551	FÜR: 10404M, 10404T

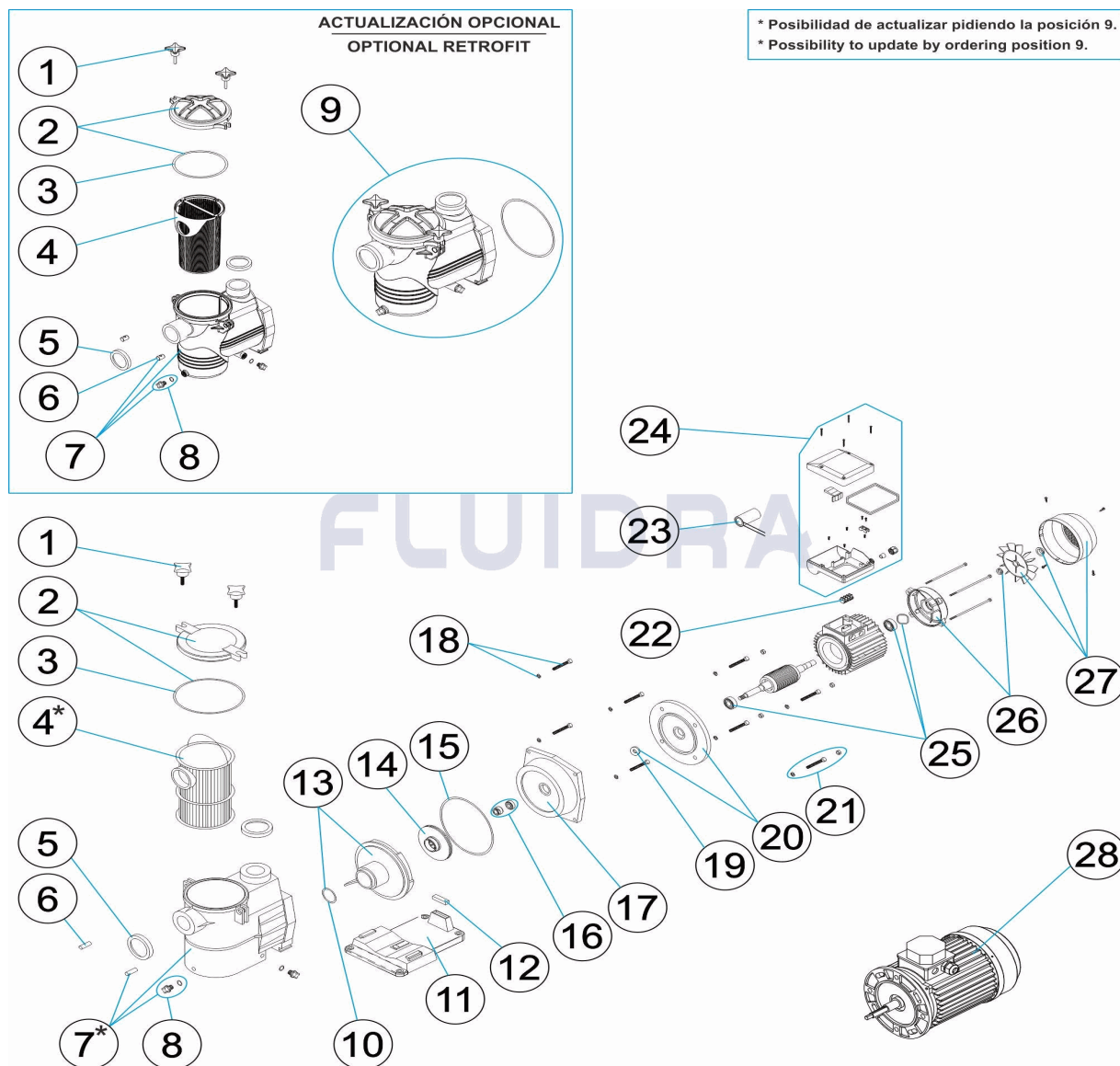
CODE **10401M, 10402M, 10402T, 10403M, 10403T, 10404M, 10404T, 10405M,
10405T, 10406M, 10406T**

BESCHREIBUNG: **PUMPE SUPERSTAR**

26	* CE05010253	FÜR: 10405M, 10405T, 10406M, 10406T
27	* CE05010056	FÜR: 10401M, 10402M, 10402T, 10403M, 10403T
27	* CE05010258	FÜR: 10404M, 10404T
27	* CE05010259	FÜR: 10405M, 10405T, 10406M, 10406T
28	* SE050MR0300	FÜR: 10401M
28	* SE075MR0300	FÜR: 10402M
28	* SE075TR0300	FÜR: 10402T
28	* SE100MR0300	FÜR: 10403M
28	* SE100TR0300IE2	FÜR: 10403T
28	* SE150MR0300	FÜR: 10404M
28	* SE150TR0300IE2	FÜR: 10404T
28	* SE200MR0300	FÜR: 10405M
28	* SE200TR0300IE2	FÜR: 10405T
28	* SE300MR0300	FÜR: 10406M
28	* SE300TR0300IE2	FÜR: 10406T

CODIGO 10401M, 10402M, 10402T, 10403M, 10403T, 10404M, 10404T, 10405M, 10405T, 10406M, 10406T

DESCRICAÇÃO: BOMBA SUPERSTAR



PORTUGUES

POS	CODIGO	DESCRICAÇÃO	JANTIDADE	POS	CODIGO	DESCRICAÇÃO	JANTIDADE
1	CE05010061	FECHO PRÉ-FILTRO		11	* CE05010033	PÉ BOMBA	
1	* CE05010725	FECHO PRÉ-FILTRO		11	* CE05030011	PÉ BOMBA 3 HP	
2	CE05010062	TAMPA PRÉ-FILTRO		12	* CE05010410	SILENT-BLOCK (9X45X13)	
2	* CE05010542	TAMPA PRÉ-FILTRO		12	* CE05010562	SILENT-BLOCK (45 X 24 X 13) C71	
3	CE05010063	JUNTA TAMPA PRÉ-FILTRO		13	CE05010073	DIFUSOR	
3	* CE05010543	JUNTA TAMPA PRÉ-FILTRO		14	* CE05010196	TURBINA 0,5 CV	
4	CE05010064	CESTO PRÉ-FILTRO		14	* CE05010197	TURBINA 0,75 CV	
4	* CE05010191	CESTO PRÉ-FILTRO		14	* CE05010198	TURBINA 1 CV	
5	CE05011151	ARO METÁLICO		14	* CE05010199	TURBINA 1,5 CV	
6	CE05010066	PASSADOR BASCULANTE		14	* CE05010200	TURBINA 2 CV	
7	CE05010065	CORPO BOMBA		14	* CE05010235	TURBINA 3 CV	
7	* CE05011238	CORPO BOMBA		15	CE05010080	JUNTA TAMPA DO CORPO	

CODIGO **10401M, 10402M, 10402T, 10403M, 10403T, 10404M, 10404T, 10405M, 10405T, 10406M, 10406T**

DESCRIÇÃO: BOMBA SUPERSTAR

8	CE04121107	TAMPÃO 1/4' VÁLVULA	15	* CE05010240	JUNTA CORPO
9	* CE05010871	CORPO BOMBA	16	CE05010118	JUNTA MECÂNICA
10	CE05010072	JUNTA TÓRICA	17	* CE05010081	FLANGE SUPORTE MOTOR 0,5 / 0,75 / 1 HP
17	* CE05010082	FLANGE SUPORTE MOTOR 1,5 / 2 / 3 HP	25	* CE05010050	ROLAMENTO MOTOR
18	CE05010071	PARAFUSO MOTOR	25	* CE05010246	ROLAMIENTOS 1,5 CV
19	* CE05010047	ALHETA ROMPE ÁGUAS	25	* CE05010247	ROLAMIENTOS 2-3 CV
19	* CE05010547	ALHETA ROMPE ÁGUAS 1,5 CV	26	* CE05010052	TAMPA TRASEIRA MOTOR 1/2-3/41 HP
19	* CE05010548	ALHETA ROMPE ÁGUAS 2-3 CV.	26	* CE05010551	TAMPA MEMBRANA 1,5 CV
20	* CE05010242	TAMPA MOTOR DIANTEIRA 0,5-1 CV.	26	* CE05010253	TAMPA MOTOR TRASEIRA 2-3 CV.
20	* CE05010549	MANILHA MOTOR 1,5 CV.	27	* CE05010056	CONJUNTO VENTILADOR + TAMPA DE 0,75
20	* CE05010550	MANILHA MOTOR 2-3 CV.	27	* CE05010258	TAMPA VENTILADOR + VENTILADOR 1,5 CV
21	* CE05010248	PARAFUSOS FIXAÇÃO MOTOR 0,5-1 CV.	27	* CE05010259	TAMPA VENTILADOR + VENTILADOR 2-3 CV
21	* CE05010250	PARAFUSOS FIXAÇÃO MOTOR 2-3 CV..	28	* SE050MR0300	MOTOR NI/DY/SE2N/SE2R050M
21	* CE05010249	PARAFUSOS FIXAÇÃO MOTOR 1,5 CV.	28	* SE075MR0300	MOTOR NI/DY/SE2N/SE2R075M
22	* CE05011083	REGUA DE LIGAÇÃO	28	* SE075TR0300	MOTOR NI/DY/SE2N/SE2R075T
22	* CE05011067	REGUA DE LIGAÇÃO	28	* SE100MR0300	MOTOR NI/DY/SE2N/SE2R100M
23	* CE05010060	CONDENSADOR 20 UF 0,75 / 1 / 1,5 HP.	28	* SE100TR0300IE2	MOTOR IE2 NI/DY/SE2N/SE2R100T
23	* CE05010059	CONDENSADOR 12 UF 0,33 / 0,50 HP.	28	* SE150MR0300	MOTOR NI/DY/SE2N/SE2R150M
23	* CE05010184	CONDENSADOR 35MF 1,5 HP	28	* SE150TR0300IE2	MOTOR IE2 NI/DY/SE2N/SE2R150T
23	* CE05010260	CONDENSADOR 45 UF	28	* SE200MR0300	MOTOR NI/DY/SE2N/SE2R200M
24	* CE05010057	CAIXA BORNES II	28	* SE200TR0300IE2	MOTOR IE2 NI/DY/SE2N/SE2R200T
24	* CE05010058	CAIXA BORNES III	28	* SE300MR0300	MOTOR NI/DY/SE2N/SE2R300M
24	* CE05010190	CAIXA BORNES 1,5-3 CV. III	28	* SE300TR0300IE2	MOTOR IE2 NI/DY/SE2N/SE2R300T
24	* CE05010261	CAIXA BORNES 1,5-3 CV. II			

CODIGO **10401M, 10402M, 10402T, 10403M, 10403T, 10404M, 10404T, 10405M, 10405T, 10406M, 10406T**

DESCRIÇÃO: BOMBA SUPERSTAR

OBSERVAÇÕES

POS	CODIGO	OBSERVAÇÕES
1	* CE05010725	PARA: UPDATED
2	* CE05010542	PARA: UPDATED
3	* CE05010543	PARA: UPDATED
4	* CE05010191	PARA: UPDATED
7	* CE05011238	PARA: UPDATED
9	* CE05010871	PARA: OPTIONAL RETROFIT
11	* CE05010033	PARA: 10401M, 10402M, 10402T, 10403M, 10403T, 10404M, 10404T, 10405M, 10405T
11	* CE05030011	PARA: 10406M, 10406T
12	* CE05010410	PARA: 10401M, 10402M, 10402T, 10403M, 10403T, 10404M, 10404T, 10405M, 10405T
12	* CE05010562	PARA: 10406M, 10406T
14	* CE05010196	PARA: 10401M
14	* CE05010197	PARA: 10402M, 10402T
14	* CE05010198	PARA: 10403M, 10403T
14	* CE05010199	PARA: 10404M, 10404T
14	* CE05010200	PARA: 10405M, 10405T
14	* CE05010235	PARA: 10406M, 10406T
15	* CE05010240	PARA: UPDATED
17	* CE05010081	PARA: 10401M, 10402M, 10402T, 10403M, 10403T, 10404M
17	* CE05010082	PARA: 10404M, 10404T, 10405M, 10405T, 10406M, 10406T
19	* CE05010047	PARA: 10401M, 10402M, 10402T, 10403M, 10403T
19	* CE05010547	PARA: 10404M, 10404T
19	* CE05010548	PARA: 10405M, 10405T, 10406M, 10406T
20	* CE05010242	PARA: 10401M, 10402M, 10402T, 10403M, 10403T
20	* CE05010549	PARA: 10404M, 10404T
20	* CE05010550	PARA: 10405M, 10405T, 10406M, 10406T
21	* CE05010248	PARA: 10401M, 10402M, 10402T, 10403M, 10403T
21	* CE05010250	PARA: 10405M, 10405T, 10406M, 10406T
21	* CE05010249	PARA: 10404M, 10404T
22	* CE05011083	PARA: 10401M, 10402M, 10403M, 10404M, 10405M, 10406M
22	* CE05011067	PARA: 10402T, 10403T, 10404T, 10405T, 10406T
23	* CE05010060	PARA: 10402M, 10403M
23	* CE05010059	PARA: 10401M
23	* CE05010184	PARA: 10404M, 10406M
23	* CE05010260	PARA: 10405M
24	* CE05010057	PARA: 10401M, 10403M
24	* CE05010058	PARA: 10402T, 10403T
24	* CE05010190	PARA: 10404T, 10405T, 10406T
24	* CE05010261	PARA: 10404M, 10405M, 10406M
25	* CE05010050	PARA: 10401M, 10402M, 10402T, 10403M, 10403T
25	* CE05010246	PARA: 10404M, 10404T
25	* CE05010247	PARA: 10405M, 10405T, 10406M, 10406T
26	* CE05010052	PARA: 10401M, 10402M, 10402T, 10403M, 10403T
26	* CE05010551	PARA: 10404M, 10404T

CODIGO **10401M, 10402M, 10402T, 10403M, 10403T, 10404M, 10404T, 10405M, 10405T, 10406M, 10406T**

DESCRIÇÃO: BOMBA SUPERSTAR

26	* CE05010253	PARA: 10405M, 10405T, 10406M, 10406T
27	* CE05010056	PARA: 10401M, 10402M, 10402T, 10403M, 10403T
27	* CE05010258	PARA: 10404M, 10404T
27	* CE05010259	PARA: 10405M, 10405T, 10406M, 10406T
28	* SE050MR0300	PARA: 10401M
28	* SE075MR0300	PARA: 10402M
28	* SE075TR0300	PARA: 10402T
28	* SE100MR0300	PARA: 10403M
28	* SE100TR0300IE2	PARA: 10403T
28	* SE150MR0300	PARA: 10404M
28	* SE150TR0300IE2	PARA: 10404T
28	* SE200MR0300	PARA: 10405M
28	* SE200TR0300IE2	PARA: 10405T
28	* SE300MR0300	PARA: 10406M
28	* SE300TR0300IE2	PARA: 10406T