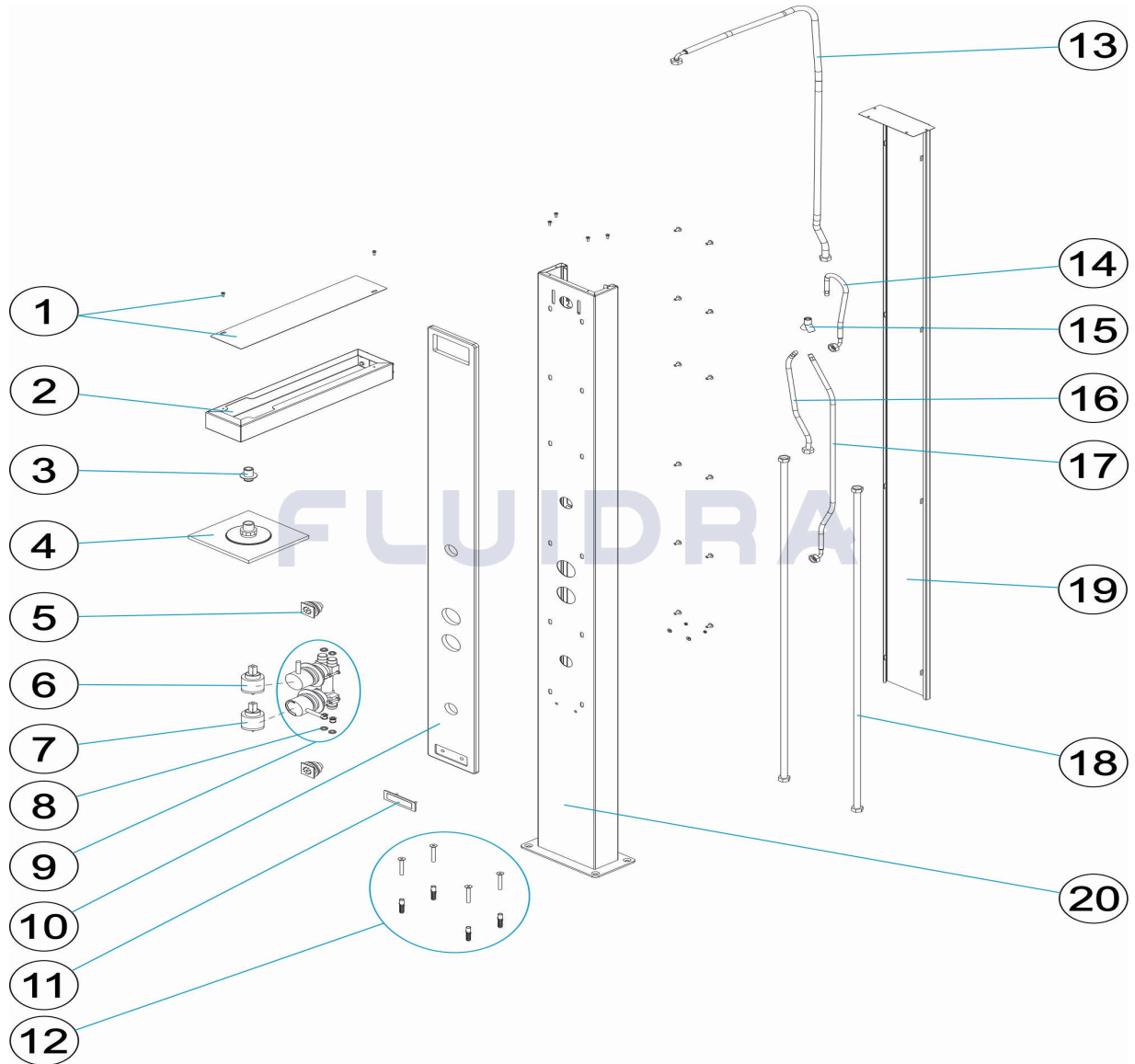


CODIGO **53874**

DESCRIPCION: **DUCHA IGUAZU**



ESPAÑOL

| POS | CODIGO | DESCRIPCION | CANTIDAD | POS | CODIGO | DESCRIPCION | CANTIDAD |
|-----|--------------|----------------------------------|----------|-----|--------------|---|----------|
| 1 | 4401040061 | TAPA BRAZO | | 10 | * 4401040223 | EMBELLECEDOR CORIAN 6 M/M. | |
| 2 | 4401040060 | BRAZO DUCHA | | 11 | 4401040064 | EMBELLECEDOR LOGO AP | |
| 3 | 4401043205 | PASAMUROS | | 12 | 4401043210 | FIJACION CUERPO | |
| 4 | 4401043203 | PIÑA ORIENTABLE | | 13 | 4401040069 | LATIGUILLO CODO 1/2" H 1/2" H. L=1400" | |
| 5 | 4401040062 | BOQUILLA NEBULIZADA | | 14 | 4401043614 | LATIGUILLO 1/2" HEMBRA + M-10 MACHO L: | |
| 6 | * 4401040225 | CARTUCHO 3 VIAS DUCHA IGUAZÚ | | 15 | 4401043615 | CONEXIÓN "Y" M-10 HEMBR " | |
| 6 | * 4401040288 | CARTUCHO 3 VIAS DUCHA IGUAZÚ | | 16 | 4401040097 | LATIGUILLO 1/2" H LOCA M-10 M. L=400" | |
| 7 | 4401040224 | CARTUCHO PROGRESIVO DUCHA IGUAZÚ | | 17 | 4401040068 | LATIGUILLO 1/2" H. CODO M-10 M. L=800" | |
| 8 | 4401040204 | JUNTA PLANA | | 18 | 4401040067 | LATIGUILLO 1/2" H 1/2" H. DN 10 L=1200" | |
| 9 | 4401040063 | MONOMANDO DOS FUNCIONES | | 19 | 53874R0400 | TAPA POSTERIOR | |
| 10 | * 4401040065 | EMBELLECEDOR CORIAN 12 M/M. | | 20 | 53874R0100 | CUERPO DUCHA | |

CODIGO 53874

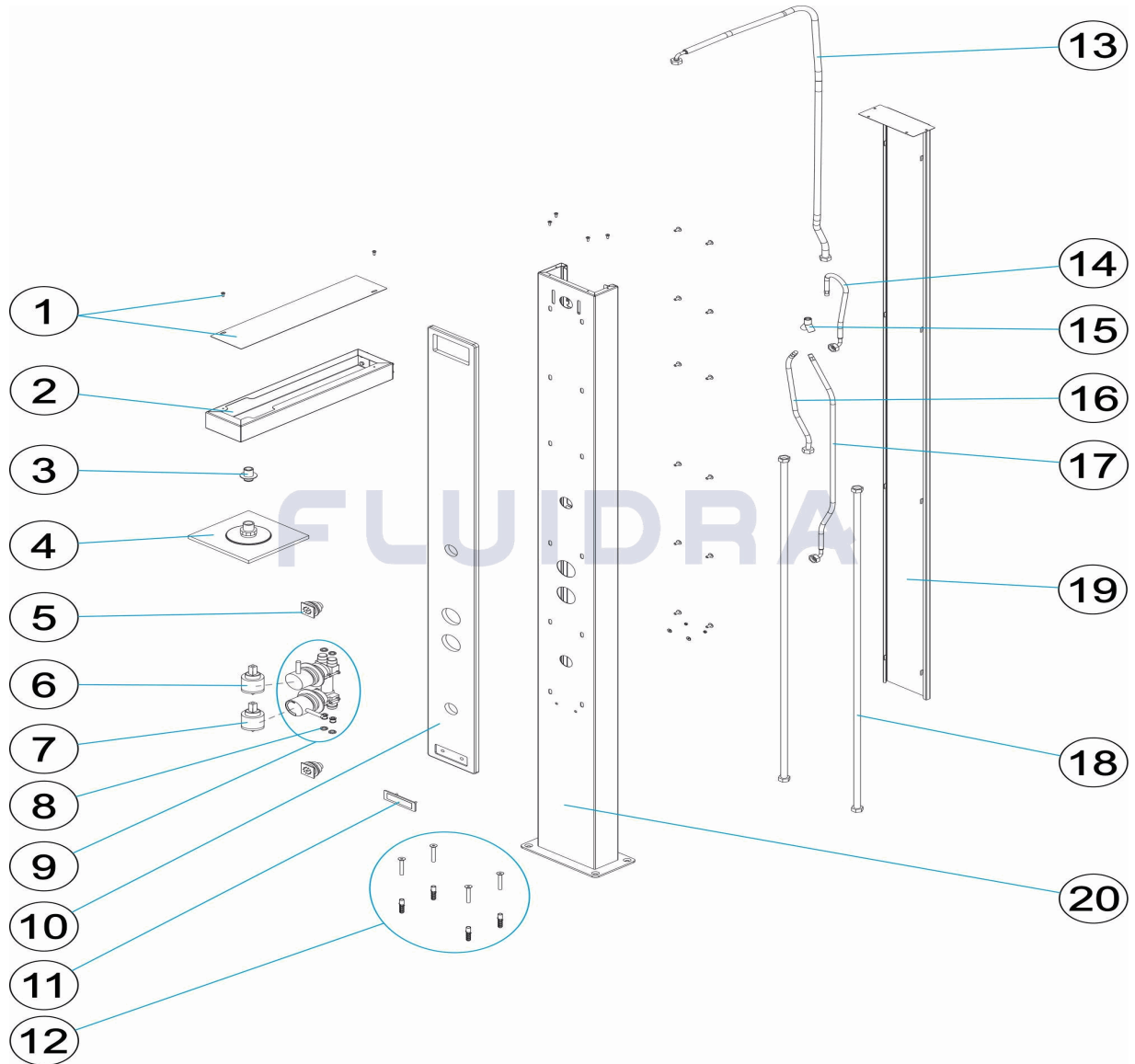
DESCRIPCION: DUCHA IGUAZU

OBSERVACIONES

| POS | CODIGO | OBSERVACIONES |
|-----|--------------|---------------|
| 6 | * 4401040225 | PARA: Ø35 |
| 6 | * 4401040288 | PARA: Ø40 |
| 10 | * 4401040065 | PARA: Ø12 |
| 10 | * 4401040223 | PARA: Ø6 |

CODE 53874

DESCRIPTION: DOUCHE IGUAZU



FRANCAIS

| POS | CODE | DESCRIPTION | QUANTITE | POS | CODE | DESCRIPTION | QUANTITE |
|-----|--------------|---------------------------------|----------|-----|--------------|---------------------------------------|----------|
| 1 | 4401040061 | CACHE BRAS | | 10 | * 4401040223 | ENJOLIVEUR CORIAN 6 M/M. | |
| 2 | 4401040060 | BRAS DE DOUCHE | | 11 | 4401040064 | ENJOLIVEUR ASTRAL | |
| 3 | 4401043205 | TRAVERSÉE DE PAROIS | | 12 | 4401043210 | FIXATION CORP DE DOUCHE | |
| 4 | 4401043203 | POMME DE DOUCHE ORIENTABLE | | 13 | 4401040069 | TUYAU CODO 1/2" H 1/2" H. L=1400" | |
| 5 | 4401040062 | BUSE NÉBULISATION | | 14 | 4401043614 | TUYAU 1/2" FEMELLE + M-10 MÂLE L=400" | |
| 6 | * 4401040225 | CARTOUCHE MONOCOMMANDE 3 FAÇON: | | 15 | 4401043615 | RACCORD "Y" M-10 FEMELL " | |
| 6 | * 4401040288 | CARTOUCHE MONOCOMMANDE 3 FAÇON: | | 16 | 4401040097 | FLEXIBLE 1/2" H LOCA M-10 M. L=400" | |
| 7 | 4401040224 | CARTOUCHE MONOCOMMANDE PROGRE | | 17 | 4401040068 | FLEXIBLE 1/2" H. CODO M-10 M. L=800" | |
| 8 | 4401040204 | JOINT PLAT | | 18 | 4401040067 | FLEXIBLE 1/2" H 1/2" H. DN 10 L=1200" | |
| 9 | 4401040063 | MITIGEUR DEUX FONCTIONS | | 19 | 53874R0400 | COUVERCLE ARRIERE | |
| 10 | * 4401040065 | ENJOLIVEUR CORIAN 12 M/M. | | 20 | 53874R0100 | CORPS DE DOUCHE | |

CODE **53874**

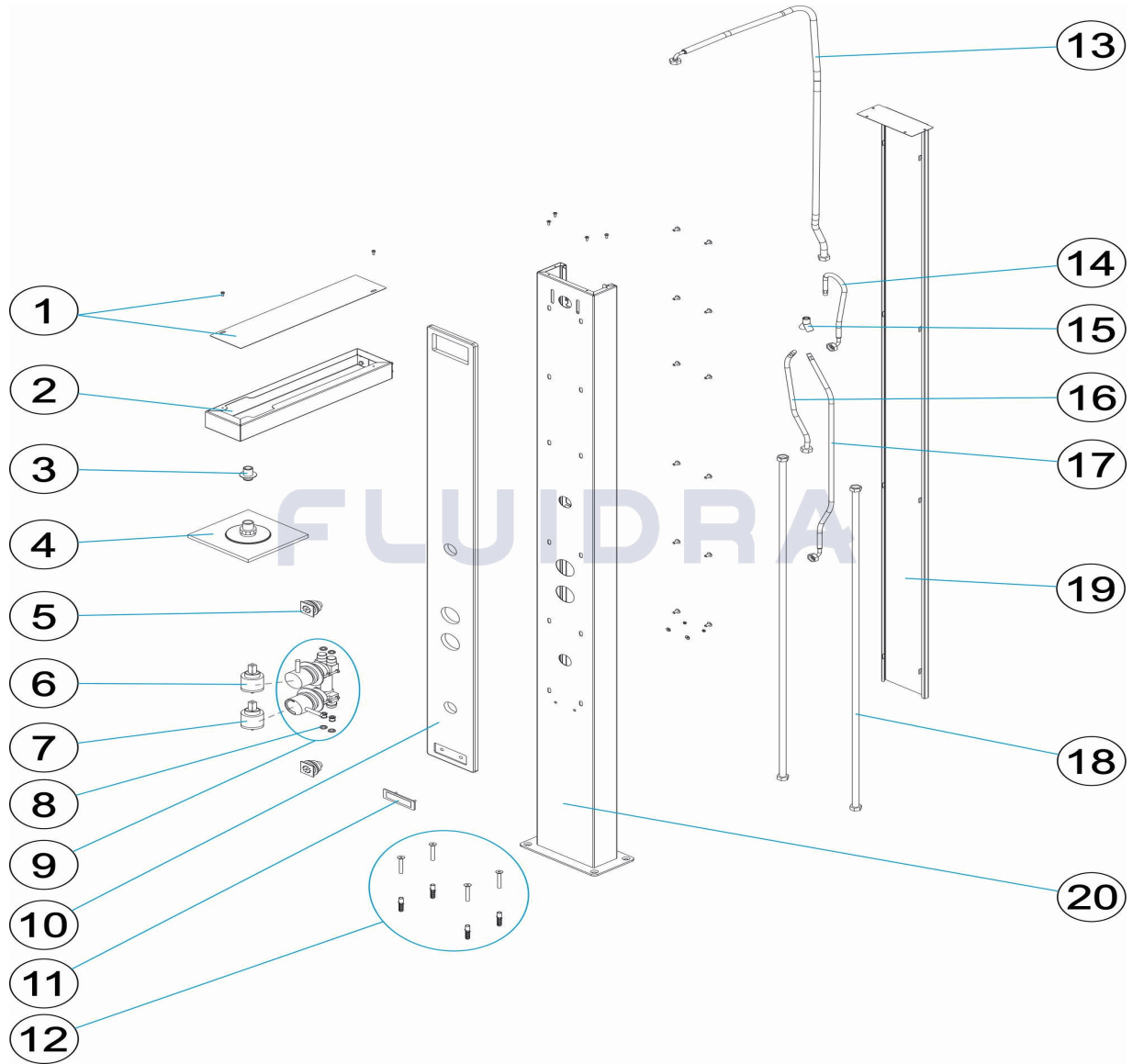
DESCRIPTION: **DOUCHE IGUAZU**

OBSERVATIONS

| POS | CODE | OBSERVATIONS |
|-----|--------------|--------------|
| 6 | * 4401040225 | POUR: Ø35 |
| 6 | * 4401040288 | POUR: Ø40 |
| 10 | * 4401040065 | POUR: Ø12 |
| 10 | * 4401040223 | POUR: Ø6 |

CODE **53874**

DESCRIPTION: **IGUAZU SHOWER**



ENGLISH

| POS | CODE | DESCRIPTION | QUANTITY | POS | CODE | DESCRIPTION | QUANTITY |
|-----|--------------|-----------------------------------|----------|-----|--------------|--|----------|
| 1 | 4401040061 | LID SHOWER ARM | | 10 | * 4401040223 | CORIAN TRIM 6 M/M. | |
| 2 | 4401040060 | SHOWER ARM | | 11 | 4401040064 | LOGO TRIM | |
| 3 | 4401043205 | WALL CONDUIT | | 12 | 4401043210 | SHOWER ARM | |
| 4 | 4401043203 | GUIDABLE SHOWER | | 13 | 4401040069 | CODO 1/2" H 1/2" H. L=1400 FLEXIBLE HOSE | |
| 5 | 4401040062 | NEBULISER NOZZLE | | 14 | 4401043614 | FLEXIBLE HOSE 1/2" FEMALE + M-10 MALE | |
| 6 | * 4401040225 | SINGLE-LEVER CARTRIDGE 3-WAY | | 15 | 4401043615 | Y" CONNECTOR M-10 FEMAL " | |
| 6 | * 4401040288 | SINGLE-LEVER CARTRIDGE 3-WAY | | 16 | 4401040097 | 1/2" H LOCA M-10 M. L=400 CABL " | |
| 7 | 4401040224 | SINGLE-LEVER CARTRIDGE PROGRESSIV | | 17 | 4401040068 | 1/2" H. CODO M-10 M. L=800 CABL " | |
| 8 | 4401040204 | FLAT GASKET | | 18 | 4401040067 | 1/2" H 1/2" H. DN 10 L=1200 CABL " | |
| 9 | 4401040063 | DUAL FUNCTION SINGLE-LEVER | | 19 | 53874R0400 | BACK COVER | |
| 10 | * 4401040065 | CORIAN TRIM 12 M/M. | | 20 | 53874R0100 | SHOWER BODY | |

CODE **53874**

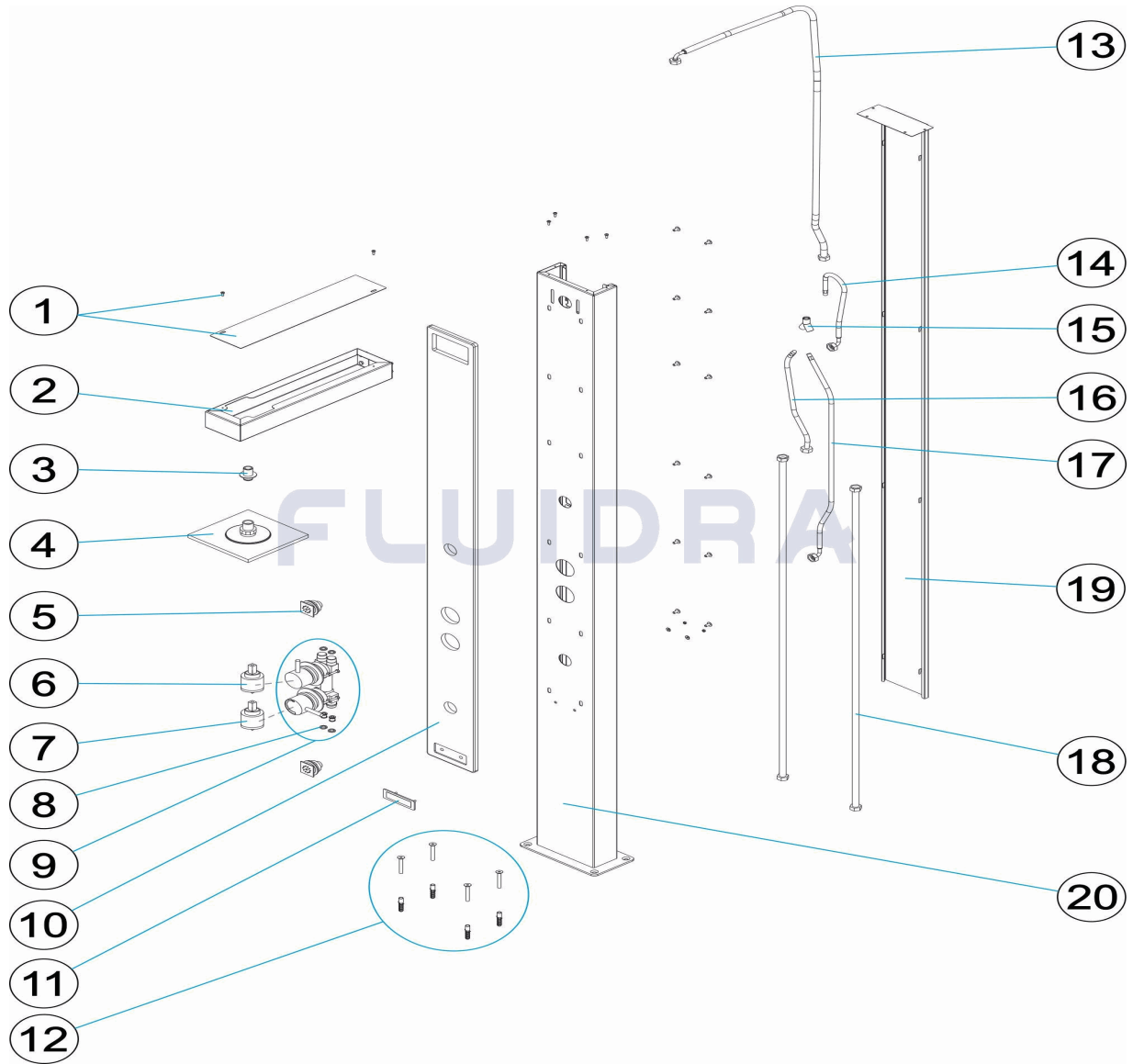
DESCRIPTION: **IGUAZU SHOWER**

OBSERVATIONS

| POS | CODE | OBSERVATIONS |
|-----|--------------|--------------|
| 6 | * 4401040225 | FOR: Ø35 |
| 6 | * 4401040288 | FOR: Ø40 |
| 10 | * 4401040065 | FOR: Ø12 |
| 10 | * 4401040223 | FOR: Ø6 |

CODICE 53874

DESCRIZIONE: DOCCIA IGUAZU



ITALIANO

| POS | CODICE | DESCRIZIONE | QUANTITA' | POS | CODICE | DESCRIZIONE | QUANTITA' |
|-----|--------------|--------------------------------|-----------|-----|--------------|--------------------------------------|-----------|
| 1 | 4401040061 | TAPPO BRACCIO | | 10 | * 4401040223 | PLACCA CORIAN 6 M/M. | |
| 2 | 4401040060 | BRACCIO DOCCIA | | 11 | 4401040064 | FLANGIA ASTRAL | |
| 3 | 4401043205 | PASSANTI A MURO | | 12 | 4401043210 | FISSAGGIO CORPO | |
| 4 | 4401043203 | DIFFUSORE ORIENTABILE | | 13 | 4401040069 | SPINOTTO CODO 1/2" H 1/2" H. L=1400" | |
| 5 | 4401040062 | BOCCHETTA NEBULIZZATA | | 14 | 4401043614 | SPINOTTO 1/2" FEMMINA + M-10 MASCHIO | |
| 6 | * 4401040225 | CARTUCCIA MONOCOMANDO 3 VIE | | 15 | 4401043615 | CONNESSIONE "Y" M-10 FEMMIN " | |
| 6 | * 4401040288 | CARTUCCIA MONOCOMANDO 3 VIE | | 16 | 4401040097 | CAVETTO 1/2" H LOCA M-10 M. L=400" | |
| 7 | 4401040224 | CARTUCCIA MONOCOMANDO PROGRESS | | 17 | 4401040068 | CAVETTO 1/2" H. CODO M-10 M. L=800" | |
| 8 | 4401040204 | GUARNIZIONE PIANA | | 18 | 4401040067 | CAVETTO 1/2" H 1/2" H. DN 10 L=1200" | |
| 9 | 4401040063 | MONOMANDO A DUE FUNZIONI | | 19 | 53874R0400 | COPERCHIO POSTERIORE | |
| 10 | * 4401040065 | PLACCA CORIAN 12 M/M. | | 20 | 53874R0100 | CORPO DOCCIA | |

CODICE **53874**

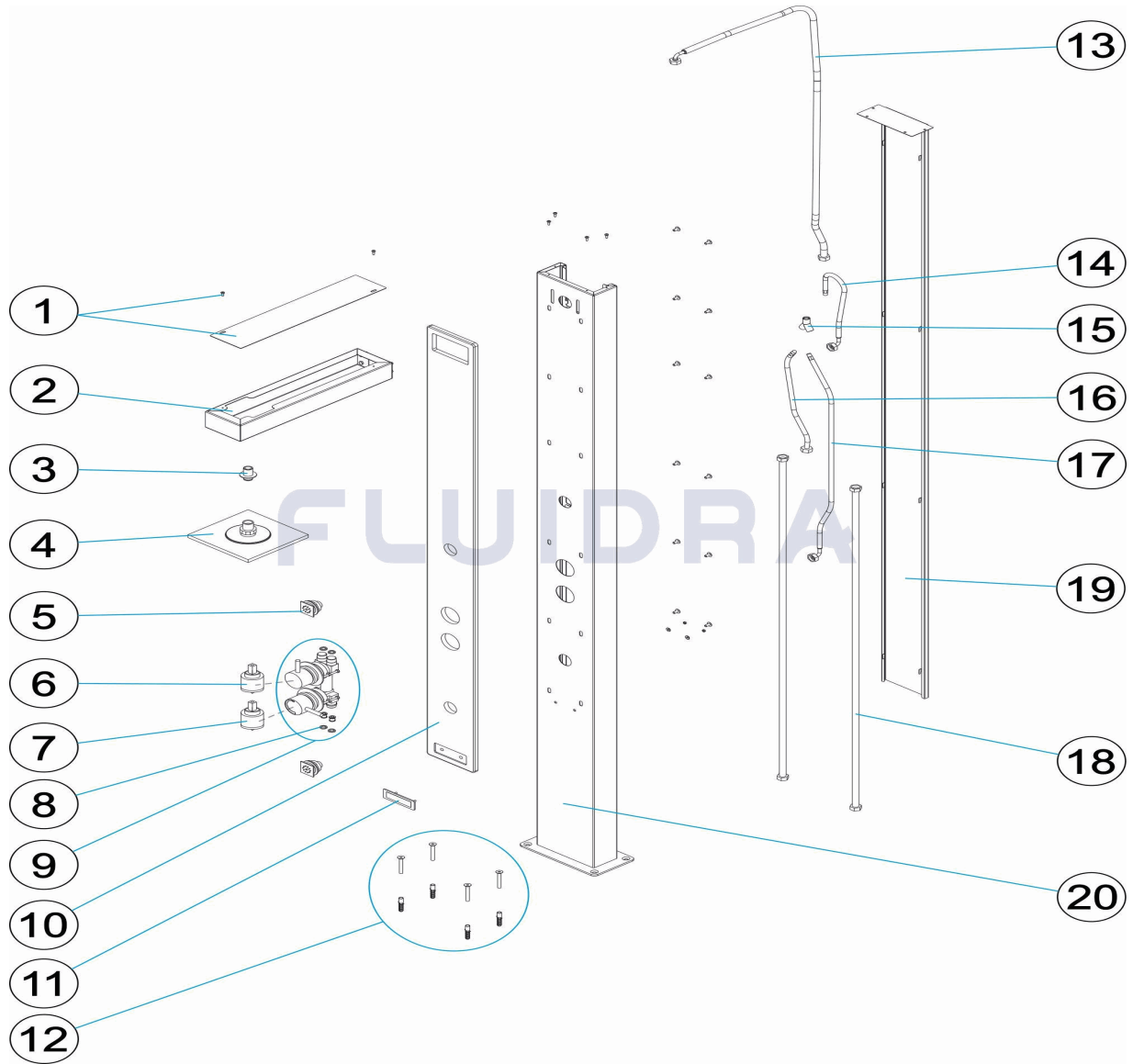
DESCRIZIONE: **DOCCIA IGUAZU**

OSSERVAZIONI

| POS | CODICE | OSSERVAZIONI |
|-----|--------------|--------------|
| 6 | * 4401040225 | PER: Ø35 |
| 6 | * 4401040288 | PER: Ø40 |
| 10 | * 4401040065 | PER: Ø12 |
| 10 | * 4401040223 | PER: Ø6 |

CODE **53874**

BESCHREIBUNG: **DUSCHE IGUAZU**



DEUTSCH

| POS | CODE | BESCHREIBUNG | MENGE | POS | CODE | BESCHREIBUNG | MENGE |
|-----|--------------|----------------------------------|-------|-----|--------------|--------------------------------------|-------|
| 1 | 4401040061 | ABDECKUNG ARM | | 10 | * 4401040223 | BLENDE CORIAN 6 MM | |
| 2 | 4401040060 | DUSCHARM | | 11 | 4401040064 | BLENDE LOGO AP | |
| 3 | 4401043205 | WANDDURCHFÜHRUNG | | 12 | 4401043210 | FIXIERUNG GEHÄUSE | |
| 4 | 4401043203 | DUSCHKOPF ORIENTIERBAR | | 13 | 4401040069 | SCHLAUCHLEITUNG WINKEL 1/2" MUFFE 1, | |
| 5 | 4401040062 | SPÜHDÜSE | | 14 | 4401043614 | SCHLAUCHLEITUNG 1/2" MUFFE UND M-10 | |
| 6 | * 4401040225 | KARTUSCHE 3-WEGE DUSCHE IGUAZÚ | | 15 | 4401043615 | ANSCHLUSSMUFFE "Y" M-10" | |
| 6 | * 4401040288 | KARTUSCHE 3-WEGE DUSCHE IGUAZÚ | | 16 | 4401040097 | SCHLAUCHLEITUNG 1/2" GEWINDEKÖRPEI | |
| 7 | 4401040224 | KARTUSCHE PROGRESSIV DUSCHE IGUA | | 17 | 4401040068 | SCHLAUCHLEITUNG 1/2" MUFFE WINKEL M | |
| 8 | 4401040204 | FLACHDICHTUNG | | 18 | 4401040067 | SCHLAUCHLEITUNG 1/2" MUFFE 1/2" MUFF | |
| 9 | 4401040063 | EINHANDHEBEL 2 FUNKTIONEN | | 19 | 53874R0400 | ABDECKUNG HINTEN | |
| 10 | * 4401040065 | BLENDE CORIAN 12 MM | | 20 | 53874R0100 | DUSCHEINHEIT | |

CODE **53874**

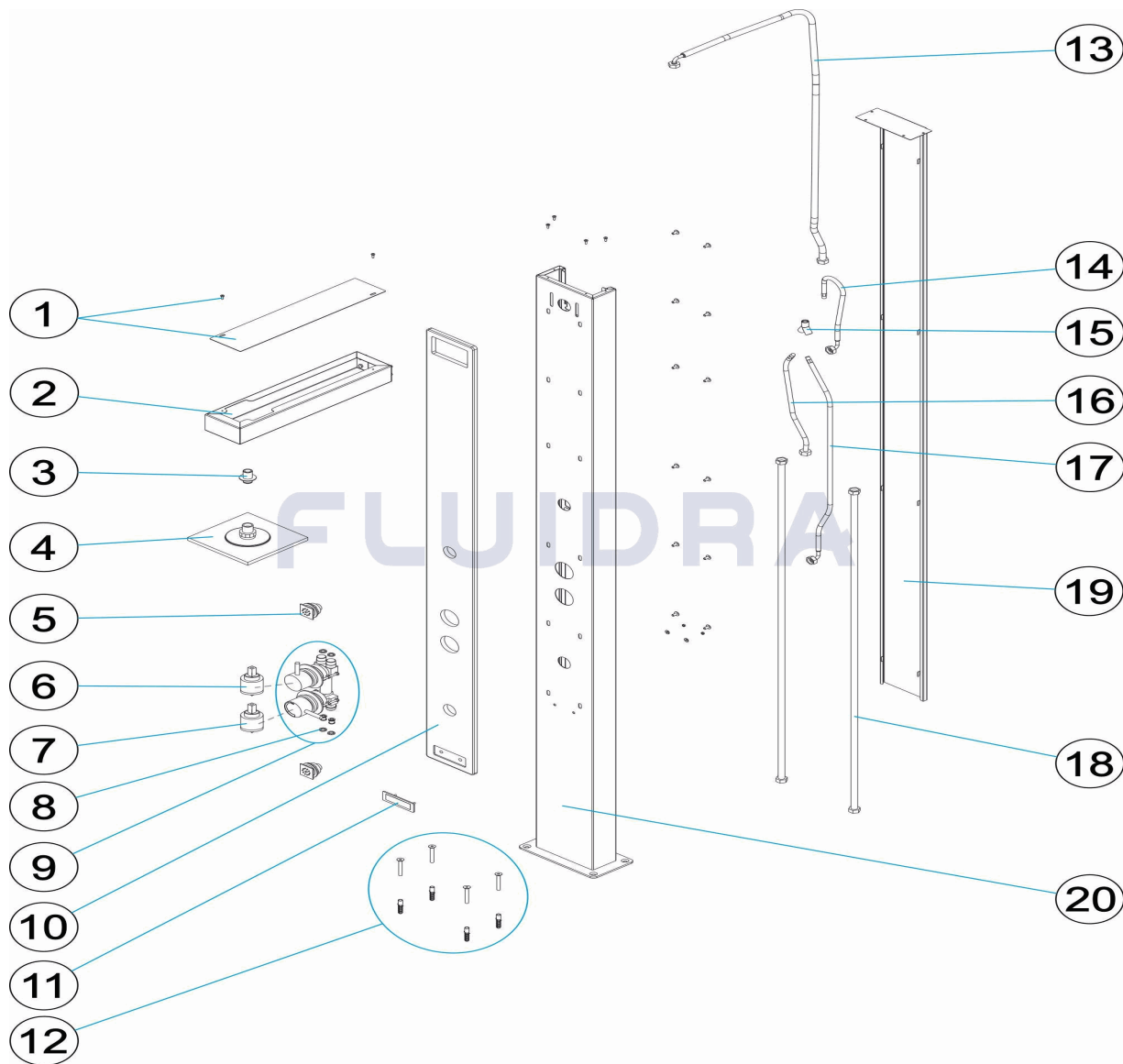
BESCHREIBUNG: **DUSCHE IGUAZU**

HINWEISE

| POS | CODE | HINWEISE |
|-----|--------------|----------|
| 6 | * 4401040225 | FÜR: Ø35 |
| 6 | * 4401040288 | FÜR: Ø40 |
| 10 | * 4401040065 | FÜR: Ø12 |
| 10 | * 4401040223 | FÜR: Ø6 |

CODIGO **53874**

DESCRIÇÃO: **DUCHE IGUAZU**



PORTUGUES

| POS | CODIGO | DESCRIÇÃO | JANTIDADE | POS | CODIGO | DESCRIÇÃO | JANTIDADE |
|-----|--------------|-------------------------------|-----------|-----|--------------|---------------------------------------|-----------|
| 1 | 4401040061 | TAMPA BRAÇO | | 10 | * 4401040223 | EMBELEZADOR CORIAN 6 M/M. | |
| 2 | 4401040060 | BRAÇO CHUVEIRO | | 11 | 4401040064 | EMBELEZADOR ASTRAL | |
| 3 | 4401043205 | PASSAMUROS | | 12 | 4401043210 | FIXAÇÃO CORPO | |
| 4 | 4401043203 | PINHA ORIENTÁVEL | | 13 | 4401040069 | MANGA CODO 1/2" H 1/2" H. L=1400" | |
| 5 | 4401040062 | BOQUILHA NEBULIZADA | | 14 | 4401043614 | MANGA 1/2" FÊMEA + M-10 MACHO L = 400 | |
| 6 | * 4401040225 | CARTUCHO MONOCOMANDO 3 VIAS | | 15 | 4401043615 | LIGAÇÃO "Y" M-10 FÊMEA " | |
| 6 | * 4401040288 | CARTUCHO MONOCOMANDO 3 VIAS | | 16 | 4401040097 | MANGA 1/2" H LOCA M-10 M. L=400" | |
| 7 | 4401040224 | CARTUCHO MONOCOMANDO PROGRESS | | 17 | 4401040068 | MANGA 1/2" H. CODO M-10 M. L=800" | |
| 8 | 4401040204 | JUNTA PLANA | | 18 | 4401040067 | MANGA 1/2" H 1/2" H. DN 10 L=1200" | |
| 9 | 4401040063 | MONO-COMANDO DUAS FUNÇÕES | | 19 | 53874R0400 | TAMPA POSTERIOR | |
| 10 | * 4401040065 | EMBELEZADOR CORIAN 12 M/M. | | 20 | 53874R0100 | CORPO DE CHUVEIRO | |

CODIGO 53874

DESCRIÇÃO: DUCHE IGUAZU

OBSERVAÇÕES

| POS | CODIGO | OBSERVAÇÕES |
|-----|--------------|-------------|
| 6 | * 4401040225 | PARA: Ø35 |
| 6 | * 4401040288 | PARA: Ø40 |
| 10 | * 4401040065 | PARA: Ø12 |
| 10 | * 4401040223 | PARA: Ø6 |