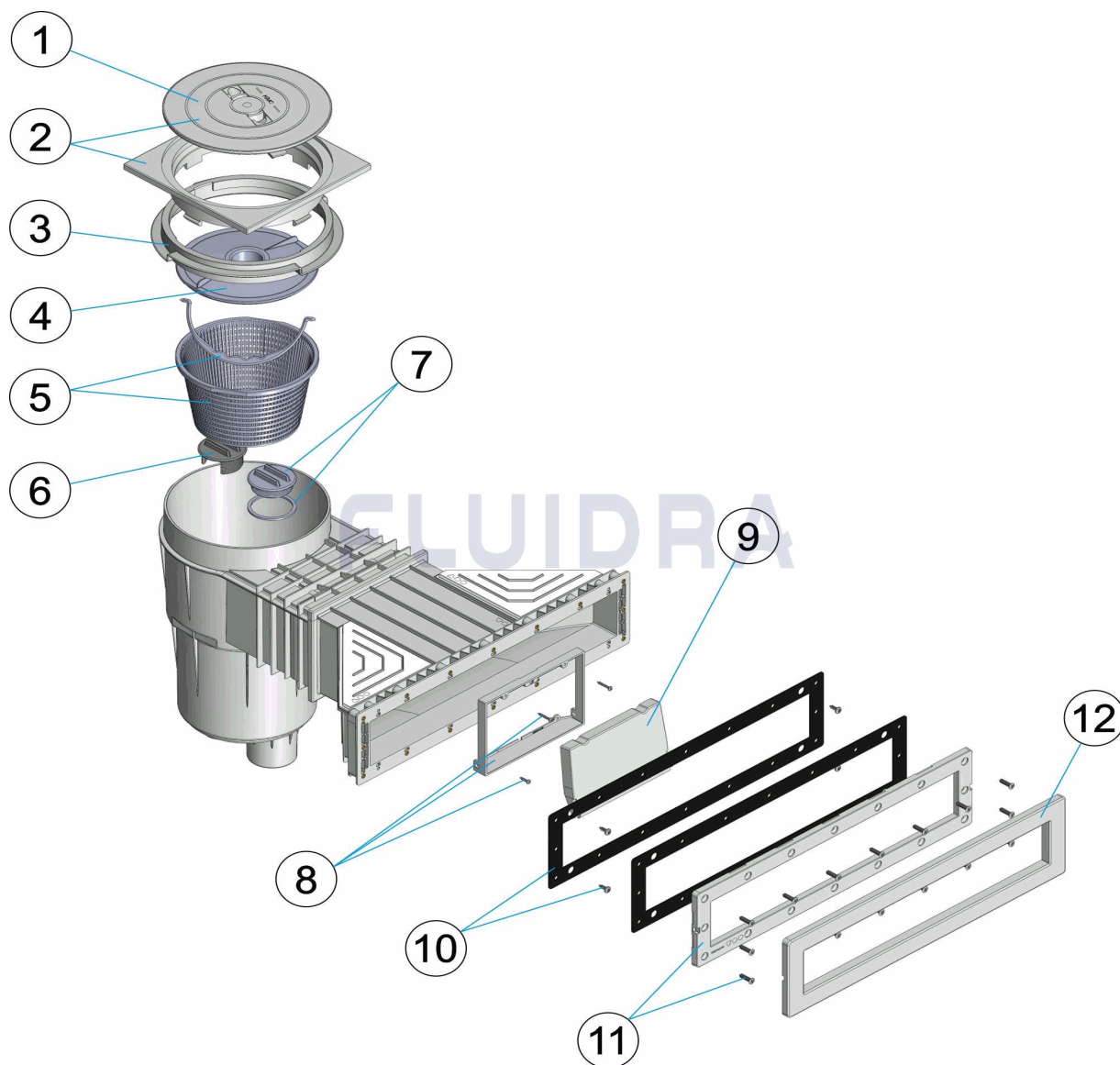


**CODIGO 56176, 56176CL090, 56176CL129, 56176CL144, 56299, 56299CL090, 56299CL129, 56299CL144**

**DESCRIPCION: SKIMMER 17,5 L. BOCA 495 X 80 CON/SIN INSERTOS**



**ESPAÑOL**

POS	CODIGO	DESCRIPCION	CANTIDAD	POS	CODIGO	DESCRIPCION	CANTIDAD
1	* 4402010509	TAPA SKIMMER		7	4402010503	TAPON CON JUNTA	
1	* 4402010064	TAPA SKIMMER		8	* 4402010508	MARCO COMPUERTA SKIMMER	
1	* 4402010066	TAPA SKIMMER		8	* 4402010119	MARCO COMPUERTA SKIMMER	
1	* 4402010041	TAPA SKIMMER		8	* 4402010120	MARCO COMPUERTA SKIMMER	
2	* 4402010510	MARCO CUADRADO Y TAPA		8	* 4402010042	MARCO COMPUERTA SKIMMER	
2	* 05280-0700CL090	MARCO CUADRADO Y TAPA		9	* 4402010501	COMPUERTA SKIMMER CON CLIP	
2	* 05280-0700CL129	MARCO CUADRADO Y TAPA		9	* 4402010076	COMPUERTA SKIMMER CON CLIP	
2	* 05280-0700CL144	MARCO CUADRADO Y TAPA		9	* 4402010079	COMPUERTA SKIMMER CON CLIP	
3	* 4402010506	ANILLO DISTANCIADOR SKIMMER		9	* 4402010080	COMPUERTA SKIMMER CON CLIP	
3	* 4402010073	ANILLO DISTANCIADOR SKIMMER		10	4402010021	JUNTA ADHESIVA BOCA 495 X 80	
3	* 4402010075	ANILLO DISTANCIADOR SKIMMER		11	* 4402010022	BRIDA BOCA 495 X 80 CON INSERTOS	
3	* 4402010039	ANILLO DISTANCIADOR 17,5L		11	* 4402010024	BRIDA BOCA 495 X 80 SIN INSERTOS	

**\* NOTA OBSERVACIONES**

**CODIGO**                    **56176, 56176CL090, 56176CL129, 56176CL144, 56299, 56299CL090, 56299CL129, 56299CL144**

**DESCRIPCION: SKIMMER 17,5 L. BOCA 495 X 80 CON/SIN INSERTOS**

4	4402010505	TAPA CESTO SKIMMER	11	* 4402010136	BRIDA BOCA 495 X 80 CON INSERTOS
5	4402010504	CESTO SKIMMER 17,5 LTS.	11	* 4402010140	BRIDA BOCA 495 X 80 SIN INSERTOS
6	4402010502	TAPON REGULADOR	11	* 4402010137	BRIDA BOCA 495 X 80 CON INSERTOS
11	* 4402010141	BRIDA BOCA 495 X 80 SIN INSERTOS	12	* 4402010138	EMBELLECEDOR BOCA 495 X 80
11	* 4402010089	BRIDA BOCA 495 X 80 CON INSERTOS	12	* 4402010139	EMBELLECEDOR BOCA 495 X 80
11	* 4402010142	BRIDA BOCA 495 X 80 SIN INSERTOS	12	* 4402010087	EMBELLECEDOR BOCA 495 X 80
12	* 4402010023	EMBELLECEDOR BOCA 495 X 80			

**CODIGO 56176, 56176CL090, 56176CL129, 56176CL144, 56299, 56299CL090, 56299CL129, 56299CL144**

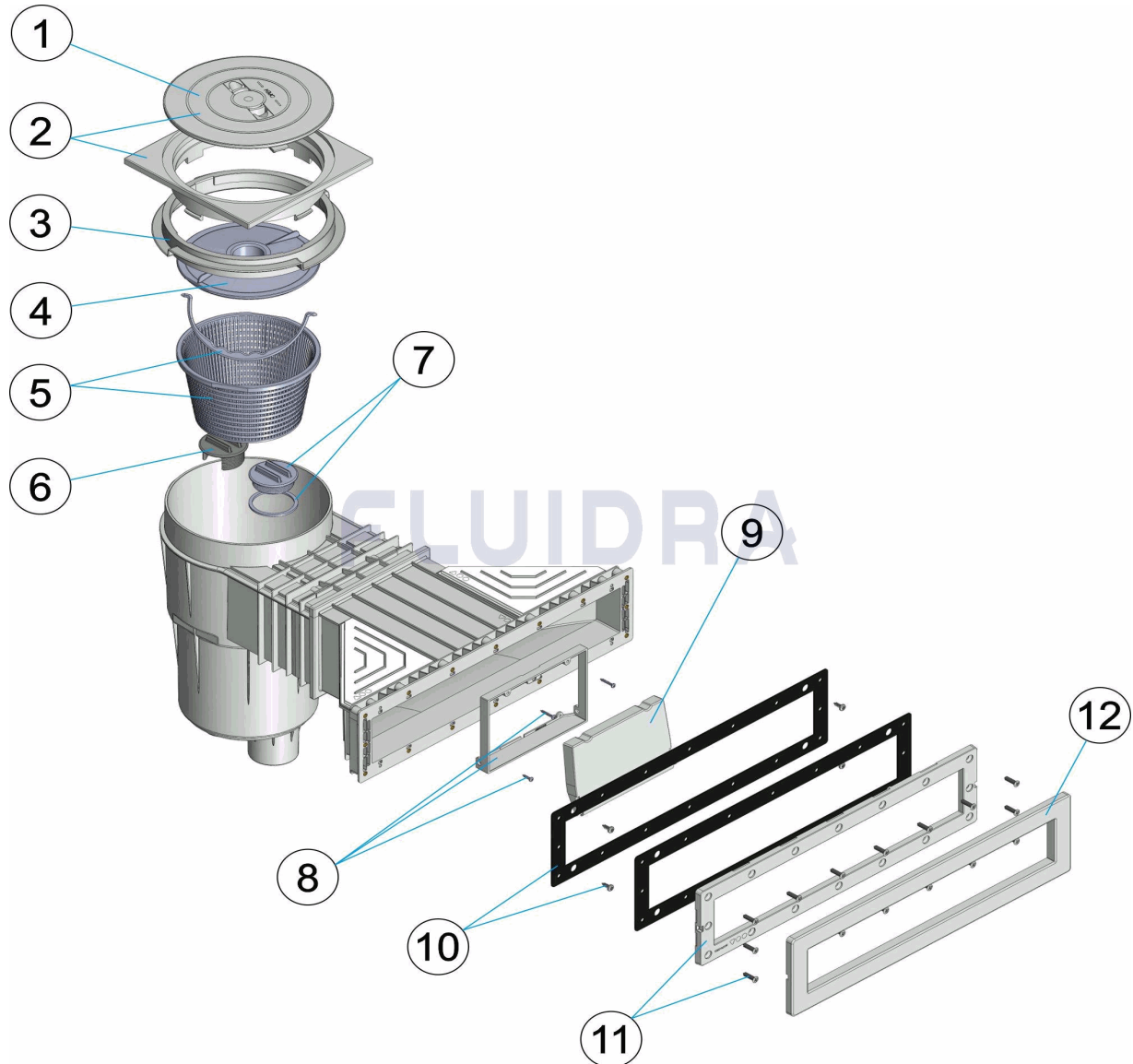
**DESCRIPCION: SKIMMER 17,5 L. BOCA 495 X 80 CON/SIN INSERTOS**

## OBSERVACIONES

POS	CODIGO	OBSERVACIONES
1	* 4402010509	PARA: 56176, 56299 WHITE
1	* 4402010064	PARA: 56176CL090, 56299CL090 BEIGE
1	* 4402010066	PARA: 56176CL129, 56299CL129 GREY
1	* 4402010041	PARA: 56176CL144, 56299CL144 ANTHRACITE
2	* 4402010510	PARA: 56176, 56299 WHITE
2	* 05280-0700CL090	PARA: 56176CL090, 56299CL090 BEIGE
2	* 05280-0700CL129	PARA: 56176CL129, 56299CL129 GREY
2	* 05280-0700CL144	PARA: 56176CL144, 56299CL144 ANTHRACITE
3	* 4402010506	PARA: 56176, 56299 WHITE
3	* 4402010073	PARA: 56176CL090, 56299CL090 BEIGE
3	* 4402010075	PARA: 56176CL129, 56299CL129 GREY
3	* 4402010039	PARA: 56176CL144, 56299CL144 ANTHRACITE
8	* 4402010508	PARA: 56176, 56299 WHITE
8	* 4402010119	PARA: 56176CL090, 56299CL090 BEIGE
8	* 4402010120	PARA: 56176CL129, 56299CL129 GREY
8	* 4402010042	PARA: 56176CL144, 56299CL144 ANTHRACITE
9	* 4402010501	PARA: 56176, 56299 WHITE
9	* 4402010076	PARA: 56176CL090, 56299CL090 BEIGE
9	* 4402010079	PARA: 56176CL129, 56299CL129 GREY
9	* 4402010080	PARA: 56176, 56299 ANTHRACITE
11	* 4402010022	PARA: 56176 WHITE
11	* 4402010024	PARA: 56299 WHITE
11	* 4402010136	PARA: 56176CL090 BEIGE
11	* 4402010140	PARA: 56299CL090 BEIGE
11	* 4402010137	PARA: 56176CL129 GREY
11	* 4402010141	PARA: 56299CL129 GREY
11	* 4402010089	PARA: 56176CL144 ANTHRACITE
11	* 4402010142	PARA: 56299CL144 ANTHRACITE
12	* 4402010023	PARA: 56176, 56299 WHITE
12	* 4402010138	PARA: 56176CL090, 56299CL090 BEIGE
12	* 4402010139	PARA: 56176CL129, 56299CL129 GREY
12	* 4402010087	PARA: 56176CL144, 56299CL144 ANTHRACITE

CODE 56176, 56176CL090, 56176CL129, 56176CL144, 56299, 56299CL090, 56299CL129, 56299CL144

DESCRIPTION: SKIMMER 17,5 L. OUVERTURE 495 X 80 AVEC/SANS INSERTS



FRANCAIS

POS	CODE	DESCRIPTION	QUANTITE	POS	CODE	DESCRIPTION	QUANTITE
1	* 4402010509	COUVERCLE ROND DE SKIMMER		7	4402010503	BOUCHON SKIMMER AVEC JOINT	
1	* 4402010064	COUVERCLE ROND DE SKIMMER		8	* 4402010508	CADRE VOLET SKIMMER	
1	* 4402010066	COUVERCLE ROND DE SKIMMER		8	* 4402010119	CADRE VOLET SKIMMER	
1	* 4402010041	COUVERCLE ROND DE SKIMMER		8	* 4402010120	CADRE VOLET SKIMMER	
2	* 4402010510	CADRE ET COUVERCLE ROND		8	* 4402010042	CADRE VOLET SKIMMER	
2	* 05280-0700CL090	CADRE ET COUVERCLE ROND		9	* 4402010501	VOLET DE SKIMMER	
2	* 05280-0700CL129	CADRE ET COUVERCLE ROND		9	* 4402010076	VOLET DE SKIMMER	
2	* 05280-0700CL144	CADRE ET COUVERCLE ROND		9	* 4402010079	VOLET DE SKIMMER	
3	* 4402010506	CADRE REHAUSSE COUVERCLE		9	* 4402010080	VOLET DE SKIMMER	
3	* 4402010073	CADRE REHAUSSE COUVERCLE		10	4402010021	JOINT ADHÉSIF 495 X 80	
3	* 4402010075	CADRE REHAUSSE COUVERCLE		11	* 4402010022	BRIDE 495 X 80 AVEC INSERTS	
3	* 4402010039	CADRE REHAUSSE COUVERCLE		11	* 4402010024	BRIDE 495 X 80 SANS INSERTS	

CODE **56176, 56176CL090, 56176CL129, 56176CL144, 56299, 56299CL090, 56299CL129, 56299CL144**

DESCRIPTION: **SKIMMER 17,5 L. OUVERTURE 495 X 80 AVEC/SANS INSERTS**

4	4402010505	COUVERCLE PANIER SKIMMER	11	* 4402010136	BRIDE 495 X 80 AVEC INSERTS
5	4402010504	PANIER SKIMMER 17,5 LTS	11	* 4402010140	BRIDE 495 X 80 SANS INSERTS
6	4402010502	BOUCHON REGULATEUR	11	* 4402010137	BRIDE 495 X 80 AVEC INSERTS
11	* 4402010141	BRIDE 495 X 80 SANS INSERTS	12	* 4402010138	ENJOLIVEUR 495 X 80
11	* 4402010089	BRIDE 495 X 80 AVEC INSERTS	12	* 4402010139	ENJOLIVEUR 495 X 80
11	* 4402010142	BRIDE 495 X 80 SANS INSERTS	12	* 4402010087	ENJOLIVEUR 495 X 80
12	* 4402010023	ENJOLIVEUR 495 X 80			

CODE **56176, 56176CL090, 56176CL129, 56176CL144, 56299, 56299CL090, 56299CL129, 56299CL144**

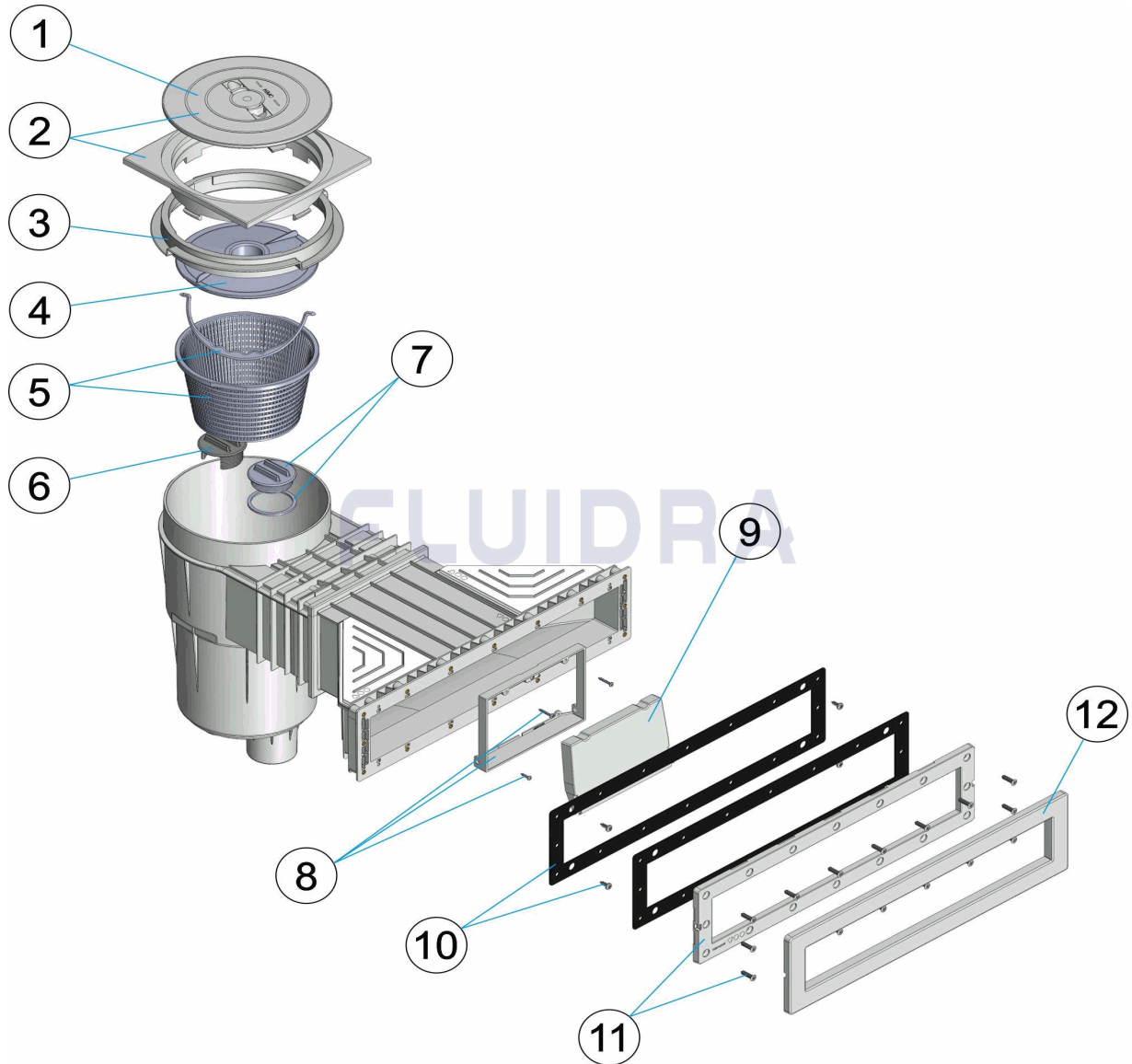
DESCRIPTION: **SKIMMER 17,5 L. OUVERTURE 495 X 80 AVEC/SANS INSERTS**

## OBSERVATIONS

POS	CODE	OBSERVATIONS
1	* 4402010509	POUR: 56176, 56299 WHITE
1	* 4402010064	POUR: 56176CL090, 56299CL090 BEIGE
1	* 4402010066	POUR: 56176CL129, 56299CL129 GREY
1	* 4402010041	POUR: 56176CL144, 56299CL144 ANTHRACITE
2	* 4402010510	POUR: 56176, 56299 WHITE
2	* 05280-0700CL090	POUR: 56176CL090, 56299CL090 BEIGE
2	* 05280-0700CL129	POUR: 56176CL129, 56299CL129 GREY
2	* 05280-0700CL144	POUR: 56176CL144, 56299CL144 ANTHRACITE
3	* 4402010506	POUR: 56176, 56299 WHITE
3	* 4402010073	POUR: 56176CL090, 56299CL090 BEIGE
3	* 4402010075	POUR: 56176CL129, 56299CL129 GREY
3	* 4402010039	POUR: 56176CL144, 56299CL144 ANTHRACITE
8	* 4402010508	POUR: 56176, 56299 WHITE
8	* 4402010119	POUR: 56176CL090, 56299CL090 BEIGE
8	* 4402010120	POUR: 56176CL129, 56299CL129 GREY
8	* 4402010042	POUR: 56176CL144, 56299CL144 ANTHRACITE
9	* 4402010501	POUR: 56176, 56299 WHITE
9	* 4402010076	POUR: 56176CL090, 56299CL090 BEIGE
9	* 4402010079	POUR: 56176CL129, 56299CL129 GREY
9	* 4402010080	POUR: 56176, 56299 ANTHRACITE
11	* 4402010022	POUR: 56176 WHITE
11	* 4402010024	POUR: 56299 WHITE
11	* 4402010136	POUR: 56176CL090 BEIGE
11	* 4402010140	POUR: 56299CL090 BEIGE
11	* 4402010137	POUR: 56176CL129 GREY
11	* 4402010141	POUR: 56299CL129 GREY
11	* 4402010089	POUR: 56176CL144 ANTHRACITE
11	* 4402010142	POUR: 56299CL144 ANTHRACITE
12	* 4402010023	POUR: 56176, 56299 WHITE
12	* 4402010138	POUR: 56176CL090, 56299CL090 BEIGE
12	* 4402010139	POUR: 56176CL129, 56299CL129 GREY
12	* 4402010087	POUR: 56176CL144, 56299CL144 ANTHRACITE

CODE **56176, 56176CL090, 56176CL129, 56176CL144, 56299, 56299CL090, 56299CL129, 56299CL144**

DESCRIPTION: **SKIMMER 17.5 L. 495 X 80 APERTURE WITH/WITHOUT INSERTS**



**ENGLISH**

POS	CODE	DESCRIPTION	QUANTITY	POS	CODE	DESCRIPTION	QUANTITY
1	* 4402010509	SKIMMER LID		7	4402010503	BLANKING PLUG AND 'O' RING	
1	* 4402010064	SKIMMER LID		8	* 4402010508	FLAP FRAME	
1	* 4402010066	SKIMMER LID		8	* 4402010119	FLAP FRAME	
1	* 4402010041	SKIMMER LID		8	* 4402010120	FLAP FRAME	
2	* 4402010510	SQUARE RIM AND LID		8	* 4402010042	FLAP FRAME	
2	* 05280-0700CL090	SQUARE RIM AND LID		9	* 4402010501	SKIMMER FLAP	
2	* 05280-0700CL129	SQUARE RIM AND LID		9	* 4402010076	SKIMMER FLAP	
2	* 05280-0700CL144	SQUARE RIM AND LID		9	* 4402010079	SKIMMER FLAP	
3	* 4402010506	COLLAR EXTENSION RING		9	* 4402010080	SKIMMER FLAP	
3	* 4402010073	COLLAR EXTENSION RING		10	4402010021	ADHESIVE GASKET 495 X 80 APERTURE	
3	* 4402010075	COLLAR EXTENSION RING		11	* 4402010022	FLANGE 495 X 80 APERTURE WITH INSERT	
3	* 4402010039	COLLAR EXTENSION RING		11	* 4402010024	FLANGE 495 X 80 APERTURE WITHOUT INS	

CODE **56176, 56176CL090, 56176CL129, 56176CL144, 56299, 56299CL090, 56299CL129, 56299CL144**

DESCRIPTION: **SKIMMER 17.5 L. 495 X 80 APERTURE WITH/WITHOUT INSERTS**

4	4402010505	VACUUM PLATE	11	* 4402010136	FLANGE 495 X 80 APERTURE WITH INSERT
5	4402010504	BASKET 17,5 LITRES	11	* 4402010140	FLANGE 495 X 80 APERTURE WITHOUT INS
6	4402010502	REGULATING PLUG	11	* 4402010137	FLANGE 495 X 80 APERTURE WITH INSERT
11	* 4402010141	FLANGE 495 X 80 APERTURE WITHOUT IN:	12	* 4402010138	PLATE 495 X 80 APERTURE
11	* 4402010089	FLANGE 495 X 80 APERTURE WITH INSER	12	* 4402010139	PLATE 495 X 80 APERTURE
11	* 4402010142	FLANGE 495 X 80 APERTURE WITHOUT IN:	12	* 4402010087	PLATE 495 X 80 APERTURE
12	* 4402010023	PLATE 495 X 80 APERTURE			



CODE **56176, 56176CL090, 56176CL129, 56176CL144, 56299, 56299CL090, 56299CL129, 56299CL144**

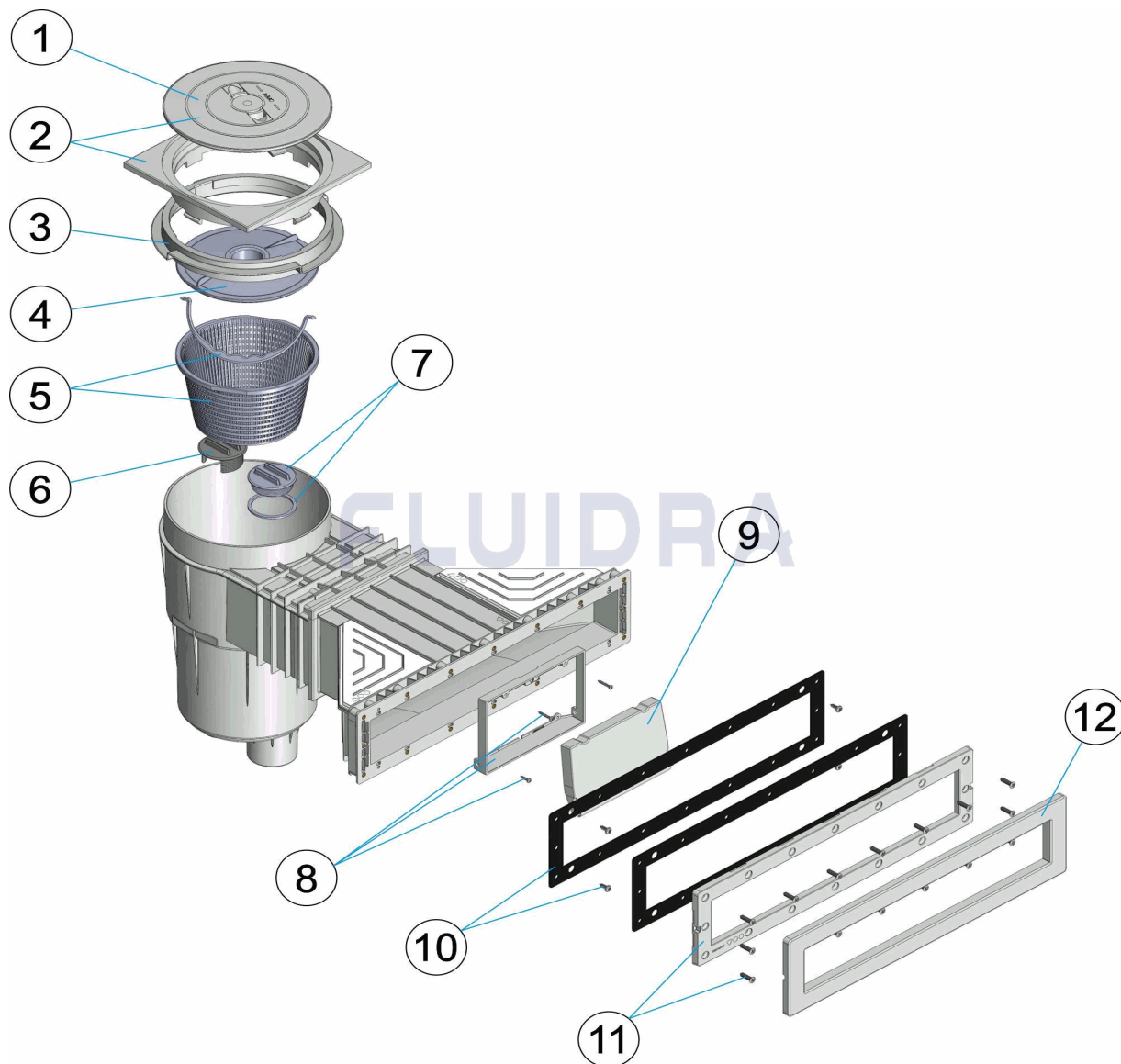
DESCRIPTION: **SKIMMER 17.5 L. 495 X 80 APERTURE WITH/WITHOUT INSERTS**

## OBSERVATIONS

POS	CODE	OBSERVATIONS
1	* 4402010509	FOR: 56176, 56299 WHITE
1	* 4402010064	FOR: 56176CL090, 56299CL090 BEIGE
1	* 4402010066	FOR: 56176CL129, 56299CL129 GREY
1	* 4402010041	FOR: 56176CL144, 56299CL144 ANTHRACITE
2	* 4402010510	FOR: 56176, 56299 WHITE
2	* 05280-0700CL090	FOR: 56176CL090, 56299CL090 BEIGE
2	* 05280-0700CL129	FOR: 56176CL129, 56299CL129 GREY
2	* 05280-0700CL144	FOR: 56176CL144, 56299CL144 ANTHRACITE
3	* 4402010506	FOR: 56176, 56299 WHITE
3	* 4402010073	FOR: 56176CL090, 56299CL090 BEIGE
3	* 4402010075	FOR: 56176CL129, 56299CL129 GREY
3	* 4402010039	FOR: 56176CL144, 56299CL144 ANTHRACITE
8	* 4402010508	FOR: 56176, 56299 WHITE
8	* 4402010119	FOR: 56176CL090, 56299CL090 BEIGE
8	* 4402010120	FOR: 56176CL129, 56299CL129 GREY
8	* 4402010042	FOR: 56176CL144, 56299CL144 ANTHRACITE
9	* 4402010501	FOR: 56176, 56299 WHITE
9	* 4402010076	FOR: 56176CL090, 56299CL090 BEIGE
9	* 4402010079	FOR: 56176CL129, 56299CL129 GREY
9	* 4402010080	FOR: 56176, 56299 ANTHRACITE
11	* 4402010022	FOR: 56176 WHITE
11	* 4402010024	FOR: 56299 WHITE
11	* 4402010136	FOR: 56176CL090 BEIGE
11	* 4402010140	FOR: 56299CL090 BEIGE
11	* 4402010137	FOR: 56176CL129 GREY
11	* 4402010141	FOR: 56299CL129 GREY
11	* 4402010089	FOR: 56176CL144 ANTHRACITE
11	* 4402010142	FOR: 56299CL144 ANTHRACITE
12	* 4402010023	FOR: 56176, 56299 WHITE
12	* 4402010138	FOR: 56176CL090, 56299CL090 BEIGE
12	* 4402010139	FOR: 56176CL129, 56299CL129 GREY
12	* 4402010087	FOR: 56176CL144, 56299CL144 ANTHRACITE

CODICE 56176, 56176CL090, 56176CL129, 56176CL144, 56299, 56299CL090, 56299CL129, 56299CL144

DESCRIZIONE: SKIMMER 17,5 L. 495 X 80 CON/SENZA INSERTI



ITALIANO

POS	CODICE	DESCRIZIONE	QUANTITA'	POS	CODICE	DESCRIZIONE	QUANTITA'
1	* 4402010509	COPERCHIO SKIMMER		7	4402010503	TAPPO CON GUARNIZIONE	
1	* 4402010064	COPERCHIO SKIMMER		8	* 4402010508	CORNICE BATTENTE SKIMMER	
1	* 4402010066	COPERCHIO SKIMMER		8	* 4402010119	CORNICE BATTENTE SKIMMER	
1	* 4402010041	COPERCHIO SKIMMER		8	* 4402010120	CORNICE BATTENTE SKIMMER	
2	* 4402010510	FLANGIA QUADRATA E COPERCHIO		8	* 4402010042	CORNICE BATTENTE SKIMMER	
2	* 05280-0700CL090	FLANGIA QUADRATA E COPERCHIO		9	* 4402010501	BATTENTE SKIMMER CON CLIP	
2	* 05280-0700CL129	FLANGIA QUADRATA E COPERCHIO		9	* 4402010076	BATTENTE SKIMMER CON CLIP	
2	* 05280-0700CL144	FLANGIA QUADRATA E COPERCHIO		9	* 4402010079	BATTENTE SKIMMER CON CLIP	
3	* 4402010506	ANELLO DISTANZIATORE SKIMMER		9	* 4402010080	BATTENTE SKIMMER CON CLIP	
3	* 4402010073	ANELLO DISTANZIATORE SKIMMER		10	4402010021	GUARNIZIONE ADESIVA 495 X 80	
3	* 4402010075	ANELLO DISTANZIATORE SKIMMER		11	* 4402010022	FLANGIA 495 X 80 CON INSERTI	
3	* 4402010039	ANELLO DISTANZIATORE SKIMMER		11	* 4402010024	FLANGIA 495 X 80 SENZA INSERTI	

\* SI FACCIA RIFERIMENTO AL FOGLIO DELLE OSSERVAZIONI

**CODICE**                    **56176, 56176CL090, 56176CL129, 56176CL144, 56299, 56299CL090, 56299CL129, 56299CL144**

**DESCRIZIONE: SKIMMER 17,5 L. 495 X 80 CON/SENZA INSERTI**

4	4402010505	COPERCHIO CESTELLO SKIMMER	11	* 4402010136	FLANGIA 495 X 80 CON INSERTI
5	4402010504	CESTELLO SKIMMER DA 17,5 LITRI	11	* 4402010140	FLANGIA 495 X 80 SENZA INSERTI
6	4402010502	TAPPO DI REGOLAZIONE	11	* 4402010137	FLANGIA 495 X 80 CON INSERTI
11	* 4402010141	FLANGIA 495 X 80 SENZA INSERTI	12	* 4402010138	FLANGIA DI RIFINITURA 495 X 80
11	* 4402010089	FLANGIA 495 X 80 CON INSERTI	12	* 4402010139	FLANGIA DI RIFINITURA 495 X 80
11	* 4402010142	FLANGIA 495 X 80 SENZA INSERTI	12	* 4402010087	FLANGIA DI RIFINITURA 495 X 80
12	* 4402010023	FLANGIA DI RIFINITURA 495 X 80			

**CODICE**                    **56176, 56176CL090, 56176CL129, 56176CL144, 56299, 56299CL090, 56299CL129, 56299CL144**

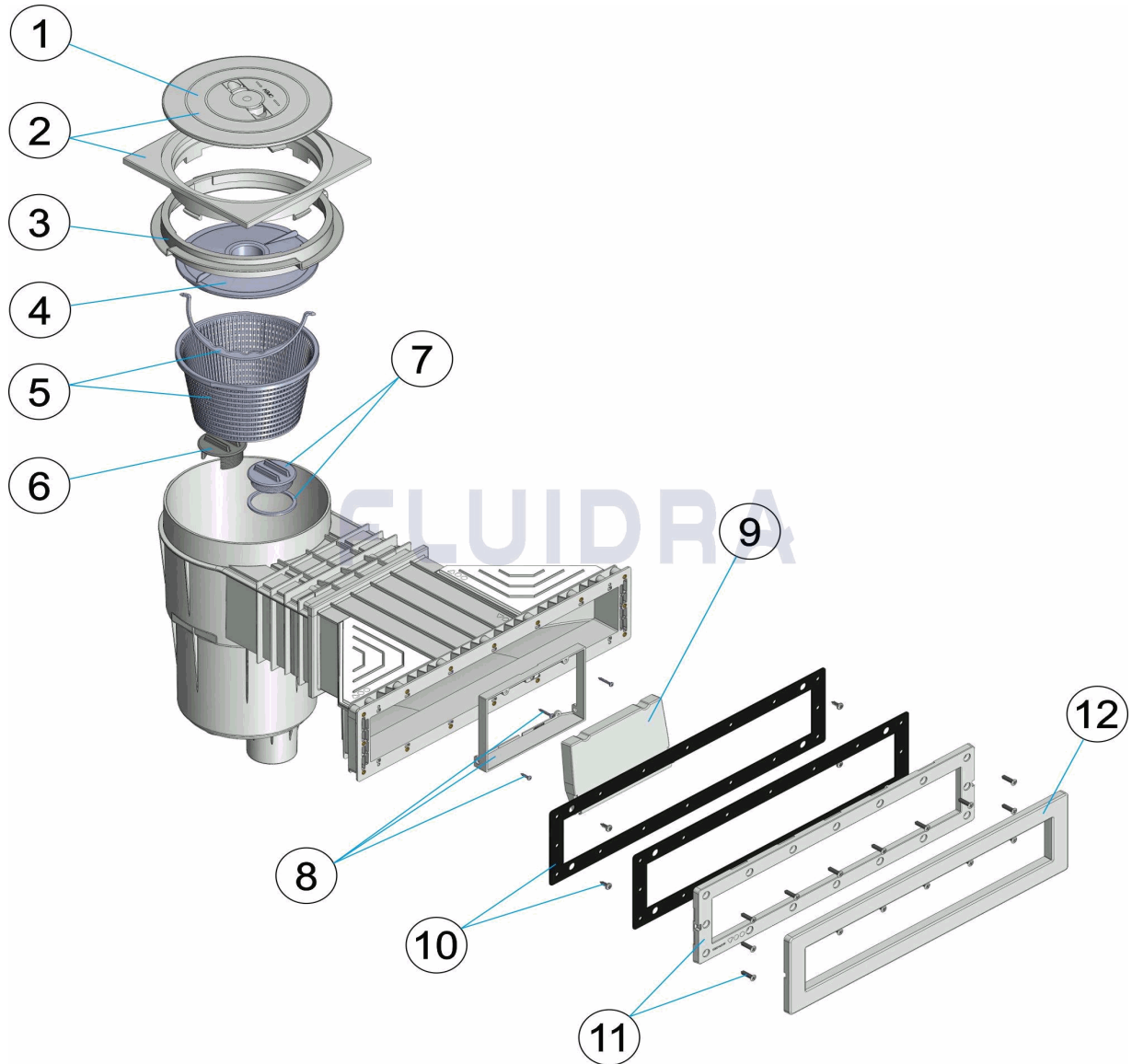
**DESCRIZIONE: SKIMMER 17,5 L. 495 X 80 CON/SENZA INSERTI**

## OSSERVAZIONI

POS	CODICE	OSSERVAZIONI
1	* 4402010509	PER: 56176, 56299 WHITE
1	* 4402010064	PER: 56176CL090, 56299CL090 BEIGE
1	* 4402010066	PER: 56176CL129, 56299CL129 GREY
1	* 4402010041	PER: 56176CL144, 56299CL144 ANTHRACITE
2	* 4402010510	PER: 56176, 56299 WHITE
2	* 05280-0700CL090	PER: 56176CL090, 56299CL090 BEIGE
2	* 05280-0700CL129	PER: 56176CL129, 56299CL129 GREY
2	* 05280-0700CL144	PER: 56176CL144, 56299CL144 ANTHRACITE
3	* 4402010506	PER: 56176, 56299 WHITE
3	* 4402010073	PER: 56176CL090, 56299CL090 BEIGE
3	* 4402010075	PER: 56176CL129, 56299CL129 GREY
3	* 4402010039	PER: 56176CL144, 56299CL144 ANTHRACITE
8	* 4402010508	PER: 56176, 56299 WHITE
8	* 4402010119	PER: 56176CL090, 56299CL090 BEIGE
8	* 4402010120	PER: 56176CL129, 56299CL129 GREY
8	* 4402010042	PER: 56176CL144, 56299CL144 ANTHRACITE
9	* 4402010501	PER: 56176, 56299 WHITE
9	* 4402010076	PER: 56176CL090, 56299CL090 BEIGE
9	* 4402010079	PER: 56176CL129, 56299CL129 GREY
9	* 4402010080	PER: 56176, 56299 ANTHRACITE
11	* 4402010022	PER: 56176 WHITE
11	* 4402010024	PER: 56299 WHITE
11	* 4402010136	PER: 56176CL090 BEIGE
11	* 4402010140	PER: 56299CL090 BEIGE
11	* 4402010137	PER: 56176CL129 GREY
11	* 4402010141	PER: 56299CL129 GREY
11	* 4402010089	PER: 56176CL144 ANTHRACITE
11	* 4402010142	PER: 56299CL144 ANTHRACITE
12	* 4402010023	PER: 56176, 56299 WHITE
12	* 4402010138	PER: 56176CL090, 56299CL090 BEIGE
12	* 4402010139	PER: 56176CL129, 56299CL129 GREY
12	* 4402010087	PER: 56176CL144, 56299CL144 ANTHRACITE

CODE **56176, 56176CL090, 56176CL129, 56176CL144, 56299, 56299CL090, 56299CL129, 56299CL144**

BESCHREIBUNG: **SKIMMER 17,5 L. EINLASS 495 X 80 MIT/OHNE EINSÄTZEN**



**DEUTSCH**

POS	CODE	BESCHREIBUNG	MENGE	POS	CODE	BESCHREIBUNG	MENGE
1	* 4402010509	SKIMMERDECKEL		7	4402010503	STOPFEN UND DICHTUNG	
1	* 4402010064	SKIMMERDECKEL		8	* 4402010508	RAHMEN SKIMMERKLAPPE	
1	* 4402010066	SKIMMERDECKEL		8	* 4402010119	RAHMEN SKIMMERKLAPPE	
1	* 4402010041	SKIMMERDECKEL		8	* 4402010120	RAHMEN SKIMMERKLAPPE	
2	* 4402010510	QUADRATISCHER RAHMEN UND ABDECKL		8	* 4402010042	RAHMEN SKIMMERKLAPPE	
2	* 05280-0700CL090	QUADRATISCHER RAHMEN UND ABDECKL		9	* 4402010501	SKIMMERKLAPPE MIT CLIP	
2	* 05280-0700CL129	QUADRATISCHER RAHMEN UND ABDECKL		9	* 4402010076	SKIMMERKLAPPE MIT CLIP	
2	* 05280-0700CL144	QUADRATISCHER RAHMEN UND ABDECKL		9	* 4402010079	SKIMMERKLAPPE MIT CLIP	
3	* 4402010506	DISTANZRING SKIMMER		9	* 4402010080	SKIMMERKLAPPE MIT CLIP	
3	* 4402010073	DISTANZRING SKIMMER		10	4402010021	DICHTUNG SELBSTKLEBEND EINLASS 495	
3	* 4402010075	DISTANZRING SKIMMER		11	* 4402010022	EINLASSFLANSCH 495 X 80 MIT EINSÄTZEI	
3	* 4402010039	DISTANZRING 17,5 L		11	* 4402010024	EINLASSFLANSCH 495 X 80 OHNE EINSÄTZ	

CODE **56176, 56176CL090, 56176CL129, 56176CL144, 56299, 56299CL090, 56299CL129, 56299CL144**

BESCHREIBUNG: **SKIMMER 17,5 L. EINLASS 495 X 80 MIT/OHNE EINSÄTZEN**

4	4402010505	ABDECKUNG SKIMMKORB	11	* 4402010136	EINLASSFLANSCH 495 X 80 MIT EINSÄTZEI
5	4402010504	SKIMMERKORB 17,5 L	11	* 4402010140	EINLASSFLANSCH 495 X 80 OHNE EINSÄTZ
6	4402010502	STOPFEN REGULIERUNG	11	* 4402010137	EINLASSFLANSCH 495 X 80 MIT EINSÄTZEI
11	* 4402010141	EINLASSFLANSCH 495 X 80 OHNE EINSÄT.	12	* 4402010138	BLENDE EINLASS 495 X 80
11	* 4402010089	EINLASSFLANSCH 495 X 80 MIT EINSÄTZE	12	* 4402010139	BLENDE EINLASS 495 X 80
11	* 4402010142	EINLASSFLANSCH 495 X 80 OHNE EINSÄT.	12	* 4402010087	BLENDE EINLASS 495 X 80
12	* 4402010023	BLENDE EINLASS 495 X 80			

CODE **56176, 56176CL090, 56176CL129, 56176CL144, 56299, 56299CL090, 56299CL129, 56299CL144**

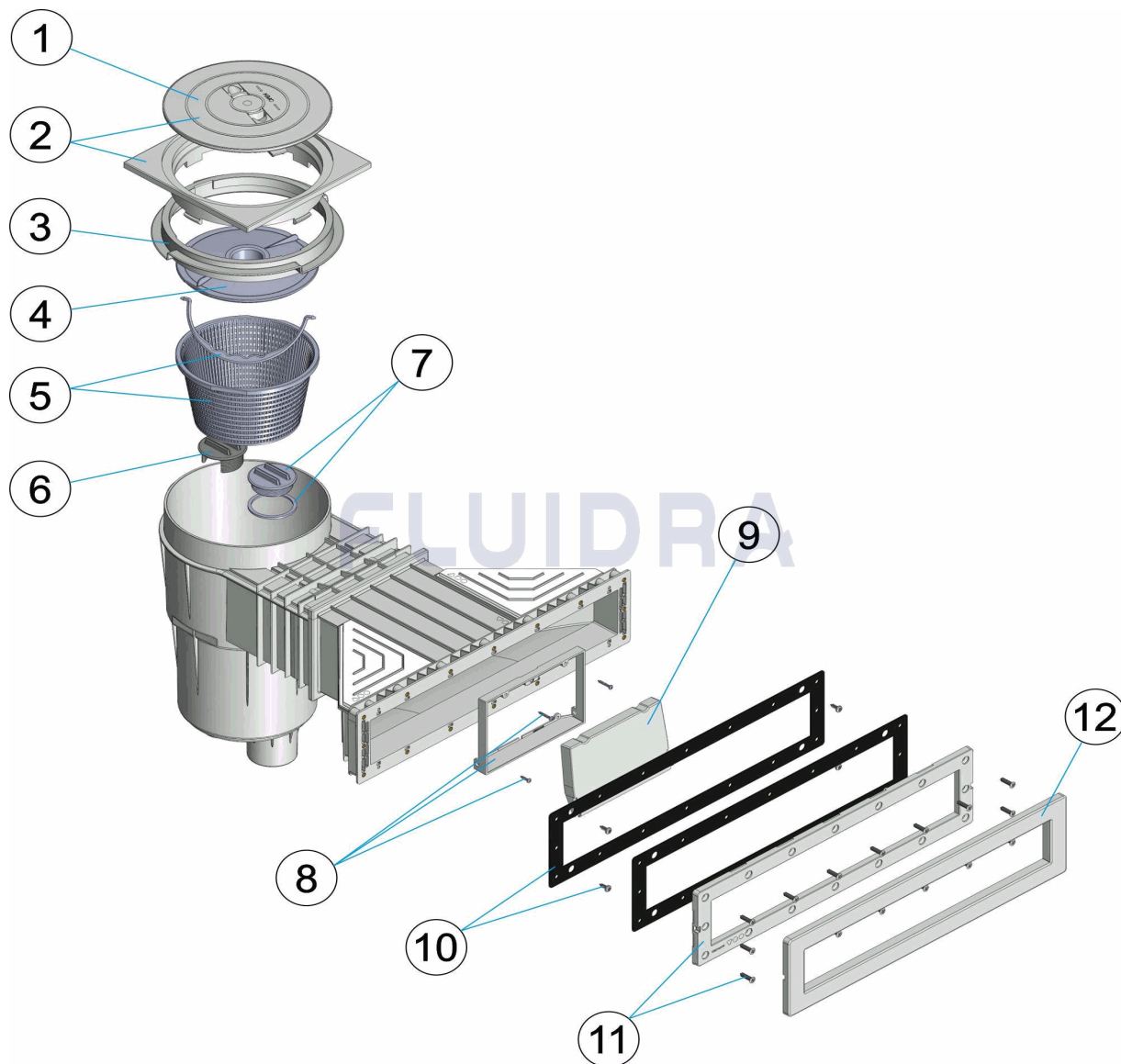
BESCHREIBUNG: **SKIMMER 17,5 L. EINLASS 495 X 80 MIT/OHNE EINSÄTZEN**

## HINWEISE

POS	CODE	HINWEISE
1	* 4402010509	FÜR: 56176, 56299 WHITE
1	* 4402010064	FÜR: 56176CL090, 56299CL090 BEIGE
1	* 4402010066	FÜR: 56176CL129, 56299CL129 GREY
1	* 4402010041	FÜR: 56176CL144, 56299CL144 ANTHRACITE
2	* 4402010510	FÜR: 56176, 56299 WHITE
2	* 05280-0700CL090	FÜR: 56176CL090, 56299CL090 BEIGE
2	* 05280-0700CL129	FÜR: 56176CL129, 56299CL129 GREY
2	* 05280-0700CL144	FÜR: 56176CL144, 56299CL144 ANTHRACITE
3	* 4402010506	FÜR: 56176, 56299 WHITE
3	* 4402010073	FÜR: 56176CL090, 56299CL090 BEIGE
3	* 4402010075	FÜR: 56176CL129, 56299CL129 GREY
3	* 4402010039	FÜR: 56176CL144, 56299CL144 ANTHRACITE
8	* 4402010508	FÜR: 56176, 56299 WHITE
8	* 4402010119	FÜR: 56176CL090, 56299CL090 BEIGE
8	* 4402010120	FÜR: 56176CL129, 56299CL129 GREY
8	* 4402010042	FÜR: 56176CL144, 56299CL144 ANTHRACITE
9	* 4402010501	FÜR: 56176, 56299 WHITE
9	* 4402010076	FÜR: 56176CL090, 56299CL090 BEIGE
9	* 4402010079	FÜR: 56176CL129, 56299CL129 GREY
9	* 4402010080	FÜR: 56176, 56299 ANTHRACITE
11	* 4402010022	FÜR: 56176 WHITE
11	* 4402010024	FÜR: 56299 WHITE
11	* 4402010136	FÜR: 56176CL090 BEIGE
11	* 4402010140	FÜR: 56299CL090 BEIGE
11	* 4402010137	FÜR: 56176CL129 GREY
11	* 4402010141	FÜR: 56299CL129 GREY
11	* 4402010089	FÜR: 56176CL144 ANTHRACITE
11	* 4402010142	FÜR: 56299CL144 ANTHRACITE
12	* 4402010023	FÜR: 56176, 56299 WHITE
12	* 4402010138	FÜR: 56176CL090, 56299CL090 BEIGE
12	* 4402010139	FÜR: 56176CL129, 56299CL129 GREY
12	* 4402010087	FÜR: 56176CL144, 56299CL144 ANTHRACITE

**CODIGO** 56176, 56176CL090, 56176CL129, 56176CL144, 56299, 56299CL090, 56299CL129, 56299CL144

**DESCRIÇÃO:** SKIMMER 17,5 L. BOCA 495 X 80 COM/SEM INSERÇÕES



**PORTUGUES**

POS	CODIGO	DESCRIÇÃO	JANTIDADE	POS	CODIGO	DESCRIÇÃO	JANTIDADE
1	* 4402010509	TAMPA SKIMMER		7	4402010503	TAMPA COM JUNTA	
1	* 4402010064	TAMPA SKIMMER		8	* 4402010508	CAIXILHO COMPORTA SKIMMER	
1	* 4402010066	TAMPA SKIMMER		8	* 4402010119	CAIXILHO COMPORTA SKIMMER	
1	* 4402010041	TAMPA SKIMMER		8	* 4402010120	CAIXILHO COMPORTA SKIMMER	
2	* 4402010510	ARO QUADRADO E TAMPA		8	* 4402010042	CAIXILHO COMPORTA SKIMMER	
2	* 05280-0700CL090	ARO QUADRADO E TAMPA		9	* 4402010501	COMPORTA SKIMMER CLIP	
2	* 05280-0700CL129	ARO QUADRADO E TAMPA		9	* 4402010076	COMPORTA SKIMMER CLIP	
2	* 05280-0700CL144	ARO QUADRADO E TAMPA		9	* 4402010079	COMPORTA SKIMMER CLIP	
3	* 4402010506	ANEL DISTANCIADOR SKIMMER		9	* 4402010080	COMPORTA SKIMMER CLIP	
3	* 4402010073	ANEL DISTANCIADOR SKIMMER		10	4402010021	JUNTA ADESIVA BOCA 495 X 80	
3	* 4402010075	ANEL DISTANCIADOR SKIMMER		11	* 4402010022	FLANGE BOCA 495 X 80 COM INSERÇÕES	
3	* 4402010039	ANEL DISTANCIADOR SKIMMER		11	* 4402010024	FLANGE BOCA 495 X 80 SEM INSERÇÕES	

**\* VEJA A FICHA DE OBSERVAÇÕES**



**CODIGO**                    **56176, 56176CL090, 56176CL129, 56176CL144, 56299, 56299CL090, 56299CL129, 56299CL144**

**DESCRIÇÃO: SKIMMER 17,5 L. BOCA 495 X 80 COM/SEM INSERÇÕES**

4	4402010505	TAMPA CESTO SKIMMER	11	* 4402010136	FLANGE BOCA 495 X 80 COM INSERÇÕES
5	4402010504	CESTO SKIMMER 17,5 LTS	11	* 4402010140	FLANGE BOCA 495 X 80 SEM INSERÇÕES
6	4402010502	TAMPA REGULADORA	11	* 4402010137	FLANGE BOCA 495 X 80 COM INSERÇÕES
11	* 4402010141	FLANGE BOCA 495 X 80 SEM INSERÇÕES	12	* 4402010138	EMBELEZADOR BOCA 495 X 80
11	* 4402010089	FLANGE BOCA 495 X 80 COM INSERÇÕES	12	* 4402010139	EMBELEZADOR BOCA 495 X 80
11	* 4402010142	FLANGE BOCA 495 X 80 SEM INSERÇÕES	12	* 4402010087	EMBELEZADOR BOCA 495 X 80
12	* 4402010023	EMBELEZADOR BOCA 495 X 80			

**CODIGO**                    **56176, 56176CL090, 56176CL129, 56176CL144, 56299, 56299CL090, 56299CL129, 56299CL144**

**DESCRIÇÃO: SKIMMER 17,5 L. BOCA 495 X 80 COM/SEM INSERÇÕES**

## OBSERVAÇÕES

POS	CODIGO	OBSERVAÇÕES
1	* 4402010509	PARA: 56176, 56299 WHITE
1	* 4402010064	PARA: 56176CL090, 56299CL090 BEIGE
1	* 4402010066	PARA: 56176CL129, 56299CL129 GREY
1	* 4402010041	PARA: 56176CL144, 56299CL144 ANTHRACITE
2	* 4402010510	PARA: 56176, 56299 WHITE
2	* 05280-0700CL090	PARA: 56176CL090, 56299CL090 BEIGE
2	* 05280-0700CL129	PARA: 56176CL129, 56299CL129 GREY
2	* 05280-0700CL144	PARA: 56176CL144, 56299CL144 ANTHRACITE
3	* 4402010506	PARA: 56176, 56299 WHITE
3	* 4402010073	PARA: 56176CL090, 56299CL090 BEIGE
3	* 4402010075	PARA: 56176CL129, 56299CL129 GREY
3	* 4402010039	PARA: 56176CL144, 56299CL144 ANTHRACITE
8	* 4402010508	PARA: 56176, 56299 WHITE
8	* 4402010119	PARA: 56176CL090, 56299CL090 BEIGE
8	* 4402010120	PARA: 56176CL129, 56299CL129 GREY
8	* 4402010042	PARA: 56176CL144, 56299CL144 ANTHRACITE
9	* 4402010501	PARA: 56176, 56299 WHITE
9	* 4402010076	PARA: 56176CL090, 56299CL090 BEIGE
9	* 4402010079	PARA: 56176CL129, 56299CL129 GREY
9	* 4402010080	PARA: 56176, 56299 ANTHRACITE
11	* 4402010022	PARA: 56176 WHITE
11	* 4402010024	PARA: 56299 WHITE
11	* 4402010136	PARA: 56176CL090 BEIGE
11	* 4402010140	PARA: 56299CL090 BEIGE
11	* 4402010137	PARA: 56176CL129 GREY
11	* 4402010141	PARA: 56299CL129 GREY
11	* 4402010089	PARA: 56176CL144 ANTHRACITE
11	* 4402010142	PARA: 56299CL144 ANTHRACITE
12	* 4402010023	PARA: 56176, 56299 WHITE
12	* 4402010138	PARA: 56176CL090, 56299CL090 BEIGE
12	* 4402010139	PARA: 56176CL129, 56299CL129 GREY
12	* 4402010087	PARA: 56176CL144, 56299CL144 ANTHRACITE