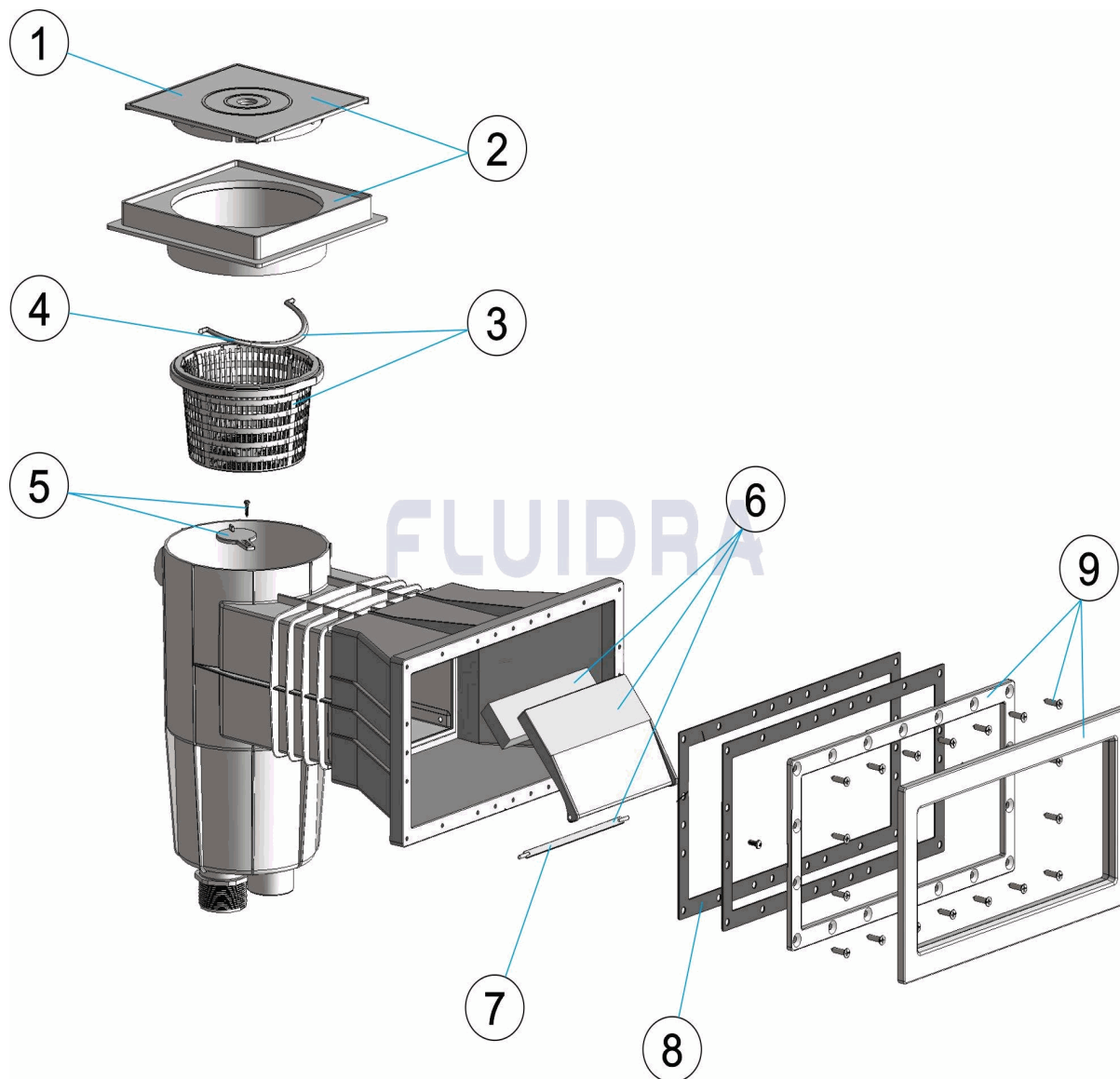


CODIGO **34413, 34413CL090, 34413CL125, 34413CL129, 34413CL144**

DESCRIPCION: **SKIMMER 15 L. PP. T. CUADRADA B. AMPLIACION**



ESPAÑOL

POS	CODIGO	DESCRIPCION	CANTIDAD	POS	CODIGO	DESCRIPCION	CANTIDAD
1	4402013706	TAPA CUADRADA SKIMMER		6	* 4402010072	COMPUERTA SKIMMER BISAGRA	
2	4402013704	TAPA Y ARO CUADRADO SKIMMER		7	4402010110	BISAGRA COMPUERTA	
3	4402010103	CESTO SKIMMER		8	4402010407	JUNTA SKIMMER GRANDE PISC. PREF.	
4	4402010111	ASA CESTO SKIMMER		9	* 4402012012	MARCO BOCA SKIMMER P.P.	
5	4402010102	CLAPETA SKIMMER		9	* 4402010027	TAPA Y MARCO SKIMMER	
6	* 4402010101	COMPUERTA SKIMMER BISAGRA		9	* 4402010029	MARCO BOCA SKIMMER	
6	* 4402010026	CONJUNTO COMPUERTA SKIMMER + FLO		9	* 4402010031	MARCO CON TAPA SKIMMER	
6	* 4402010028	CONJUNTO COMPUERTA SKIMMER + FLO		9	* 4402010043	MARCO BOCA SKIMMER PISC. PREF.	
6	* 4402010030	CONJUNTO COMPUERTA SKIMMER + FLO					

CODIGO 34413, 34413CL090, 34413CL125, 34413CL129, 34413CL144

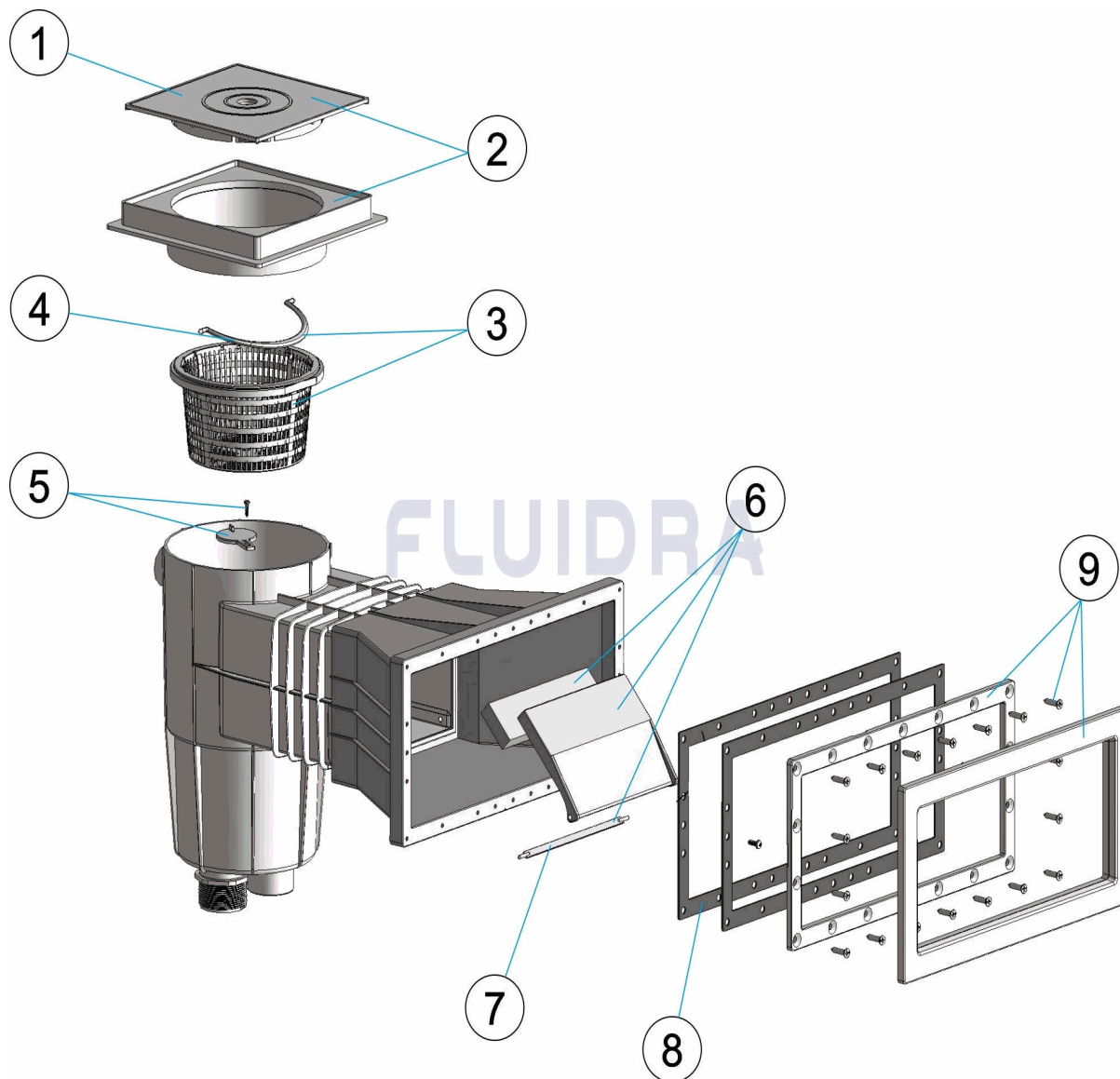
DESCRIPCION: SKIMMER 15 L. PP. T. CUADRADA B. AMPLIACION

OBSERVACIONES

POS	CODIGO	OBSERVACIONES
6	* 4402010101	PARA: 34413 WHITE
6	* 4402010026	PARA: 34413CL090 BEIGE
6	* 4402010028	PARA: 34413CL125 BLUE
6	* 4402010030	PARA: 34413CL129 GREY
6	* 4402010072	PARA: 34413CL144 ANTHRACITE
9	* 4402012012	PARA: 34413 WHITE
9	* 4402010027	PARA: 34413CL090 BEIGE
9	* 4402010029	PARA: 34413CL125 BLUE
9	* 4402010031	PARA: 34413CL129 GREY
9	* 4402010043	PARA: 34413CL144 ANTHRACITE

CODE 34413, 34413CL090, 34413CL125, 34413CL129, 34413CL144

DESCRIPTION: SKIMMER 15L PP O LARGE C. CARRÉ



FRANCAIS

POS	CODE	DESCRIPTION	QUANTITE	POS	CODE	DESCRIPTION	QUANTITE
1	4402013706	COUVERCLE CARRE SKIMMER		6	* 4402010072	VOLET ET CHARNIERE SKIMMER	
2	4402013704	COUVERCLE ET CADRE CARRE SKIMMER		7	4402010110	CHARNIERE VOLET	
3	4402010103	PANIER SKIMMER		8	4402010407	JOINT SKIM GRAND MOD PISCINE LINER	
4	4402010111	ANSE PANIER SKIMMER		9	* 4402012012	CADRE BOUCHE SKIMMER P.P.	
5	4402010102	CLAPET SKIMMER		9	* 4402010027	COUVERCLE ET FAÇADE SKIMMER	
6	* 4402010101	VOLET ET CHARNIERE SKIMMER		9	* 4402010029	CADRE BOUCHE SKIMMER	
6	* 4402010026	VOLET ET CHARNIERE SKIMMER		9	* 4402010031	COUVERCLE ET CADRE DE SKIMMER	
6	* 4402010028	VOLET ET CHARNIERE SKIMMER		9	* 4402010043	BRIDE ET CACHE VIS KIT LINER	
6	* 4402010030	VOLET ET CHARNIERE SKIMMER					

CODE **34413, 34413CL090, 34413CL125, 34413CL129, 34413CL144**

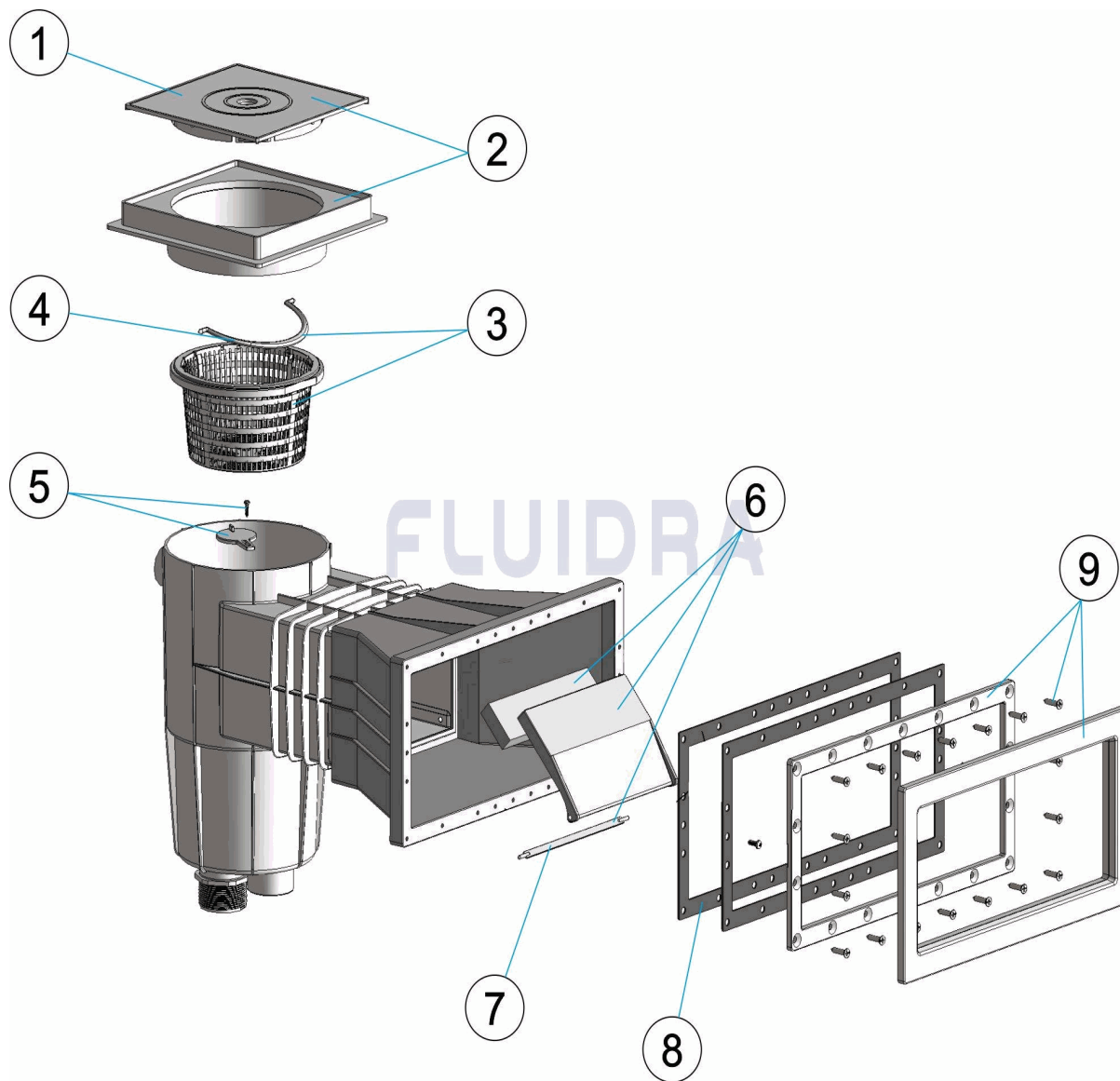
DESCRIPTION: **SKIMMER 15L PP O LARGE C. CARRÉ**

OBSERVATIONS

POS	CODE	OBSERVATIONS
6	* 4402010101	POUR: 34413 WHITE
6	* 4402010026	POUR: 34413CL090 BEIGE
6	* 4402010028	POUR: 34413CL125 BLUE
6	* 4402010030	POUR: 34413CL129 GREY
6	* 4402010072	POUR: 34413CL144 ANTHRACITE
9	* 4402012012	POUR: 34413 WHITE
9	* 4402010027	POUR: 34413CL090 BEIGE
9	* 4402010029	POUR: 34413CL125 BLUE
9	* 4402010031	POUR: 34413CL129 GREY
9	* 4402010043	POUR: 34413CL144 ANTHRACITE

CODE **34413, 34413CL090, 34413CL125, 34413CL129, 34413CL144**

DESCRIPTION: **SKIMMER 15L PP WIDE MOUTH SQUARE COVER**



ENGLISH

POS	CODE	DESCRIPTION	QUANTITY	POS	CODE	DESCRIPTION	QUANTITY
1	4402013706	SQUARE SKIMMER LID		6	* 4402010072	FLAP RETAINING CLIP	
2	4402013704	SQUARE LID AND LID FRAME		7	4402010110	HINGE FLAP	
3	4402010103	SKIMMER BASKET		8	4402010407	LARGE SKIMMER GASKETS FOR LINER	
4	4402010111	SKIMMER BASKET HANDLE		9	* 4402012012	SKIMMER FRAME P.P.	
5	4402010102	KEYHOLE FLAP		9	* 4402010027	SKIMMER LID AND FRAME	
6	* 4402010101	FLAP RETAINING CLIP		9	* 4402010029	SKIMMER FRAME	
6	* 4402010026	FLAP RETAINING CLIP		9	* 4402010031	LID AND FRAME	
6	* 4402010028	FLAP RETAINING CLIP		9	* 4402010043	SKIMMER FRAME FOR LINER	
6	* 4402010030	FLAP RETAINING CLIP					

CODE **34413, 34413CL090, 34413CL125, 34413CL129, 34413CL144**

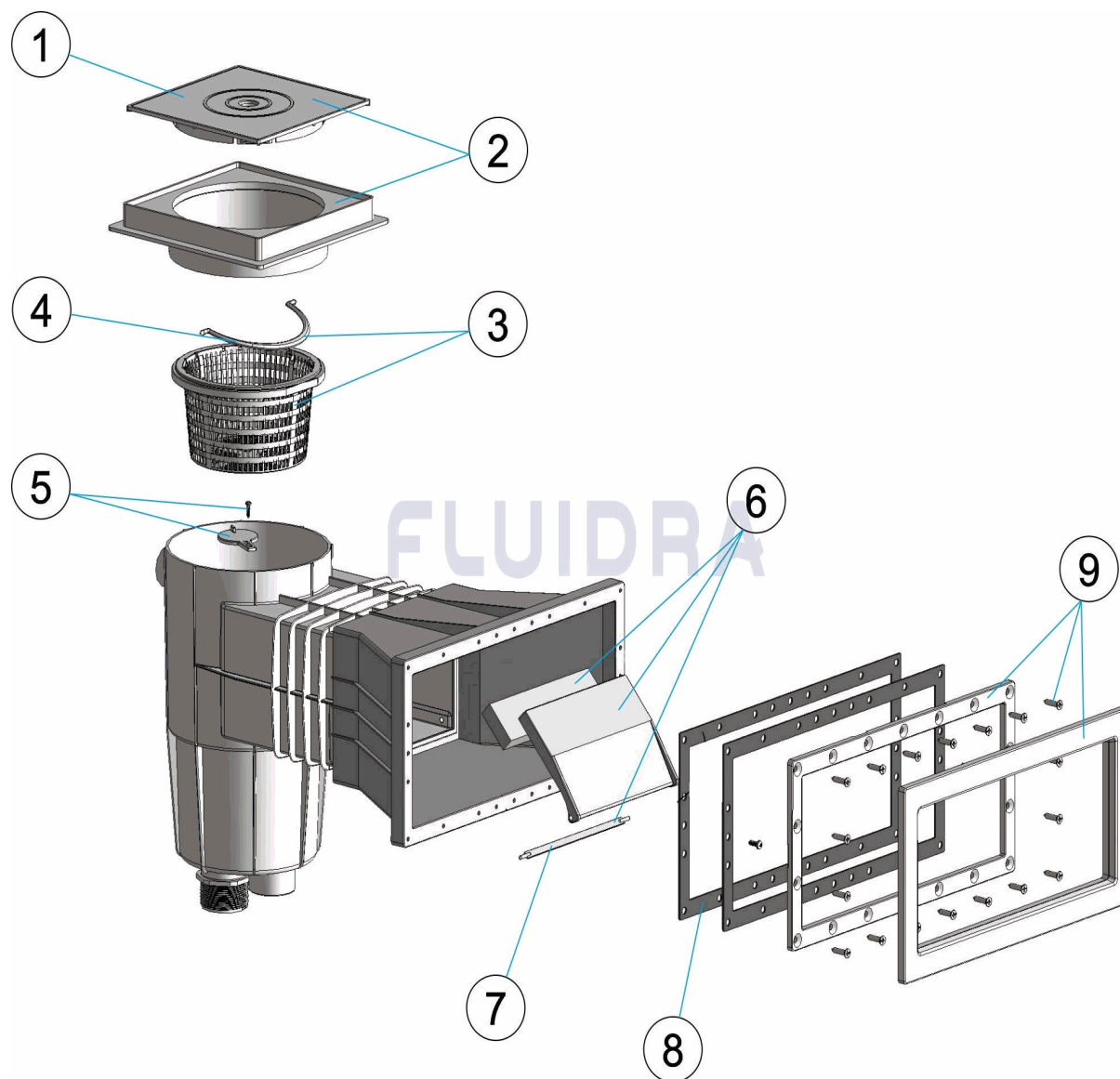
DESCRIPTION: **SKIMMER 15L PP WIDE MOUTH SQUARE COVER**

OBSERVATIONS

POS	CODE	OBSERVATIONS
6	* 4402010101	FOR: 34413 WHITE
6	* 4402010026	FOR: 34413CL090 BEIGE
6	* 4402010028	FOR: 34413CL125 BLUE
6	* 4402010030	FOR: 34413CL129 GREY
6	* 4402010072	FOR: 34413CL144 ANTHRACITE
9	* 4402012012	FOR: 34413 WHITE
9	* 4402010027	FOR: 34413CL090 BEIGE
9	* 4402010029	FOR: 34413CL125 BLUE
9	* 4402010031	FOR: 34413CL129 GREY
9	* 4402010043	FOR: 34413CL144 ANTHRACITE

CODICE 34413, 34413CL090, 34413CL125, 34413CL129, 34413CL144

DESCRIZIONE: SKIMMER 15L PP B. AMPL. TAPPO QUADRATO



ITALIANO

POS	CODICE	DESCRIZIONE	QUANTITA'	POS	CODICE	DESCRIZIONE	QUANTITA'
1	4402013706	COPERCHIO QUADRO SKIMMER		6	* 4402010072	BATTENTE SKIMMER CON PERNO	
2	4402013704	COPERCHIO E CORNICE QUADRA SKIMME		7	4402010110	CERNIERE BATTENTE	
3	4402010103	CESTELLO SKIMMER		8	4402010407	GUARNIZIONE PER SKIMMER BOCCA A V F	
4	4402010111	MANIGLIA PANIER SKIMMER		9	* 4402012012	FLANGIA BOCCA SKIMMER P.P.	
5	4402010102	ALETTA PARZIALIZZATRICE SKIMMER		9	* 4402010027	COPERCHIO E CORNICE SKIMMER	
6	* 4402010101	BATTENTE SKIMMER CON PERNO		9	* 4402010029	FLANGIA BOCCA SKIMMER	
6	* 4402010026	BATTENTE SKIMMER CON PERNO		9	* 4402010031	CORNICE CON COPERCHIO SKIMMER	
6	* 4402010028	BATTENTE SKIMMER CON PERNO		9	* 4402010043	FLANGIA BOCCA SKIMMER PER PISCINA IN	
6	* 4402010030	BATTENTE SKIMMER CON PERNO					

CODICE **34413, 34413CL090, 34413CL125, 34413CL129, 34413CL144**

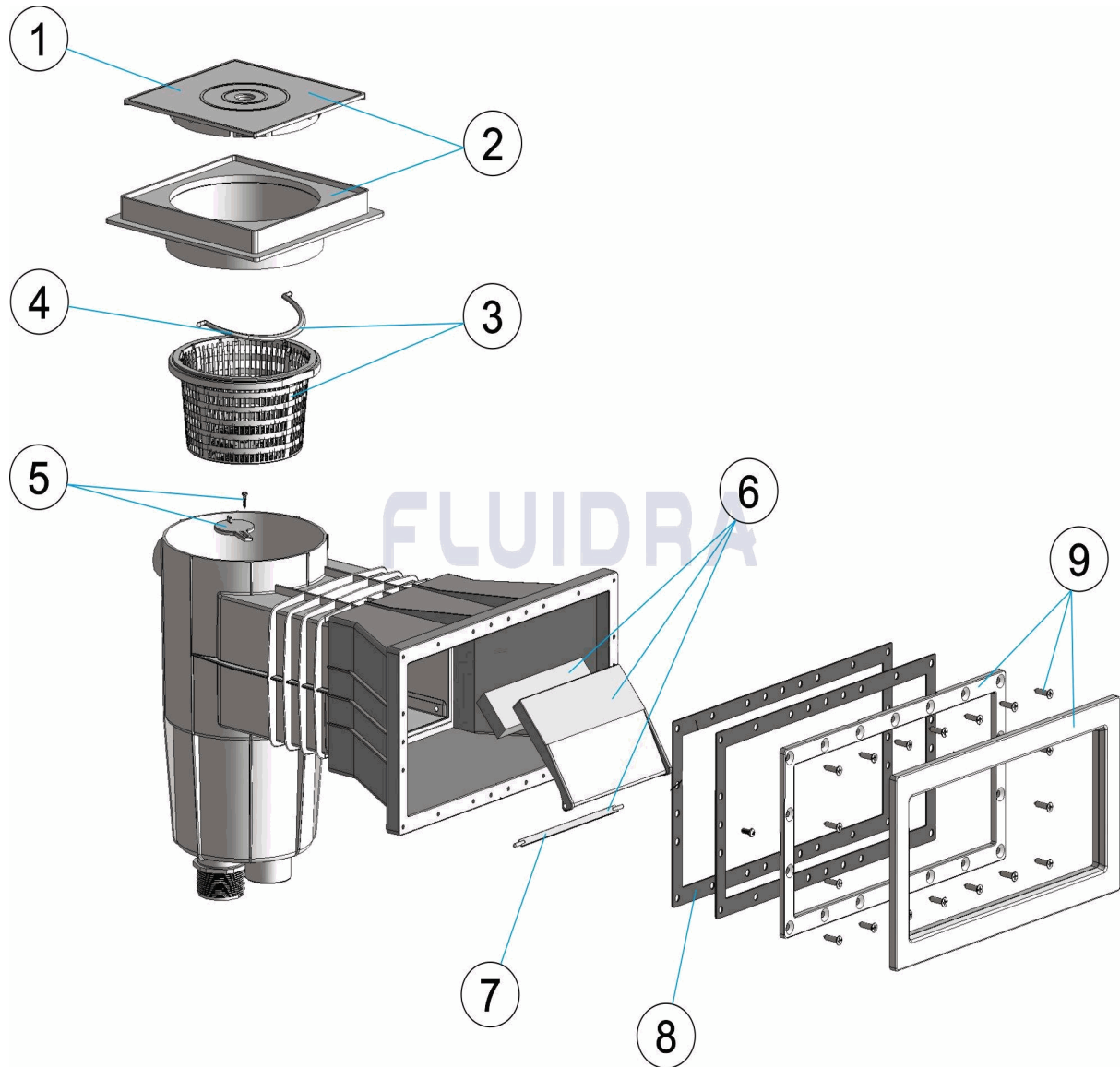
DESCRIZIONE: SKIMMER 15L PP B. AMPL. TAPPO QUADRATO

OSSERVAZIONI

POS	CODICE	OSSERVAZIONI
6	* 4402010101	PER: 34413 WHITE
6	* 4402010026	PER: 34413CL090 BEIGE
6	* 4402010028	PER: 34413CL125 BLUE
6	* 4402010030	PER: 34413CL129 GREY
6	* 4402010072	PER: 34413CL144 ANTHRACITE
9	* 4402012012	PER: 34413 WHITE
9	* 4402010027	PER: 34413CL090 BEIGE
9	* 4402010029	PER: 34413CL125 BLUE
9	* 4402010031	PER: 34413CL129 GREY
9	* 4402010043	PER: 34413CL144 ANTHRACITE

CODE **34413, 34413CL090, 34413CL125, 34413CL129, 34413CL144**

BESCHREIBUNG: **SKIMMER 15 L. PP. ABDECKUNG QUADRATISCH EINLASS ERWEITERT**



DEUTSCH

POS	CODE	BESCHREIBUNG	MENGE	POS	CODE	BESCHREIBUNG	MENGE
1	4402013706	ABDECKUNG QUADRATISCH SKIMMER		6	* 4402010072	SKIMMERKLAPPE SCHARNIER	
2	4402013704	ABDECKUNG UND RING SKIMMER QUADR		7	4402010110	SCHARNIER Klappe	
3	4402010103	SKIMMERKORB		8	4402010407	DICHTUNG SKIMMER GROSS FERTIGBECK	
4	4402010111	GRIFF SKIMMKORB		9	* 4402012012	RAHMEN SKIMMEREINLASS FERTIGBECKE	
5	4402010102	ABDECKKAPPE		9	* 4402010027	ABDECKUNG UND RAHMEN SKIMMER	
6	* 4402010101	SKIMMERKLAPPE SCHARNIER		9	* 4402010029	RAHMEN SKIMMEREINLASS	
6	* 4402010026	SET SKIMMERKLAPPE MIT SCHWIMMER		9	* 4402010031	RAHMEN MIT SKIMMERDECKEL	
6	* 4402010028	SET SKIMMERKLAPPE MIT SCHWIMMER		9	* 4402010043	RAHMEN SKIMMEREINLASS FERTIGBECKE	
6	* 4402010030	SET SKIMMERKLAPPE MIT SCHWIMMER					

CODE **34413, 34413CL090, 34413CL125, 34413CL129, 34413CL144**

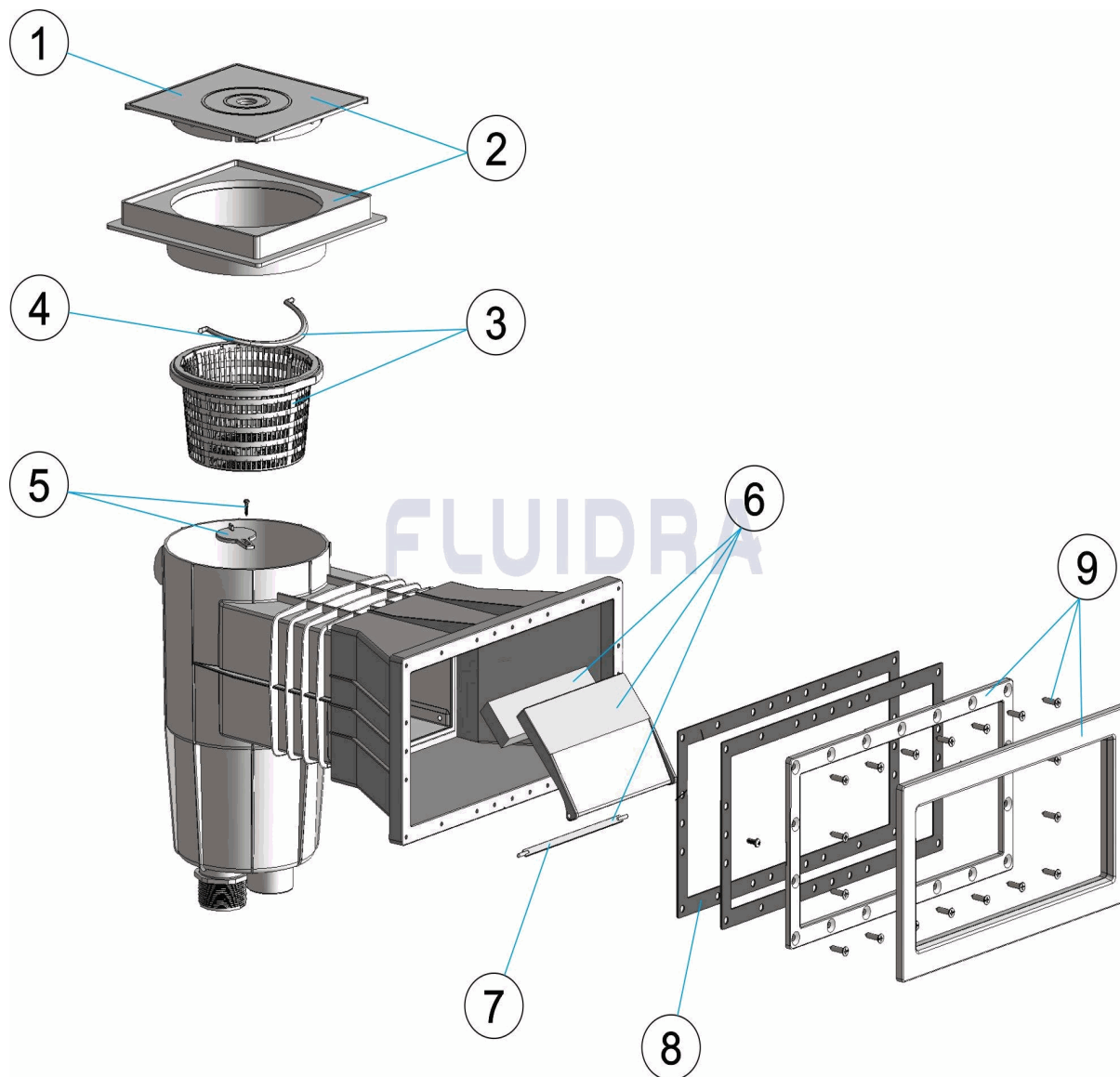
BESCHREIBUNG: **SKIMMER 15 L. PP. ABDECKUNG QUADRATISCH EINLASS ERWEITERT**

HINWEISE

POS	CODE	HINWEISE
6	* 4402010101	FÜR: 34413 WHITE
6	* 4402010026	FÜR: 34413CL090 BEIGE
6	* 4402010028	FÜR: 34413CL125 BLUE
6	* 4402010030	FÜR: 34413CL129 GREY
6	* 4402010072	FÜR: 34413CL144 ANTHRACITE
9	* 4402012012	FÜR: 34413 WHITE
9	* 4402010027	FÜR: 34413CL090 BEIGE
9	* 4402010029	FÜR: 34413CL125 BLUE
9	* 4402010031	FÜR: 34413CL129 GREY
9	* 4402010043	FÜR: 34413CL144 ANTHRACITE

CODIGO **34413, 34413CL090, 34413CL125, 34413CL129, 34413CL144**

DESCRIÇÃO: **SKIMMER 15 L PP B. AMPL. T. QUADRADA**



PORTUGUES

POS	CODIGO	DESCRIÇÃO	JANTIDADE	POS	CODIGO	DESCRIÇÃO	JANTIDADE
1	4402013706	TAMPA QUADRADA SKIMMER		6	* 4402010072	COMPORTA SKIMMER BISAGRA	
2	4402013704	TAMPA E ARO QUADRADO SKIMMER		7	4402010110	DOBRADIÇA COMPORTA	
3	4402010103	CESTO SKIMMER		8	4402010407	JUNTA GRANDE DE SKIMMER	
4	4402010111	ALSA CESTA SKIMMER		9	* 4402012012	CAIXILHO BOCA SKIMMER P.P.	
5	4402010102	CLAPETA SKIMMER		9	* 4402010027	TAMPA E MARCO SKIMMER	
6	* 4402010101	COMPORTA SKIMMER BISAGRA		9	* 4402010029	CAIXILHO BOCA SKIMMER	
6	* 4402010026	COMPORTA SKIMMER BISAGRA		9	* 4402010031	ARO COM TAMPA SKIMMER	
6	* 4402010028	COMPORTA SKIMMER BISAGRA		9	* 4402010043	CAIXILHO BOCA SKIMMER	
6	* 4402010030	COMPORTA SKIMMER BISAGRA					

CODIGO 34413, 34413CL090, 34413CL125, 34413CL129, 34413CL144

DESCRIÇÃO: SKIMMER 15 L PP B. AMPL. T. QUADRADA

OBSERVAÇÕES

POS	CODIGO	OBSERVAÇÕES
6	* 4402010101	PARA: 34413 WHITE
6	* 4402010026	PARA: 34413CL090 BEIGE
6	* 4402010028	PARA: 34413CL125 BLUE
6	* 4402010030	PARA: 34413CL129 GREY
6	* 4402010072	PARA: 34413CL144 ANTHRACITE
9	* 4402012012	PARA: 34413 WHITE
9	* 4402010027	PARA: 34413CL090 BEIGE
9	* 4402010029	PARA: 34413CL125 BLUE
9	* 4402010031	PARA: 34413CL129 GREY
9	* 4402010043	PARA: 34413CL144 ANTHRACITE