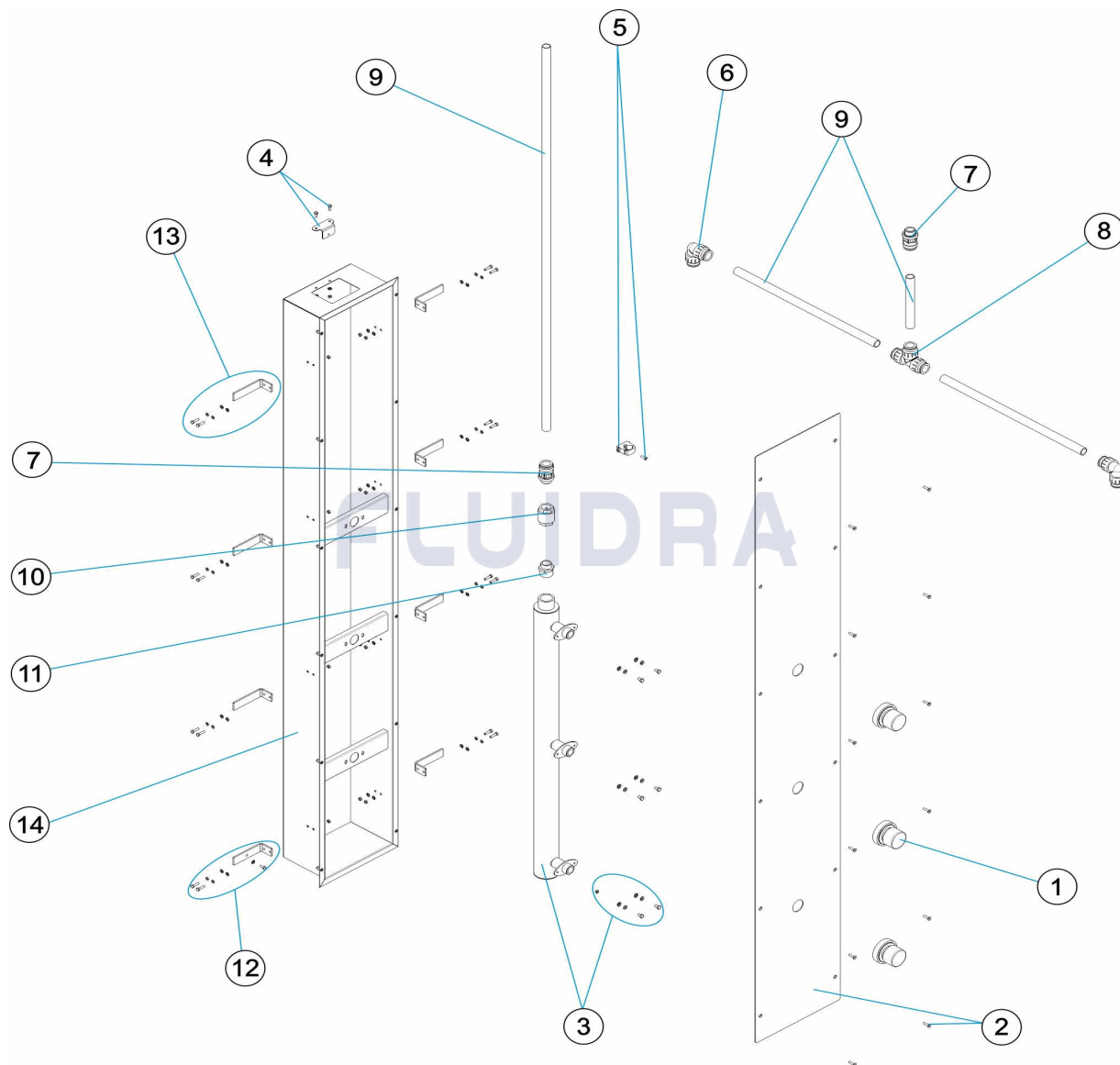


CODIGO **41257**

DESCRIPCION: **DUCHA ESCOCESA**

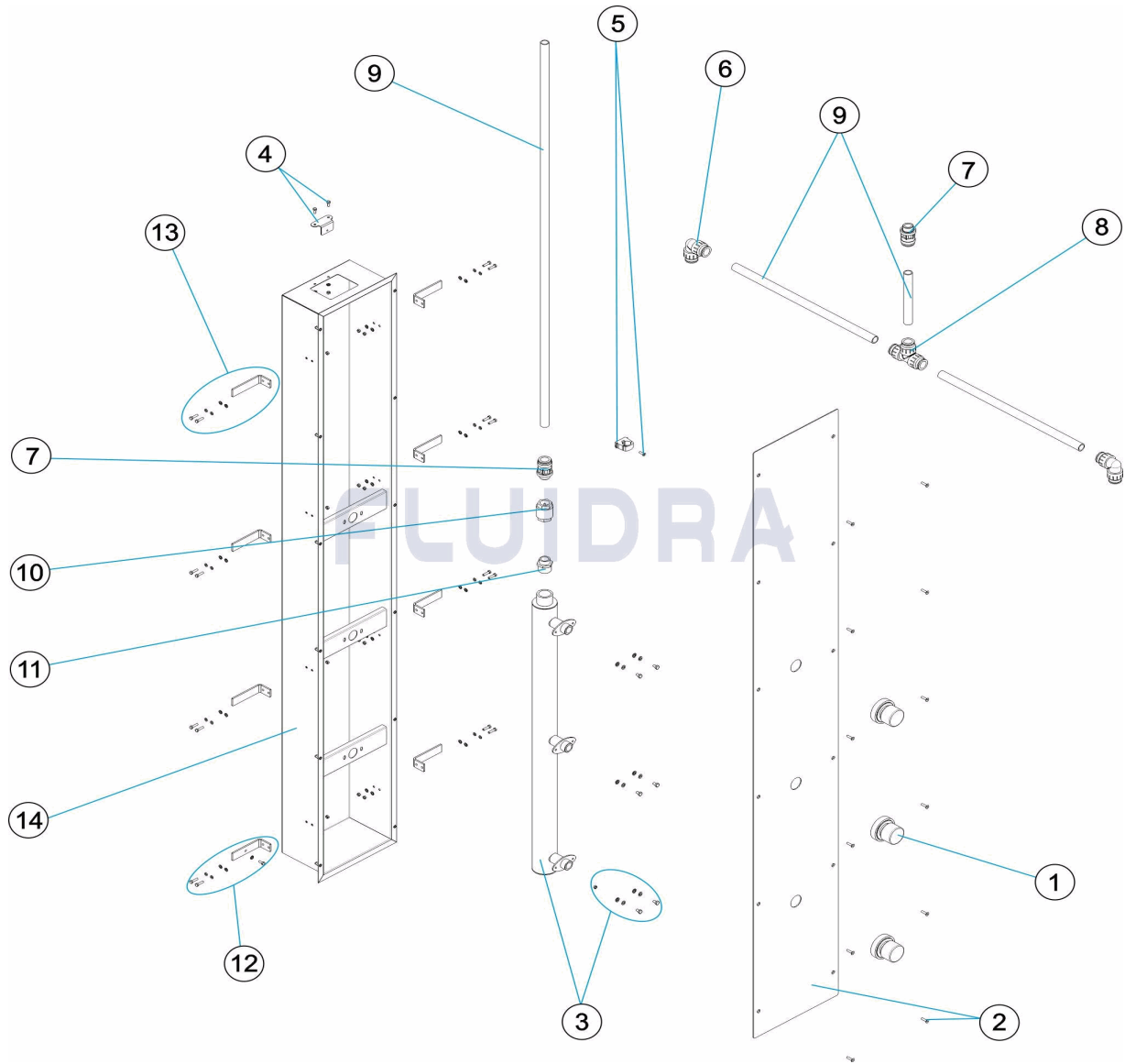


ESPAÑOL

| POS | CODIGO | DESCRIPCION | CANTIDAD | POS | CODIGO | DESCRIPCION | CANTIDAD |
|-----|------------|---------------------------|----------|------------|---------------------------------|--------------------------------------|----------|
| 1 | 4401040156 | PIÑA DUCHA LATERAL 1/2" | | 9 | 4401040125 | TUBO MULTICAPA B-PEX 22X3 (1 METRO) | |
| 2 | 4401040161 | EMBELLECEDOR COLUMNA | | 9 | 4401040152 | TUBO MULTICAPA B-PEX 22X3 (2 METROS) | |
| 3 | 4401040162 | TUBO COLECTOR | | 9 | 4401040153 | TUBO MULTICAPA B-PEX 22X3 (3 METROS) | |
| 4 | 4401040163 | ESCUADRA SOPORTE | 10 | 4401040126 | VALVULA DE RETENCION YORK 3/4" | | |
| 5 | 4401040122 | CLIP D.22 | 11 | 4401040164 | REDUCCION M-M 3/4-1" | | |
| 6 | 4401040159 | CODO HEMBRA D.22X1/2" | 12 | 4401040158 | ANGULO ANCLAJE PARA TOMA TIERRA | | |
| 7 | 4401040114 | ADAPTADOR MACHO D.22-3/4" | 13 | 4401040160 | ANGULO ANCLAJE | | |
| 8 | 4401040115 | CODO D.22 | 14 | 34058R0110 | CUERPO COLUMNA | | |

CODE 41257

DESCRIPTION: DOUCHE ÉCOSSAISE

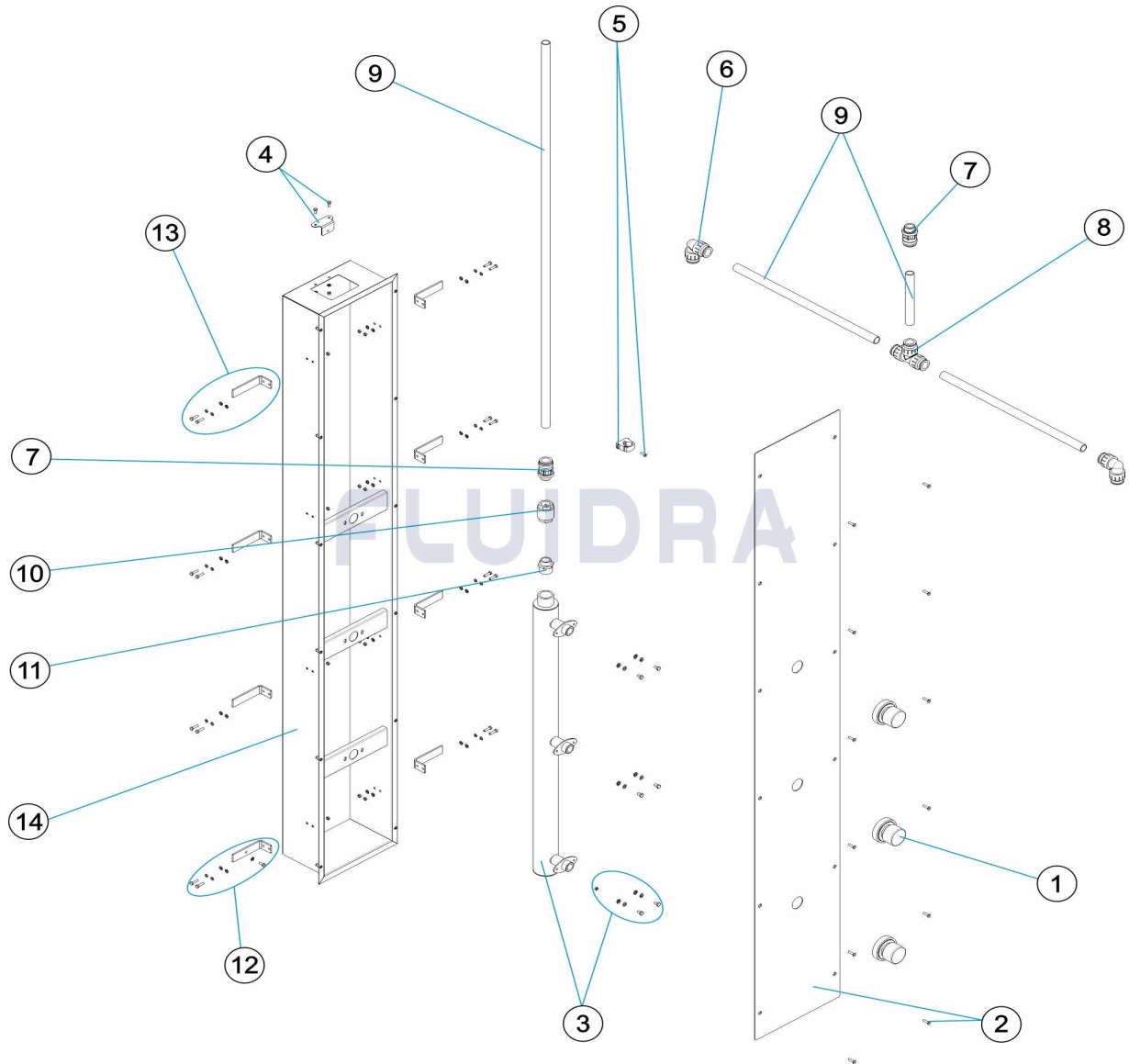


FRANCAIS

| POS | CODE | DESCRIPTION | QUANTITE | POS | CODE | DESCRIPTION | QUANTITE |
|-----|------------|-------------------------|----------|------------|--------------------------------------|-------------|----------|
| 1 | 4401040156 | POMMEAU DE DOUCHE 1/2" | 9 | 4401040125 | TUBO MULTISTRATO B-PEX 22X3 (1 METRC | | |
| 2 | 4401040161 | ENJOLIVEUR COLONNE | 9 | 4401040152 | TUBO MULTISTRATO B-PEX 22X3 (2 METRC | | |
| 3 | 4401040162 | TUYAU COLLECTEUR | 9 | 4401040153 | TUBO MULTISTRATO B-PEX 22X3 (3 METRC | | |
| 4 | 4401040163 | ÉQUERRE SUPPORT | 10 | 4401040126 | CLAPET ANTI-RETOUR YORK 3/4' | | |
| 5 | 4401040122 | CLIP D.22 | 11 | 4401040164 | RÉDUCTION M-M 3/4-1" | | |
| 6 | 4401040159 | COUDE FEMELLE D.22X1/2" | 12 | 4401040158 | ANGLE FIXATION POUR PRISE DE TERRE | | |
| 7 | 4401040114 | ADAPTEUR MÂLE D.22-3/4" | 13 | 4401040160 | ANGLE FIXATION | | |
| 8 | 4401040115 | COUDE D.22 | 14 | 34058R0110 | CORPS DE LA COLONNE | | |

CODE **41257**

DESCRIPTION: **SCOTTISH SHOWER**

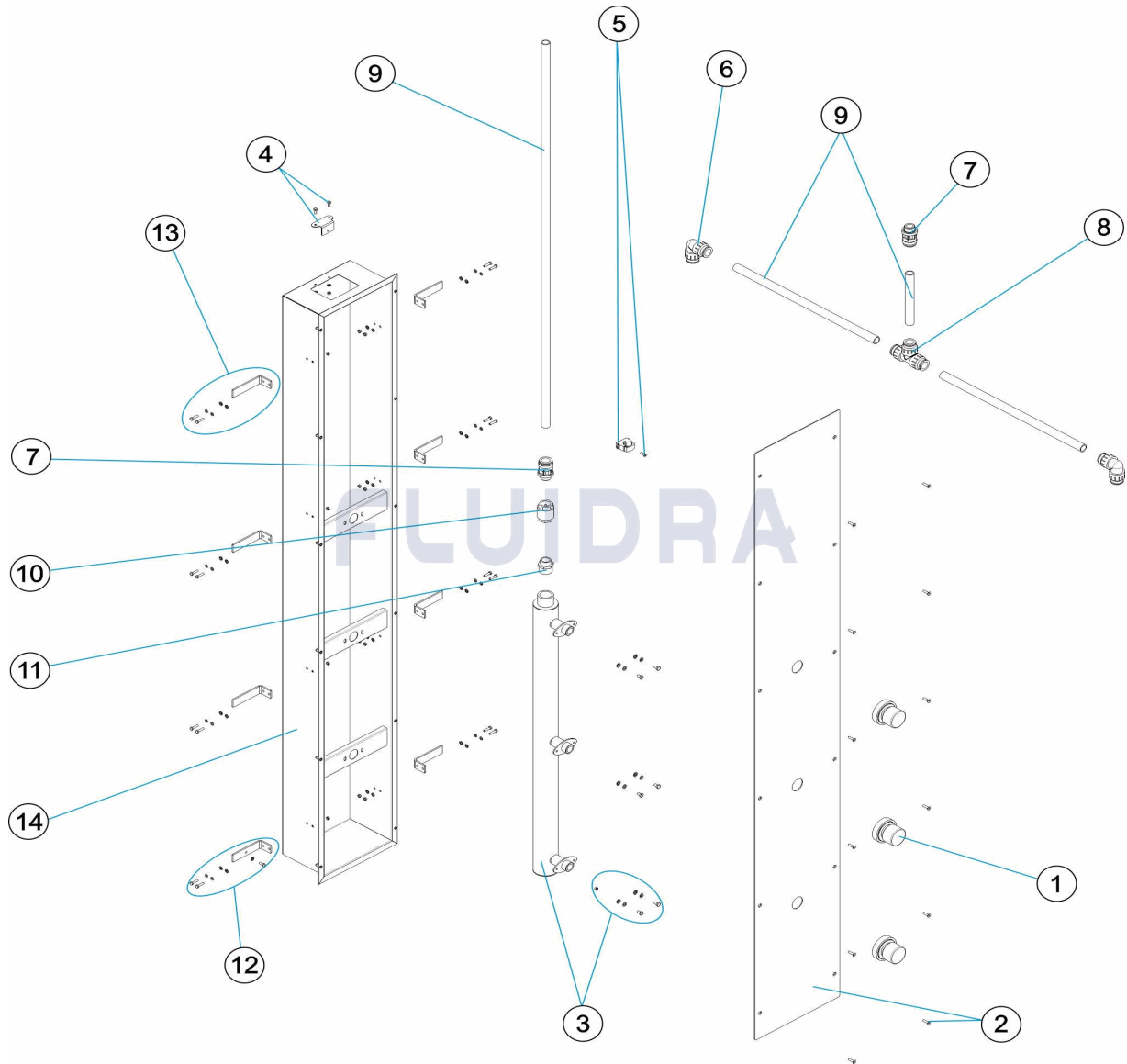


ENGLISH

| POS | CODE | DESCRIPTION | QUANTITY | POS | CODE | DESCRIPTION | QUANTITY |
|-----|------------|--------------------------|----------|-----|------------|--|----------|
| 1 | 4401040156 | 1/2" SHOWER HEA " | | 9 | 4401040125 | B-PEX MULTILAYER TUBING 22 X 3 (1 METF | |
| 2 | 4401040161 | COLUMN TRIM | | 9 | 4401040152 | B-PEX MULTILAYER TUBING 22 X 3 (2 METF | |
| 3 | 4401040162 | COLLECTOR PIPE | | 9 | 4401040153 | B-PEX MULTILAYER TUBING 22 X 3 (3 METF | |
| 4 | 4401040163 | MOUNTING BRACKET | | 10 | 4401040126 | RÜCKHALTEVENTIL YORK 3/4" | |
| 5 | 4401040122 | CLIP D.22 | | 11 | 4401040164 | M-M 3/4-1" REDUCTION SOCKE " | |
| 6 | 4401040159 | D.22 X 1/2" FEMALE BEN " | | 12 | 4401040158 | CORNER ANCHOR FOR GROUND INLET | |
| 7 | 4401040114 | D. 22-3/4" MALE ADAPTOR | | 13 | 4401040160 | CORNER ANCHOR | |
| 8 | 4401040115 | D.22 ELBOW | | 14 | 34058R0110 | COLUMN BODY | |

CODICE 41257

DESCRIZIONE: DOCCIA SCOZZESE

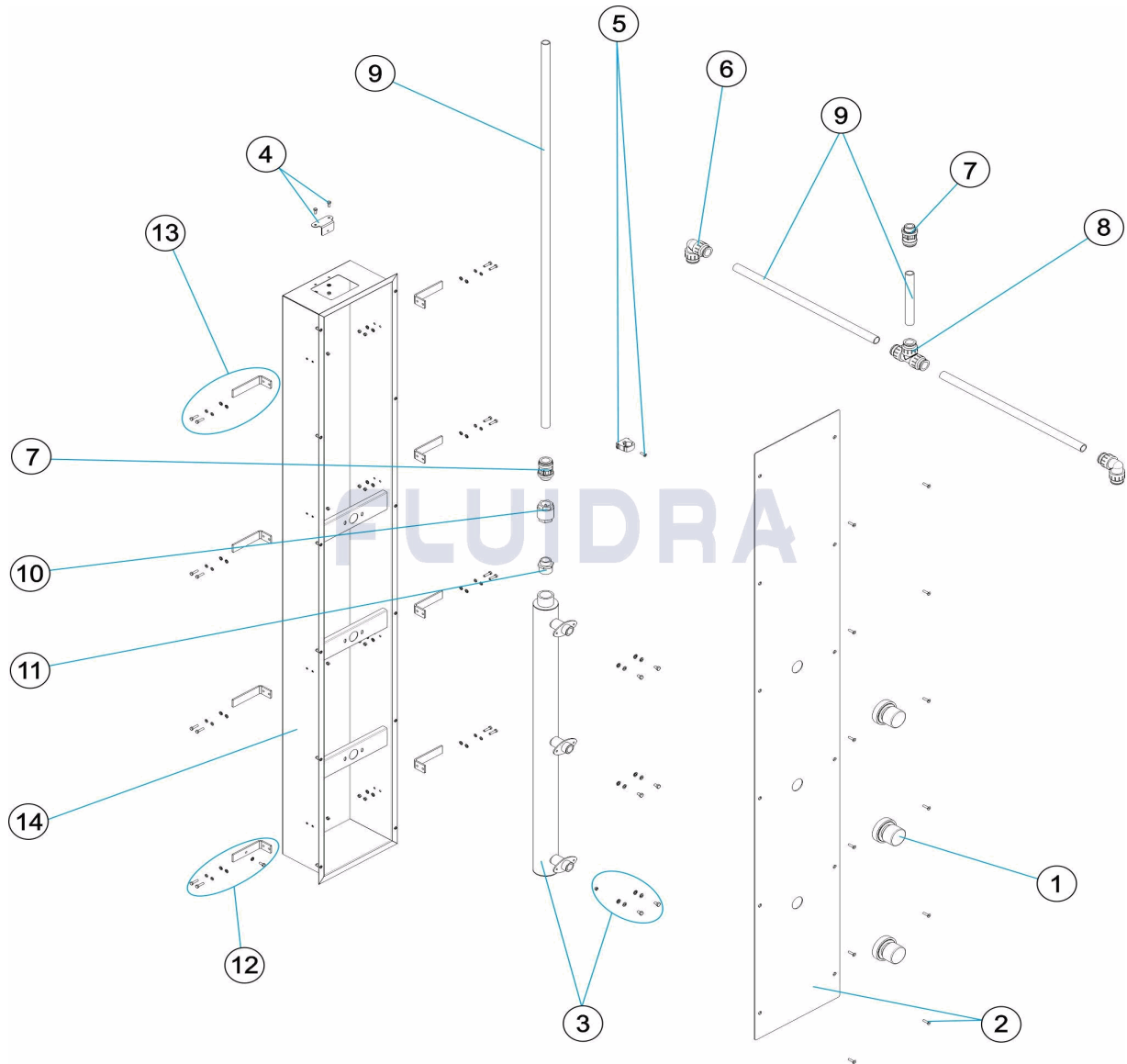


ITALIANO

| POS | CODICE | DESCRIZIONE | QUANTITA' | POS | CODICE | DESCRIZIONE | QUANTITA' |
|-----|------------|------------------------------|-----------|-----|------------|--------------------------------------|-----------|
| 1 | 4401040156 | DIFFUSORE DOCCIA 1/2" | | 9 | 4401040125 | TUYAU MULTICOUCHE B-PEX 22X3 (1 MÈT) | |
| 2 | 4401040161 | RIVESTIMENTO COLONNA | | 9 | 4401040152 | TUYAU MULTICOUCHE B-PEX 22X3 (2 MÈT) | |
| 3 | 4401040162 | TUBO COLLETTORE | | 9 | 4401040153 | TUYAU MULTICOUCHE B-PEX 22X3 (3 MÈT) | |
| 4 | 4401040163 | SUPPORTO A SQUADRA | | 10 | 4401040126 | VALVOLA DI RITEGNO YORK 3/4" | |
| 5 | 4401040122 | CLIP D.22 | | 11 | 4401040164 | RIDUZIONE M-M 3/4-1" | |
| 6 | 4401040159 | FEMMINA A GOMITO D.22X1/2" | | 12 | 4401040158 | ANGOLO ANCORAGGIO PER PRESA A TERI | |
| 7 | 4401040114 | ADATTATORE MASCHIO D.22-3/4" | | 13 | 4401040160 | ANGOLO ANCORAGGIO | |
| 8 | 4401040115 | GOMITO D.22 | | 14 | 34058R0110 | CORPO COLONNA | |

CODE 41257

BESCHREIBUNG: DUSCHE SCHOTTISCH

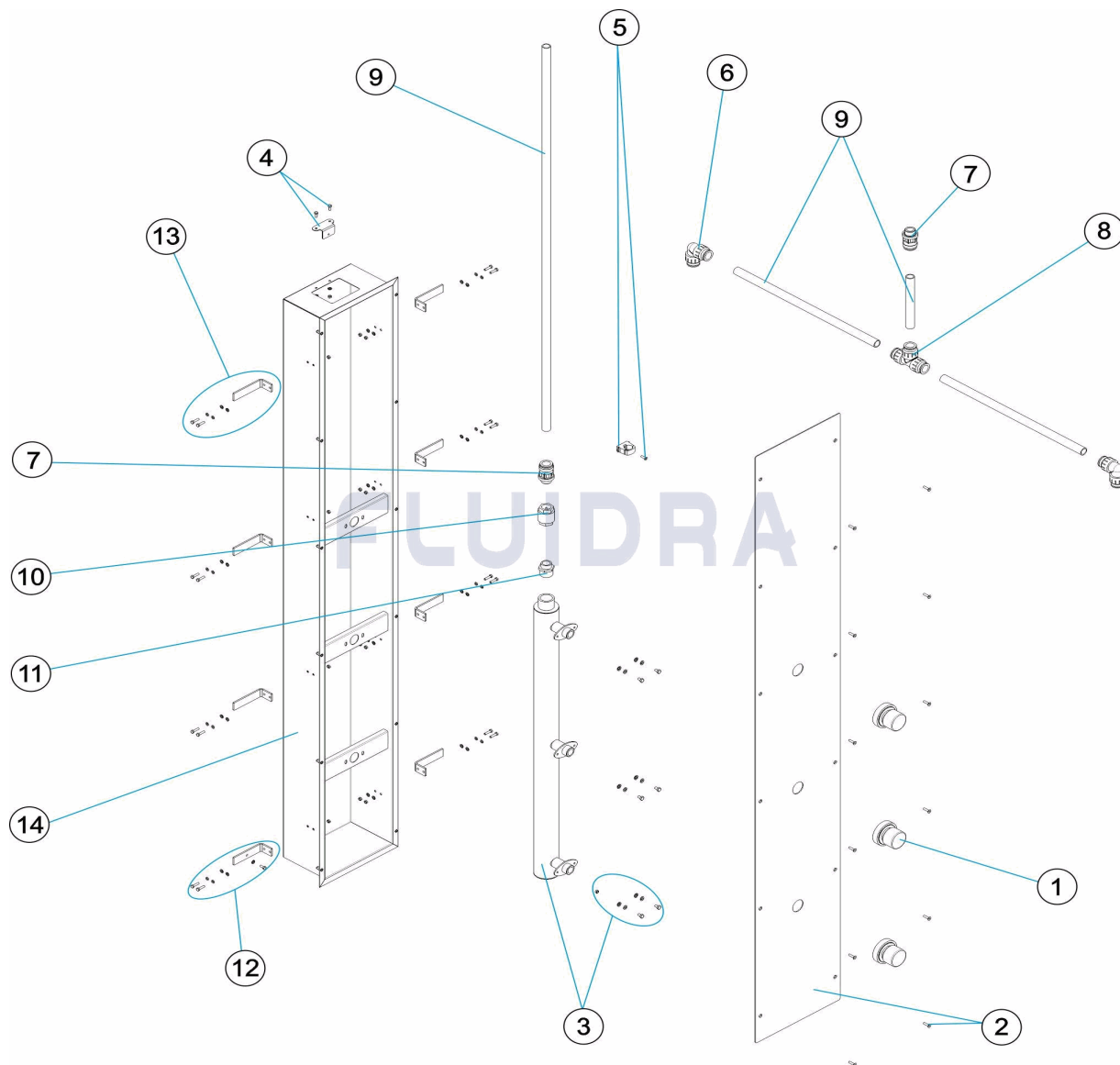


DEUTSCH

| POS | CODE | BESCHREIBUNG | MENGE | POS | CODE | BESCHREIBUNG | MENGE |
|-----|------------|-----------------------------|-------|------------|---|--------------|-------|
| 1 | 4401040156 | DUSCHKOPF SEITLICH 1/2" | 9 | 4401040125 | MEHRSCSCHICHTROHR B - PEX 22 X 3 (1 ME) | | |
| 2 | 4401040161 | BLENDE SÄULE | 9 | 4401040152 | MEHRSCSCHICHTROHR B - PEX 22 X 3 (2 ME) | | |
| 3 | 4401040162 | SAMMELROHR | 9 | 4401040153 | MEHRSCSCHICHTROHR B - PEX 22 X 3 (3 ME) | | |
| 4 | 4401040163 | WINKEL HALTERUNG | 10 | 4401040126 | RÜCKSCHLAGVENTIL YORK 3/4" | | |
| 5 | 4401040122 | CLIP D. 22 | 11 | 4401040164 | REDUZIERSTÜCK M M 3/4 - 1" | | |
| 6 | 4401040159 | WINKEL MUFFE D. 22 X 1/2" | 12 | 4401040158 | VERANKERUNGSWINKEL FÜR ERDUNGSBI | | |
| 7 | 4401040114 | ADAPTERSTECKER D. 22 - 3/4" | 13 | 4401040160 | VERANKERUNGSWINKEL | | |
| 8 | 4401040115 | WINKEL D. 22 | 14 | 34058R0110 | GEHÄUSE SÄULE | | |

CODIGO **41257**

DESCRIÇÃO: **DUCHE ESCOCÊS**



PORTUGUES

| POS | CODIGO | DESCRIÇÃO | JANTIDADE | POS | CODIGO | DESCRIÇÃO | JANTIDADE |
|-----|------------|---------------------------|-----------|-----|------------|--------------------------------------|-----------|
| 1 | 4401040156 | REGADOR CHUVEIRO 1/2" | | 9 | 4401040125 | TUBO MULTICAMADA B-PEX 22X3 (1 METR(| |
| 2 | 4401040161 | PLACA DECORATIVA COLUNA | | 9 | 4401040152 | TUBO MULTICAMADA B-PEX 22X3 (2 METR(| |
| 3 | 4401040162 | TUBO COLETOR | | 9 | 4401040153 | TUBO MULTICAMADA B-PEX 22X3 (3 METR(| |
| 4 | 4401040163 | ESQUADRO SUPORTE | | 10 | 4401040126 | VÁLVULA DE RETENÇÃO YORK 3/4" | |
| 5 | 4401040122 | CLIP D.22 | | 11 | 4401040164 | REDUÇÃO M-M 3/4-1" | |
| 6 | 4401040159 | COTOVELO FÊMEA D.22X1/2" | | 12 | 4401040158 | ÂNGULO ANCORAGEM PARA LIGAÇÃO À TI | |
| 7 | 4401040114 | ADAPTADOR MACHO D.22-3/4" | | 13 | 4401040160 | ÂNGULO ANCORAGEM | |
| 8 | 4401040115 | COTOBELO D.22 | | 14 | 34058R0110 | CORPO COLUMNNA | |