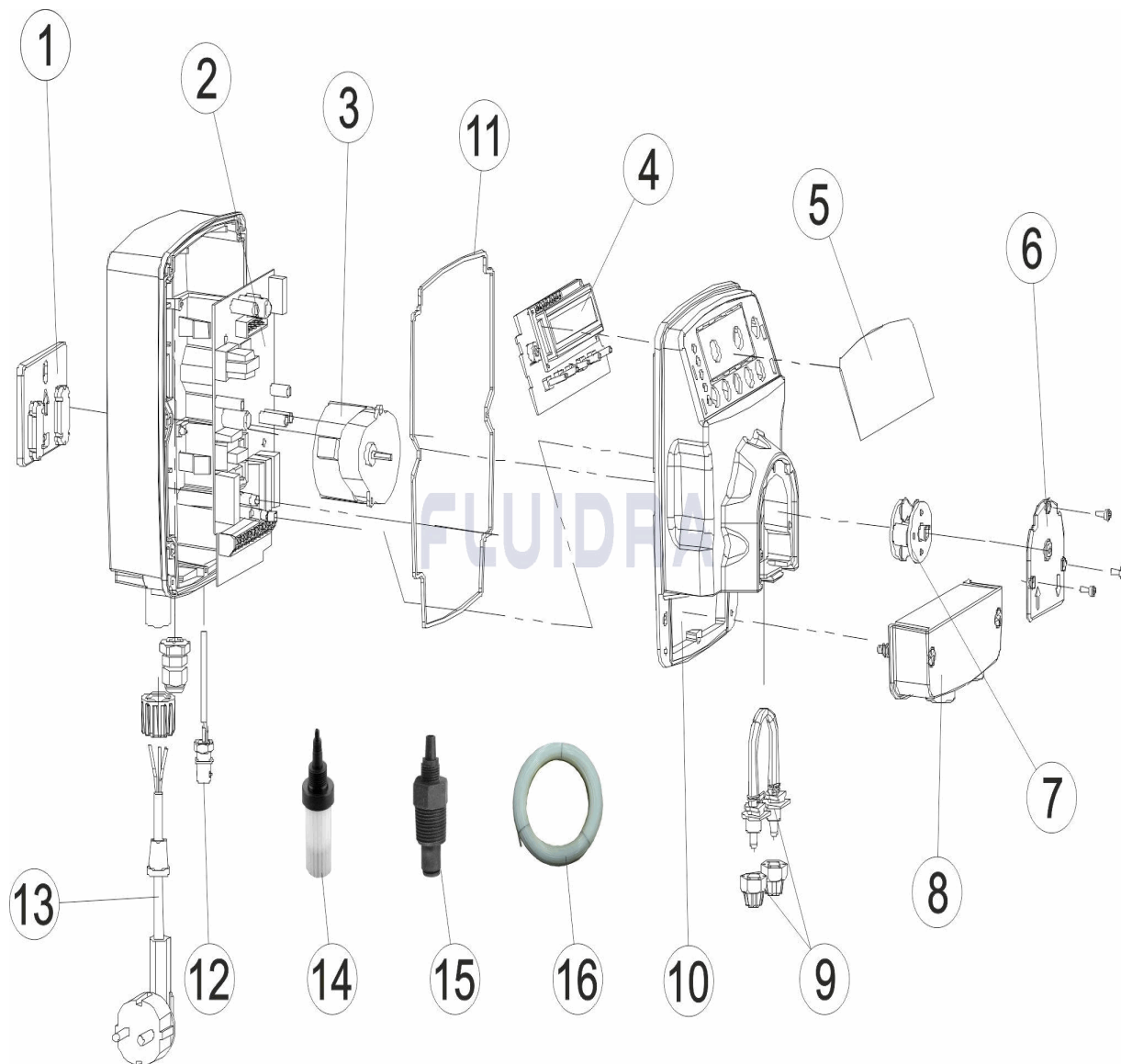


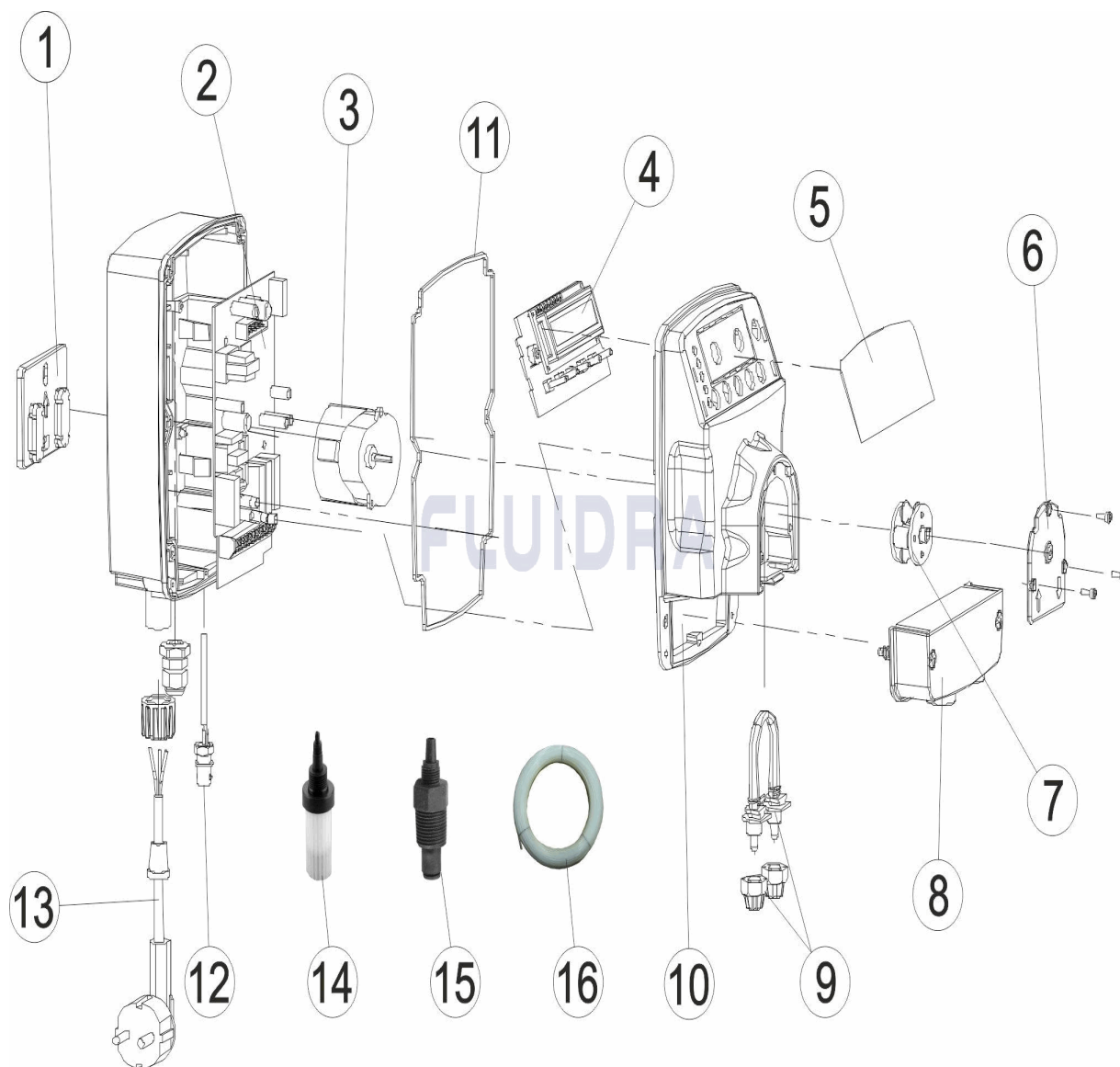
CODIGO **57151**

 DESCRIPCION: **BOMBA DOSIFICADORA MYPPOOL**

ESPAÑOL

POS	CODIGO	DESCRIPCION	CANTIDAD	POS	CODIGO	DESCRIPCION	CANTIDAD
1	CE08030000	SOPORTE PARED		9	CE08030008	TUBO PERISTALTICO SANTOPRENO 4X7 CI	
2	CE08030001	PLACA ELECTRONICA CONTROL		10	CE08030009	TAPA BOMBA	
3	CE08030002	MOTOR PERISTALTICA		11	CE08030010	JUNTA TAPA	
4	CE08030003	PLACA ELECTRONICA VISUALIZADORA		12	CE08030011	CONECTOR HEMBRA BCN	
5	CE08030004	SERIGRAFIA BOMBA		13	CE08031221	CABLE ALIMENTACION	
6	CE08030005	TAPA FRONTAL		14	CE08030123	FILTRO ASPIRACION COMPLETO	
7	CE08030058	ROTOR COMPLETO 2 L/H.		15	CE08030121	VALVULA INYECCION COMPLETA	
8	CE08030007	TAPA CONEXION BOMBA		16	CE08030122	TUBO ASPIRACION/IMPULSION	

CODE 57151

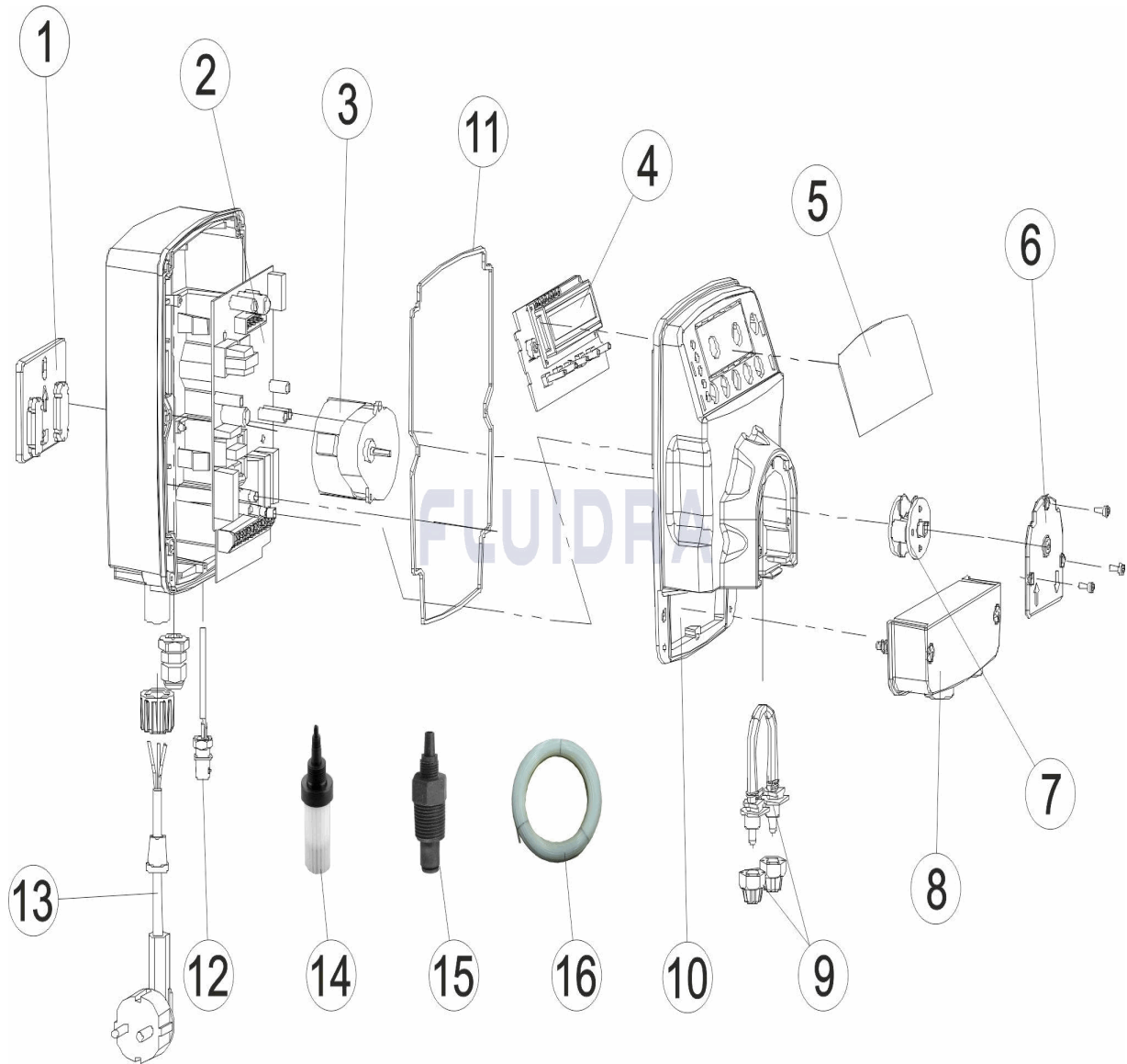
DESCRIPTION: POMPE DOSEUSE MYPOOL


FRANCAIS

POS	CODE	DESCRIPTION	QUANTITE	POS	CODE	DESCRIPTION	QUANTITE
1	CE08030000	SUPPORT MURAL		9	CE08030008	TUBE SANTOPRENE 4X7 CM11.0 SAN	
2	CE08030001	PLAQUE ÉLECTRONIQUE CONTRÔLE		10	CE08030009	CACHE POMPE	
3	CE08030002	MOTEUR PÉRISTALTIQUE		11	CE08030010	JOINT DE COUVERCLE	
4	CE08030003	PLAQUE ÉLECTRONIQUE DE VISUALISATION		12	CE08030011	CONNECTEUR	
5	CE08030004	SÉRIGRAPHIE POMPE		13	CE08031221	CABLE ALIMENTATION	
6	CE08030005	COUVERCLE FRONTAL		14	CE08030123	FILTRE ASPIRATION COMPLETE	
7	CE08030058	ROTEUR COMPLET 2 L/H.		15	CE08030121	VANNE INJECTION COMPLETE	
8	CE08030007	CACHE CONNEXION POMPE		16	CE08030122	TUBE ASPIRATION/IMPULSION	

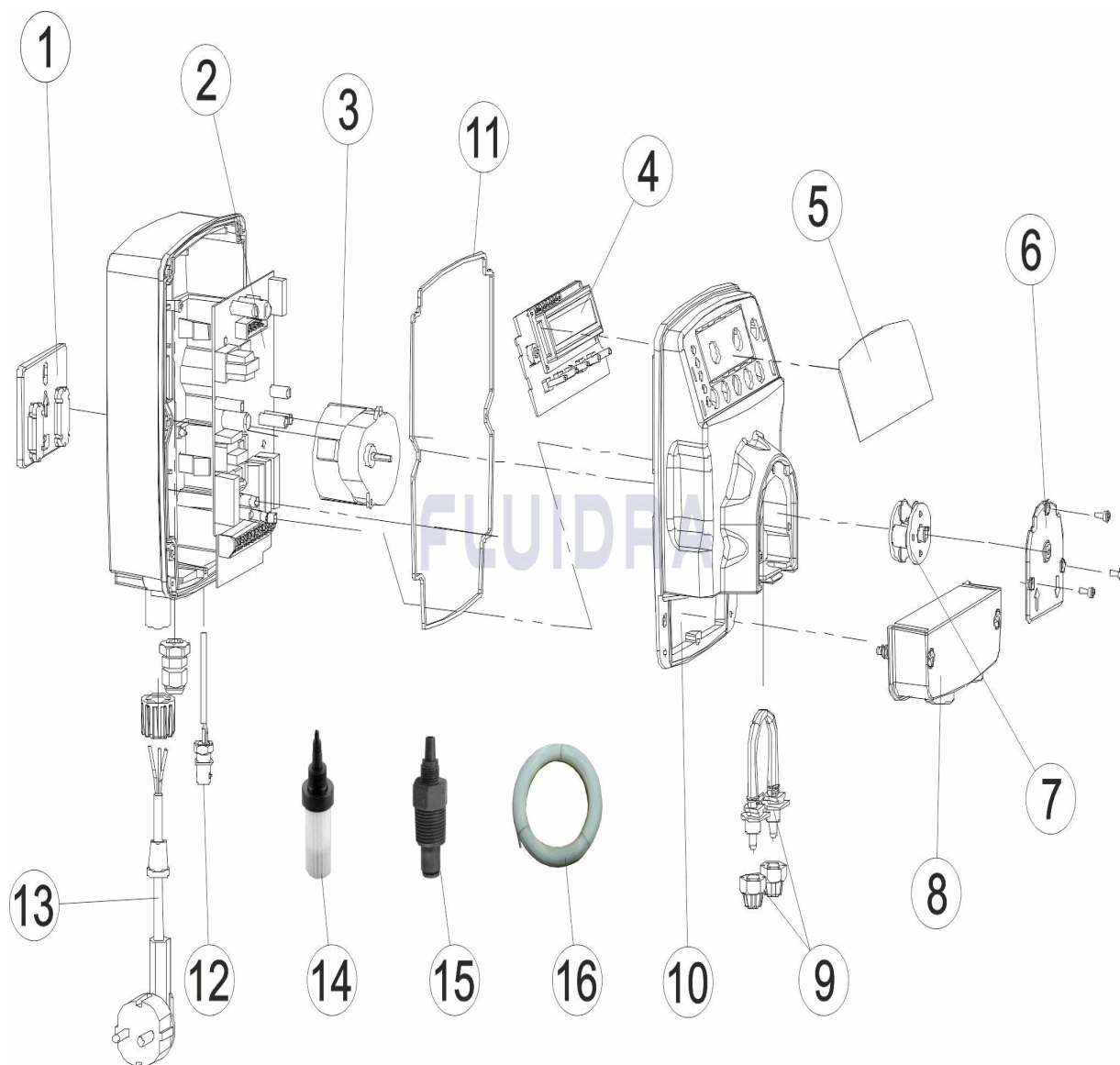
CODE 57151

DESCRIPTION: DOSING PUMP MYPPOOL


ENGLISH

POS	CODE	DESCRIPTION	QUANTITY	POS	CODE	DESCRIPTION	QUANTITY
1	CE08030000	WALL BRACKET		9	CE08030008	SANTOPRENE TUBE 4X7 CM11.0 SAN	
2	CE08030001	ELECTRONIC CONTROL PLATE		10	CE08030009	PUMP COVER	
3	CE08030002	PERISTALTIC MOTOR		11	CE08030010	LID GASKET	
4	CE08030003	ELECTRONIC VIEWING PLATE		12	CE08030011	CONNECTOR	
5	CE08030004	PUMP LABEL		13	CE08031221	SUPPLY CABLE	
6	CE08030005	FRONT COVER		14	CE08030123	FILTER ASSEMBLY	
7	CE08030058	ROTOR ASSEMBLY 2 L/H.		15	CE08030121	INJECTOR VALVE ASSEMBLY	
8	CE08030007	PUMP CONNECTION COVER		16	CE08030122	SUCTION/RETURN TUBE	

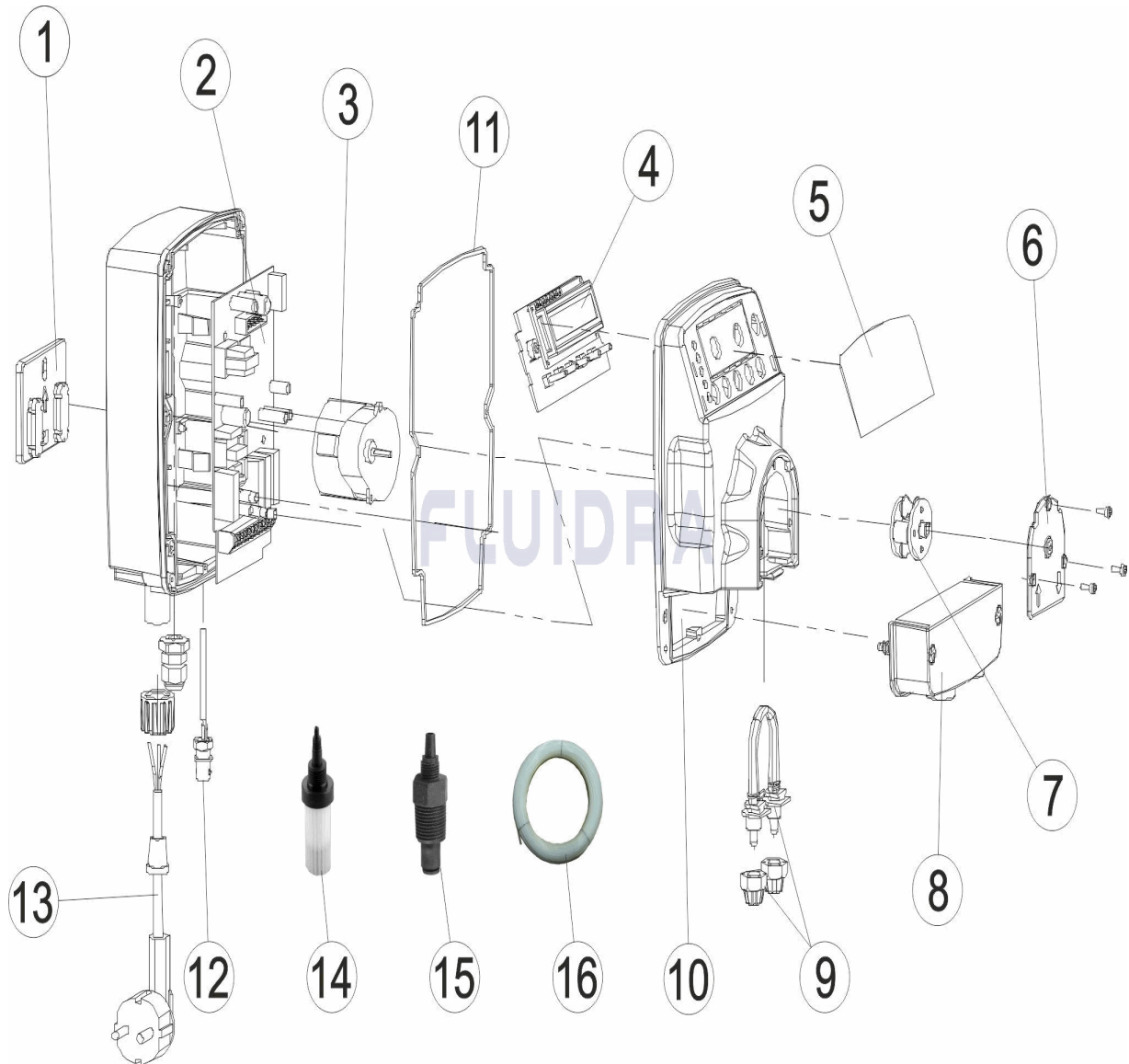
CODICE **57151**

 DESCRIZIONE: **POMPA DOSIFICATRICE MYPPOOL**

ITALIANO

POS	CODICE	DESCRIZIONE	QUANTITA'	POS	CODICE	DESCRIZIONE	QUANTITA'
1	CE08030000	SUPPORTO PARETE		9	CE08030008	TUBO SANTOPRENE 4X7 CM11.0 SAN	
2	CE08030001	SCHEDA ELETTRONICA CONTROLLO		10	CE08030009	COPERCHIO POMPA	
3	CE08030002	MOTORE PERISTALTICA		11	CE08030010	GUARNIZIONE COPERCHIO	
4	CE08030003	SCHEDA ELETTRONICA VISUALIZZATRICE		12	CE08030011	CONNECTOR	
5	CE08030004	SERIGRAFIA POMPA		13	CE08031221	CAVO DI ALIMENTAZIONE	
6	CE08030005	COPERCHIO FRONTALE		14	CE08030123	FILTRO ASPIRAZIONE COMPLETO	
7	CE08030058	ROTORE COMPLETO 2 L/H.		15	CE08030121	VALVOLA INIEZIONE COMPLETA	
8	CE08030007	COPERCHIO CONNESSIONE POMPA		16	CE08030122	TUBO DI ASPIRAZIONE/ MANDATA	

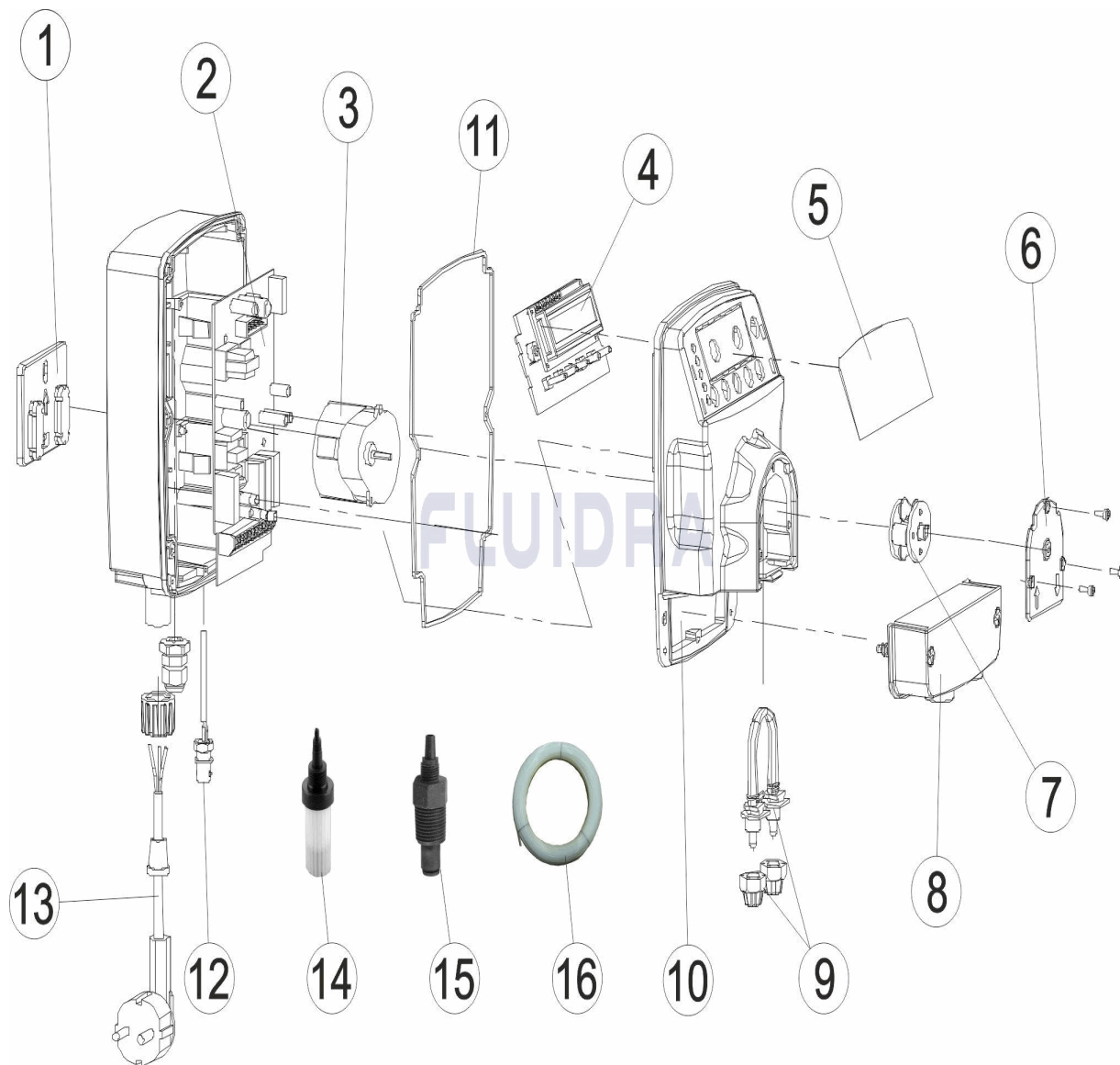
CODE 57151

BESCHREIBUNG: DOSIERPUMPE MYPOOL


DEUTSCH

POS	CODE	BESCHREIBUNG	MENGE	POS	CODE	BESCHREIBUNG	MENGE
1	CE08030000	WANDHALTERUNG		9	CE08030008	PERESTALTIKROHR SANTOPRENO 4 X 7 CI	
2	CE08030001	ELEKTRONISCHE PLATINE STEUERUNG		10	CE08030009	ABDECKUNG PUMPE	
3	CE08030002	MOTOR PERISTALTIKpumpe		11	CE08030010	DICHTUNG ABDECKUNG	
4	CE08030003	ANZEIGEPLATINE		12	CE08030011	ANSCHLUSSMUFFE BCN	
5	CE08030004	BESCHRIFTUNG PUMPE		13	CE08031221	VERSORGUNGSKABEL	
6	CE08030005	FRONTDECKEL		14	CE08030123	SAUGFILTER KOMPLETT	
7	CE08030058	ROTOR KOMPLETT 2 L/H.		15	CE08030121	INJEKTORVENTIL KOMPLETT	
8	CE08030007	ABDECKUNG ANSCHLUSS PUMPE		16	CE08030122	ROHR SAUG/DRUCK	

CODIGO **57151**

 DESCRIÇÃO: **BOMBA DOSEADORA MYPOOL**

PORTUGUES

POS	CODIGO	DESCRIÇÃO	JANTIDADE	POS	CODIGO	DESCRIÇÃO	JANTIDADE
1	CE08030000	SUPORTE PAREDE		9	CE08030008	TUBO DE SANTOPRENE 4X7 CM11.0 SAN	
2	CE08030001	PLACA ELETRÓNICA CONTROLO		10	CE08030009	TAMPA BOMBA	
3	CE08030002	MOTOR PERISTÁLTICA		11	CE08030010	JUNTA TAMPA	
4	CE08030003	PLACA ELETRÓNICA VISUALIZADORA		12	CE08030011	LIGAÇÃO FÊMEA BCN.	
5	CE08030004	SERIGRAFIA BOMBA		13	CE08031221	CABO ALIMENTAÇÃO	
6	CE08030005	TAMPA FRONTAL		14	CE08030123	FILTRO ASPIRAÇÃO COMPLETO	
7	CE08030058	ROTOR COMPLETO 2 L/H.		15	CE08030121	INJECTOR COMPLETO	
8	CE08030007	TAMPA LIGAÇÃO BOMBA		16	CE08030122	TUBO ASPIRAÇÃO/IMPULSÃO	