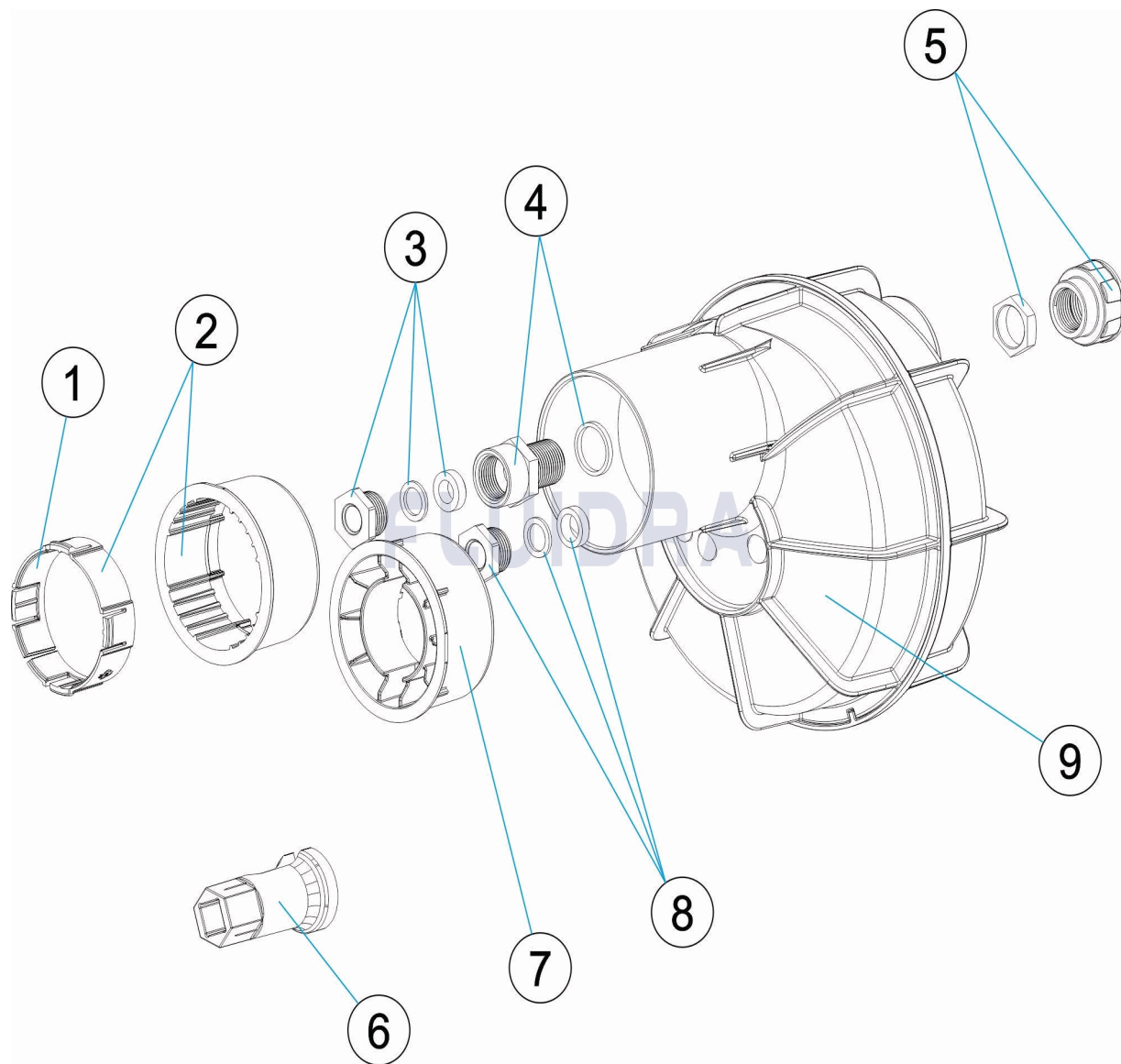


CODIGO **53956**

DESCRIPCION: **NICHO PROYECTOR MINI PISCINA HORMIGON**

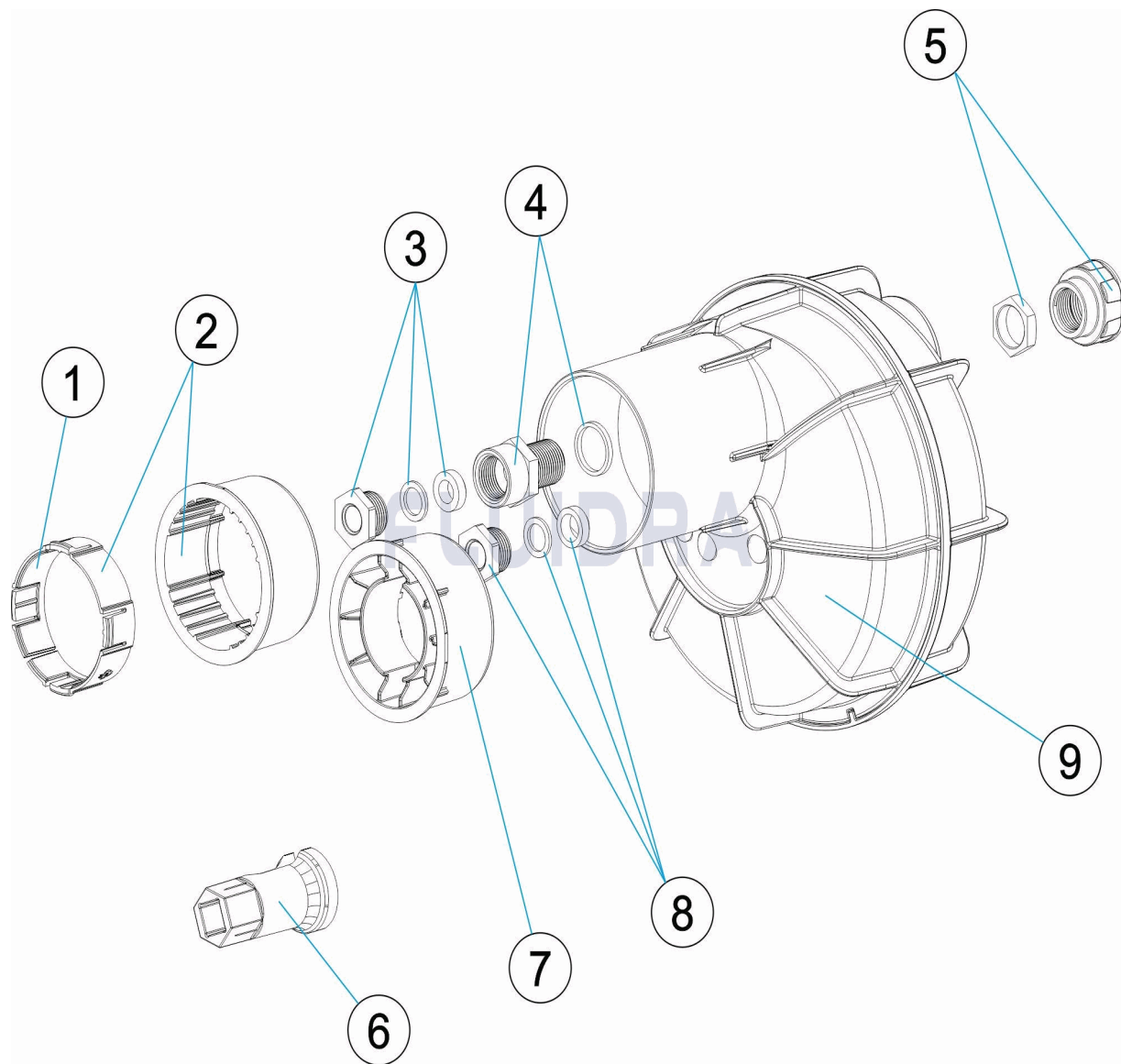


ESPAÑOL

| POS | CODIGO | DESCRIPCION | CANTIDAD | POS | CODIGO | DESCRIPCION | CANTIDAD |
|-----|------------|---|----------|-----|------------|-------------------------------------|----------|
| 1 | 4403010036 | ANILLO FIJACION NICHO PROYECTOR MIN | | 6 | 4403010037 | LLAVE PRENSAESTOPAS | |
| 2 | 4403010035 | CJTO. ANILLO FIJACION NICHO MINI PIS. F | | 7 | 4403010090 | ANILLO NICHO PROYECTOR MINI | |
| 3 | 4403010107 | PRENSAESTOPAS PANTALLA | | 8 | 4403014706 | PRENSAESTOPAS PROYECTOR PG-11 | |
| 4 | 4403014102 | CUERPO PASACABLES PROYECTOR MINI | | 9 | 53956R0100 | NICHO PROYECTOR MINI PISCINA HORMIG | |
| 5 | 4403014104 | ADAPTADOR PG-11 A M-25 | | | | | |

CODE **53956**

DESCRIPTION: **NICHE PROJECTEUR MINI PISCINE BÉTON**

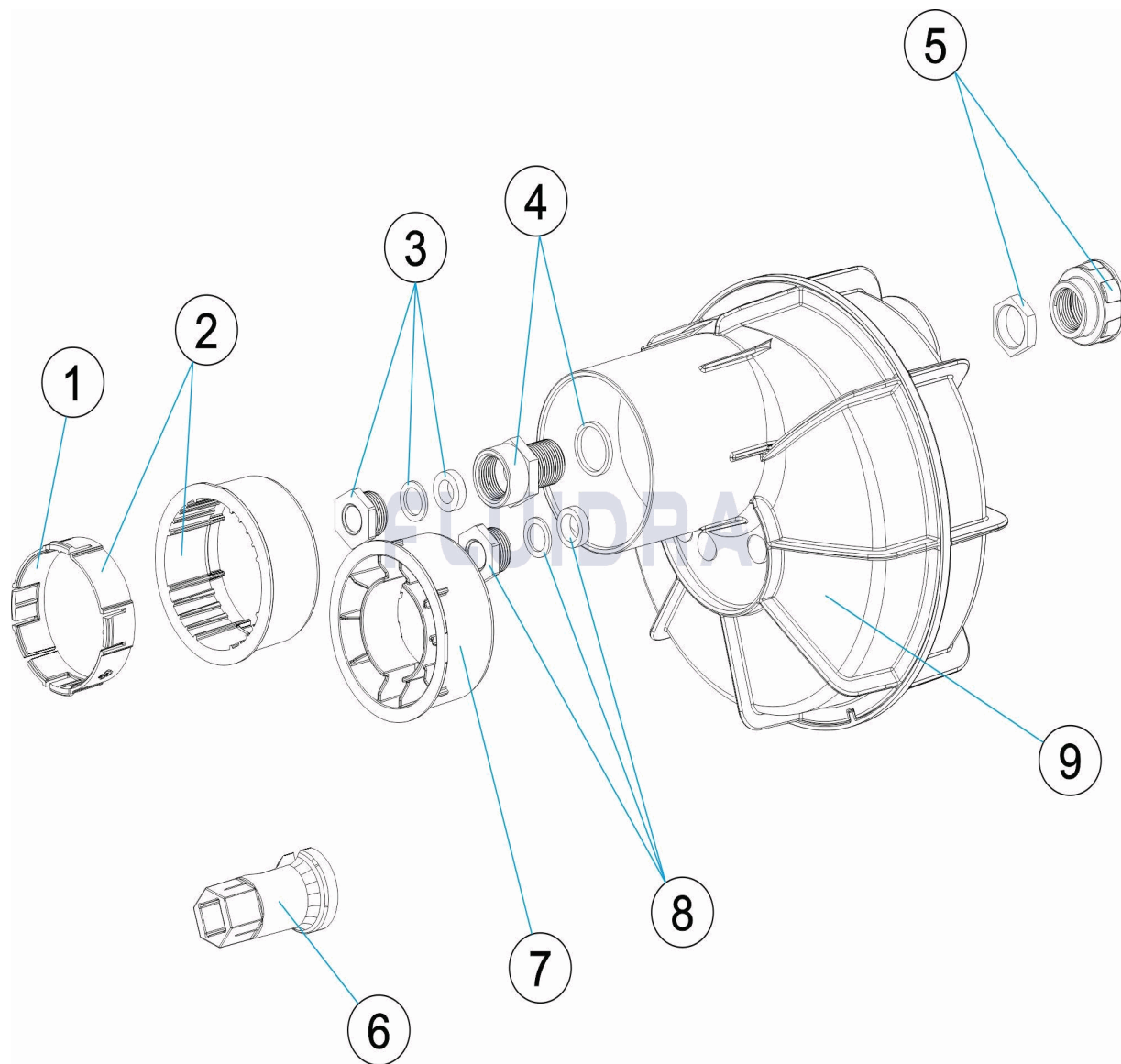


FRANCAIS

| POS | CODE | DESCRIPTION | QUANTITE | POS | CODE | DESCRIPTION | QUANTITE |
|-----|------------|---------------------------------------|----------|-----|------------|-------------------------------------|----------|
| 1 | 4403010036 | ANNEAU FIXATION NICHE PROJECTEUR M | | 6 | 4403010037 | CLÉ PRESSE-ÉTOUPE | |
| 2 | 4403010035 | ENS. ANNEAU FIXATION NICHE MINI PISC. | | 7 | 4403010090 | ANNEAU NICHE PROJECTEUR MINI | |
| 3 | 4403010107 | PRESSE-ETOUPE | | 8 | 4403014706 | PRESSE-ETOUPE PROJECTEUR PG-11 | |
| 4 | 4403014102 | CORPS DE PASSE CABLE PROJECTEUR M | | 9 | 53956R0100 | NICHE PROJECTEUR MINI PISCINE BÉTON | |
| 5 | 4403014104 | ADAPTATEUR PG-11 A M-25 | | | | | |

CODE **53956**

DESCRIPTION: **MINI LIGHT NICHE FOR CONCRETE POOL**

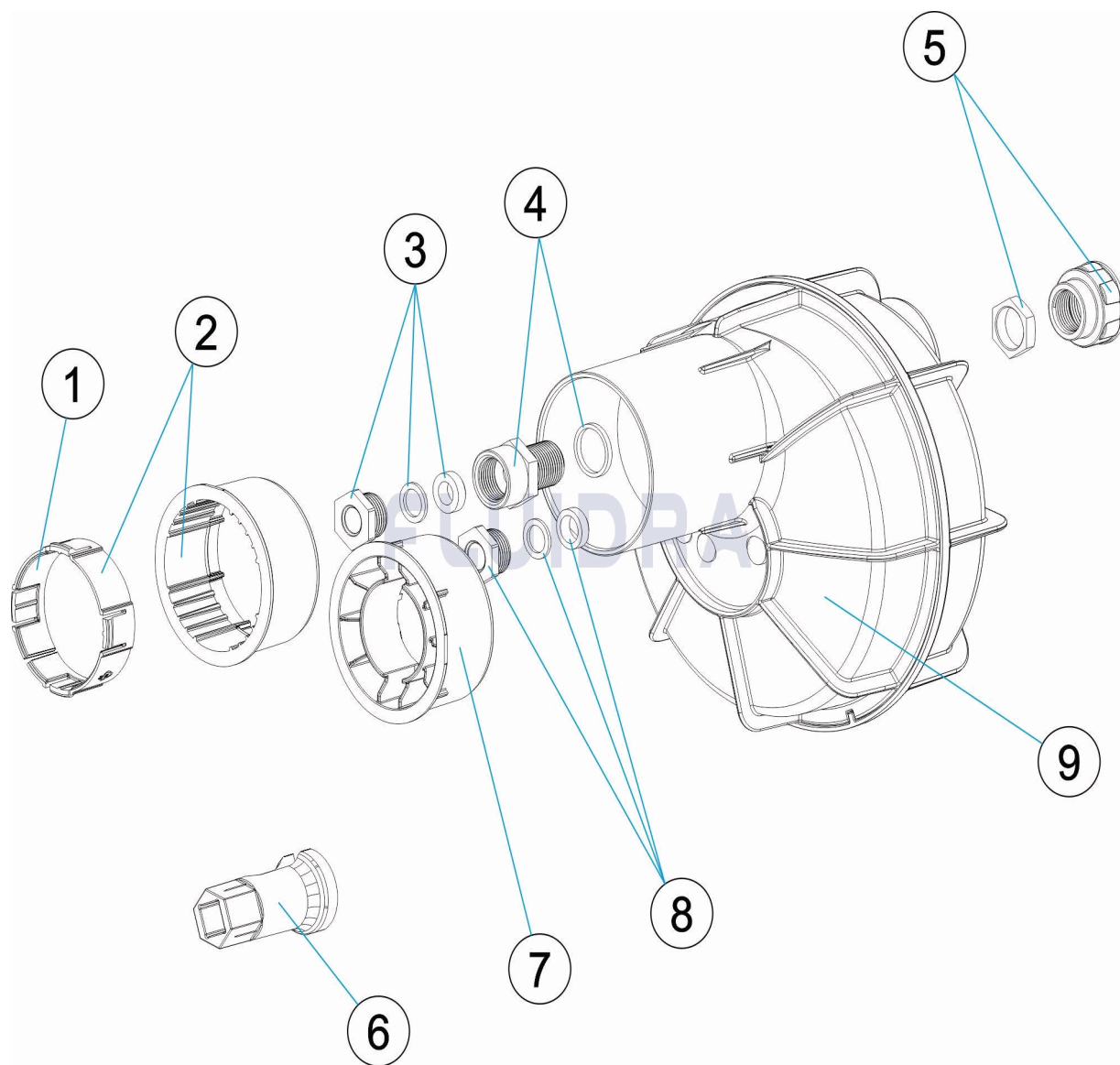


ENGLISH

| POS | CODE | DESCRIPTION | QUANTITY | POS | CODE | DESCRIPTION | QUANTITY |
|-----|------------|-------------------------------------|----------|-----|------------|--------------------------------------|----------|
| 1 | 4403010036 | FIXING RING FOR MINI LIGHT NICHE | | 6 | 4403010037 | PACKING GLAND KEY | |
| 2 | 4403010035 | FIXING RING SET FOR CONCRETE POOL I | | 7 | 4403010090 | RING FOR MINI LIGHT NICHE | |
| 3 | 4403010107 | LIGHT PACKING GLAND | | 8 | 4403014706 | LIGHT PACKING GLAND PG-11 | |
| 4 | 4403014102 | BODY CABLE CONDUIT UWL MINI | | 9 | 53956R0100 | MINI LIGHT NICHE FOR CONCRETE POOL C | |
| 5 | 4403014104 | ADAPTOR PG-11 TO M-25 | | | | | |

CODICE **53956**

DESCRIZIONE: **NICCHIA PROIETTORE MINI PISCINA CEMENTO**

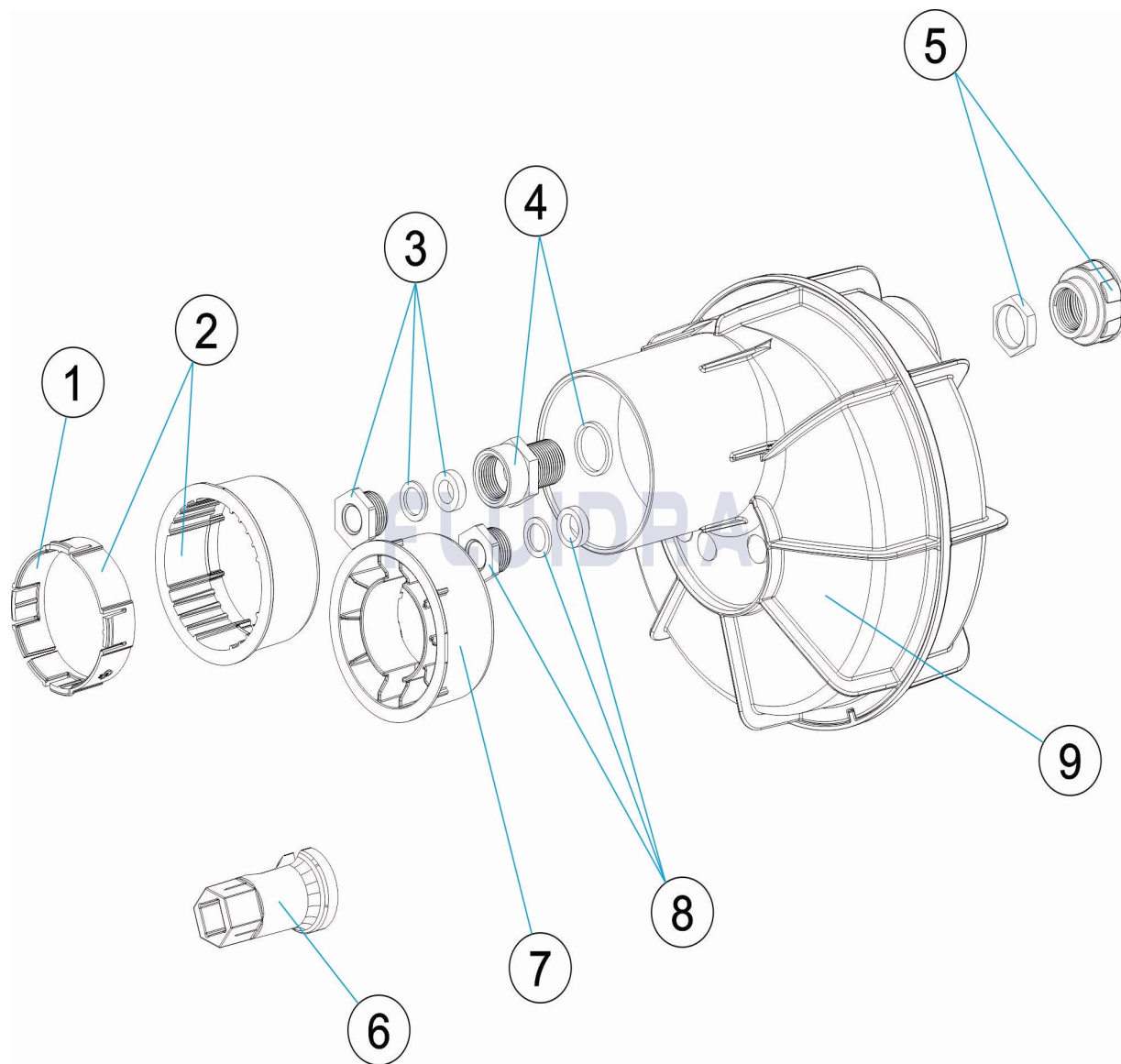


ITALIANO

| POS | CODICE | DESCRIZIONE | QUANTITA' | POS | CODICE | DESCRIZIONE | QUANTITA' |
|-----|------------|--------------------------------------|-----------|-----|------------|--------------------------------------|-----------|
| 1 | 4403010036 | ANELLO FISSAGGIO NICCHIA PROIETTORI | | 6 | 4403010037 | CHIAVE PRESSASTOPPE | |
| 2 | 4403010035 | INSIEME ANELLO FISSAGGIO NICCHIA MIN | | 7 | 4403010090 | ANELLO NICCHIA PROIETTORE MINI | |
| 3 | 4403010107 | PRESSACAVI SCHERMO | | 8 | 4403014706 | PRESSACAVI FARO PG-11 | |
| 4 | 4403014102 | CORPO PRESSACAVO FARO MINI | | 9 | 53956R0100 | NICCHIA PROIETTORE MINI PISCINA CEME | |
| 5 | 4403014104 | ADATTATORE PG-11 A M-25 | | | | | |

CODE **53956**

BESCHREIBUNG: **EINBAUTOPF UWS MINI BETONBECKEN**

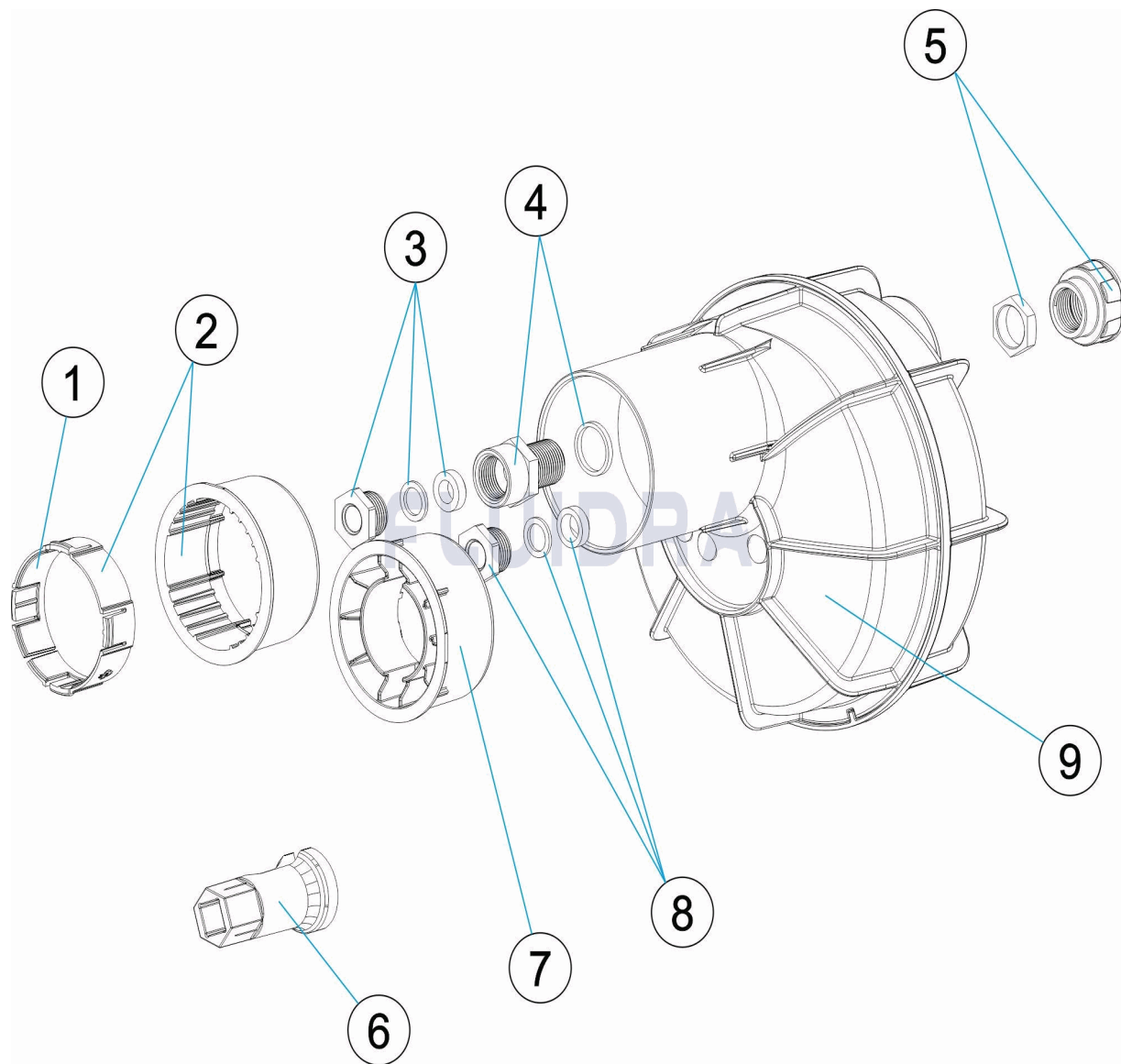


DEUTSCH

| POS | CODE | BESCHREIBUNG | MENGE | POS | CODE | BESCHREIBUNG | MENGE |
|-----|------------|--------------------------------------|-------|-----|------------|------------------------------------|-------|
| 1 | 4403010036 | FIXIERRING EINBAUTOPF MINI-UWS | | 6 | 4403010037 | SCHLÜSSEL QUETSCHVERSCHRAUBUNG | |
| 2 | 4403010035 | SET FIXIERRING EINBAUTOPF MINI BETON | | 7 | 4403010090 | RING EINBAUTOPF MINI-UWS | |
| 3 | 4403010107 | QUETSCHVERSCHRAUBUNG | | 8 | 4403014706 | QUETSCHVERSCHRAUBUNG UWS PG11 | |
| 4 | 4403014102 | GEHÄUSE KABELDURCHFÜHRUNG MINI-U | | 9 | 53956R0100 | EINBAUTOPF MINI-UWS BETONBECKEN GE | |
| 5 | 4403014104 | ADAPTER PG11 ZU M-25 | | | | | |

CODIGO **53956**

DESCRIÇÃO: **NICHO PROJETOR MINI PISCINA BETÃO**



PORTUGUES

| POS | CODIGO | DESCRIÇÃO | JANTIDADE | POS | CODIGO | DESCRIÇÃO | JANTIDADE |
|-----|------------|---------------------------------------|-----------|-----|------------|--------------------------------------|-----------|
| 1 | 4403010036 | ANEL FIXAÇÃO NICHO PROJETOR MINI | | 6 | 4403010037 | CHAVE PRENSA-ESTOPAS | |
| 2 | 4403010035 | CJTO. ANEL FIXAÇÃO NICHO MINI PIS. BE | | 7 | 4403010090 | ANEL NICHO PROJETOR MINI | |
| 3 | 4403010107 | BUCIN LENTE | | 8 | 4403014706 | PRENSAESTOPAS PROJECTOR PG-11 | |
| 4 | 4403014102 | CORPO PASSACABOS PROJ. MINI | | 9 | 53956R0100 | NICHO PROJETOR MINI PISCINA BETÃO CC | |
| 5 | 4403014104 | ADAPTADOR PG-11 A M-25 | | | | | |