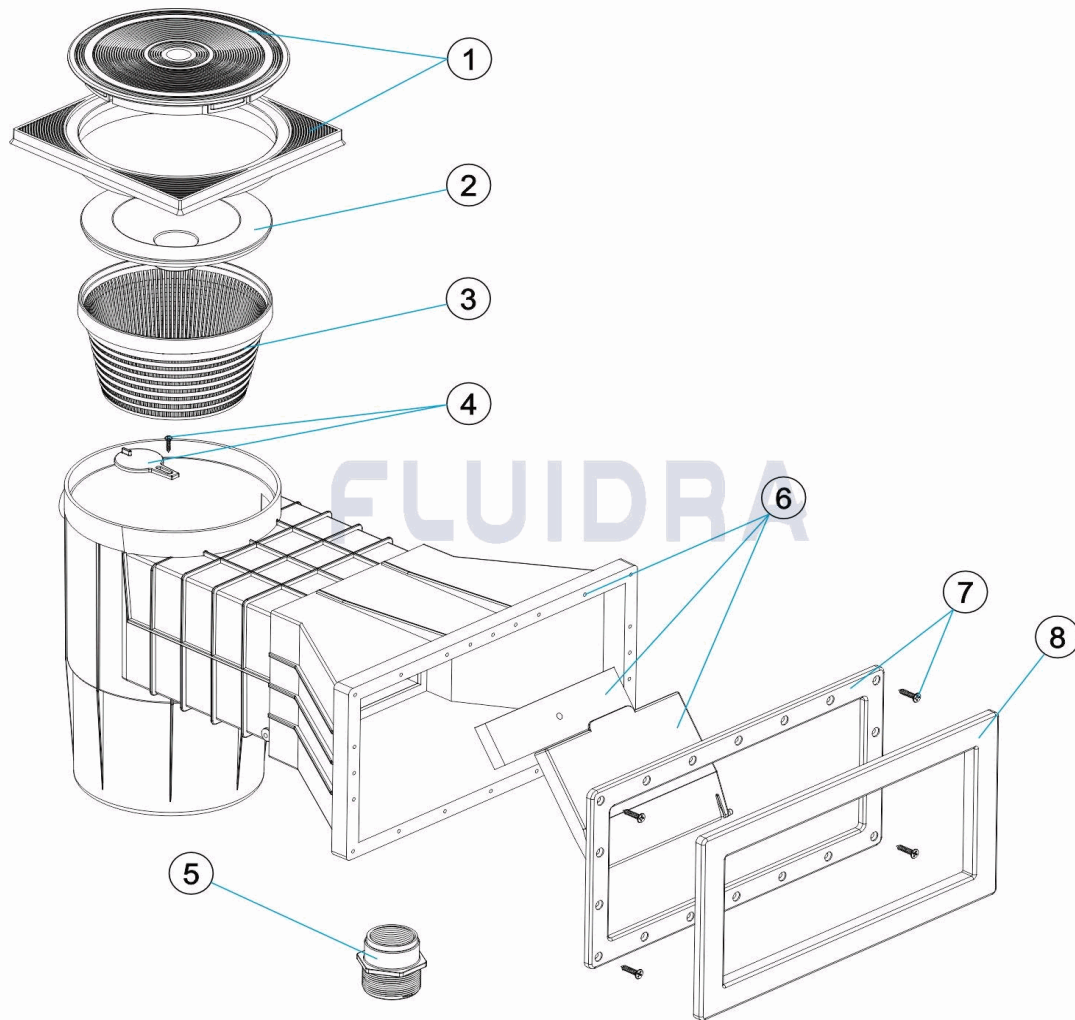
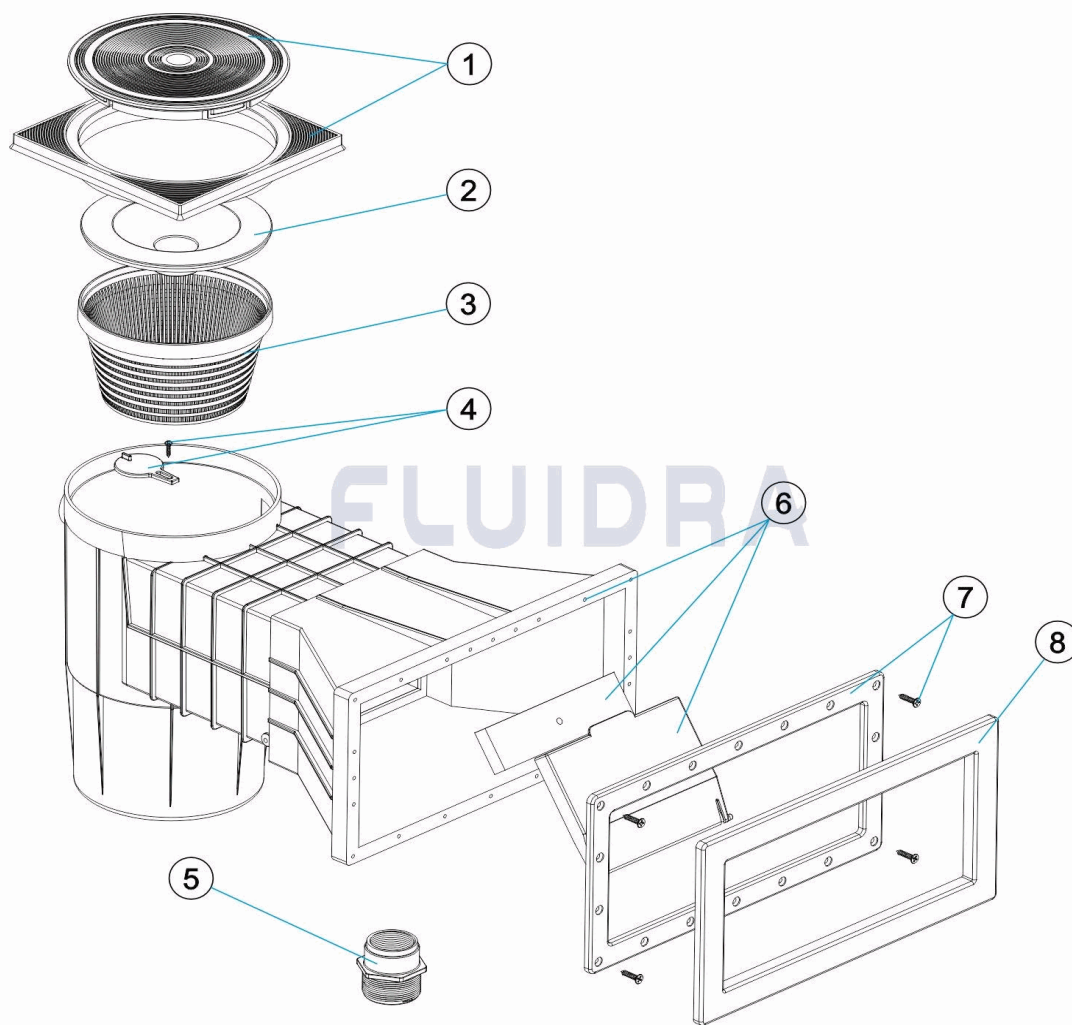


CODIGO **A-002**

 DESCRIPCION: **SKIMMER PH BOCA CONICA**

ESPAÑOL

POS	CODIGO	DESCRIPCION	CANTIDAD	POS	CODIGO	DESCRIPCION	CANTIDAD
1	SP-02-0042	MARCO CUADRADO Y TAPA		5	SP-02-0049	MACHON SKIMMER ROSCADO	
2	SP-02-0043	TAPA ASPIRACION SKIMMER		6	SP-02-0123	COMPUERTA SKIMMER	
3	SP-02-0050	CESTO SKIMMER		7	SP-02-0046	BRIDA BOCA CON TORNILLOS	
4	SP-02-0044	CLAPETA SKIMMER		8	SP-02-0047	EMBELLECEDOR SKIMMER	

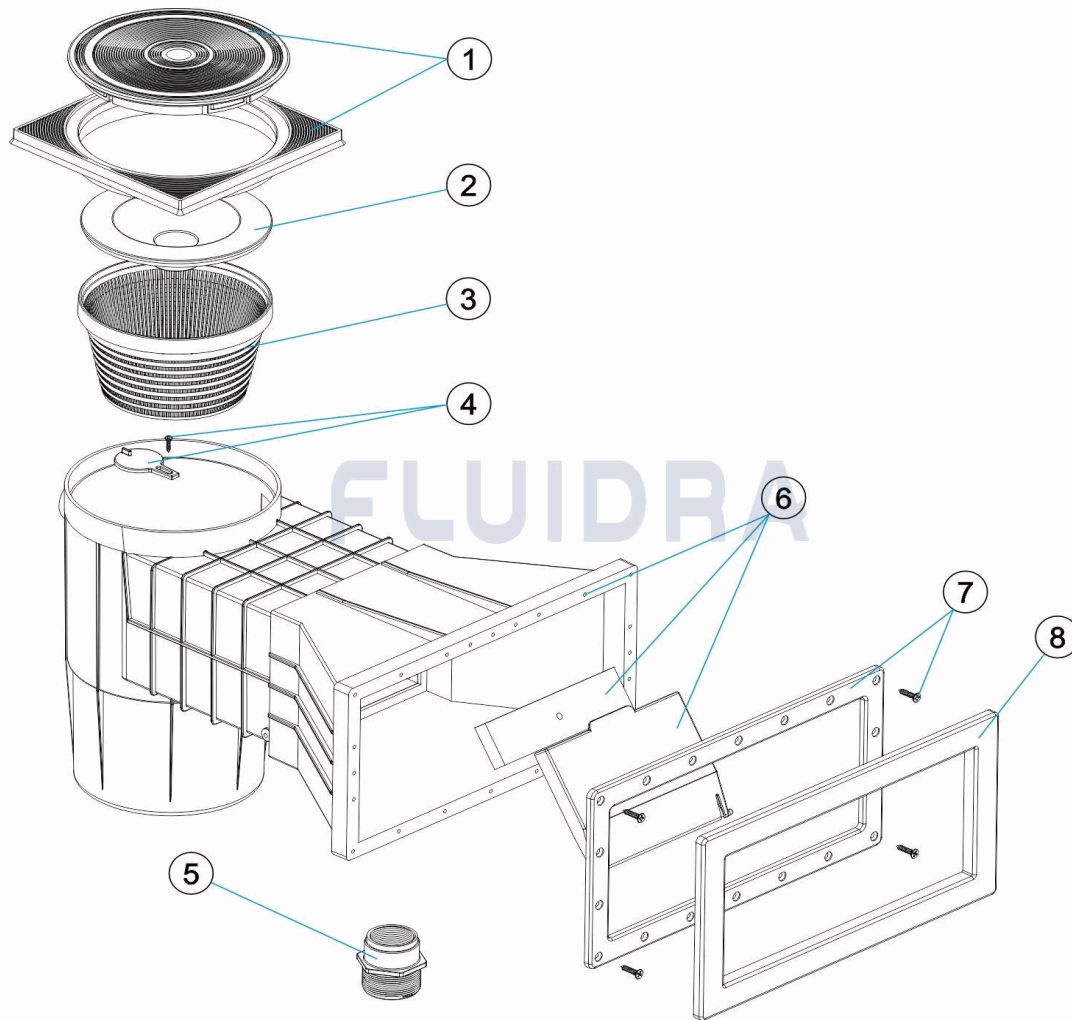
CODE **A-002**

 DESCRIPTION: **SKIMMER PH OUVERTURE CONIQUE**

FRANCAIS

POS	CODE	DESCRIPTION	QUANTITE	POS	CODE	DESCRIPTION	QUANTITE
1	SP-02-0042	CADRE ET COUVERCLE ROND		5	SP-02-0049	MANCHON	
2	SP-02-0043	COUVERCLE ASPIRATION SKIMMER		6	SP-02-0123	COLET DE SKIMMER	
3	SP-02-0050	PANIER SKIMMER		7	SP-02-0046	BRIDE BOUCHE ET VIS	
4	SP-02-0044	CLAPET SKIMMER		8	SP-02-0047	ENJOLIVEUR SKIMMER	

CODE **A-002**

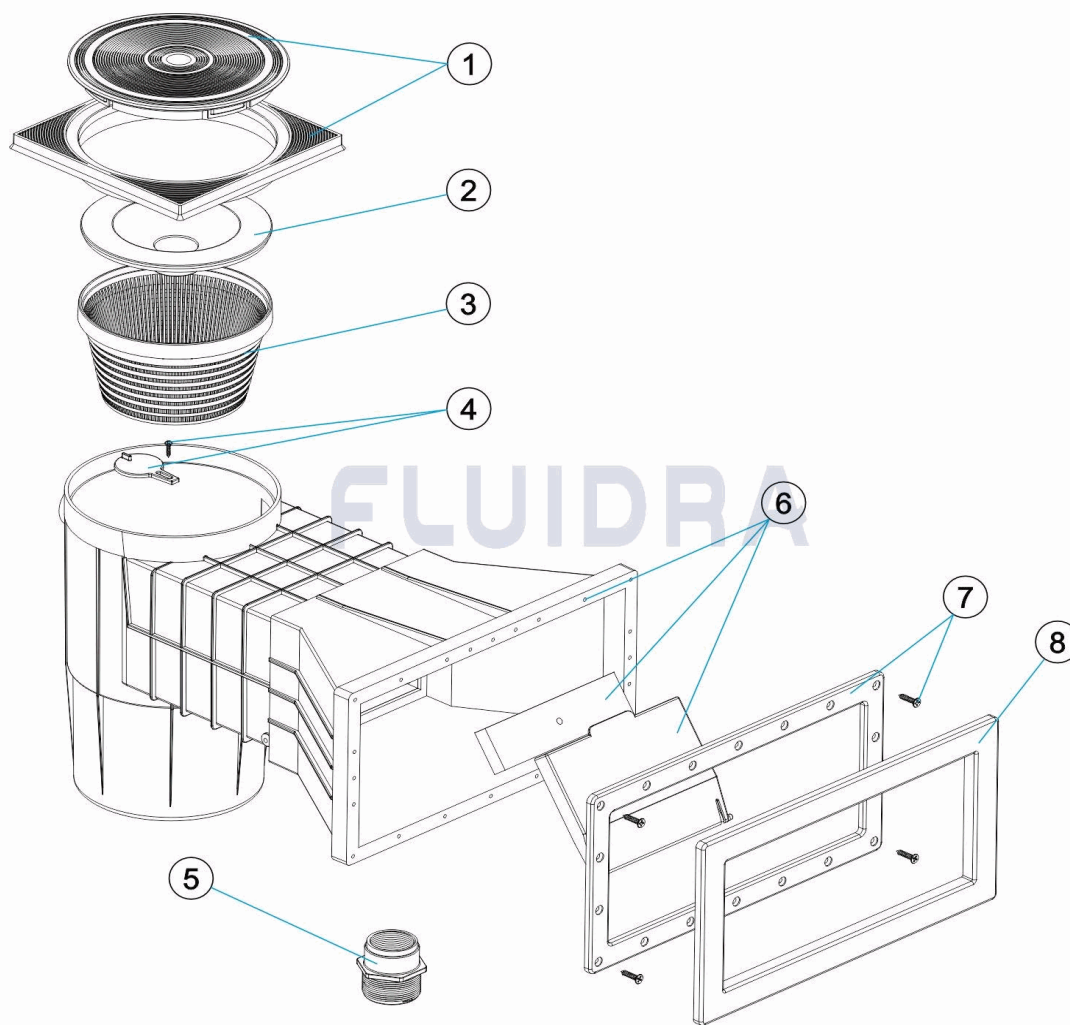
DESCRIPTION: **SKIMMER PH CONICAL MOUTH**



ENGLISH

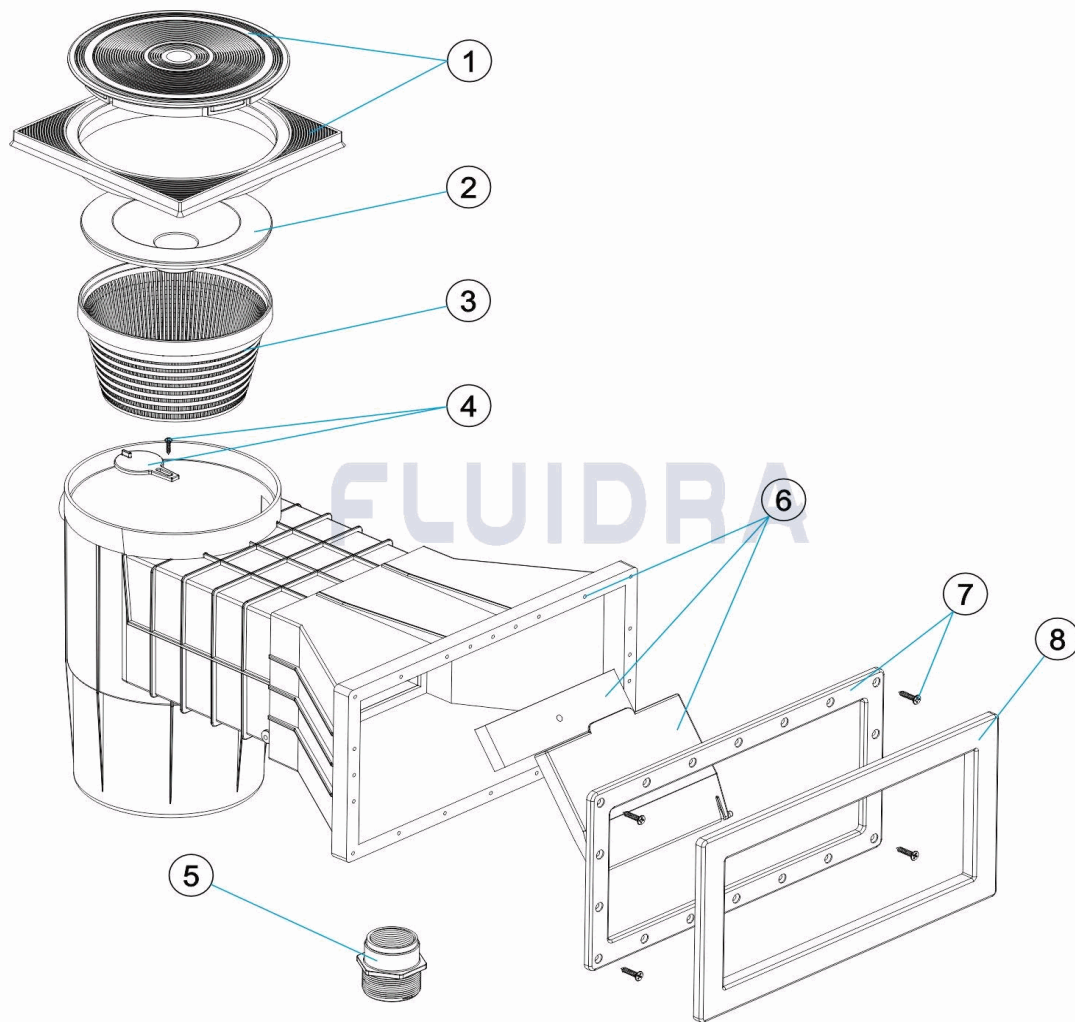
POS	CODE	DESCRIPTION	QUANTITY	POS	CODE	DESCRIPTION	QUANTITY
1	SP-02-0042	SQUARE RIM AND LID		5	SP-02-0049	SPIGOT	
2	SP-02-0043	SKIMMER BASKET FOR ABOVE GROUND		6	SP-02-0123	SKIMMER FLAP	
3	SP-02-0050	SKIMMER BASKET		7	SP-02-0046	FLANGE MOUTH WITH SCREWS	
4	SP-02-0044	KEYHOLE FLAP		8	SP-02-0047	SKIMMER FACEPLATE	

CODICE **A-002**

 DESCRIZIONE: **SKIMMER PH IMBOCCATURA CONICA**

ITALIANO

POS	CODICE	DESCRIZIONE	QUANTITA'	POS	CODICE	DESCRIZIONE	QUANTITA'
1	SP-02-0042	FLANGIA QUADRATA E COPERCHIO		5	SP-02-0049	NIPPLO	
2	SP-02-0043	COPERCHIO ASPIRAZIONE SKIMMER		6	SP-02-0123	BATTENTE SKIMMER	
3	SP-02-0050	CESTELLO SKIMMER		7	SP-02-0046	BOCCHETTA FLANGIA CON VITI	
4	SP-02-0044	ALETTA PARZIALIZZATRICE SKIMMER		8	SP-02-0047	ANELLO FRONTALE SKIMMER	

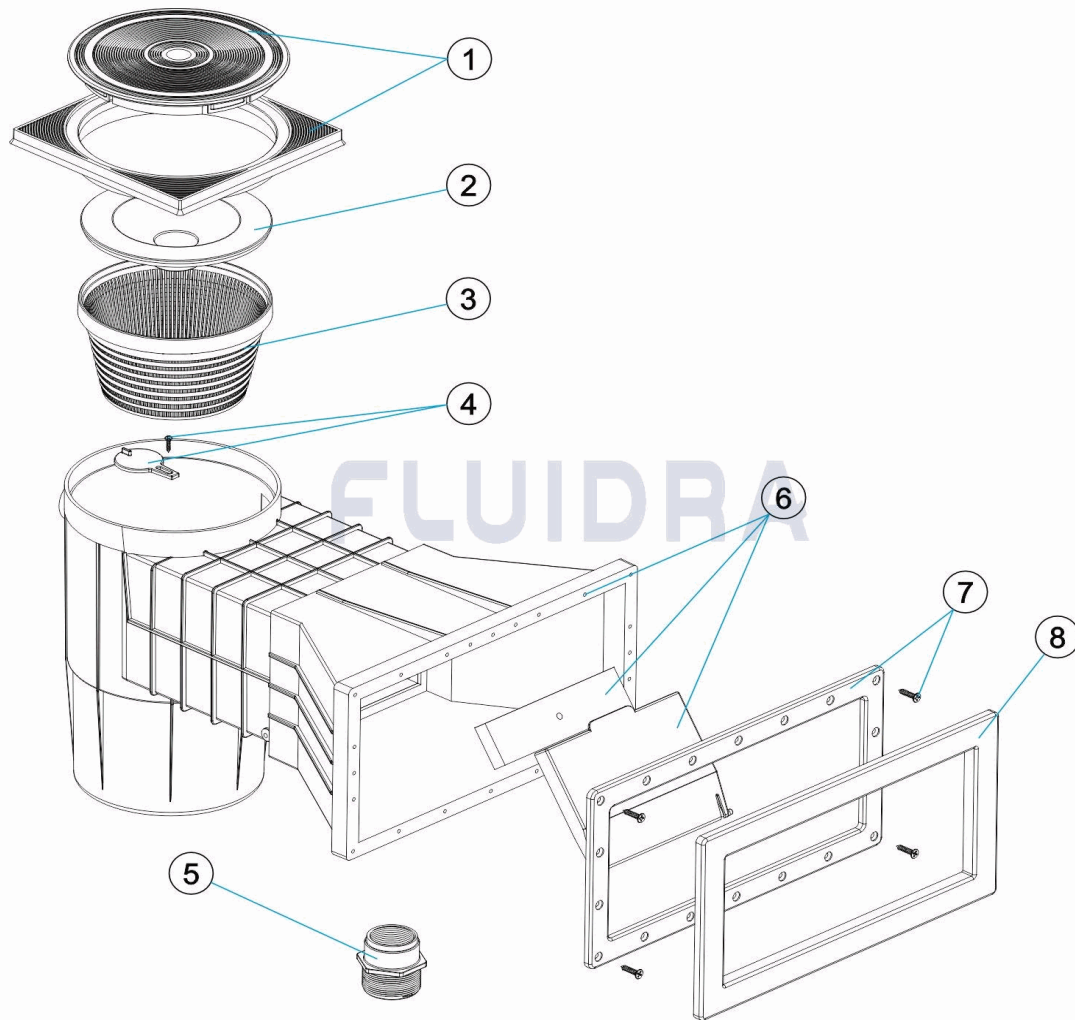
CODE **A-002**

 BESCHREIBUNG: **SKIMMER PH EINLASS KONISCH**

DEUTSCH

POS	CODE	BESCHREIBUNG	MENGE	POS	CODE	BESCHREIBUNG	MENGE
1	SP-02-0042	QUADRATISCHER RAHMEN UND ABDECKL		5	SP-02-0049	SCHRAUBTEIL	
2	SP-02-0043	ABDECKUNG SKIMMER		6	SP-02-0123	SKIMMERKLAPPE	
3	SP-02-0050	SKIMMERKORB		7	SP-02-0046	EINLASSFLANSCH MIT SCHRAUBEN	
4	SP-02-0044	ABDECKKAPPE		8	SP-02-0047	BLENDE SKIMMER	

CODIGO **A-002**

DESCRIÇÃO: **SKIMMER PH BOCA CÓNICA**



PORTUGUES

POS	CODIGO	DESCRIÇÃO	JANTIDADE	POS	CODIGO	DESCRIÇÃO	JANTIDADE
1	SP-02-0042	ARO QUADRADO E TAMPA		5	SP-02-0049	MACHO	
2	SP-02-0043	TAMPA ASPIRAÇÃO SKIMMER		6	SP-02-0123	BATTENTE SKIMMER	
3	SP-02-0050	CESTO SKIMMER		7	SP-02-0046	BOCAL FLANGE COM PARAFUSOS	
4	SP-02-0044	CLAPETA SKIMMER		8	SP-02-0047	EMBELEZEDOR SKIMMER	