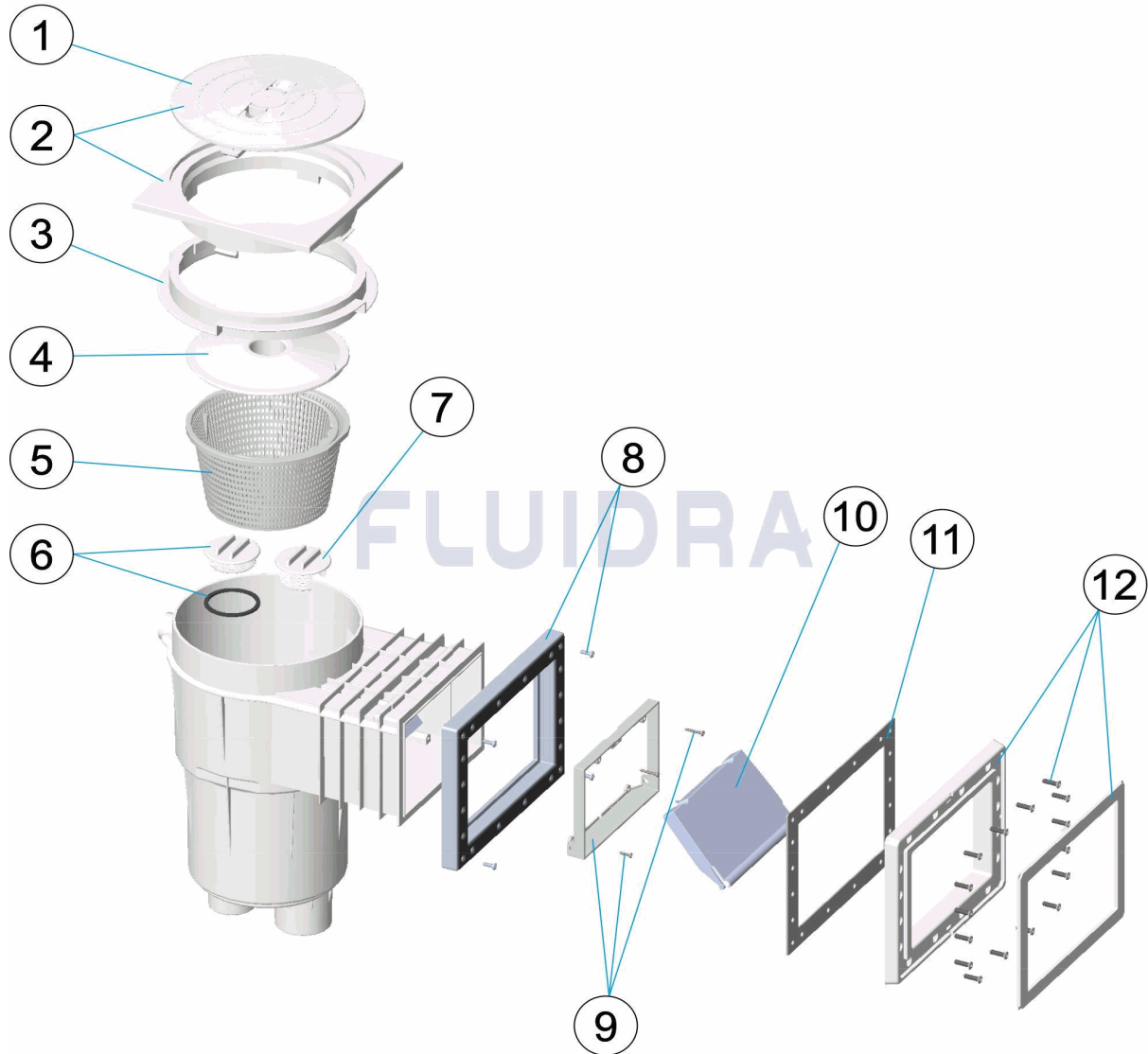
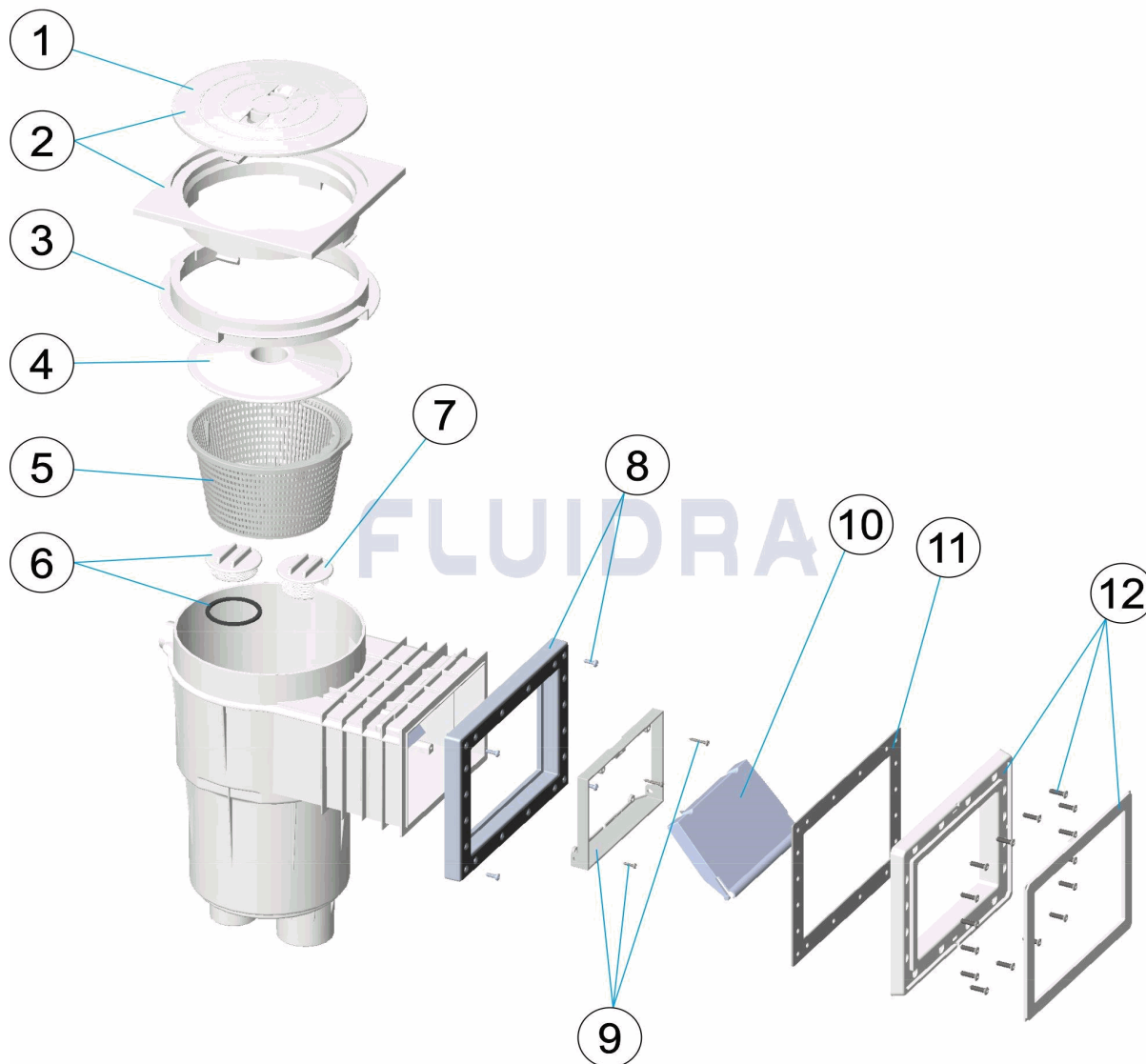


CODIGO **A-051**

 DESCRIPCION: **SKIMMER 17,5L BOCA STD.**

ESPAÑOL

POS	CODIGO	DESCRIPCION	CANTIDAD	POS	CODIGO	DESCRIPCION	CANTIDAD
1	SP-02-0090	TAPA SKIMMER		7	SP-02-0020	TAPON REGULADOR	
2	SP-02-0013	MARCO CUADRADO Y TAPA		8	SP-02-0058	MARCO ADAPTADOR BOCA	
3	SP-02-0017	ANILLO DISTANCIADOR SKIMMER		9	SP-02-0022	MARCO COMPUERTA SKIMMER	
4	SP-02-0018	TAPA CESTO SKIMMER		10	SP-02-0023	COMPUERTA SKIMMER CON CLIP	
5	SP-02-0019	CESTO SKIMMER 17,5 LTS.		11	SP-02-0059	JUNTA SKIMMER PEQUEÑA PISC. PREF.	
6	SP-02-0021	TAPON CON JUNTA		12	SP-02-0060	MARCO PEQUEÑO SKIMMER	

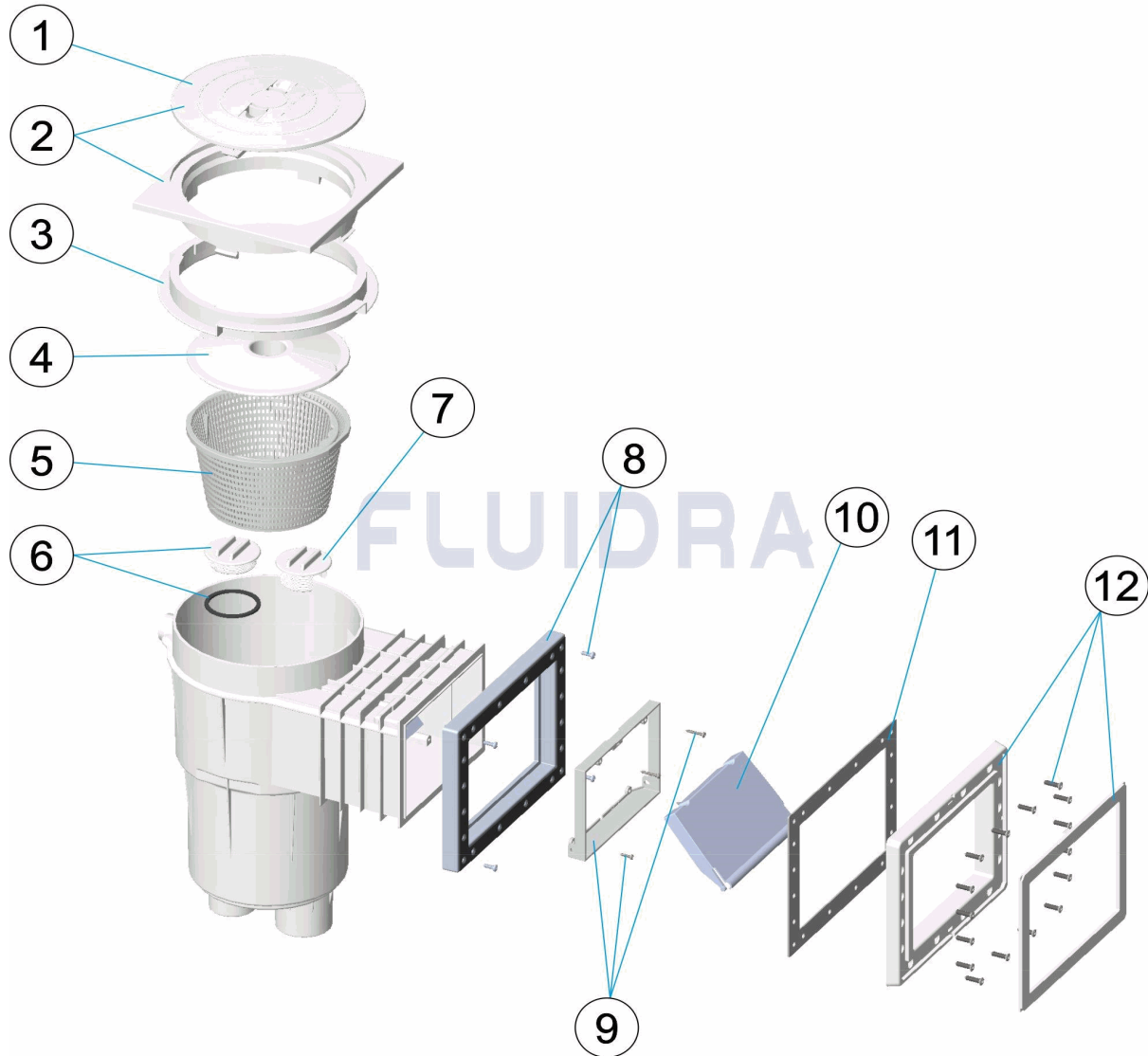
CODE **A-051**

 DESCRIPTION: **SKIMMER 17,5L B. STD.**

FRANCAIS

POS	CODE	DESCRIPTION	QUANTITE	POS	CODE	DESCRIPTION	QUANTITE
1	SP-02-0090	COUVERCLE ROND DE SKIMMER		7	SP-02-0020	BOUCHON REGULATEUR	
2	SP-02-0013	CADRE ET COUVERCLE ROND		8	SP-02-0058	CADRE ADAPTATEUR BOUCHE	
3	SP-02-0017	CADRE REHAUSSE COUVERCLE		9	SP-02-0022	CADRE VOLET SKIMMER	
4	SP-02-0018	COUVERCLE PANIER SKIMMER		10	SP-02-0023	VOLET DE SKIMMER	
5	SP-02-0019	PANIER SKIMMER 17,5 LTS		11	SP-02-0059	JOINT SKIM PETIT MODELE PISCINE LINER	
6	SP-02-0021	BOUCHON SKIMMER AVEC JOINT		12	SP-02-0060	BRIDE ET CACHE VIS KIT LINER	

CODE **A-051**

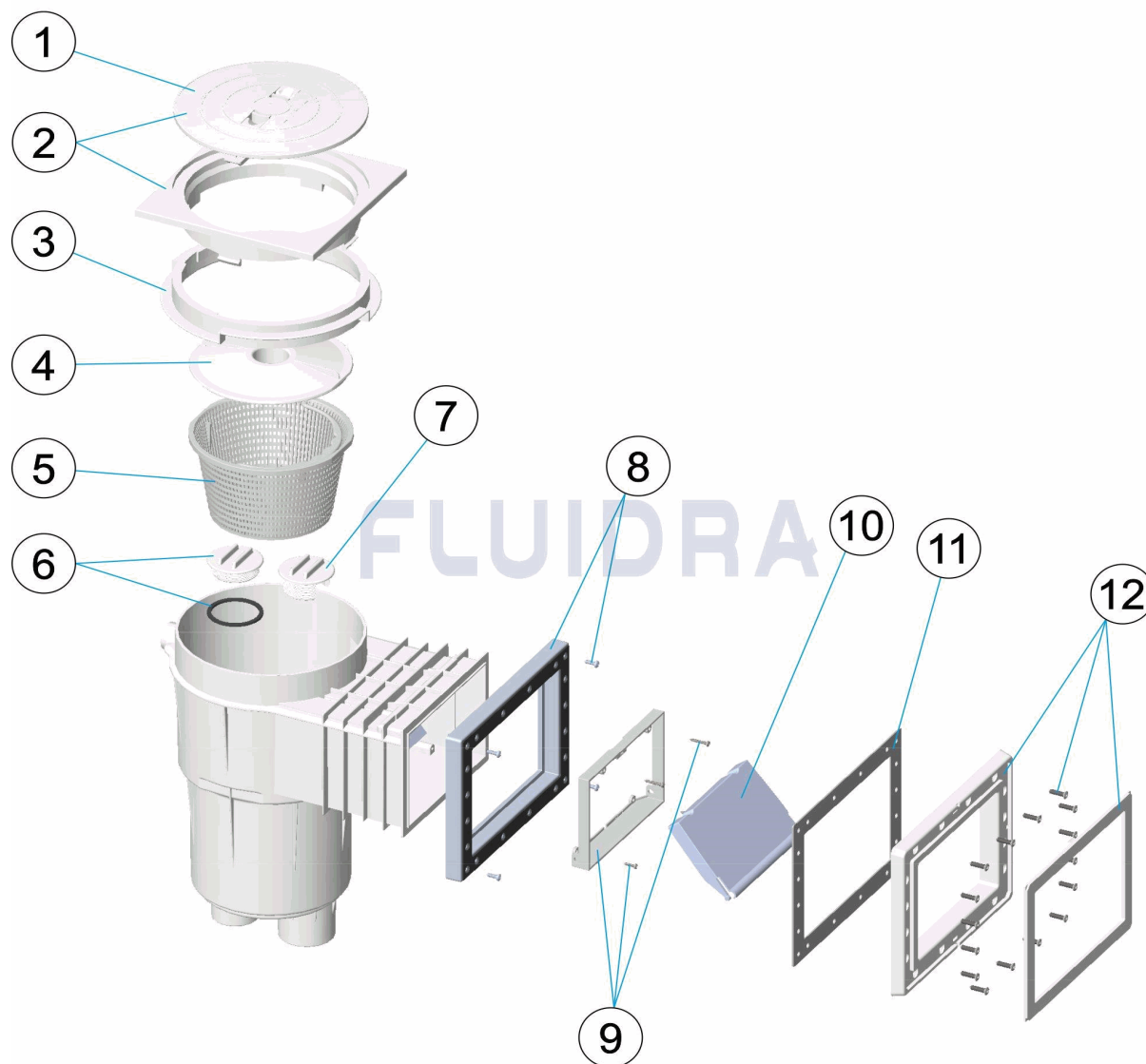
DESCRIPTION: **SKIMMER 17,5L B. STD.**



ENGLISH

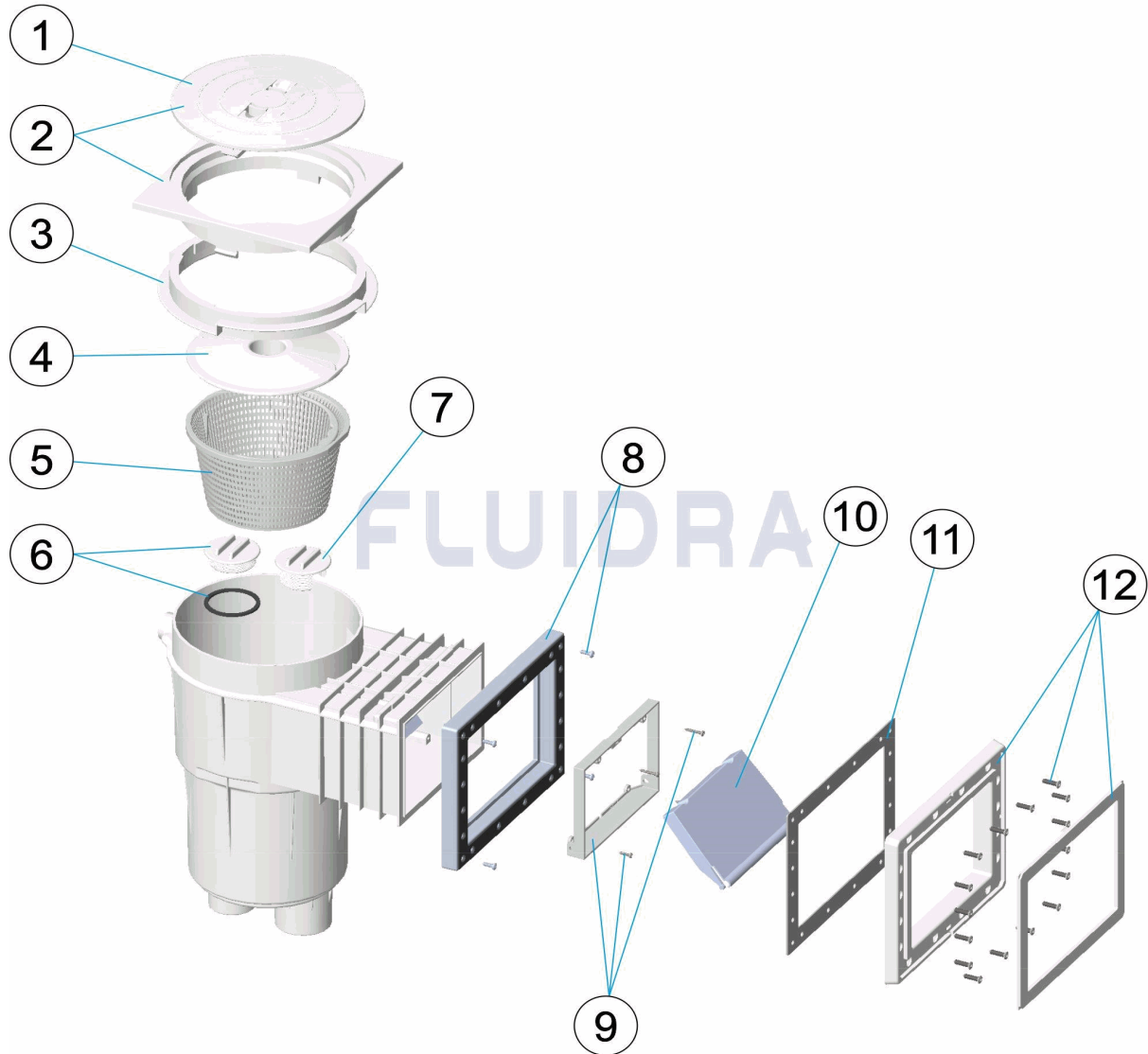
POS	CODE	DESCRIPTION	QUANTITY	POS	CODE	DESCRIPTION	QUANTITY
1	SP-02-0090	SKIMMER LID		7	SP-02-0020	REGULATING PLUG	
2	SP-02-0013	SQUARE RIM AND LID		8	SP-02-0058	ADAPTOR FRAME	
3	SP-02-0017	COLLAR EXTENSION RING		9	SP-02-0022	FLAP FRAME	
4	SP-02-0018	VACUUM PLATE		10	SP-02-0023	SKIMMER FLAP	
5	SP-02-0019	BASKET 17,5 LITRES		11	SP-02-0059	SMALL SKIMMER GASKETS FOR LINER PO	
6	SP-02-0021	BLANKING PLUG AND 'O' RING		12	SP-02-0060	SMALL SKIMMER FRAME	

CODICE **A-051**

 DESCRIZIONE: **SKIMMER 17,5L B. STD.**

ITALIANO

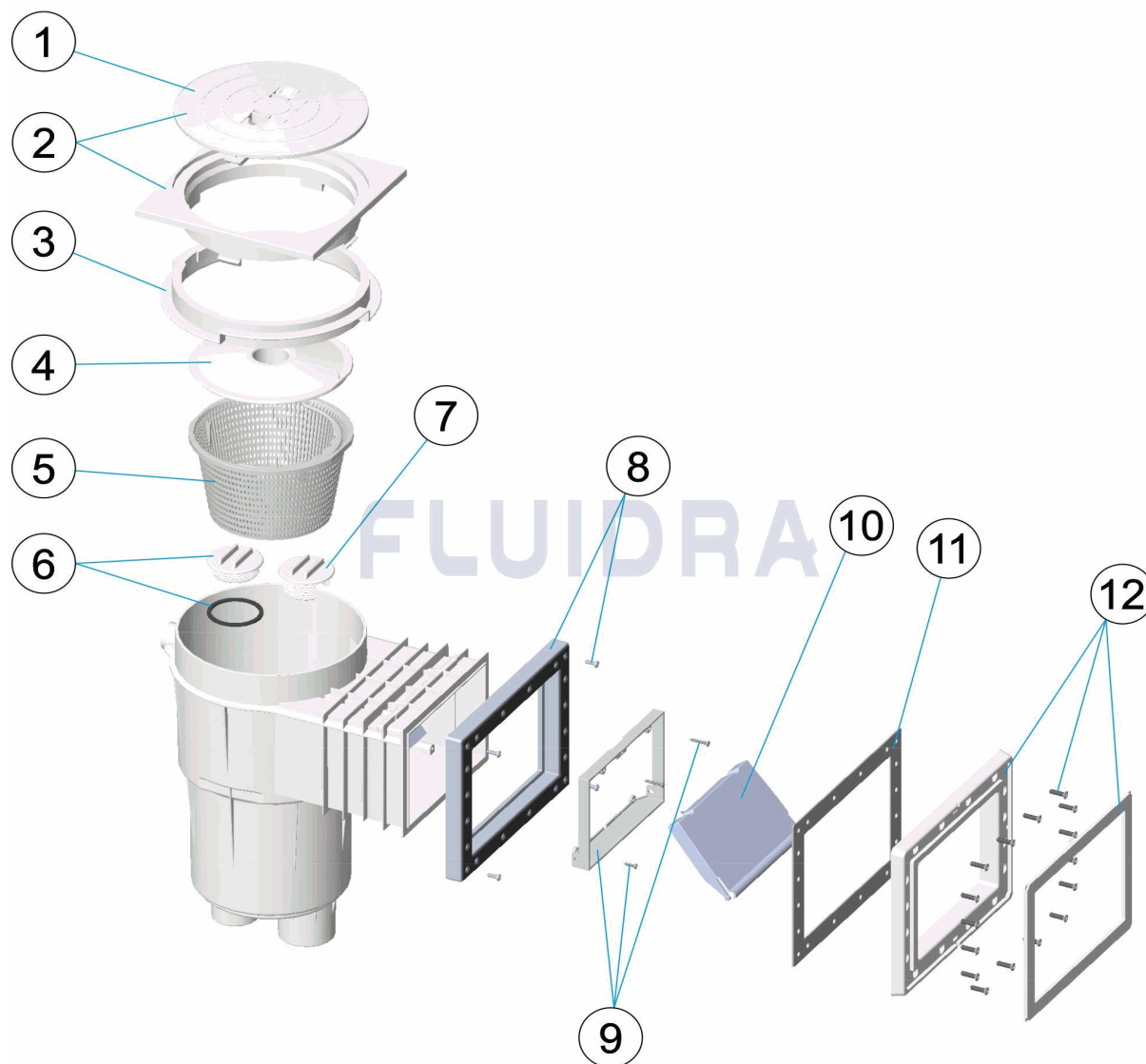
POS	CODICE	DESCRIZIONE	QUANTITA'	POS	CODICE	DESCRIZIONE	QUANTITA'
1	SP-02-0090	COPERCHIO SKIMMER		7	SP-02-0020	TAPPO DI REGOLAZIONE	
2	SP-02-0013	FLANGIA QUADRATA E COPERCHIO		8	SP-02-0058	FLANGIA ADATTATORE BOCA	
3	SP-02-0017	ANELLO DISTANZIATORE SKIMMER		9	SP-02-0022	CORNICE BATTENTE SKIMMER	
4	SP-02-0018	COPERCHIO CESTELLO SKIMMER		10	SP-02-0023	BATTENTE SKIMMER CON CLIP	
5	SP-02-0019	CESTELLO SKIMMER DA 17,5 LITRI		11	SP-02-0059	GUARNIZIONE PER SKIMMER BASE P.F.	
6	SP-02-0021	TAPPO CON GUARNIZIONE		12	SP-02-0060	CORNICE PICCOLA SKIMMER	

CODE **A-051**

 BESCHREIBUNG: **SKIMMER 17,5L EINLASS STANDARD**

DEUTSCH

POS	CODE	BESCHREIBUNG	MENGE	POS	CODE	BESCHREIBUNG	MENGE
1	SP-02-0090	SKIMMERDECKEL		7	SP-02-0020	STOPFEN REGULIERUNG	
2	SP-02-0013	QUADRATISCHER RAHMEN UND ABDECKL		8	SP-02-0058	ADAPTERRAHMEN EINLASS	
3	SP-02-0017	DISTANZRING SKIMMER		9	SP-02-0022	RAHMEN SKIMMERKLAPPE	
4	SP-02-0018	ABDECKUNG SKIMMKORB		10	SP-02-0023	SKIMMERKLAPPE MIT CLIP	
5	SP-02-0019	SKIMMERKORB 17,5 L		11	SP-02-0059	DICHUNG SKIMMER KLEIN FERTIGBECKE	
6	SP-02-0021	STOPFEN UND DICHUNG		12	SP-02-0060	KLEINER SKIMMERRAHMEN	

CODIGO **A-051**

 DESCRIÇÃO: **SKIMMER 17,5 L B. STD.**

PORTUGUES

POS	CODIGO	DESCRIÇÃO	JANTIDADE	POS	CODIGO	DESCRIÇÃO	JANTIDADE
1	SP-02-0090	TAMPA SKIMMER		7	SP-02-0020	TAMPA REGULADORA	
2	SP-02-0013	ARO QUADRADO E TAMPA		8	SP-02-0058	CAIXILHO ADAPTADOR BOCA	
3	SP-02-0017	ANEL DISTANCIADOR SKIMMER		9	SP-02-0022	CAIXILHO COMPORTA SKIMMER	
4	SP-02-0018	TAMPA CESTO SKIMMER		10	SP-02-0023	COMPORTA SKIMMER CLIP	
5	SP-02-0019	CESTO SKIMMER 17,5 LTS		11	SP-02-0059	JUNTA PEQUENA DE SKIMMER	
6	SP-02-0021	TAMPA COM JUNTA		12	SP-02-0060	ARO PEQUENO SKIMMER	