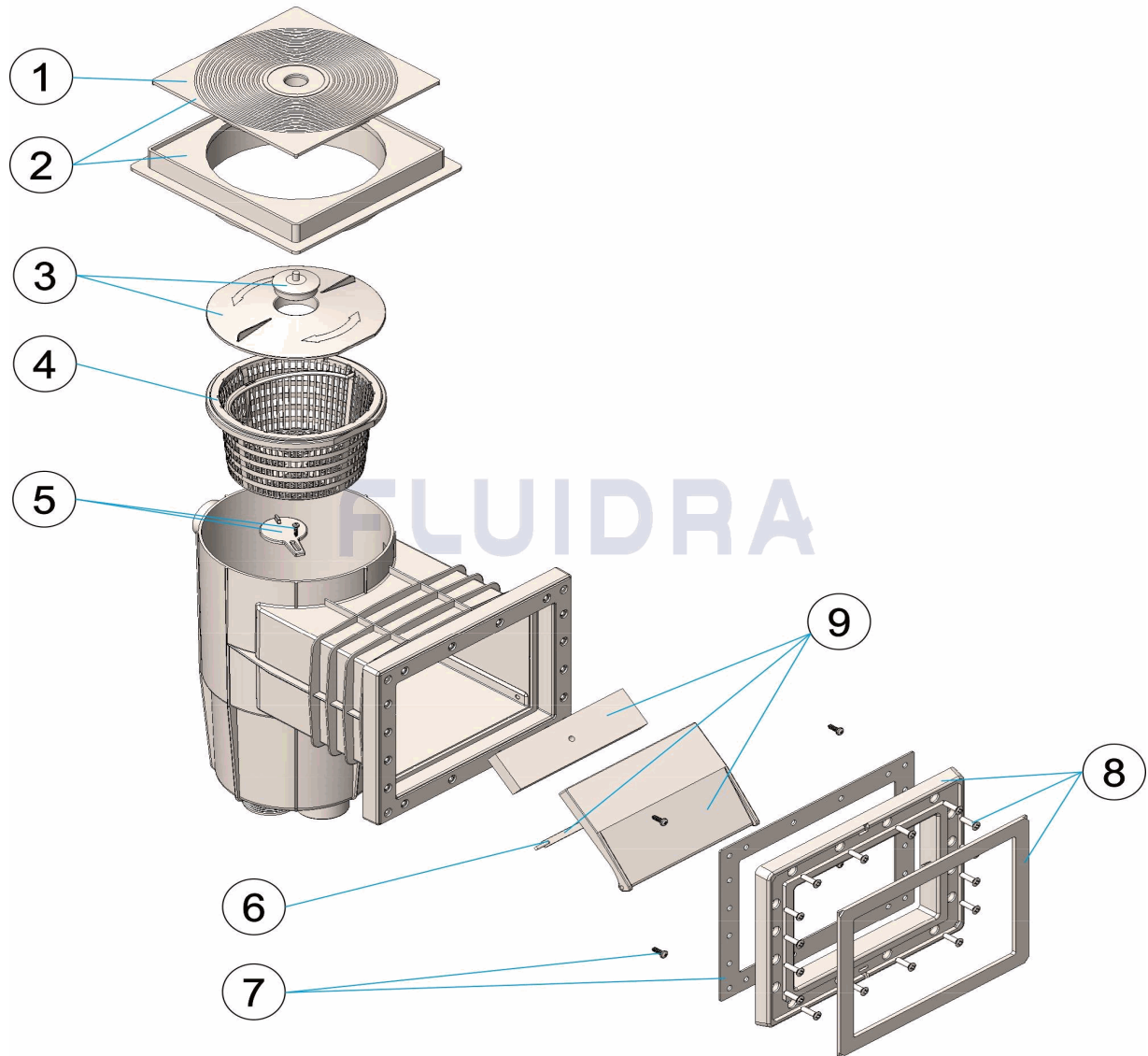
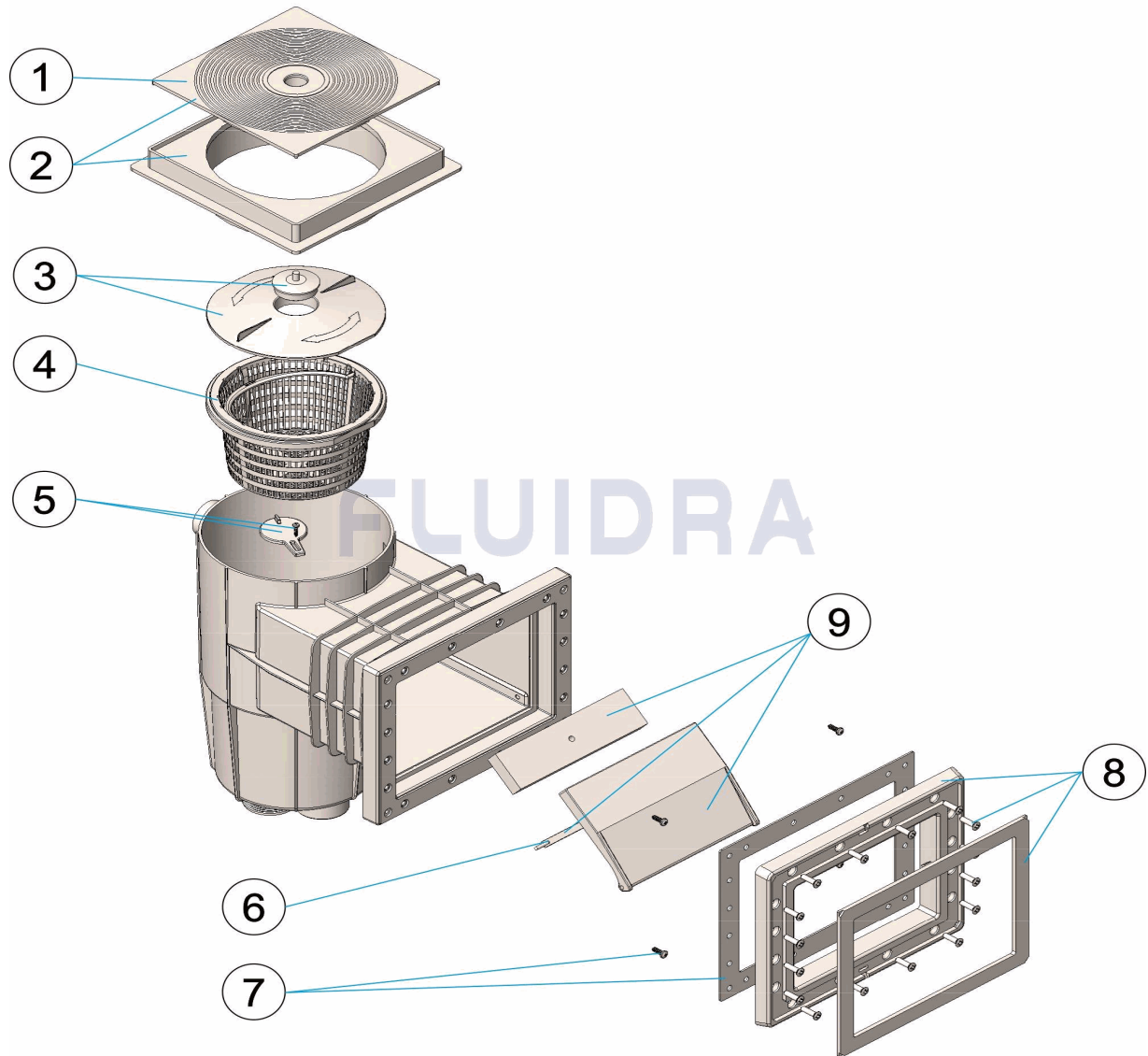


CODIGO **A-055**

 DESCRIPCION: **SKIMMER 15L PP .STD. T. CUADRADA**

ESPAÑOL

POS	CODIGO	DESCRIPCION	CANTIDAD	POS	CODIGO	DESCRIPCION	CANTIDAD
1	SP-02-0066	TAPA CUADRADA SKIMMER		6	SP-02-0070	BISAGRA COMPUERTA	
2	SP-02-0067	TAPA Y ARO CUADRADO SKIMMER		7	SP-02-0071	JUNTA SKIMMER PEQUEÑA PISC. PREF.	
3	SP-02-0068	TAPA CESTO SKIMMER CON TAPON		8	SP-02-0060	MARCO PEQUEÑO SKIMMER	
4	SP-02-0069	CESTO SKIMMER		9	SP-02-0072	COMPUERTA SKIMMER BISAGRA	
5	SP-02-0044	CLAPETA SKIMMER					

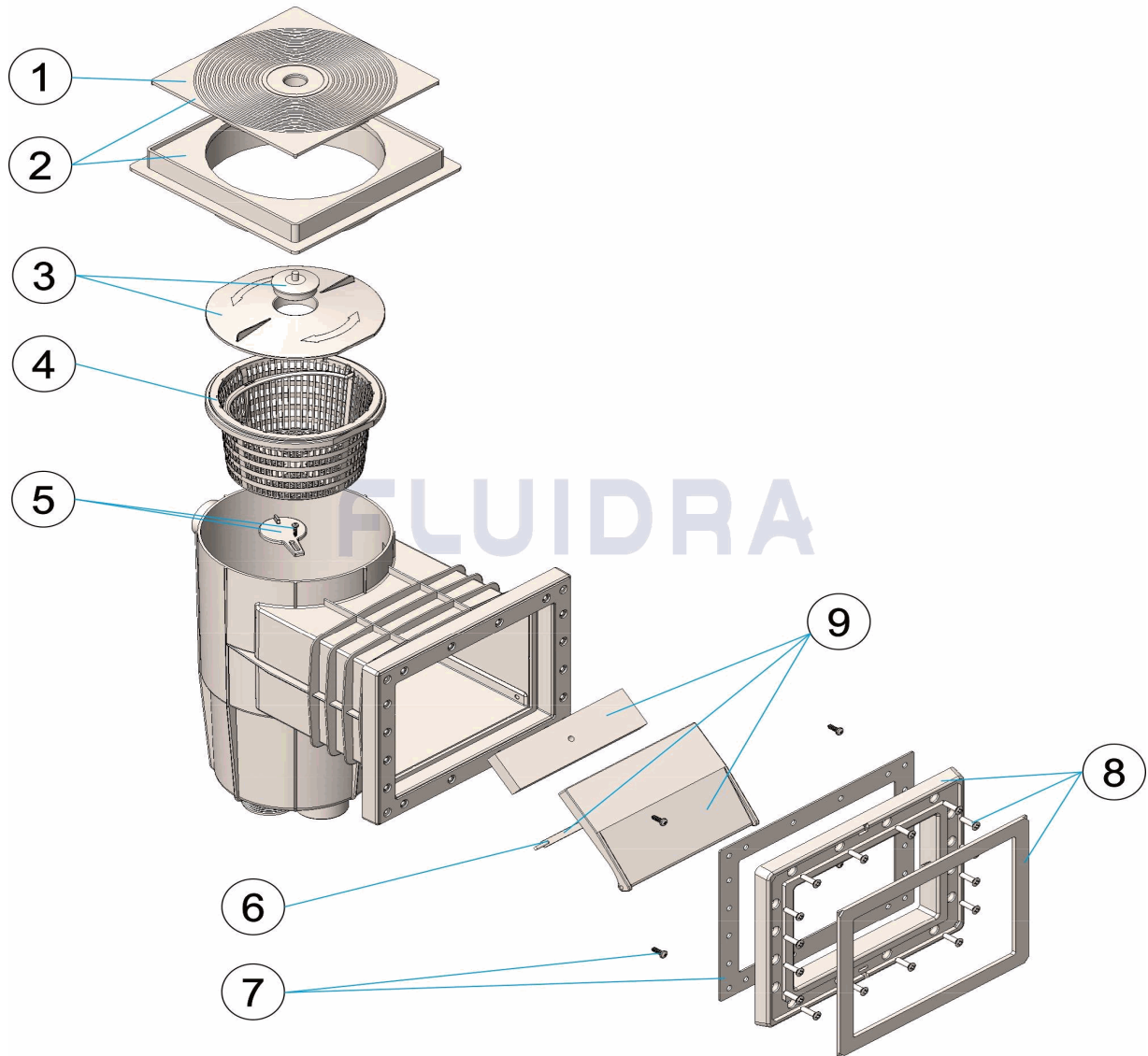
CODE **A-055**

 DESCRIPTION: **SKIMMER 15L PP .STD. C. CARRÉ**

FRANCAIS

POS	CODE	DESCRIPTION	QUANTITE	POS	CODE	DESCRIPTION	QUANTITE
1	SP-02-0066	COUVERCLE CARRE SKIMMER		6	SP-02-0070	CHARNIERE VOLET	
2	SP-02-0067	COUVERCLE ET CADRE CARRE SKIMMER		7	SP-02-0071	JOINT SKIM PETIT MODELE PISCINE LINER	
3	SP-02-0068	COUVERCLE PANIER SKIMMER AVEC BOU		8	SP-02-0060	BRIDE ET CACHE VIS KIT LINER	
4	SP-02-0069	PANIER SKIMMER		9	SP-02-0072	VOLET ET CHARNIERE SKIMMER	
5	SP-02-0044	CLAPET SKIMMER					

CODE **A-055**

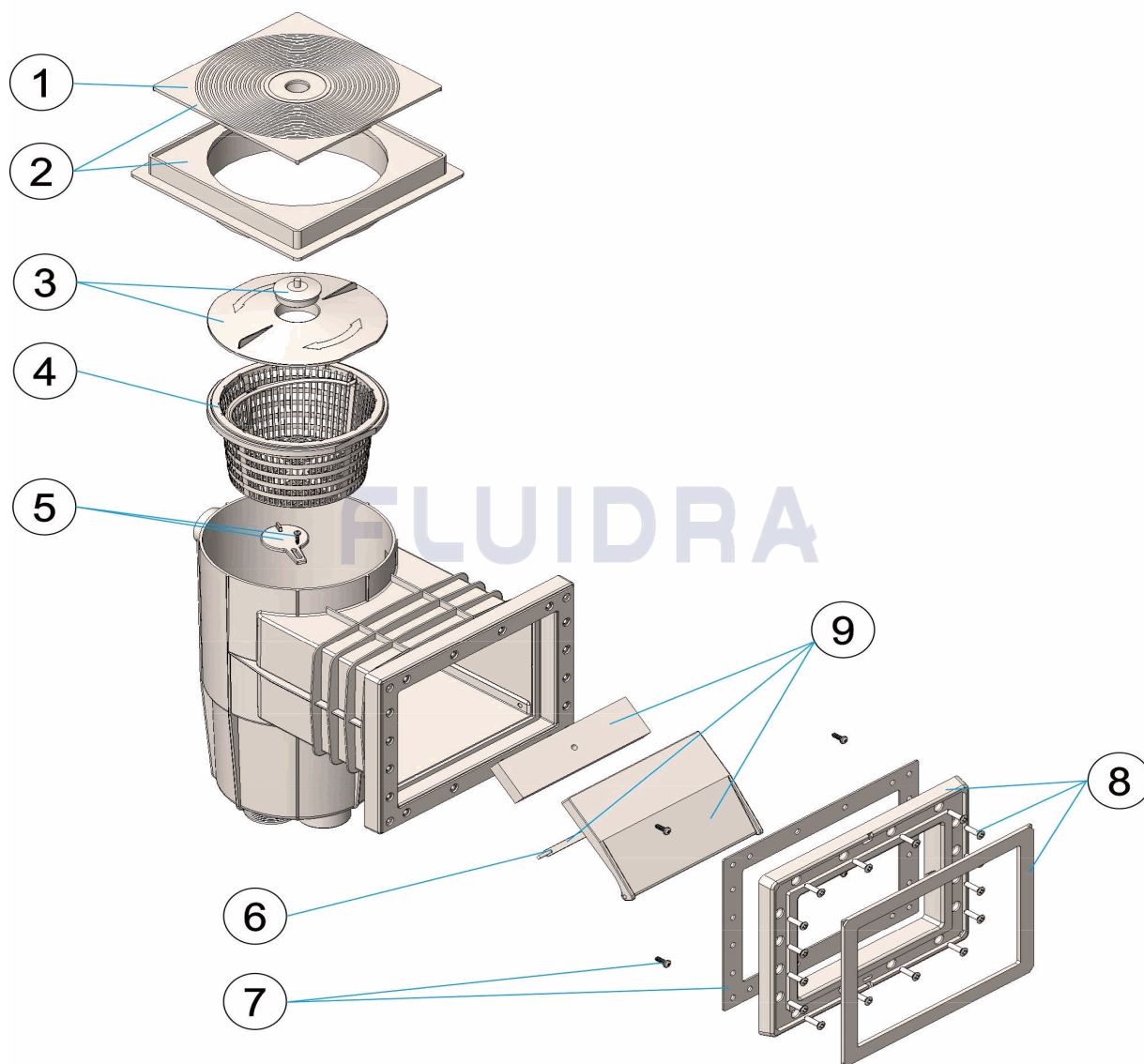
DESCRIPTION: **SKIMMER 15L PP. STD. SQUARE COVER**



ENGLISH

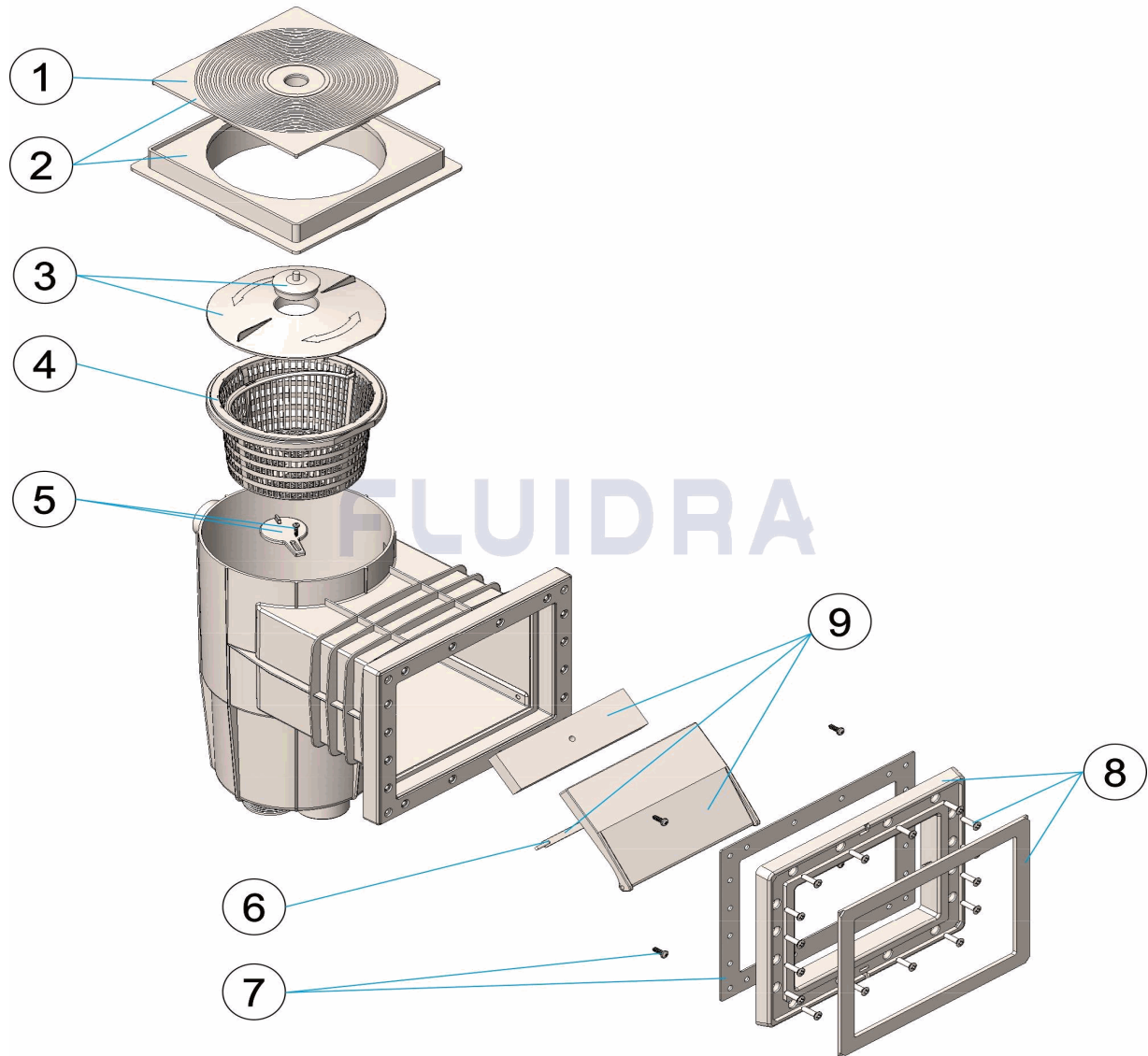
POS	CODE	DESCRIPTION	QUANTITY	POS	CODE	DESCRIPTION	QUANTITY
1	SP-02-0066	SQUARE SKIMMER LID		6	SP-02-0070	HINGE FLAP	
2	SP-02-0067	SQUARE LID AND LID FRAME		7	SP-02-0071	SMALL SKIMMER GASKETS FOR LINER PO	
3	SP-02-0068	VACUUM PLATE WITH PLUG		8	SP-02-0060	SMALL SKIMMER FRAME	
4	SP-02-0069	SKIMMER BASKET		9	SP-02-0072	FLAP RETAINING CLIP	
5	SP-02-0044	KEYHOLE FLAP					

CODICE **A-055**

 DESCRIZIONE: **SKIMMER 15L PP STD. T. QUADRATO**

ITALIANO

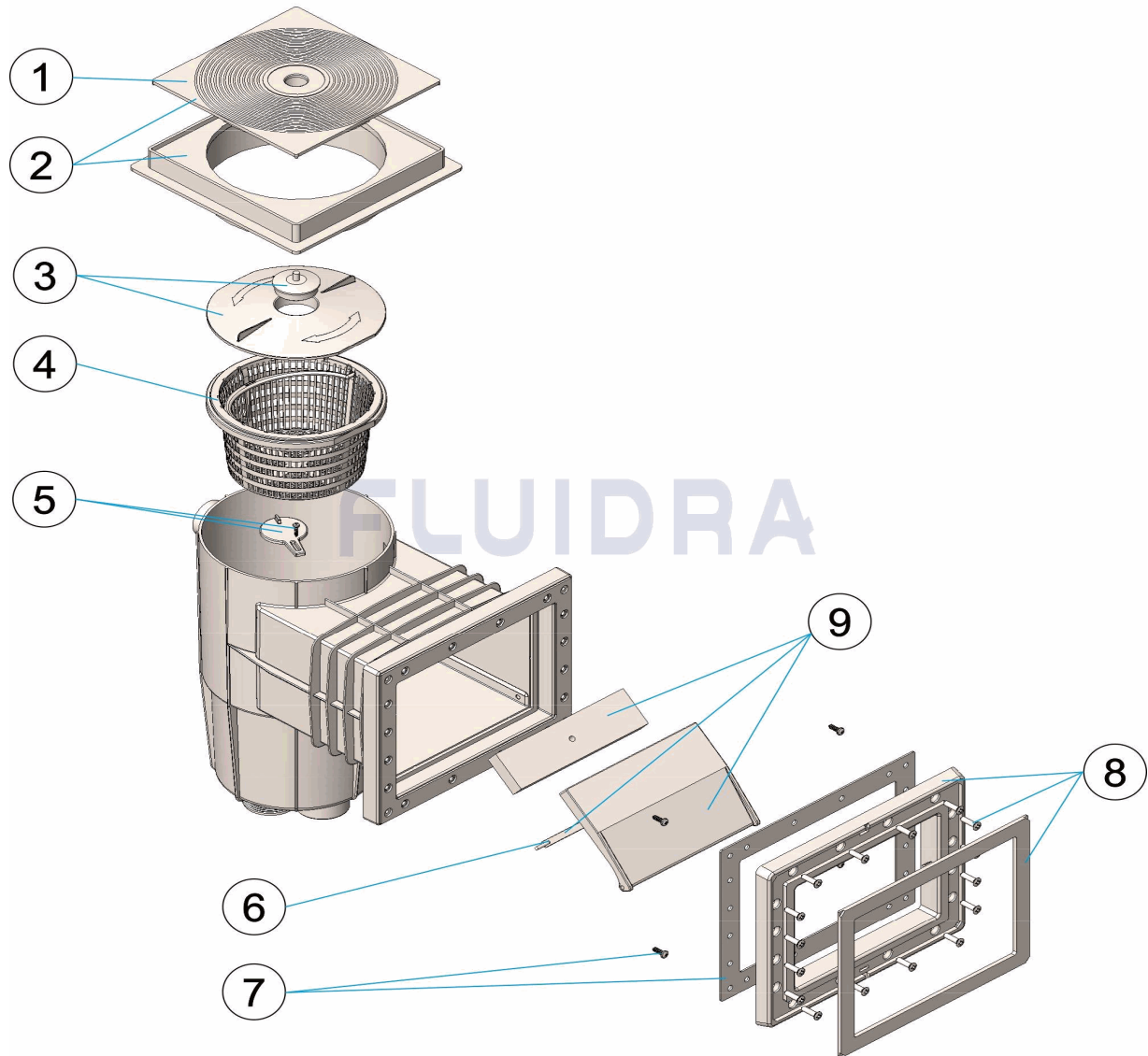
POS	CODICE	DESCRIZIONE	QUANTITA'	POS	CODICE	DESCRIZIONE	QUANTITA'
1	SP-02-0066	COPERCHIO QUADRO SKIMMER		6	SP-02-0070	CERNIERE BATTENTE	
2	SP-02-0067	COPERCHIO E CORNICE QUADRA SKIMME		7	SP-02-0071	GUARNIZIONE PER SKIMMER BASE P.F.	
3	SP-02-0068	COPERCHIO CESTELLO SKIMMER CON TA		8	SP-02-0060	CORNICE PICCOLA SKIMMER	
4	SP-02-0069	CESTELLO SKIMMER		9	SP-02-0072	BATTENTE SKIMMER CON PERNO	
5	SP-02-0044	ALETTA PARZIALIZZATRICE SKIMMER					

CODE **A-055**

 BESCHREIBUNG: **SKIMMER 15L PP STANDARD ABDECKUNG QUADRATISCH**

DEUTSCH

POS	CODE	BESCHREIBUNG	MENGE	POS	CODE	BESCHREIBUNG	MENGE
1	SP-02-0066	ABDECKUNG QUADRATISCH SKIMMER		6	SP-02-0070	SCHARNIER Klappe	
2	SP-02-0067	ABDECKUNG UND RING SKIMMER QUADR		7	SP-02-0071	DICHTUNG SKIMMER KLEIN FERTIGBECKE	
3	SP-02-0068	ABDECKUNG SKIMMKORB MIT STOPFEN		8	SP-02-0060	KLEINER SKIMMERRAHMEN	
4	SP-02-0069	SKIMMERKORB		9	SP-02-0072	SKIMMERKLAPPE SCHARNIER	
5	SP-02-0044	ABDECKKAPPE					

CODIGO **A-055**

 DESCRIÇÃO: **SKIMMER 15 L PP B. LARGA T. QUADRADA**

PORTUGUES

POS	CODIGO	DESCRIÇÃO	JANTIDADE	POS	CODIGO	DESCRIÇÃO	JANTIDADE
1	SP-02-0066	TAMPA QUADRADA SKIMMER		6	SP-02-0070	DOBRADIÇA COMPORTA	
2	SP-02-0067	TAMPA E ARO QUADRADO SKIMMER		7	SP-02-0071	JUNTA PEQUENA DE SKIMMER	
3	SP-02-0068	TAMPA CESTO SKIMMER		8	SP-02-0060	ARO PEQUENO SKIMMER	
4	SP-02-0069	CESTO SKIMMER		9	SP-02-0072	COMPORTA SKIMMER BISAGRA	
5	SP-02-0044	CLAPETA SKIMMER					