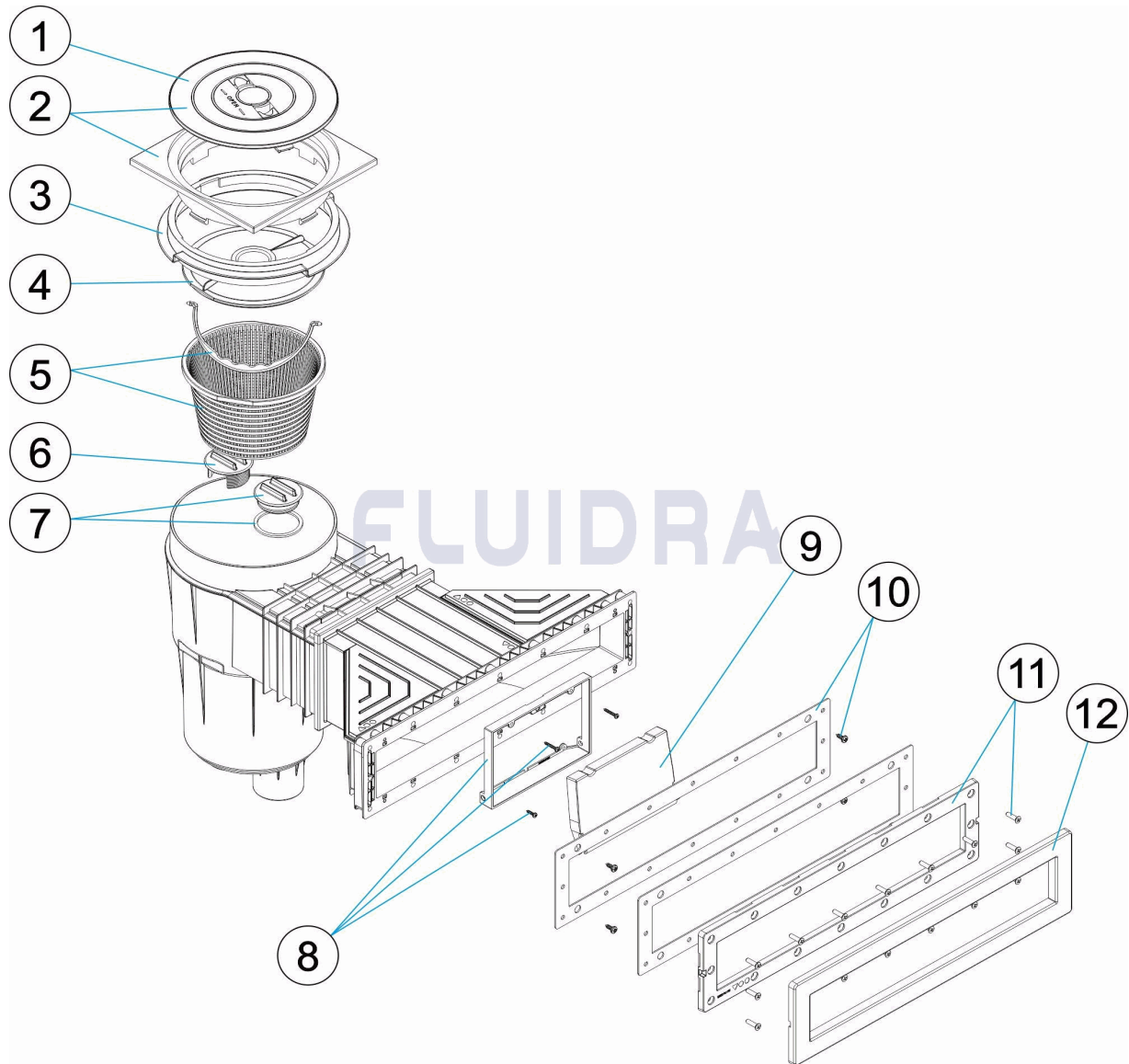


CODIGO **E-12NORM-L**

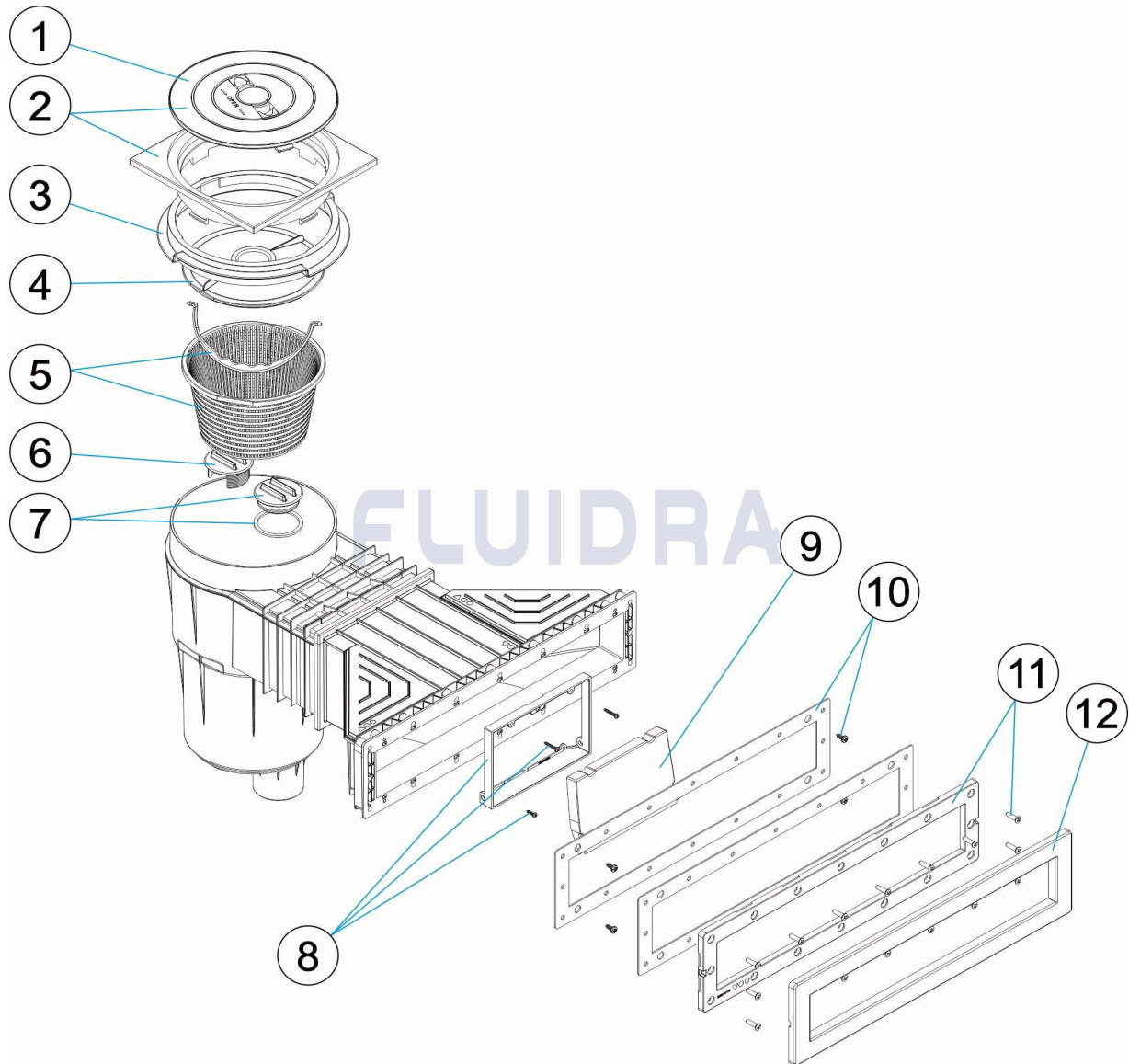
DESCRIPCION: **SKIMMER 17,5 L. BOCA 495 X 80 SIN INSERTOS**



ESPAÑOL

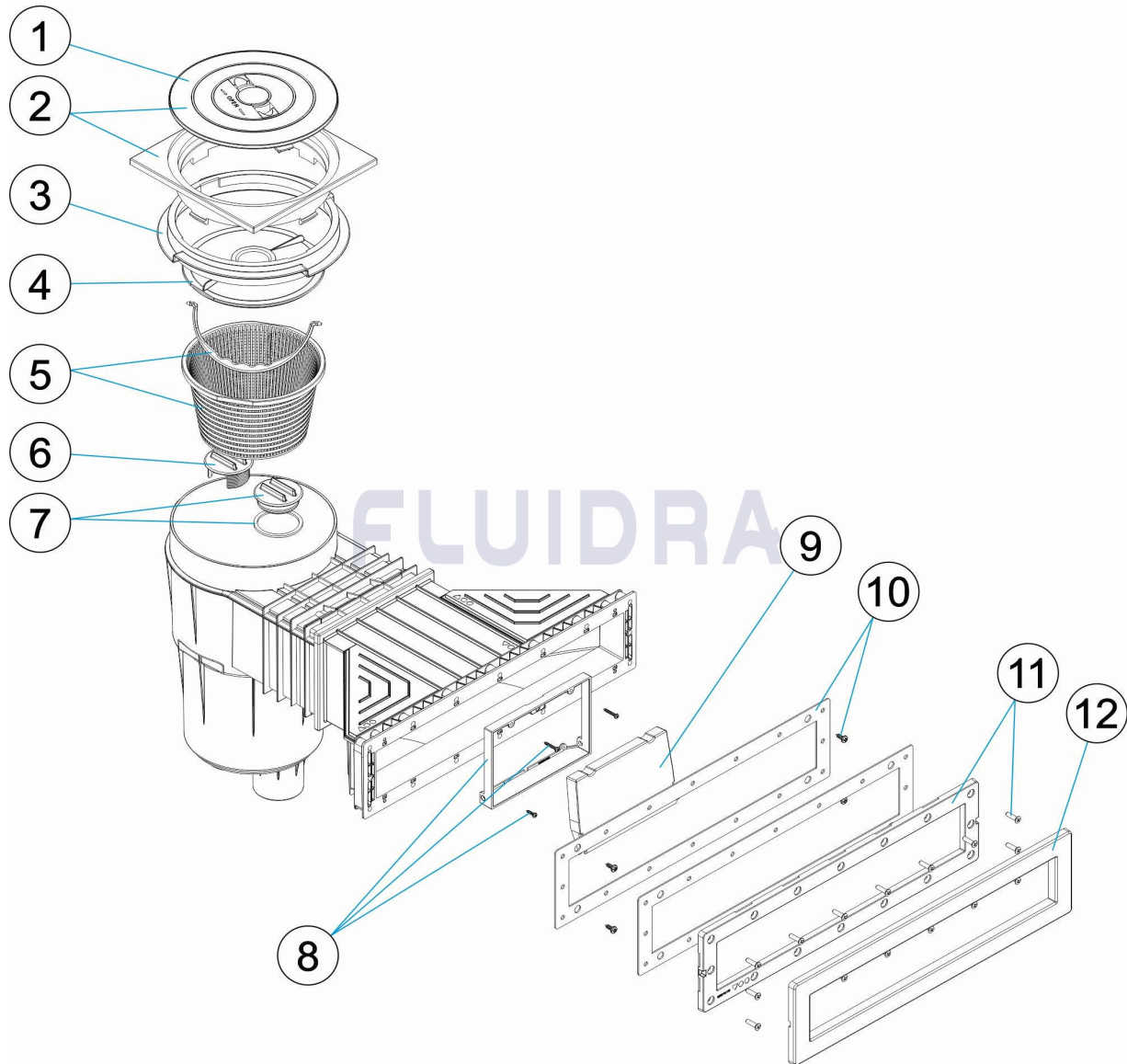
POS	CODIGO	DESCRIPCION	CANTIDAD	POS	CODIGO	DESCRIPCION	CANTIDAD
1	SP-02-0090	TAPA SKIMMER		7	SP-02-0021	TAPON CON JUNTA	
2	SP-02-0013	MARCO CUADRADO Y TAPA		8	SP-02-0022	MARCO COMPUERTA SKIMMER	
3	SP-02-0017	ANILLO DISTANCIADOR SKIMMER		9	SP-02-0023	COMPUERTA SKIMMER CON CLIP	
4	SP-02-0018	TAPA CESTO SKIMMER		10	SP-02-0024	JUNTA ADHESIVA BOCA 495 X 80	
5	SP-02-0019	CESTO SKIMMER 17,5 LTS.		11	SP-02-0074	BRIDA BOCA 495 X 80 SIN INSERTOS	
6	SP-02-0020	TAPON REGULADOR		12	SP-02-0011	EMBELLECEDOR BOCA 495 X 80	

CODE **E-12NORM-L**

 DESCRIPTION: **SKIMMER 17,5 L. OUVERTURE 495 X 80 SANS INSERTS**

FRANCAIS

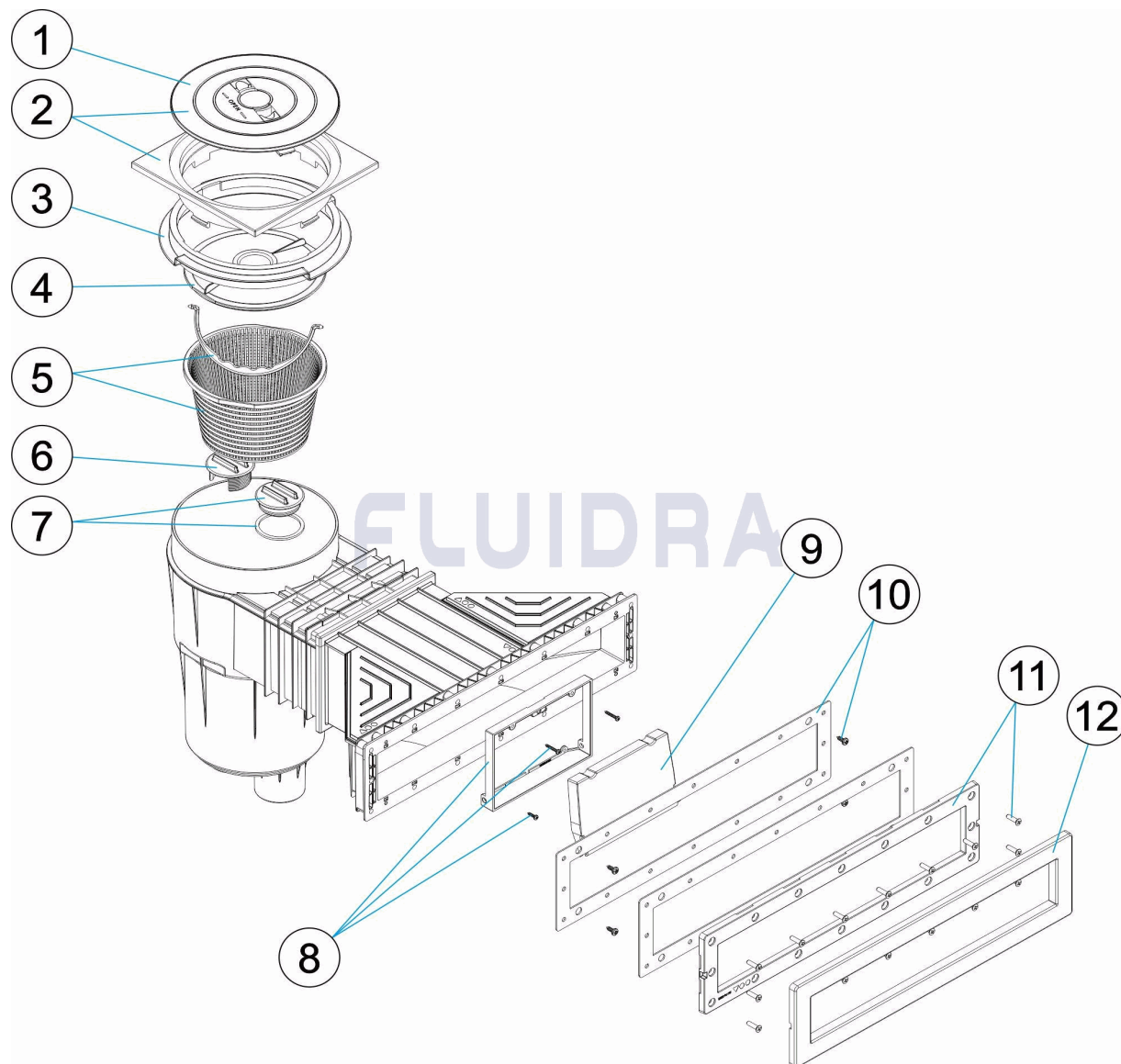
POS	CODE	DESCRIPTION	QUANTITE	POS	CODE	DESCRIPTION	QUANTITE
1	SP-02-0090	COUVERCLE ROND DE SKIMMER		7	SP-02-0021	BOUCHON SKIMMER AVEC JOINT	
2	SP-02-0013	CADRE ET COUVERCLE ROND		8	SP-02-0022	CADRE VOLET SKIMMER	
3	SP-02-0017	CADRE REHAUSSE COUVERCLE		9	SP-02-0023	VOLET DE SKIMMER	
4	SP-02-0018	COUVERCLE PANIER SKIMMER		10	SP-02-0024	JOINT ADHÉSIF 495 X 80	
5	SP-02-0019	PANIER SKIMMER 17,5 LTS		11	SP-02-0074	BRIDE 495 X 80 SANS INSERTS	
6	SP-02-0020	BOUCHON REGULATEUR		12	SP-02-0011	ENJOLIVEUR 495 X 80	

CODE **E-12NORM-L**

 DESCRIPTION: **SKIMMER 17.5 L. 495 X 80 APERTURE WITHOUT INSERTS**

ENGLISH

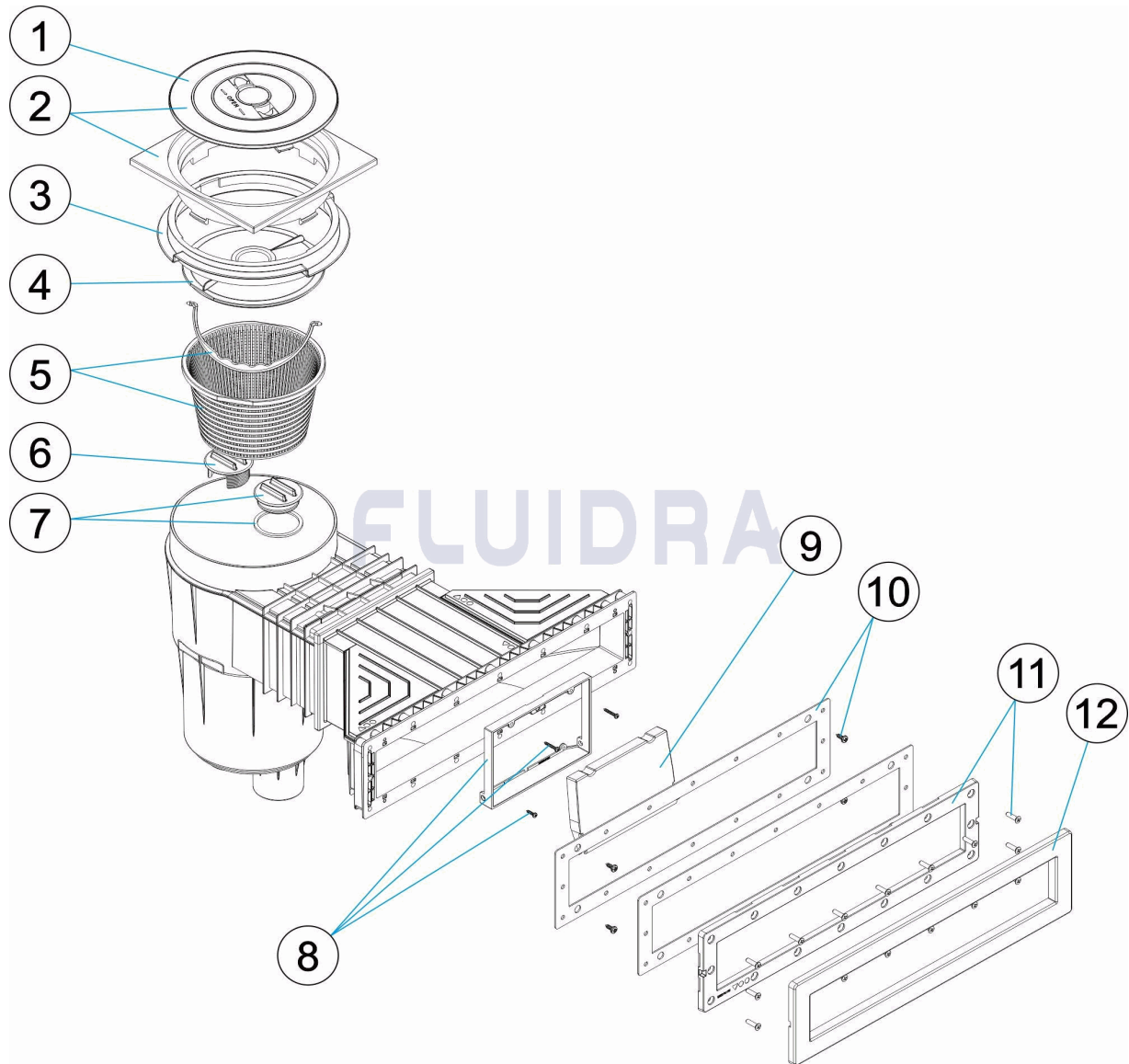
POS	CODE	DESCRIPTION	QUANTITY	POS	CODE	DESCRIPTION	QUANTITY
1	SP-02-0090	SKIMMER LID		7	SP-02-0021	BLANKING PLUG AND 'O' RING	
2	SP-02-0013	SQUARE RIM AND LID		8	SP-02-0022	FLAP FRAME	
3	SP-02-0017	COLLAR EXTENSION RING		9	SP-02-0023	SKIMMER FLAP	
4	SP-02-0018	VACUUM PLATE		10	SP-02-0024	ADHESIVE GASKET 495 X 80 APERTURE	
5	SP-02-0019	BASKET 17,5 LITRES		11	SP-02-0074	FLANGE 495 X 80 APERTURE WITHOUT INS	
6	SP-02-0020	REGULATING PLUG		12	SP-02-0011	PLATE 495 X 80 APERTURE	

CODICE **E-12NORM-L**

 DESCRIZIONE: **SKIMMER 17,5 L. 495 X 80 SENZA INSERTI**

ITALIANO

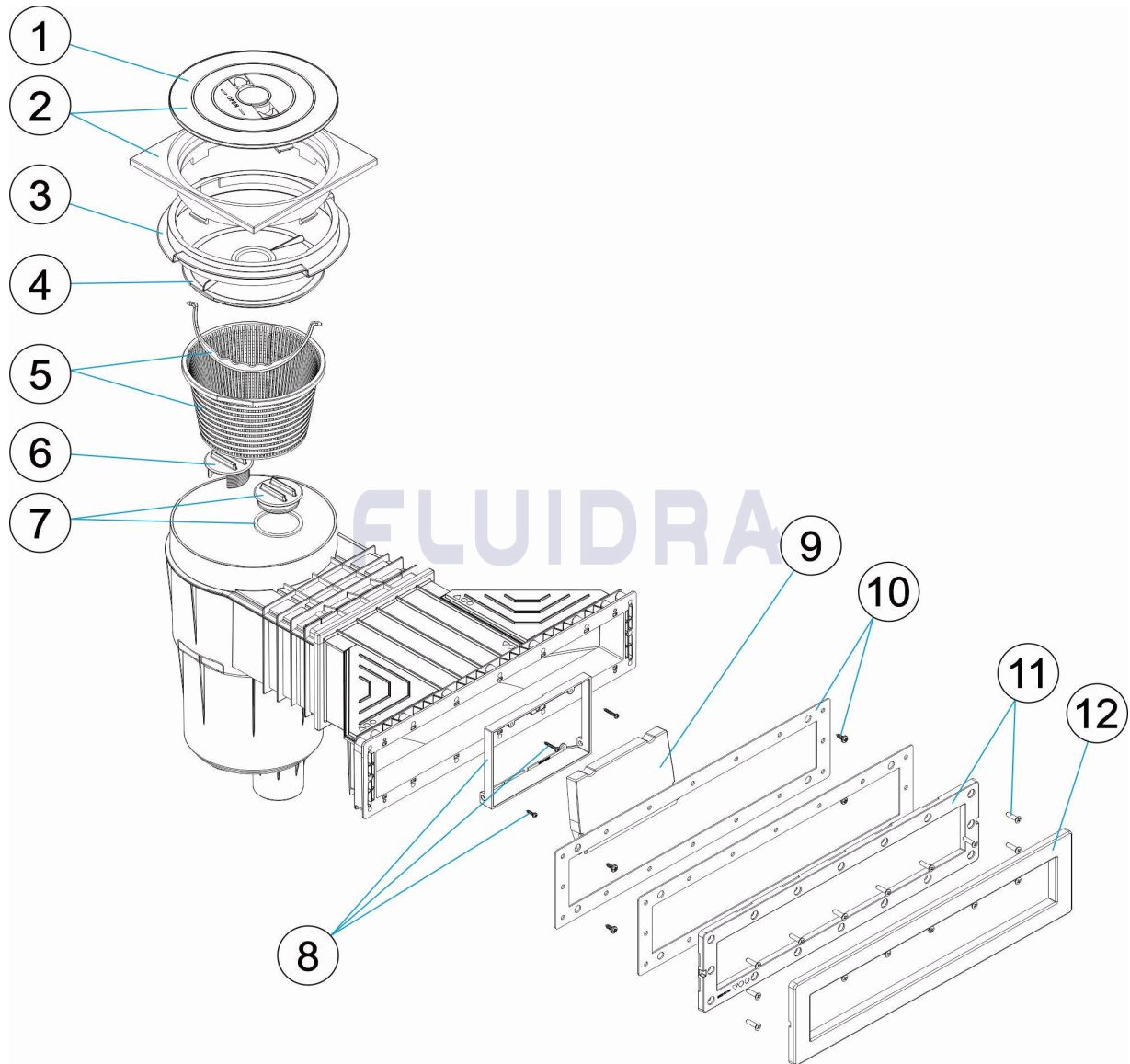
POS	CODICE	DESCRIZIONE	QUANTITA'	POS	CODICE	DESCRIZIONE	QUANTITA'
1	SP-02-0090	COPERCHIO SKIMMER		7	SP-02-0021	TAPPO CON GUARNIZIONE	
2	SP-02-0013	FLANGIA QUADRATA E COPERCHIO		8	SP-02-0022	CORNICE BATTENTE SKIMMER	
3	SP-02-0017	ANELLO DISTANZIATORE SKIMMER		9	SP-02-0023	BATTENTE SKIMMER CON CLIP	
4	SP-02-0018	COPERCHIO CESTELLO SKIMMER		10	SP-02-0024	GUARNIZIONE ADESIVA 495 X 80	
5	SP-02-0019	CESTELLO SKIMMER DA 17,5 LITRI		11	SP-02-0074	FLANGIA 495 X 80 SENZA INSERTI	
6	SP-02-0020	TAPPO DI REGOLAZIONE		12	SP-02-0011	FLANGIA DI RIFINITURA 495 X 80	

CODE **E-12NORM-L**

 BESCHREIBUNG: **SKIMMER 17,5 L. EINLASS 495 X 80 OHNE EINSÄTZEN**

DEUTSCH

POS	CODE	BESCHREIBUNG	MENGE	POS	CODE	BESCHREIBUNG	MENGE
1	SP-02-0090	SKIMMERDECKEL		7	SP-02-0021	STOPFEN UND DICHTUNG	
2	SP-02-0013	QUADRATISCHER RAHMEN UND ABDECKL		8	SP-02-0022	RAHMEN SKIMMERKLAPPE	
3	SP-02-0017	DISTANZRING SKIMMER		9	SP-02-0023	SKIMMERKLAPPE MIT CLIP	
4	SP-02-0018	ABDECKUNG SKIMMKORB		10	SP-02-0024	DICHTUNG SELBSTKLEBEND EINLASS 495	
5	SP-02-0019	SKIMMERKORB 17,5 L		11	SP-02-0074	EINLASSFLANSCH 495 X 80 OHNE EINSÄTZ	
6	SP-02-0020	STOPFEN REGULIERUNG		12	SP-02-0011	BLENDE EINLASS 495 X 80	

CODIGO **E-12NORM-L**

 DESCRIÇÃO: **SKIMMER 17,5 L. BOCA 495 X 80 SEM INSERÇÕES**

PORTUGUES

POS	CODIGO	DESCRIÇÃO	JANTIDADE	POS	CODIGO	DESCRIÇÃO	JANTIDADE
1	SP-02-0090	TAMPA SKIMMER		7	SP-02-0021	TAMPA COM JUNTA	
2	SP-02-0013	ARO QUADRADO E TAMPA		8	SP-02-0022	CAIXILHO COMPORTA SKIMMER	
3	SP-02-0017	ANEL DISTANCIADOR SKIMMER		9	SP-02-0023	COMPORTA SKIMMER CLIP	
4	SP-02-0018	TAMPA CESTO SKIMMER		10	SP-02-0024	JUNTA ADESIVA BOCA 495 X 80	
5	SP-02-0019	CESTO SKIMMER 17,5 LTS		11	SP-02-0074	FLANGE BOCA 495 X 80 SEM INSERÇÕES	
6	SP-02-0020	TAMPA REGULADORA		12	SP-02-0011	EMBELEZADOR BOCA 495 X 80	