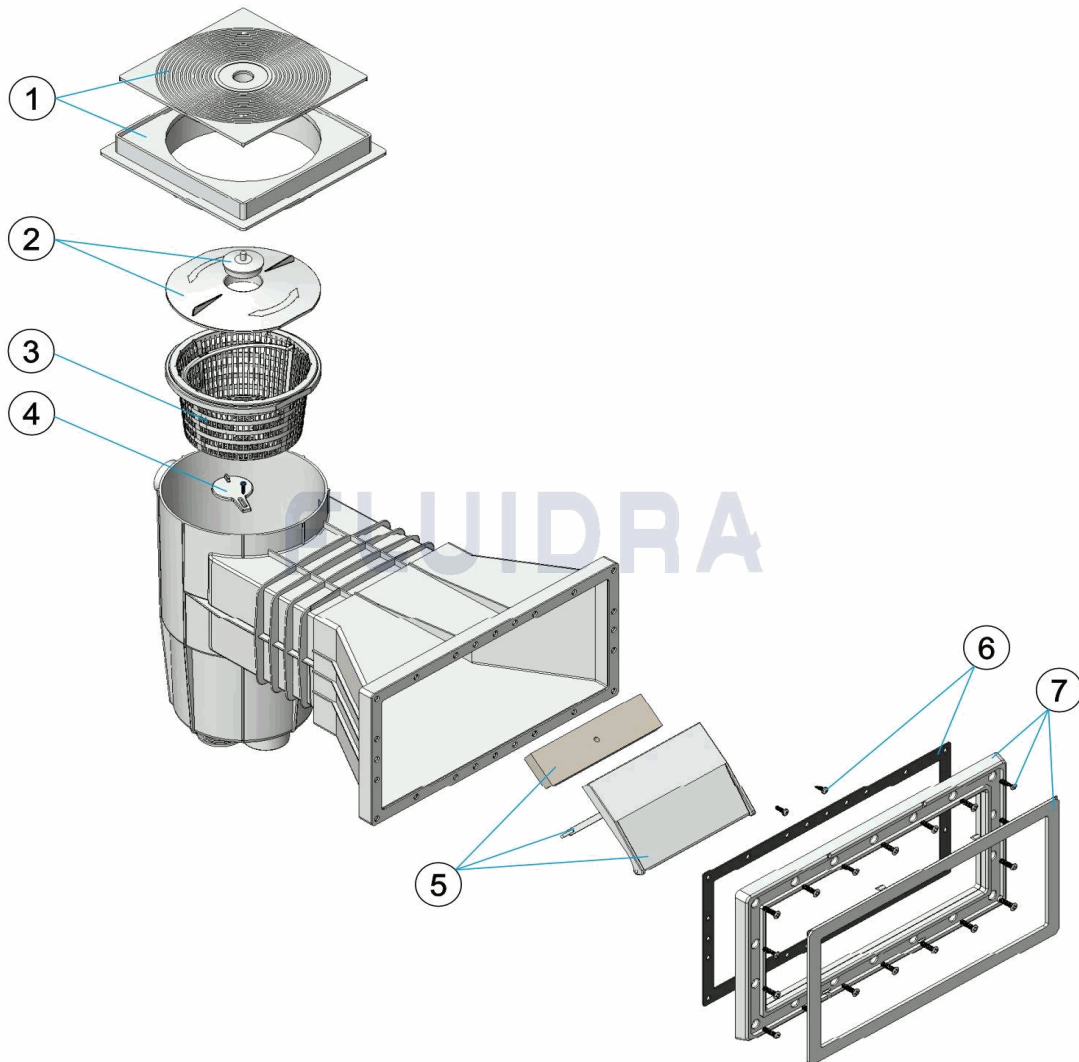
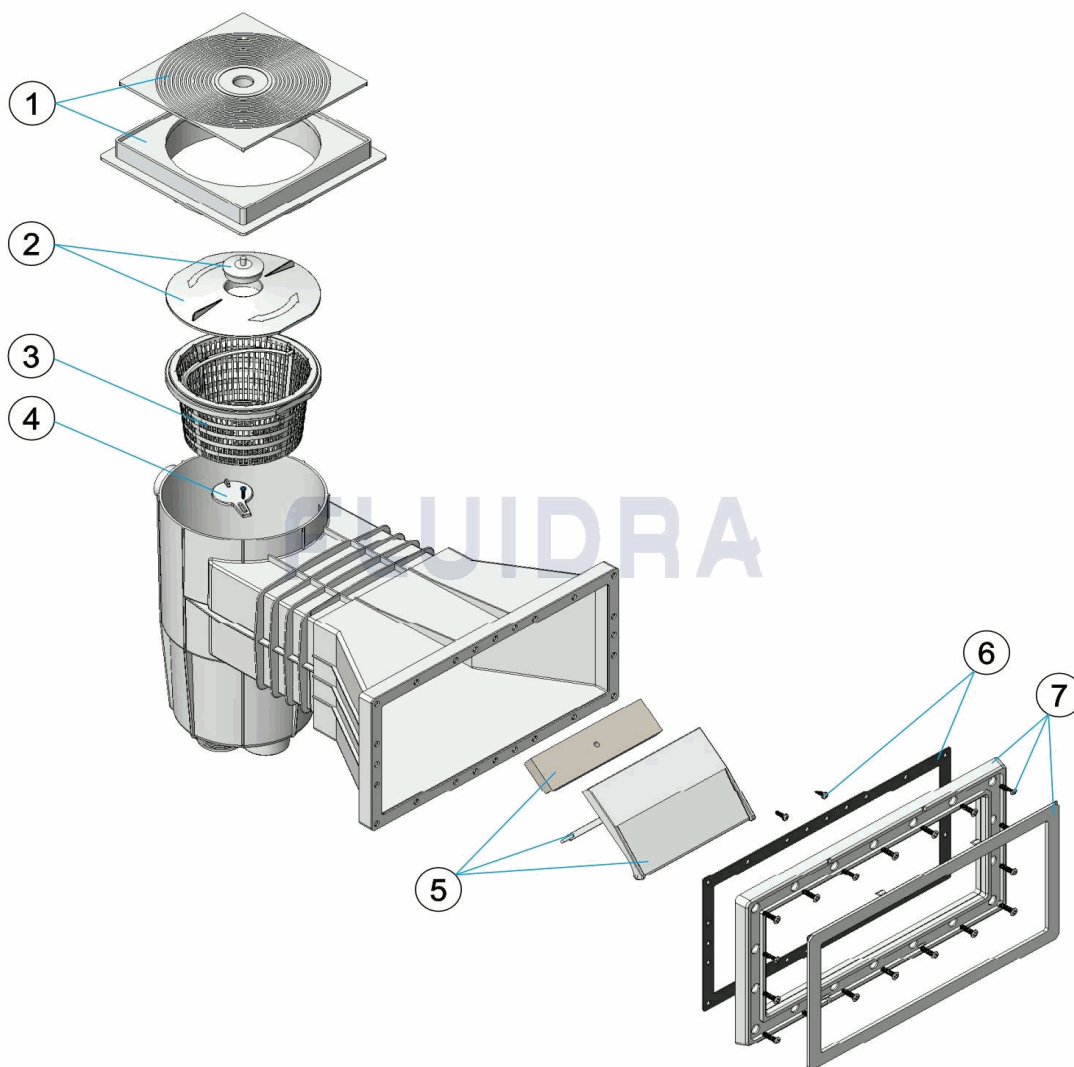


CODIGO **A-056**

 DESCRIPCION: **SKIMMER 15L PP B. ANCHA TAPA CUADRADA**

ESPAÑOL

POS	CODIGO	DESCRIPCION	CANTIDAD	POS	CODIGO	DESCRIPCION	CANTIDAD
1	SP-02-0067	TAPA Y ARO CUADRADO SKIMMER	5	5	SP-02-0072	COMPUERTA SKIMMER BISAGRA	
2	SP-02-0068	TAPA CESTO SKIMMER CON TAPON	6	6	SP-02-0076	JUNTA PISCINA PREFABRICADA	
3	SP-02-0069	CESTO SKIMMER	7	7	SP-02-0077	MARCO BOCA SKIMMER PISC. PREF.	
4	SP-02-0044	CLAPETA SKIMMER					

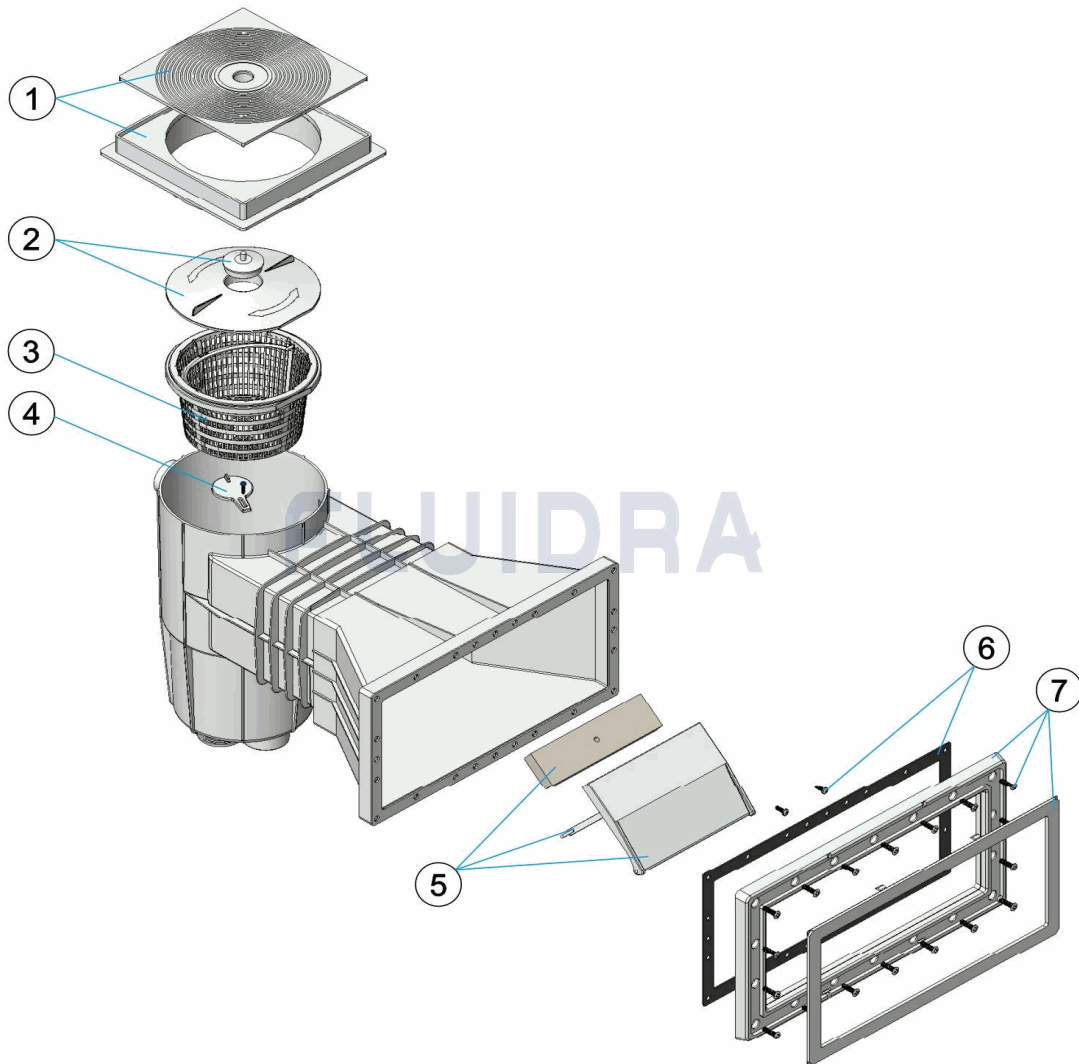
CODE **A-056**

 DESCRIPTION: **SKIMMER 15L PP O. LARGE COUVERCLE CARRÉ**

FRANCAIS

POS	CODE	DESCRIPTION	QUANTITE	POS	CODE	DESCRIPTION	QUANTITE
1	SP-02-0067	COUVERCLE ET CADRE CARRE SKIMMER	5	5	SP-02-0072	VOLET ET CHARNIERE SKIMMER	
2	SP-02-0068	COUVERCLE PANIER SKIMMER AVEC BOU		6	SP-02-0076	JOINT PISCINE LINER	
3	SP-02-0069	PANIER SKIMMER		7	SP-02-0077	BRIDE ET CACHE VIS KIT LINER	
4	SP-02-0044	CLAPET SKIMMER					

CODE **A-056**

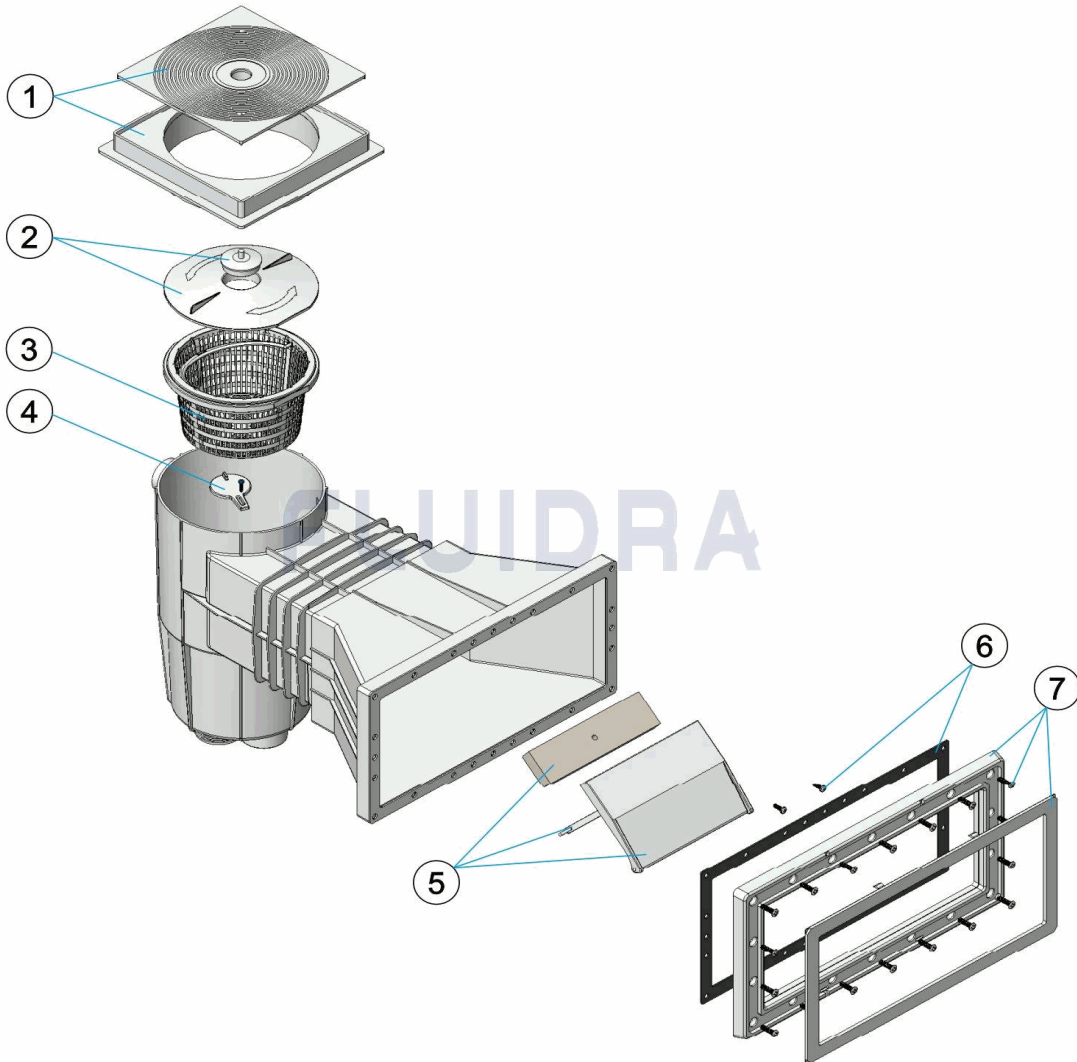
DESCRIPTION: **SKIMMER 15L PP WIDE MOUTH SCREW SQUARE COVER**



ENGLISH

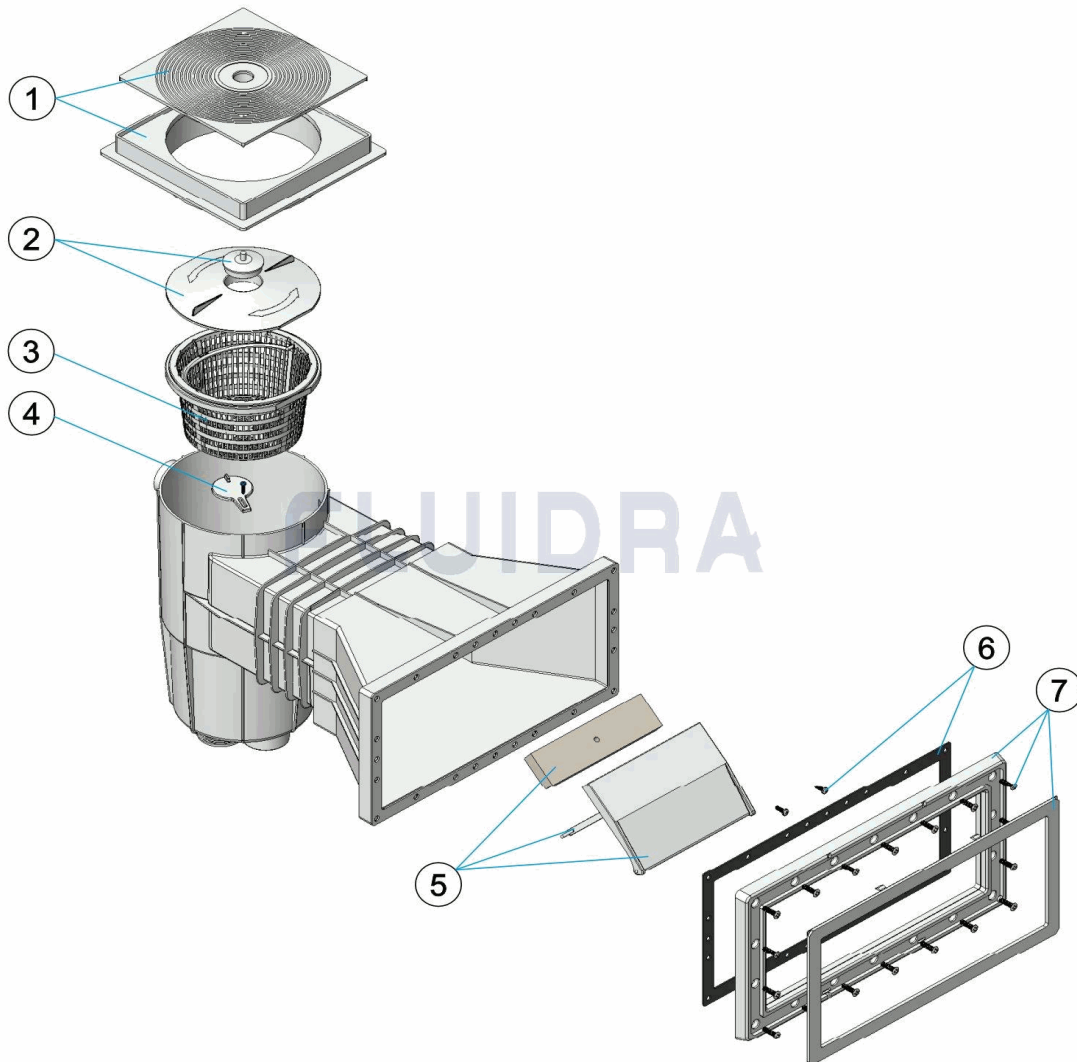
POS	CODE	DESCRIPTION	QUANTITY	POS	CODE	DESCRIPTION	QUANTITY
1	SP-02-0067	SQUARE LID AND LID FRAME		5	SP-02-0072	FLAP RETAINING CLIP	
2	SP-02-0068	VACUUM PLATE WITH PLUG		6	SP-02-0076	LINER POOL GASKET	
3	SP-02-0069	SKIMMER BASKET		7	SP-02-0077	SKIMMER FRAME FOR LINER	
4	SP-02-0044	KEYHOLE FLAP					

CODICE **A-056**

 DESCRIZIONE: **SKIMMER 15L PP B. LARGA TAPPO QUADRATO**

ITALIANO

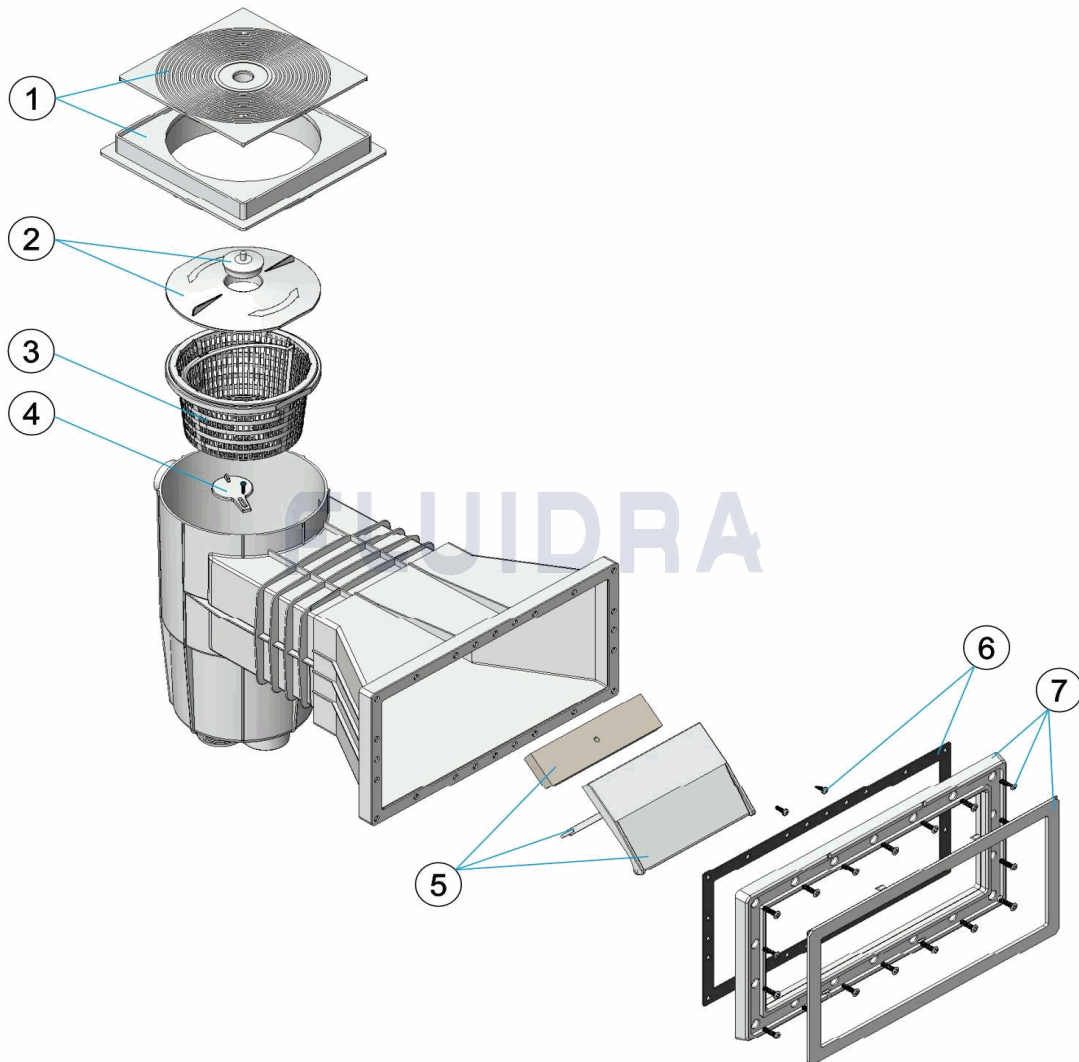
POS	CODICE	DESCRIZIONE	QUANTITA'	POS	CODICE	DESCRIZIONE	QUANTITA'
1	SP-02-0067	COPERCHIO E CORNICE QUADRA SKIMME	5	5	SP-02-0072	BATTENTE SKIMMER CON PERNO	
2	SP-02-0068	COPERCHIO CESTELLO SKIMMER CON TA	6	6	SP-02-0076	GUARNIZIONE PISCINA PREF	
3	SP-02-0069	CESTELLO SKIMMER	7	7	SP-02-0077	FLANGIA BOCCA SKIMMER PER PISCINA IN	
4	SP-02-0044	ALETTA PARZIALIZZATRICE SKIMMER					

CODE **A-056**

 BESCHREIBUNG: **SKIMMER 15L PP EINLASS BREIT ABDECKUNG QUADRATISCH**

DEUTSCH

POS	CODE	BESCHREIBUNG	MENGE	POS	CODE	BESCHREIBUNG	MENGE
1	SP-02-0067	ABDECKUNG UND RING SKIMMER QUADR	5	SP-02-0072	SKIMMERKLAPPE SCHARNIER		
2	SP-02-0068	ABDECKUNG SKIMMKORB MIT STOPFEN	6	SP-02-0076	DICHTUNG FERTIGBECKEN		
3	SP-02-0069	SKIMMERKORB	7	SP-02-0077	RAHMEN SKIMMEREINLASS FERTIGBECKE		
4	SP-02-0044	ABDECKKAPPE					

CODIGO **A-056**

 DESCRIÇÃO: **SKIMMER 15 L PP B. LARGA TAMPA QUADRADA**

PORTUGUES

POS	CODIGO	DESCRIÇÃO	JANTIDADE	POS	CODIGO	DESCRIÇÃO	JANTIDADE
1	SP-02-0067	TAMPA E ARO QUADRADO SKIMMER	5	5	SP-02-0072	COMPORTA SKIMMER BISAGRA	
2	SP-02-0068	TAMPA CESTO SKIMMER		6	SP-02-0076	JUNTA RALO PISCINA PRÉ-FABRICADA	
3	SP-02-0069	CESTO SKIMMER		7	SP-02-0077	CAIXILHO BOCA SKIMMER	
4	SP-02-0044	CLAPETA SKIMMER					