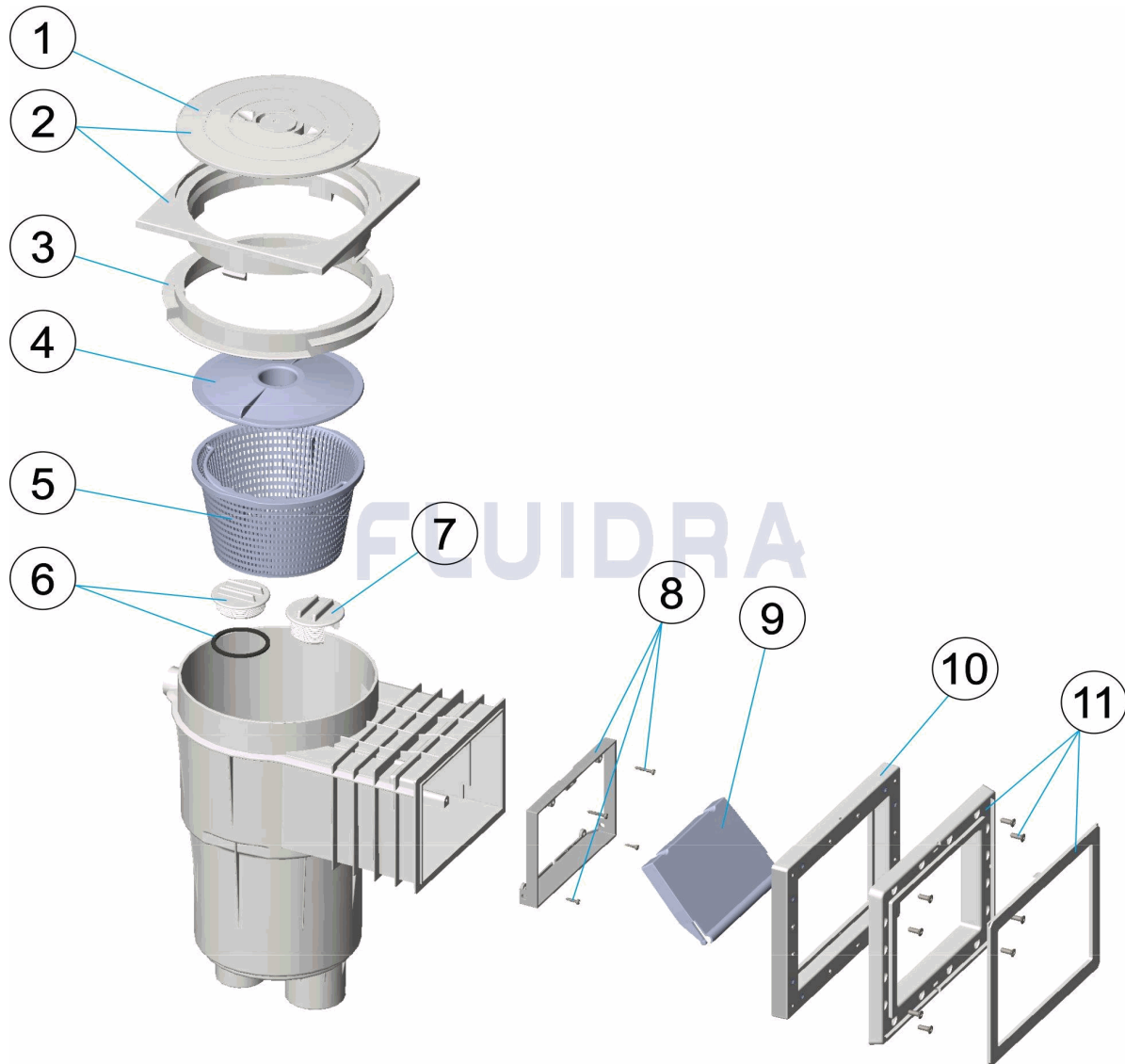
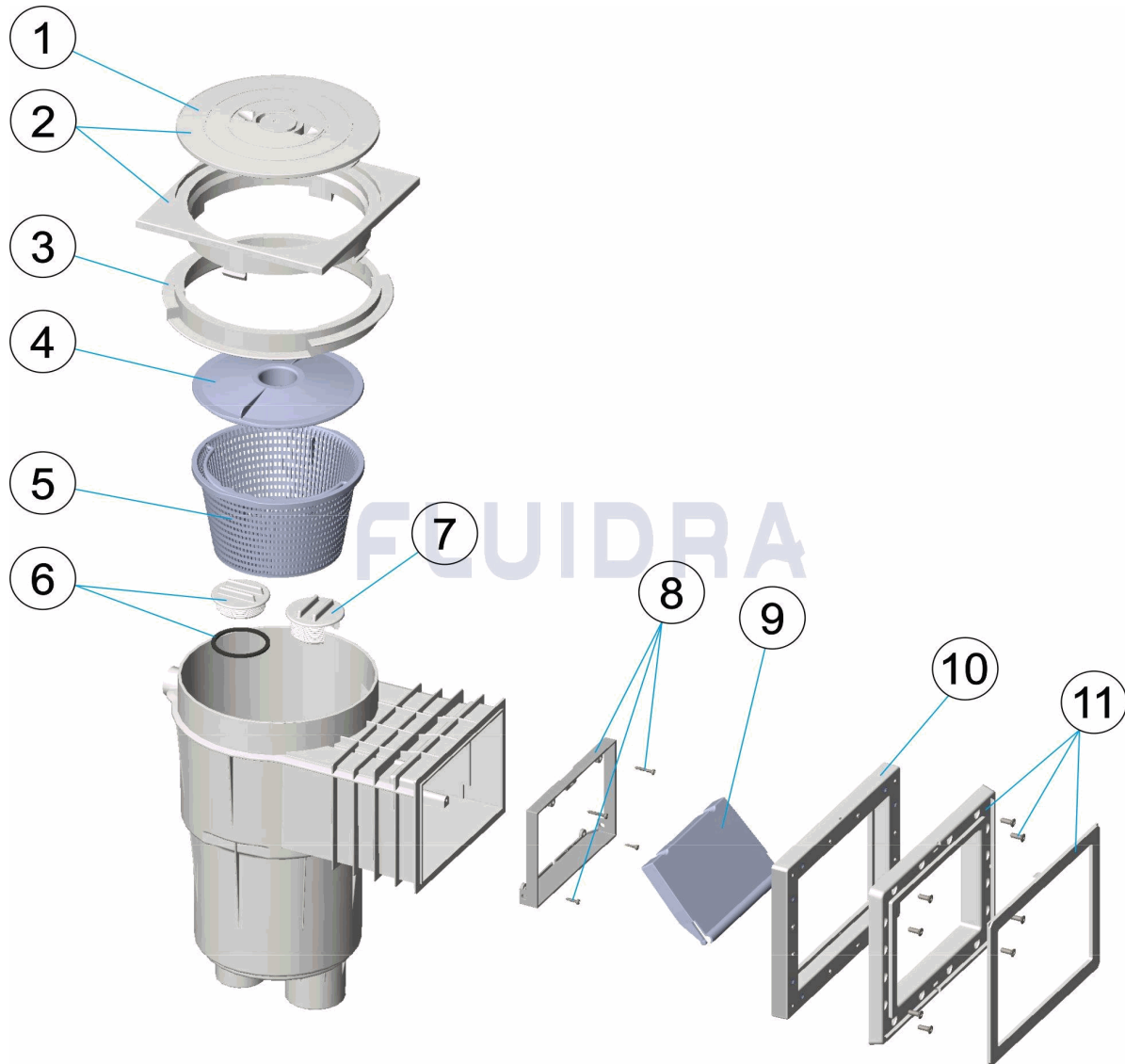


CODIGO **A-059**

 DESCRIPCION: **SKIMMER 17,5L PF B.STD. T. CUADRADA**

ESPAÑOL

POS	CODIGO	DESCRIPCION	CANTIDAD	POS	CODIGO	DESCRIPCION	CANTIDAD
1	SP-02-0090	TAPA SKIMMER		7	SP-02-0020	TAPON REGULADOR	
2	SP-02-0013	MARCO CUADRADO Y TAPA		8	SP-02-0022	MARCO COMPUERTA SKIMMER	
3	SP-02-0017	ANILLO DISTANCIADOR SKIMMER		9	SP-02-0023	COMPUERTA SKIMMER CON CLIP	
4	SP-02-0018	TAPA CESTO SKIMMER		10	SP-02-0088	ADAPTADOR SKIMMER	
5	SP-02-0019	CESTO SKIMMER 17,5 LTS.		11	SP-02-0087	BRIDA BOCA SKIMMER	
6	SP-02-0021	TAPON CON JUNTA					

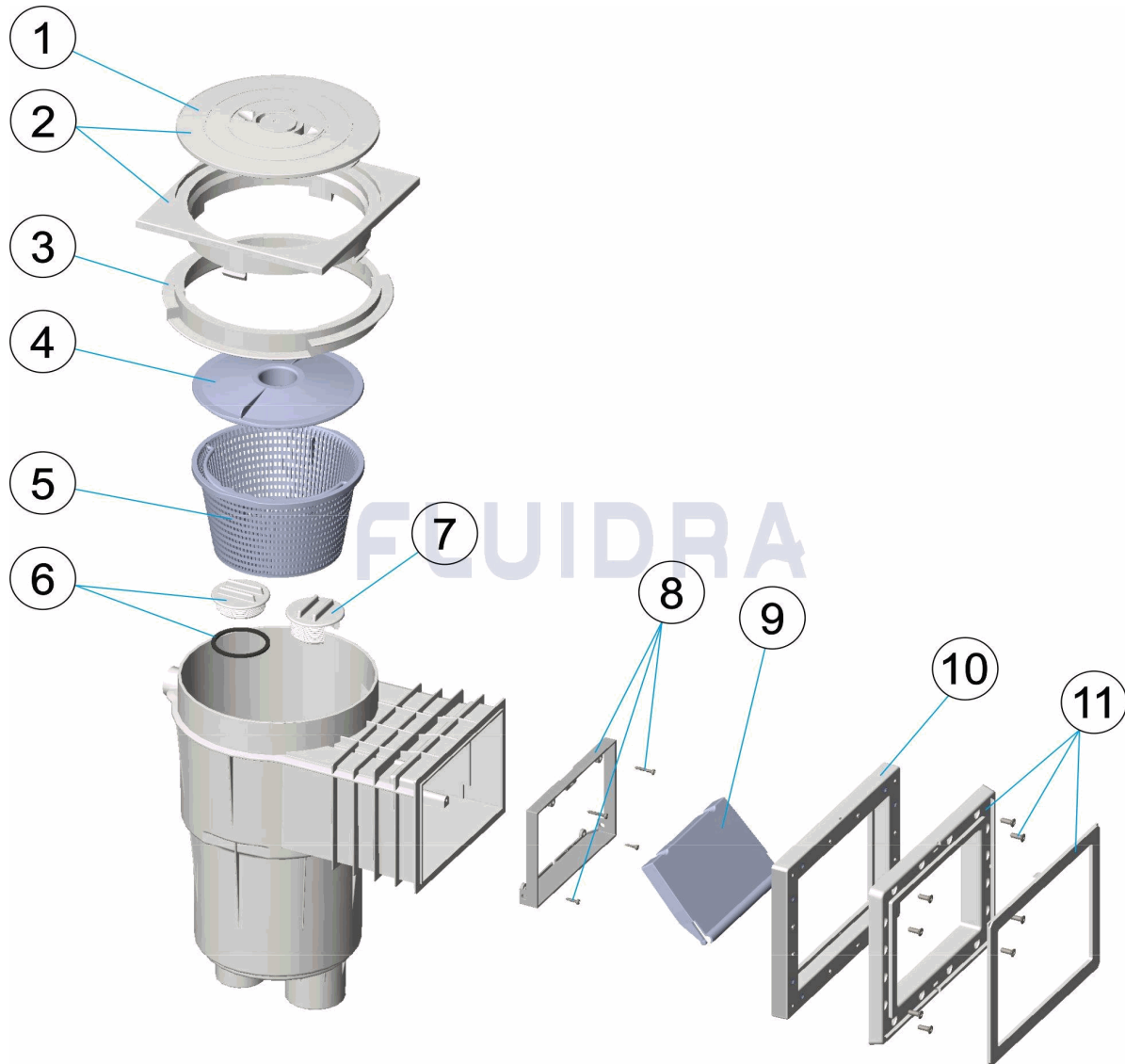
CODE **A-059**

 DESCRIPTION: **SKIMMER 17,5L PF O.STD. C. CARRÉ**

FRANCAIS

POS	CODE	DESCRIPTION	QUANTITE	POS	CODE	DESCRIPTION	QUANTITE
1	SP-02-0090	COUVERCLE ROND DE SKIMMER		7	SP-02-0020	BOUCHON REGULATEUR	
2	SP-02-0013	CADRE ET COUVERCLE ROND		8	SP-02-0022	CADRE VOLET SKIMMER	
3	SP-02-0017	CADRE REHAUSSE COUVERCLE		9	SP-02-0023	VOLET DE SKIMMER	
4	SP-02-0018	COUVERCLE PANIER SKIMMER		10	SP-02-0088	ADAPTATEUR SKIMMER	
5	SP-02-0019	PANIER SKIMMER 17,5 LTS		11	SP-02-0087	BRIDE DE BOUCHE SKIMMER	
6	SP-02-0021	BOUCHON SKIMMER AVEC JOINT					

CODE **A-059**

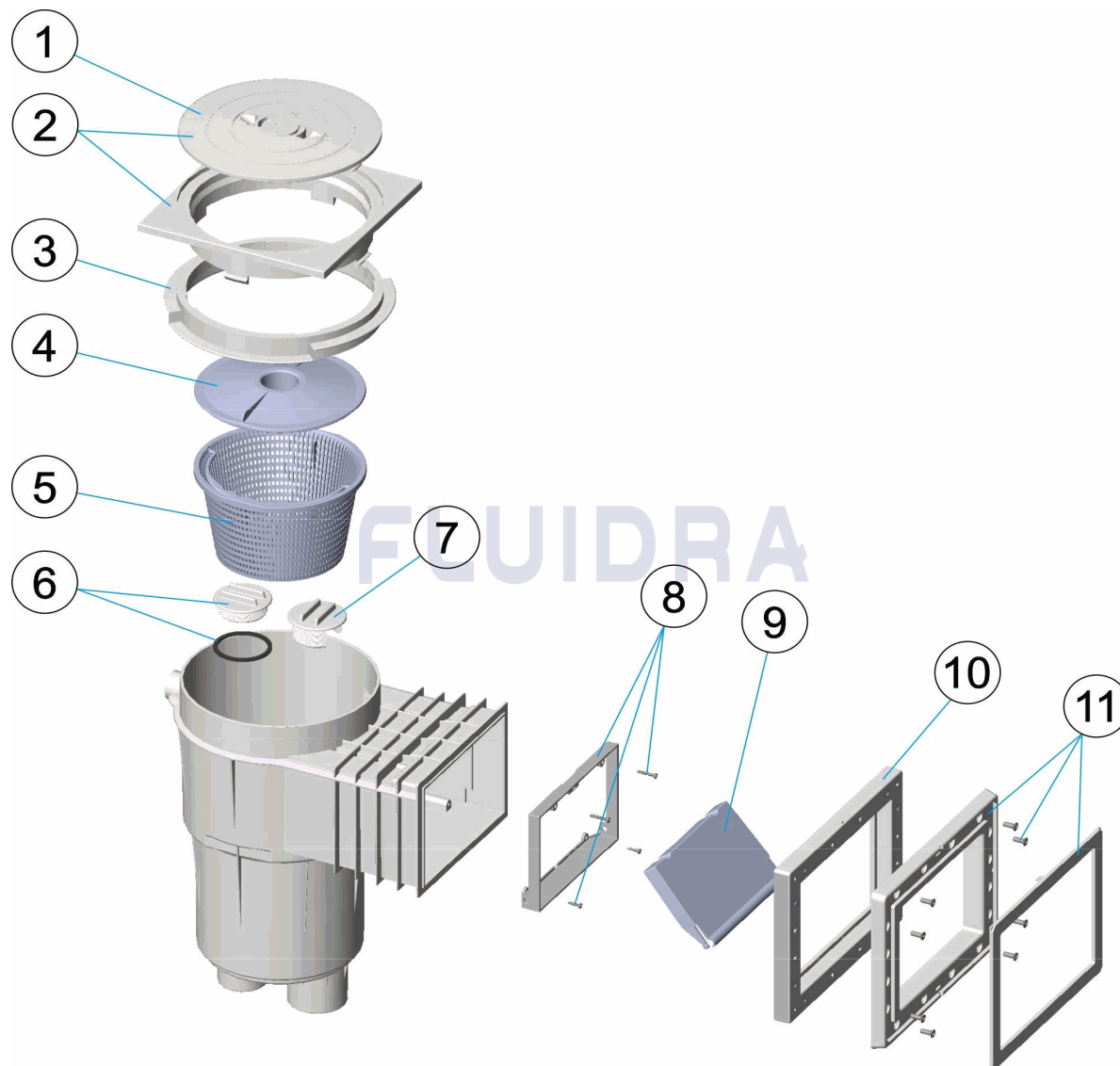
DESCRIPTION: **SKIMMER 17.5L PF. B.STD SQUARE COVER**



ENGLISH

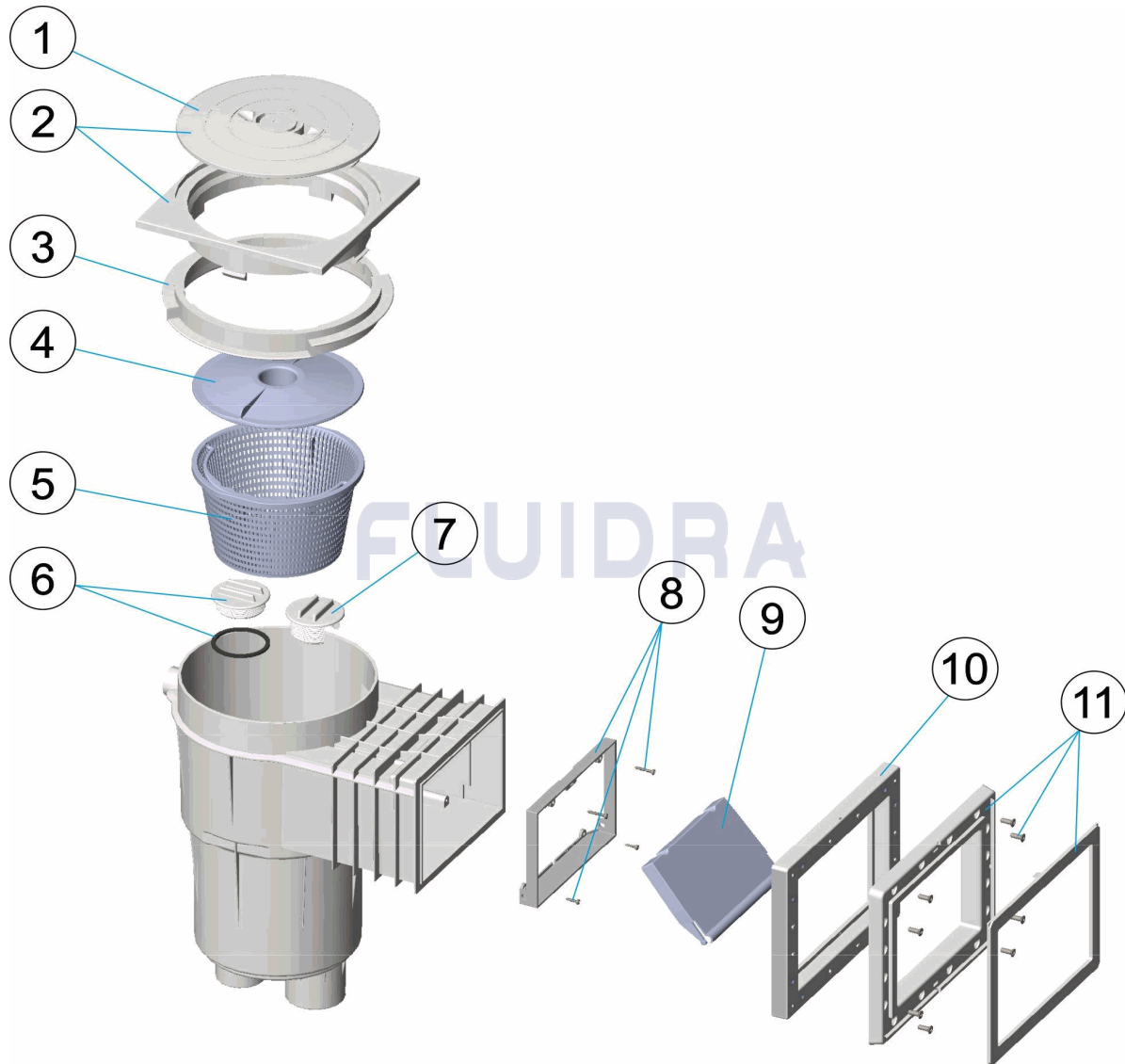
POS	CODE	DESCRIPTION	QUANTITY	POS	CODE	DESCRIPTION	QUANTITY
1	SP-02-0090	SKIMMER LID		7	SP-02-0020	REGULATING PLUG	
2	SP-02-0013	SQUARE RIM AND LID		8	SP-02-0022	FLAP FRAME	
3	SP-02-0017	COLLAR EXTENSION RING		9	SP-02-0023	SKIMMER FLAP	
4	SP-02-0018	VACUUM PLATE		10	SP-02-0088	SKIMMER ADAPTER	
5	SP-02-0019	BASKET 17,5 LITRES		11	SP-02-0087	FLANGE MOUTH WITH SKIMMER	
6	SP-02-0021	BLANKING PLUG AND 'O' RING					

CODICE **A-059**

 DESCRIZIONE: **SKIMMER 17,5L PF B. STD. TAPPO QUADRATO**

ITALIANO

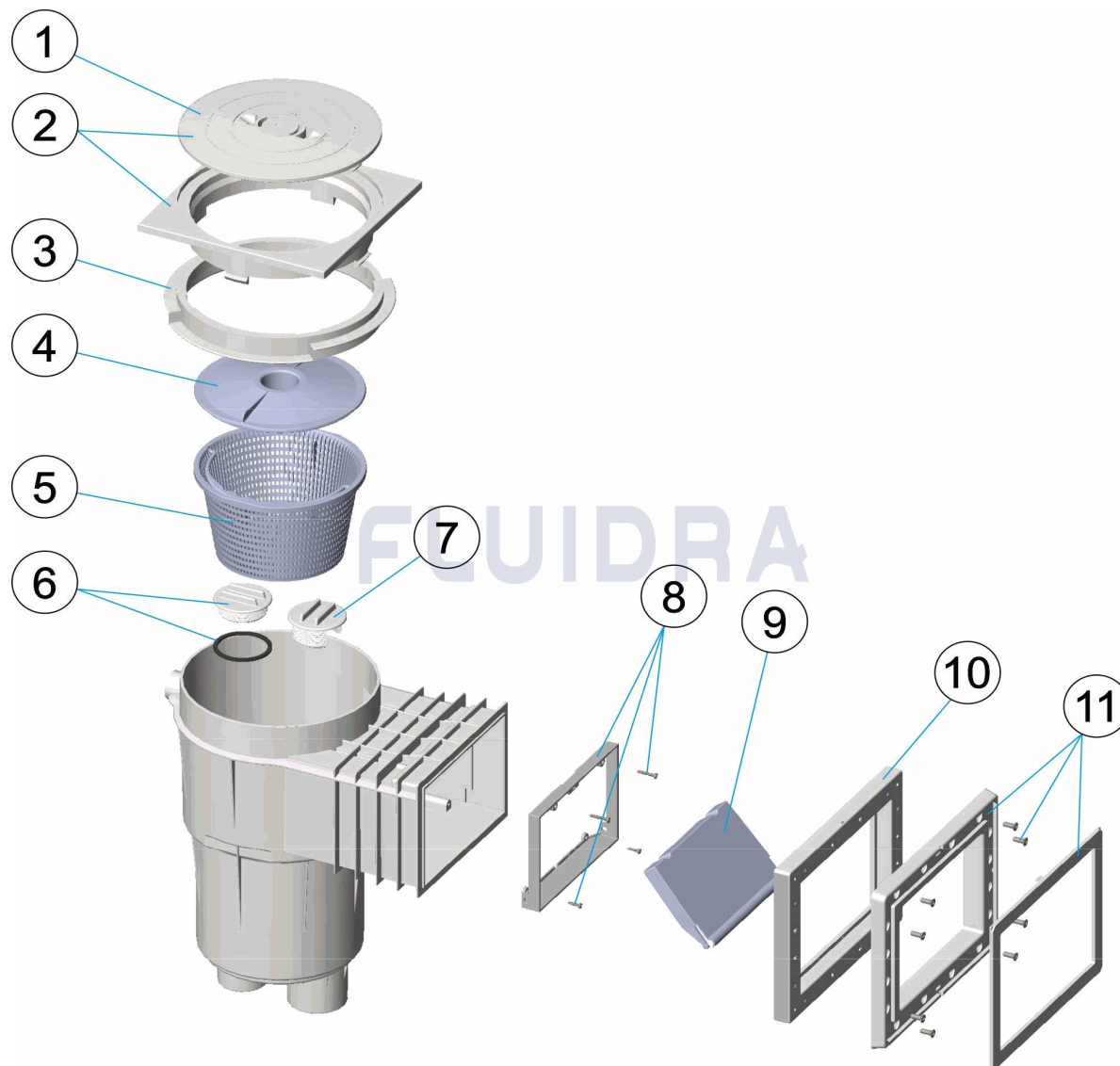
POS	CODICE	DESCRIZIONE	QUANTITA'	POS	CODICE	DESCRIZIONE	QUANTITA'
1	SP-02-0090	COPERCHIO SKIMMER		7	SP-02-0020	TAPPO DI REGOLAZIONE	
2	SP-02-0013	FLANGIA QUADRATA E COPERCHIO		8	SP-02-0022	CORNICE BATTENTE SKIMMER	
3	SP-02-0017	ANELLO DISTANZIATORE SKIMMER		9	SP-02-0023	BATTENTE SKIMMER CON CLIP	
4	SP-02-0018	COPERCHIO CESTELLO SKIMMER		10	SP-02-0088	ADATTATORE SKIMMER	
5	SP-02-0019	CESTELLO SKIMMER DA 17,5 LITRI		11	SP-02-0087	FLANGIA BOCCHETTASKIMMER	
6	SP-02-0021	TAPPO CON GUARNIZIONE					

CODE **A-059**

 BESCHREIBUNG: **SKIMMER 17,5L PF EINLASS STANDARD ABDECKUNG QUADRATISCH**

DEUTSCH

POS	CODE	BESCHREIBUNG	MENGE	POS	CODE	BESCHREIBUNG	MENGE
1	SP-02-0090	SKIMMERDECKEL		7	SP-02-0020	STOPFEN REGULIERUNG	
2	SP-02-0013	QUADRATISCHER RAHMEN UND ABDECKL		8	SP-02-0022	RAHMEN SKIMMERKLAPPE	
3	SP-02-0017	DISTANZRING SKIMMER		9	SP-02-0023	SKIMMERKLAPPE MIT CLIP	
4	SP-02-0018	ABDECKUNG SKIMMKORB		10	SP-02-0088	SKIMMERADAPTER	
5	SP-02-0019	SKIMMERKORB 17,5 L		11	SP-02-0087	FLANSCH SKIMMEREINLASS	
6	SP-02-0021	STOPFEN UND DICHTUNG					

CODIGO **A-059**

 DESCRIÇÃO: **SKIMMER 17,5 L PF B. STD. T. QUADRADA**

PORTUGUES

POS	CODIGO	DESCRIÇÃO	JANTIDADE	POS	CODIGO	DESCRIÇÃO	JANTIDADE
1	SP-02-0090	TAMPA SKIMMER		7	SP-02-0020	TAMPA REGULADORA	
2	SP-02-0013	ARO QUADRADO E TAMPA		8	SP-02-0022	CAIXILHO COMPORTA SKIMMER	
3	SP-02-0017	ANEL DISTANCIADOR SKIMMER		9	SP-02-0023	COMPORTA SKIMMER CLIP	
4	SP-02-0018	TAMPA CESTO SKIMMER		10	SP-02-0088	ADAPTADOR SKIMMER	
5	SP-02-0019	CESTO SKIMMER 17,5 LTS		11	SP-02-0087	FLANGE BOCA SKIMMER	
6	SP-02-0021	TAMPA COM JUNTA					