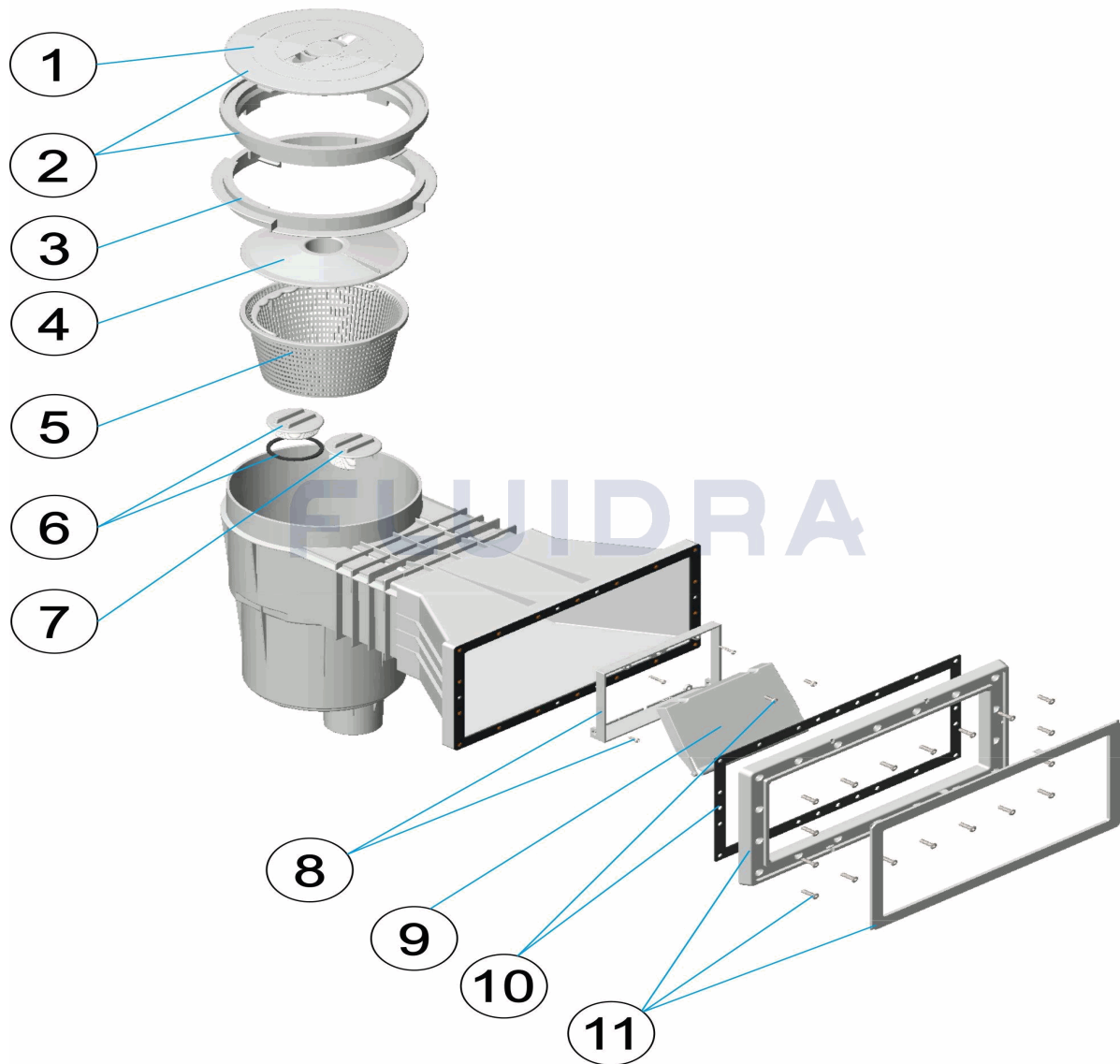
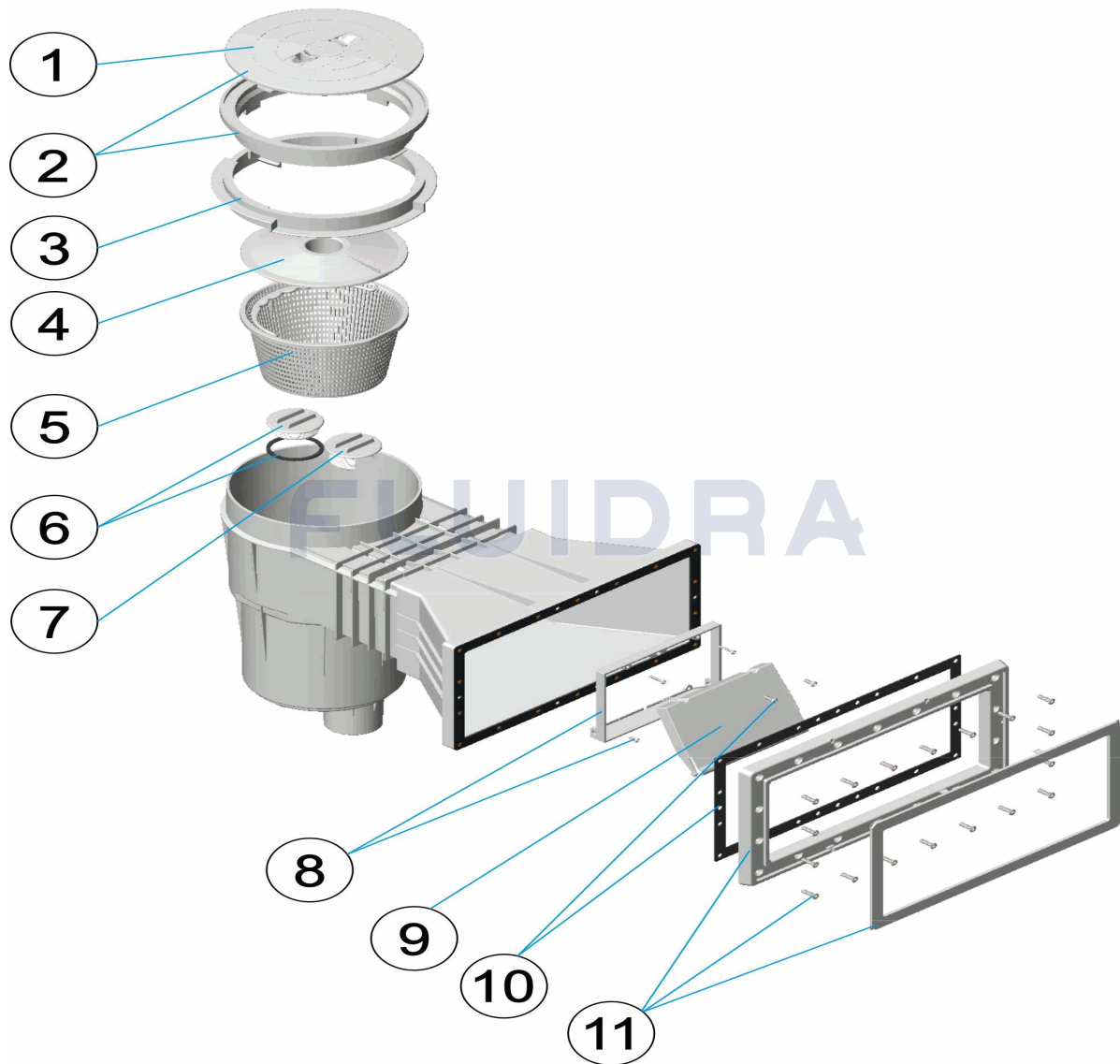


CODIGO **A-057**

 DESCRIPCION: **SKIMMER 17,5L PP B.AMPL. TAPA CIRCULAR**

ESPAÑOL

| POS | CODIGO | DESCRIPCION | CANTIDAD | POS | CODIGO | DESCRIPCION | CANTIDAD |
|-----|------------|-----------------------------|----------|-----|------------|--------------------------------|----------|
| 1 | SP-02-0090 | TAPA SKIMMER | | 7 | SP-02-0020 | TAPON REGULADOR | |
| 2 | SP-02-0091 | ARO CON TAPA SKIMMER | | 8 | SP-02-0022 | MARCO COMPUERTA SKIMMER | |
| 3 | SP-02-0017 | ANILLO DISTANCIADOR SKIMMER | | 9 | SP-02-0023 | COMPUERTA SKIMMER CON CLIP | |
| 4 | SP-02-0018 | TAPA CESTO SKIMMER | | 10 | SP-02-0076 | JUNTA PISCINA PREFABRICADA | |
| 5 | SP-02-0019 | CESTO SKIMMER 17,5 LTS. | | 11 | SP-02-0077 | MARCO BOCA SKIMMER PISC. PREF. | |
| 6 | SP-02-0021 | TAPON CON JUNTA | | | | | |

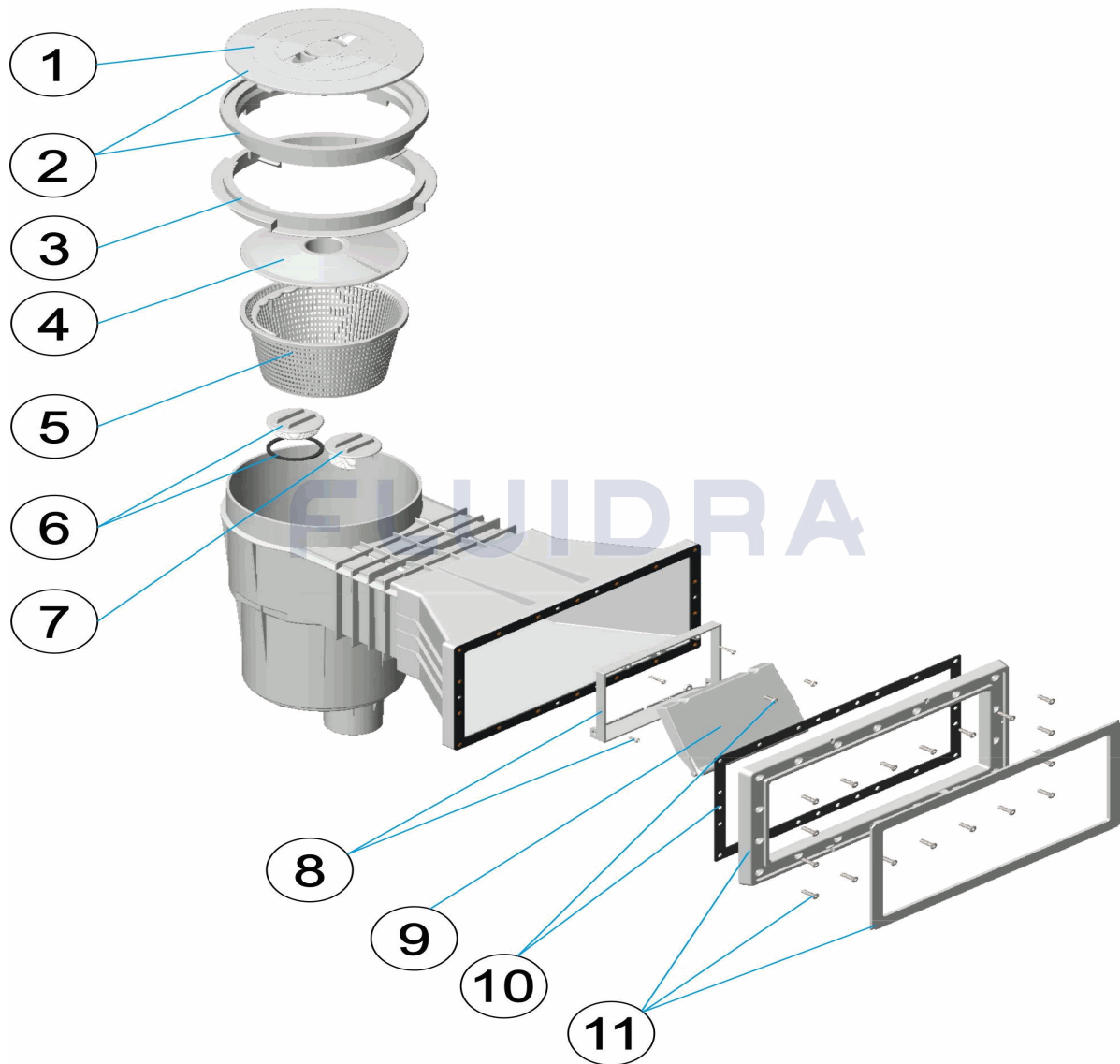
CODE **A-057**

 DESCRIPTION: **SKIMMER 17,5L PP O.LARGE. COUVERCLE CIRCULAIRE**

FRANCAIS

| POS | CODE | DESCRIPTION | QUANTITE | POS | CODE | DESCRIPTION | QUANTITE |
|-----|------------|-------------------------------|----------|-----|------------|------------------------------|----------|
| 1 | SP-02-0090 | COUVERCLE ROND DE SKIMMER | | 7 | SP-02-0020 | BOUCHON REGULATEUR | |
| 2 | SP-02-0091 | COUVERCLE ET CADRE DE SKIMMER | | 8 | SP-02-0022 | CADRE VOLET SKIMMER | |
| 3 | SP-02-0017 | CADRE REHAUSSE COUVERCLE | | 9 | SP-02-0023 | VOLET DE SKIMMER | |
| 4 | SP-02-0018 | COUVERCLE PANIER SKIMMER | | 10 | SP-02-0076 | JOINT PISCINE LINER | |
| 5 | SP-02-0019 | PANIER SKIMMER 17,5 LTS | | 11 | SP-02-0077 | BRIDE ET CACHE VIS KIT LINER | |
| 6 | SP-02-0021 | BOUCHON SKIMMER AVEC JOINT | | | | | |

CODE **A-057**

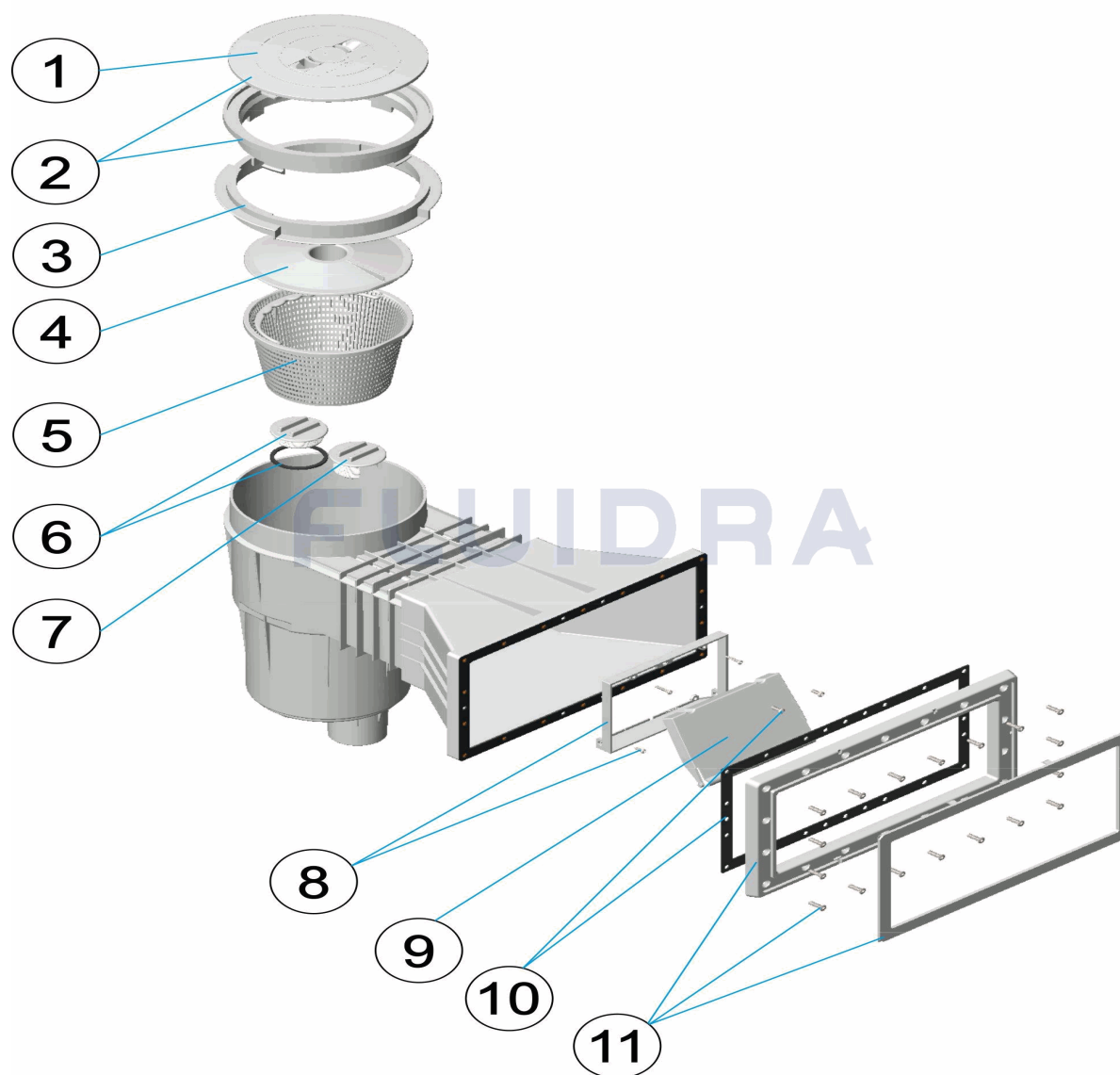
DESCRIPTION: **SKIMMER 17.5L PP WIDE MOUTH ROUND COVER**



ENGLISH

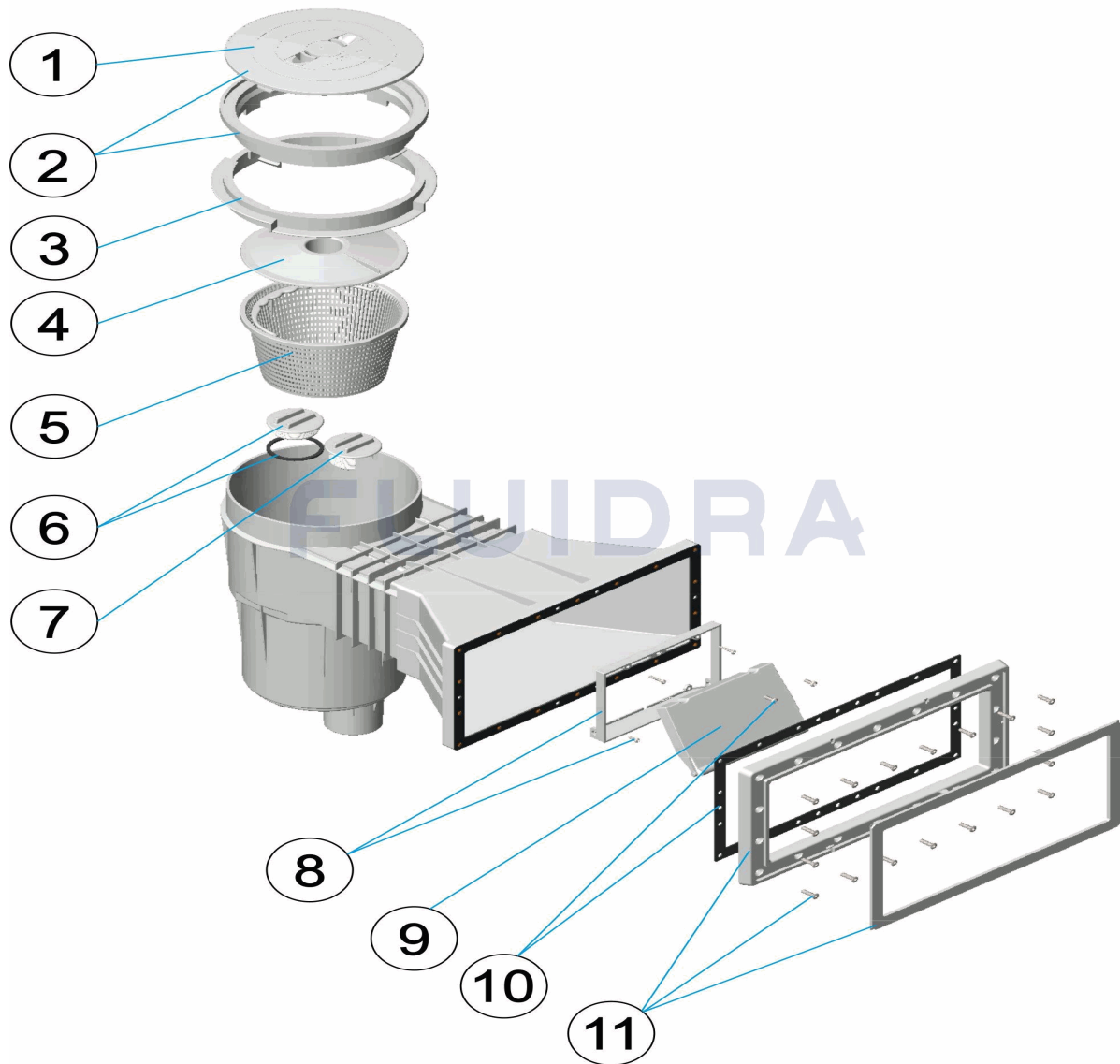
| POS | CODE | DESCRIPTION | QUANTITY | POS | CODE | DESCRIPTION | QUANTITY |
|-----|------------|----------------------------|----------|-----|------------|-------------------------|----------|
| 1 | SP-02-0090 | SKIMMER LID | | 7 | SP-02-0020 | REGULATING PLUG | |
| 2 | SP-02-0091 | LID AND FRAME | | 8 | SP-02-0022 | FLAP FRAME | |
| 3 | SP-02-0017 | COLLAR EXTENSION RING | | 9 | SP-02-0023 | SKIMMER FLAP | |
| 4 | SP-02-0018 | VACUUM PLATE | | 10 | SP-02-0076 | LINER POOL GASKET | |
| 5 | SP-02-0019 | BASKET 17,5 LITRES | | 11 | SP-02-0077 | SKIMMER FRAME FOR LINER | |
| 6 | SP-02-0021 | BLANKING PLUG AND 'O' RING | | | | | |

CODICE **A-057**

 DESCRIZIONE: **SKIMMER 17,5L PP B. AMPL. TAPPO CIRCOLARE**

ITALIANO

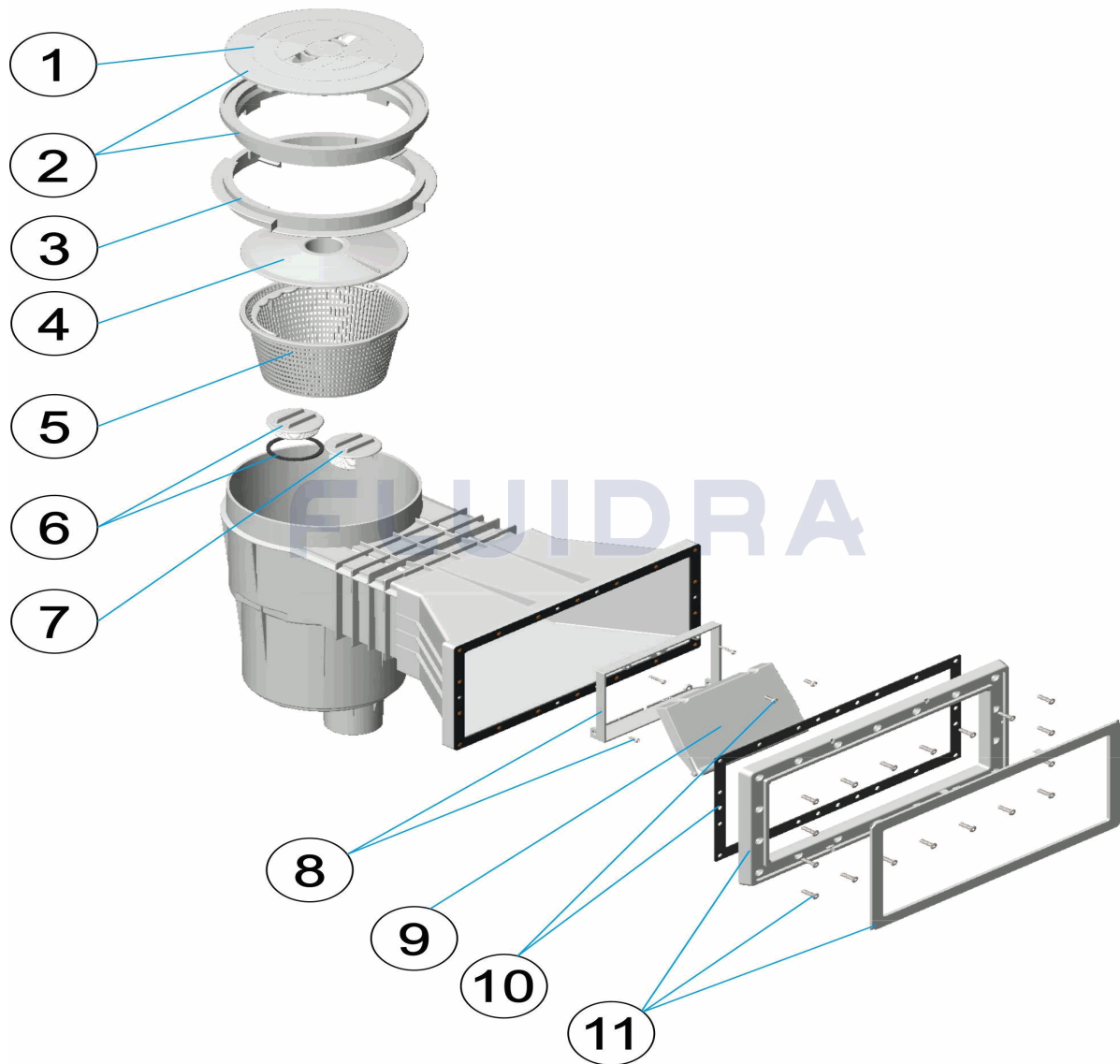
| POS | CODICE | DESCRIZIONE | QUANTITA' | POS | CODICE | DESCRIZIONE | QUANTITA' |
|-----|------------|--------------------------------|-----------|-----|------------|--------------------------------------|-----------|
| 1 | SP-02-0090 | COPERCHIO SKIMMER | | 7 | SP-02-0020 | TAPPO DI REGOLAZIONE | |
| 2 | SP-02-0091 | CORNICE CON COPERCHIO SKIMMER | | 8 | SP-02-0022 | CORNICE BATTENTE SKIMMER | |
| 3 | SP-02-0017 | ANELLO DISTANZIATORE SKIMMER | | 9 | SP-02-0023 | BATTENTE SKIMMER CON CLIP | |
| 4 | SP-02-0018 | COPERCHIO CESTELLO SKIMMER | | 10 | SP-02-0076 | GUARNIZIONE PISCINA PREF | |
| 5 | SP-02-0019 | CESTELLO SKIMMER DA 17,5 LITRI | | 11 | SP-02-0077 | FLANGIA BOCCA SKIMMER PER PISCINA IN | |
| 6 | SP-02-0021 | TAPPO CON GUARNIZIONE | | | | | |

CODE **A-057**

 BESCHREIBUNG: **SKIMMER 17,5L PP EINLASS ERWEITERT ABDECKUNG RUND**

DEUTSCH

| POS | CODE | BESCHREIBUNG | MENGE | POS | CODE | BESCHREIBUNG | MENGE |
|-----|------------|------------------------|-------|-----|------------|-----------------------------------|-------|
| 1 | SP-02-0090 | SKIMMERDECKEL | | 7 | SP-02-0020 | STOPFEN REGULIERUNG | |
| 2 | SP-02-0091 | RING MIT SKIMMERDECKEL | | 8 | SP-02-0022 | RAHMEN SKIMMERKLAPPE | |
| 3 | SP-02-0017 | DISTANZRING SKIMMER | | 9 | SP-02-0023 | SKIMMERKLAPPE MIT CLIP | |
| 4 | SP-02-0018 | ABDECKUNG SKIMMKORB | | 10 | SP-02-0076 | DICHUNG FERTIGBECKEN | |
| 5 | SP-02-0019 | SKIMMERKORB 17,5 L | | 11 | SP-02-0077 | RAHMEN SKIMMEREINLASS FERTIGBECKE | |
| 6 | SP-02-0021 | STOPFEN UND DICHUNG | | | | | |

CODIGO **A-057**

 DESCRIÇÃO: **SKIMMER 17,5 L PP B. AMPL. TAMPA CIRCULAR**

PORTUGUES

| POS | CODIGO | DESCRIÇÃO | JANTIDADE | POS | CODIGO | DESCRIÇÃO | JANTIDADE |
|-----|------------|---------------------------|-----------|-----|------------|----------------------------------|-----------|
| 1 | SP-02-0090 | TAMPA SKIMMER | | 7 | SP-02-0020 | TAMPA REGULADORA | |
| 2 | SP-02-0091 | ARO COM TAMPA SKIMMER | | 8 | SP-02-0022 | CAIXILHO COMPORTA SKIMMER | |
| 3 | SP-02-0017 | ANEL DISTANCIADOR SKIMMER | | 9 | SP-02-0023 | COMPORTA SKIMMER CLIP | |
| 4 | SP-02-0018 | TAMPA CESTO SKIMMER | | 10 | SP-02-0076 | JUNTA RALO PISCINA PRÉ-FABRICADA | |
| 5 | SP-02-0019 | CESTO SKIMMER 17,5 LTS | | 11 | SP-02-0077 | CAIXILHO BOCA SKIMMER | |
| 6 | SP-02-0021 | TAMPA COM JUNTA | | | | | |