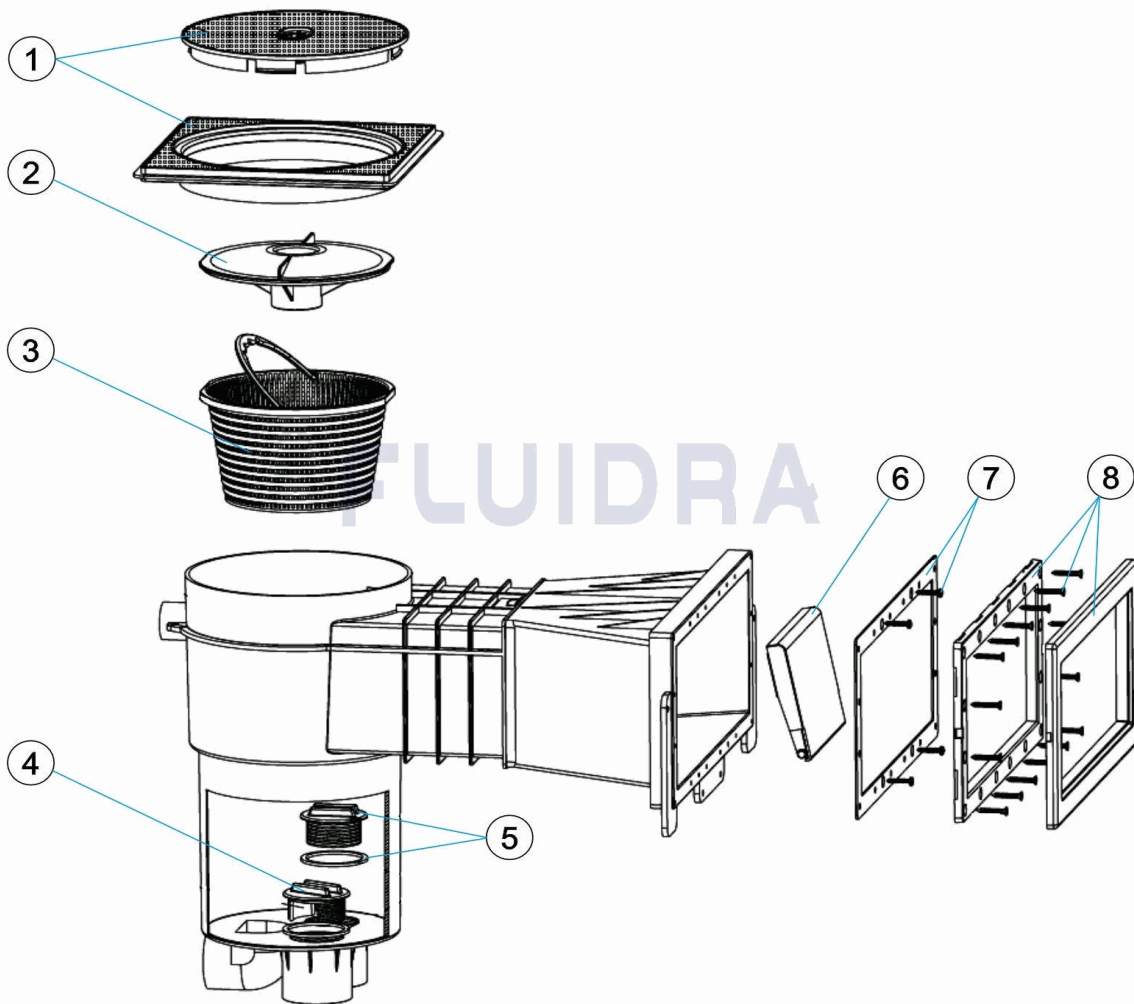
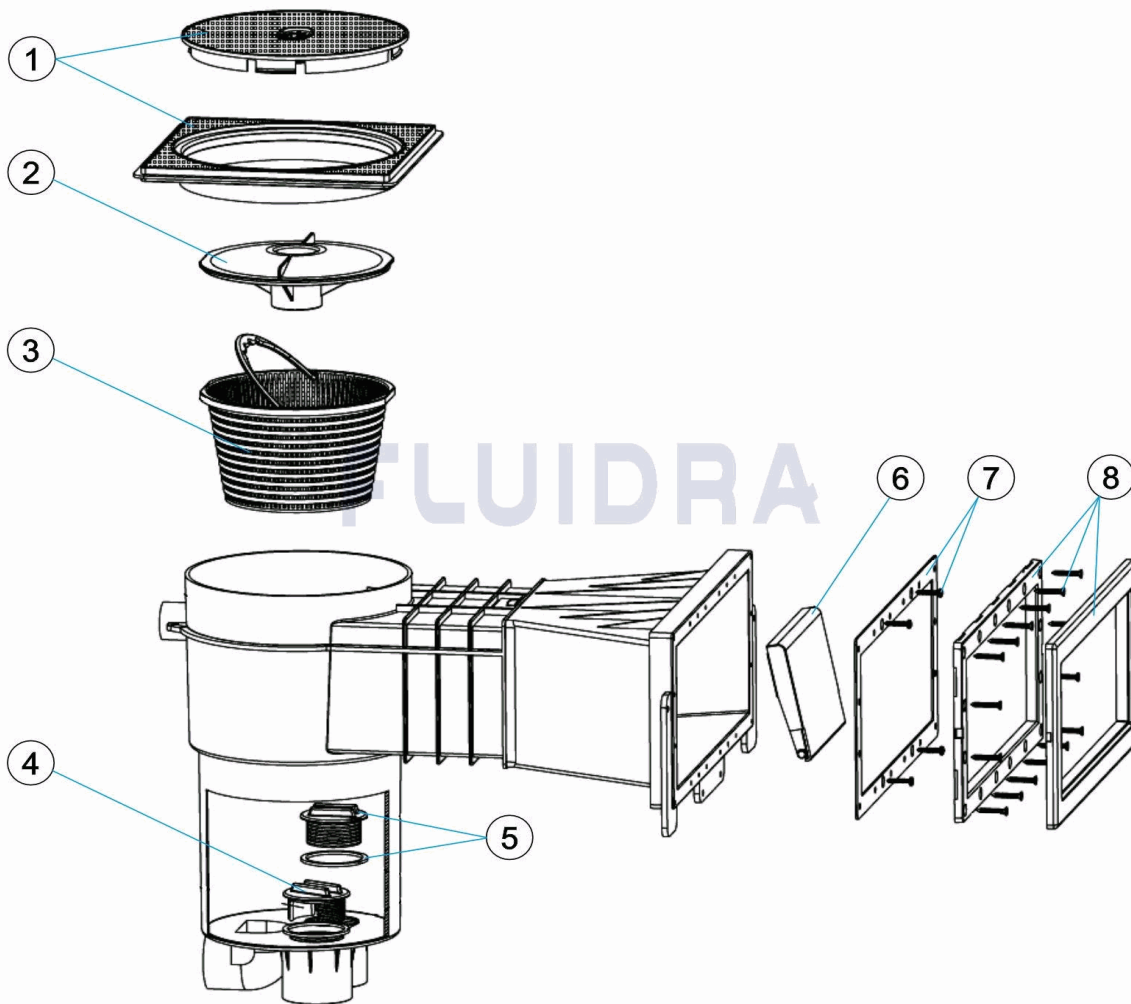


CODIGO **E-012-L**

 DESCRIPCION: **SUPER SKIMMER PISCINA LINER**

**ESPAÑOL**

POS	CODIGO	DESCRIPCION	CANTIDAD	POS	CODIGO	DESCRIPCION	CANTIDAD
1	SP-02-0169	MARCO CON TAPA SKIMMER	5	5	SP-02-0021	TAPON CON JUNTA	
2	SP-02-0018	TAPA CESTO SKIMMER		6	SP-02-0102	COMPUERTA SKIMMER	
3	SP-02-0019	CESTO SKIMMER 17,5 LTS.		7	SP-02-0101	JUNTA ADHESIVA BOCA GRANDE SKIMMER	
4	SP-02-0020	TAPON REGULADOR		8	SP-02-0103	MARCO BOCA SKIMMER PISC. PREF.	

CODE **E-012-L**

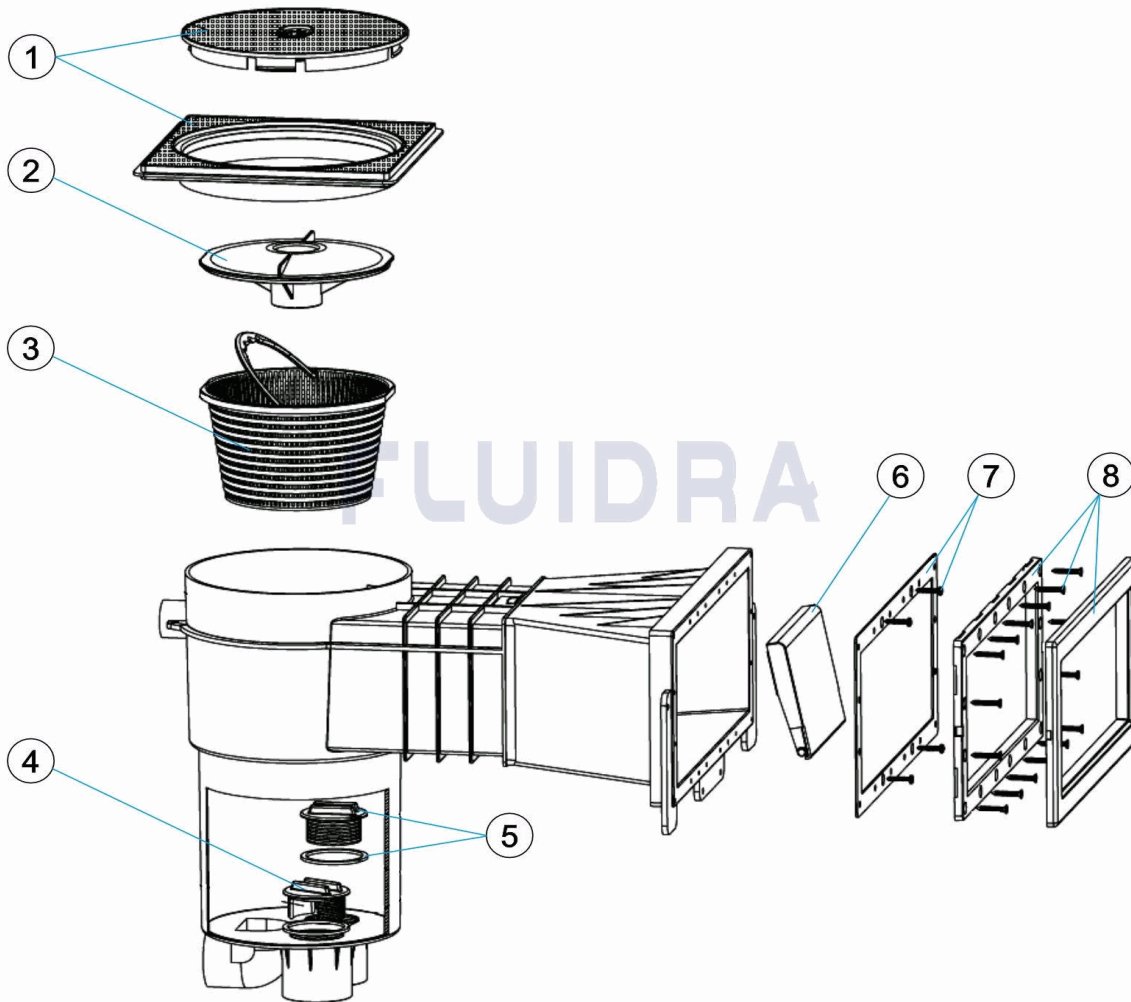
 DESCRIPTION: **SUPER SKIMMER PISCINE LINER**


### FRANCAIS

POS	CODE	DESCRIPTION	QUANTITE	POS	CODE	DESCRIPTION	QUANTITE
1	SP-02-0169	COUVERCLE ET CADRE DE SKIMMER	5	5	SP-02-0021	BOUCHON SKIMMER AVEC JOINT	
2	SP-02-0018	COUVERCLE PANIER SKIMMER	6	6	SP-02-0102	COLET DE SKIMMER	
3	SP-02-0019	PANIER SKIMMER 17,5 LTS	7	7	SP-02-0101	JOINT ADHESIF SKIMMER	
4	SP-02-0020	BOUCHON REGULATEUR	8	8	SP-02-0103	BRIDE ET CACHE VIS KIT LINER	

CODE **E-012-L**

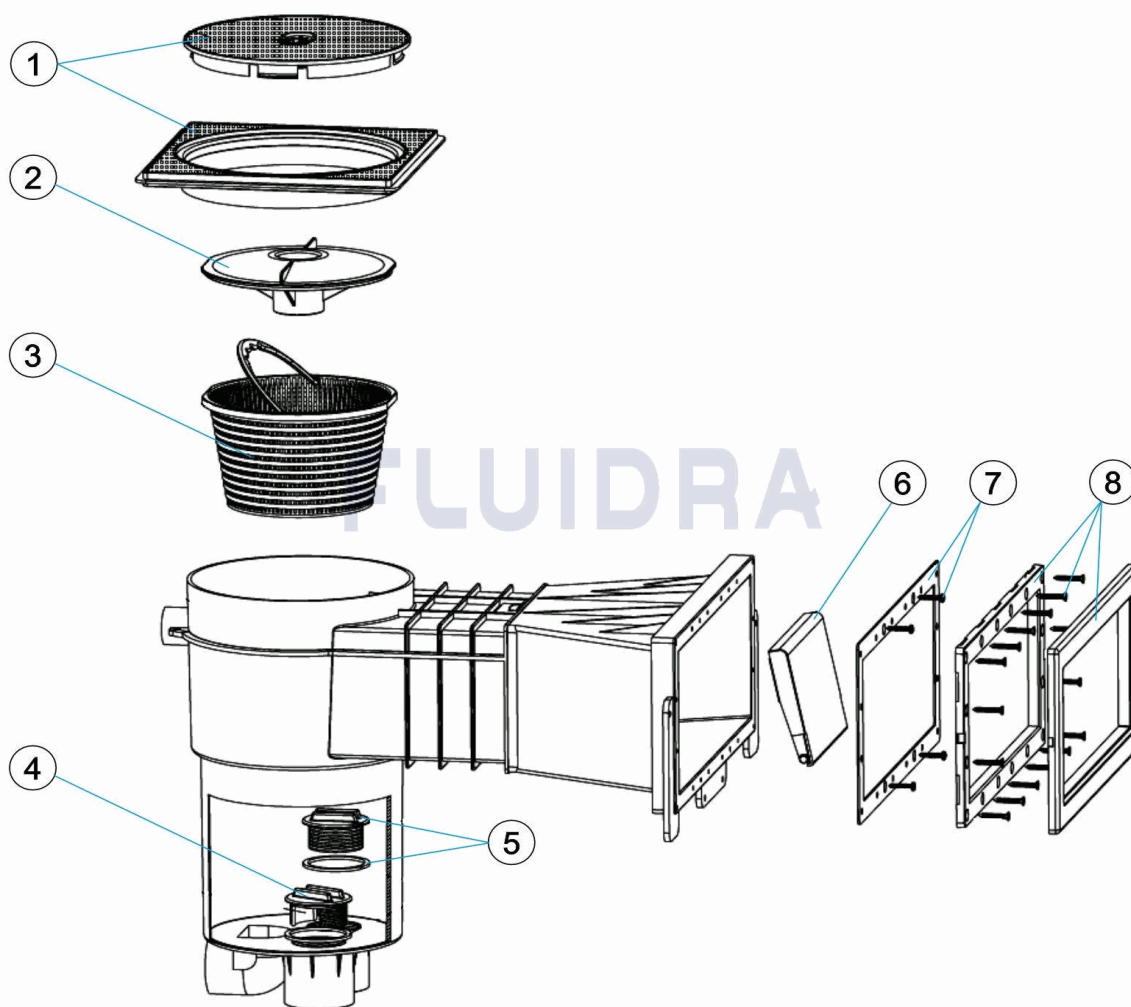
DESCRIPTION: **SUPER SKIMMER POOL LINER**



**ENGLISH**

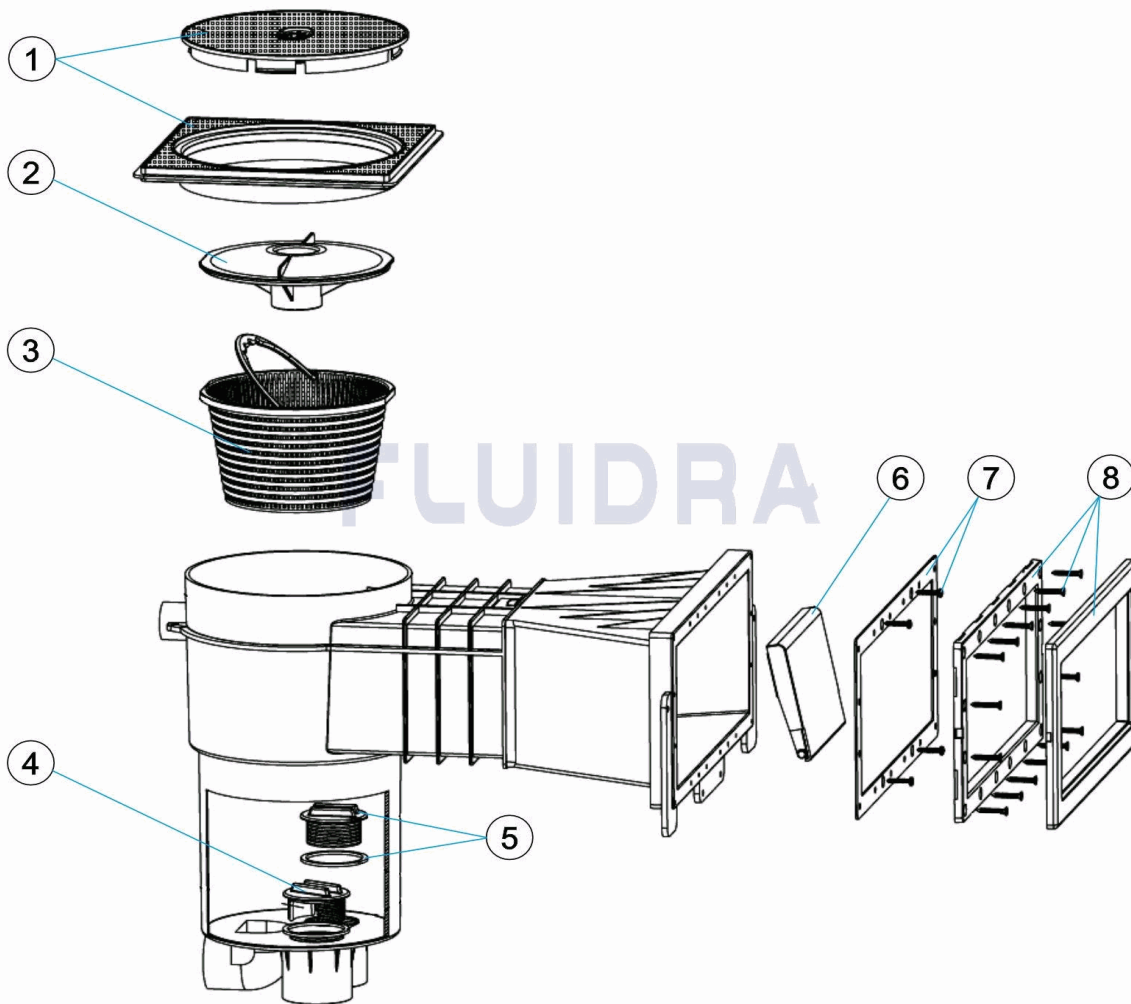
POS	CODE	DESCRIPTION	QUANTITY	POS	CODE	DESCRIPTION	QUANTITY
1	SP-02-0169	LID AND FRAME	5	5	SP-02-0021	BLANKING PLUG AND 'O' RING	
2	SP-02-0018	VACUUM PLATE	6	6	SP-02-0102	SKIMMER FLAP	
3	SP-02-0019	BASKET 17,5 LITRES	7	7	SP-02-0101	BIG ADHESIVE GASKET SKIMMER	
4	SP-02-0020	REGULATING PLUG	8	8	SP-02-0103	SKIMMER FRAME FOR LINER	

CODICE **E-012-L**

 DESCRIZIONE: **SUPER SKIMMER PISCINA LINER**

**ITALIANO**

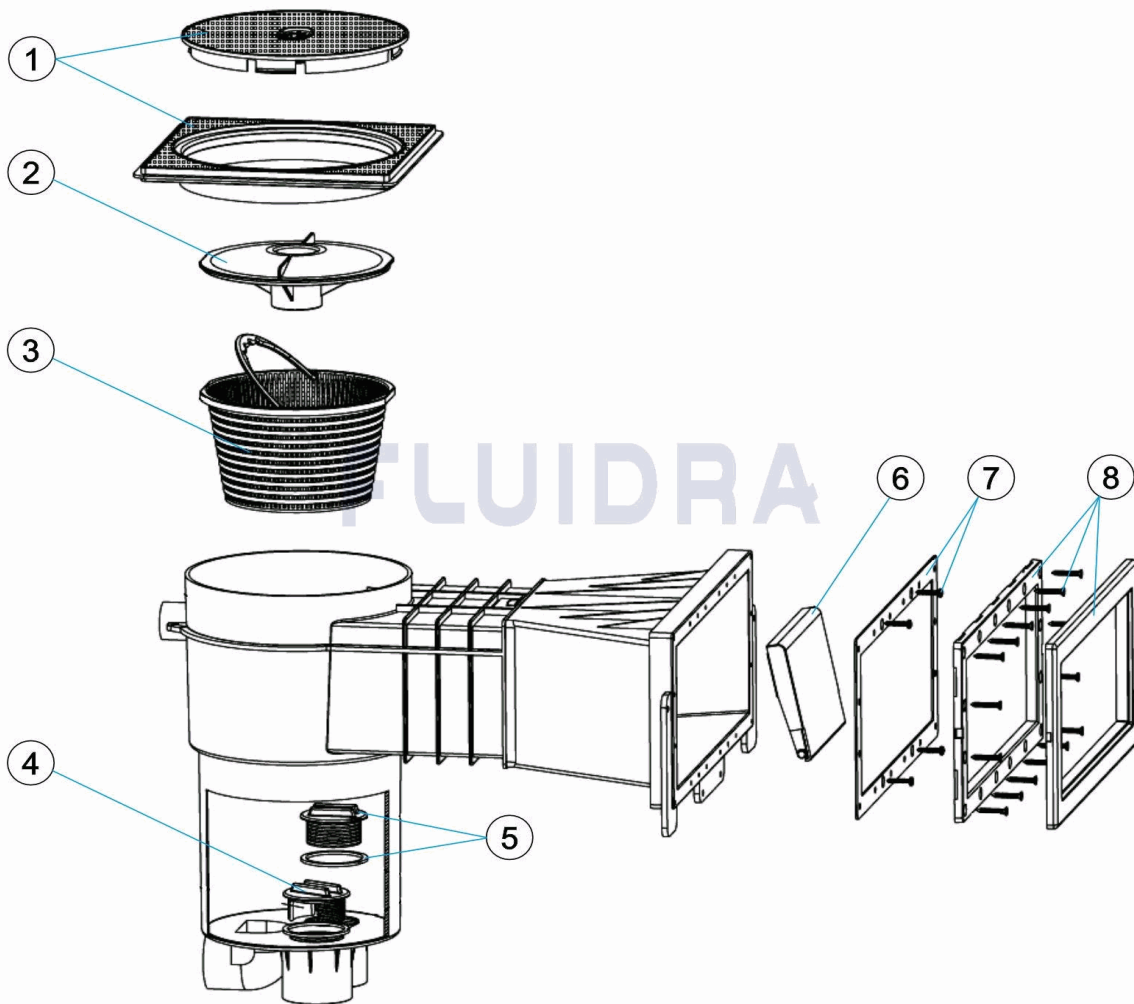
POS	CODICE	DESCRIZIONE	QUANTITA'	POS	CODICE	DESCRIZIONE	QUANTITA'
1	SP-02-0169	CORNICE CON COPERCHIO SKIMMER	5	5	SP-02-0021	TAPPO CON GUARNIZIONE	
2	SP-02-0018	COPERCHIO CESTELLO SKIMMER	6	6	SP-02-0102	BATTENTE SKIMMER	
3	SP-02-0019	CESTELLO SKIMMER DA 17,5 LITRI	7	7	SP-02-0101	GUARNIZIONE ADESIVA SKIMMER	
4	SP-02-0020	TAPPO DI REGOLAZIONE	8	8	SP-02-0103	FLANGIA BOCCA SKIMMER PER PISCINA IN	

CODE **E-012-L**

 BESCHREIBUNG: **SUPER SKIMMER FOLIENBECKEN**

**DEUTSCH**

POS	CODE	BESCHREIBUNG	MENGE	POS	CODE	BESCHREIBUNG	MENGE
1	SP-02-0169	RAHMEN MIT SKIMMERDECKEL	5	5	SP-02-0021	STOPFEN UND DICHUNG	
2	SP-02-0018	ABDECKUNG SKIMMKORB	6	6	SP-02-0102	SKIMMERKLAPPE	
3	SP-02-0019	SKIMMERKORB 17,5 L	7	7	SP-02-0101	DICHUNG SELBSTKLEBEND EINLASS GR	
4	SP-02-0020	STOPFEN REGULIERUNG	8	8	SP-02-0103	RAHMEN SKIMMEREINLASS FERTIGBECKE	

CODIGO **E-012-L**

 DESCRIÇÃO: **SUPER SKIMMER PISCINA LINER**

**PORTUGUES**

POS	CODIGO	DESCRIÇÃO	JANTIDADE	POS	CODIGO	DESCRIÇÃO	JANTIDADE
1	SP-02-0169	ARO COM TAMPA SKIMMER	5	5	SP-02-0021	TAMPA COM JUNTA	
2	SP-02-0018	TAMPA CESTO SKIMMER	6	6	SP-02-0102	BATTENTE SKIMMER	
3	SP-02-0019	CESTO SKIMMER 17,5 LTS	7	7	SP-02-0101	JUNTA ADESIVA SKIMMER	
4	SP-02-0020	TAMPA REGULADORA	8	8	SP-02-0103	CAIXILHO BOCA SKIMMER	