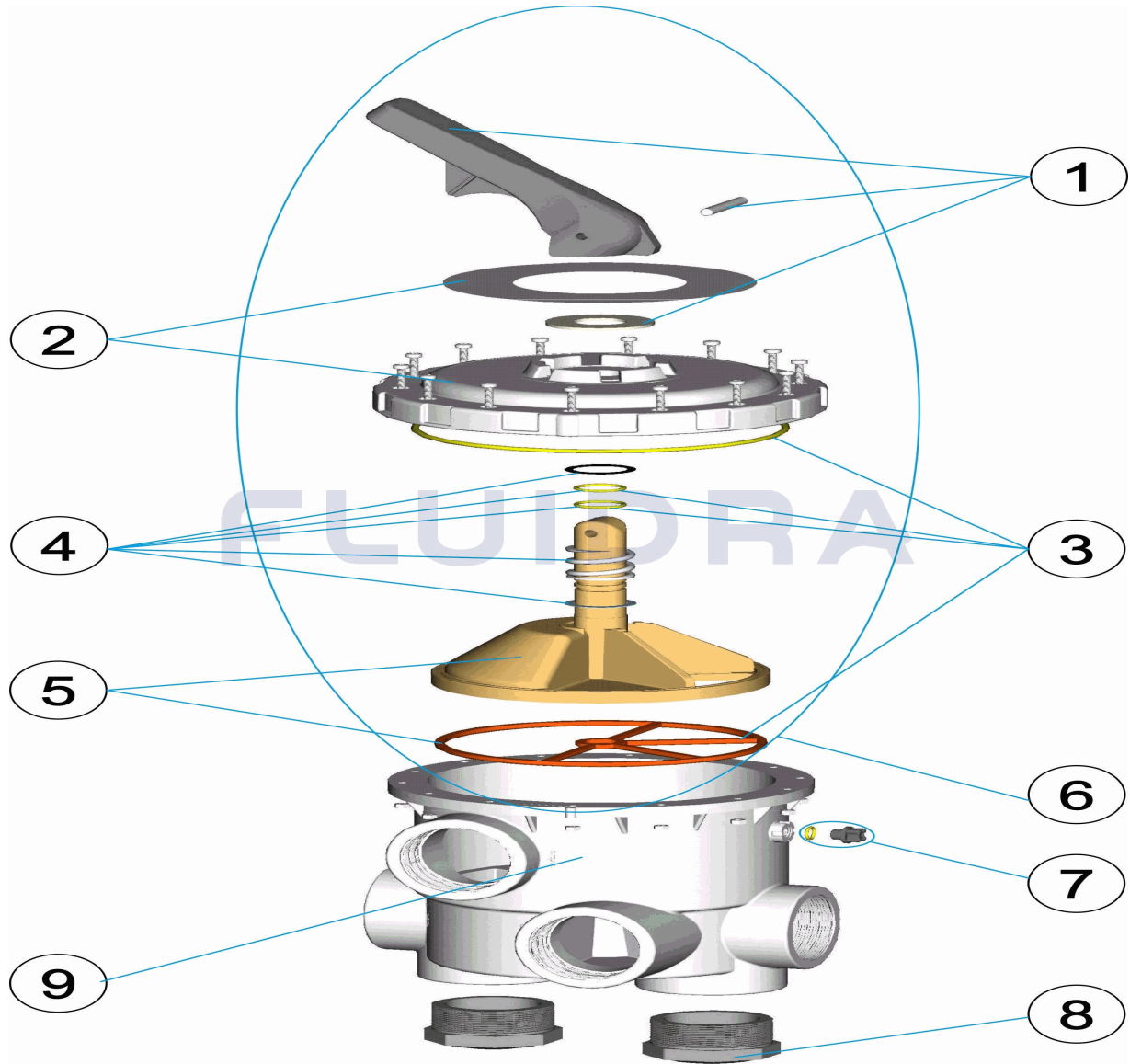


CODIGO **PS-6300**

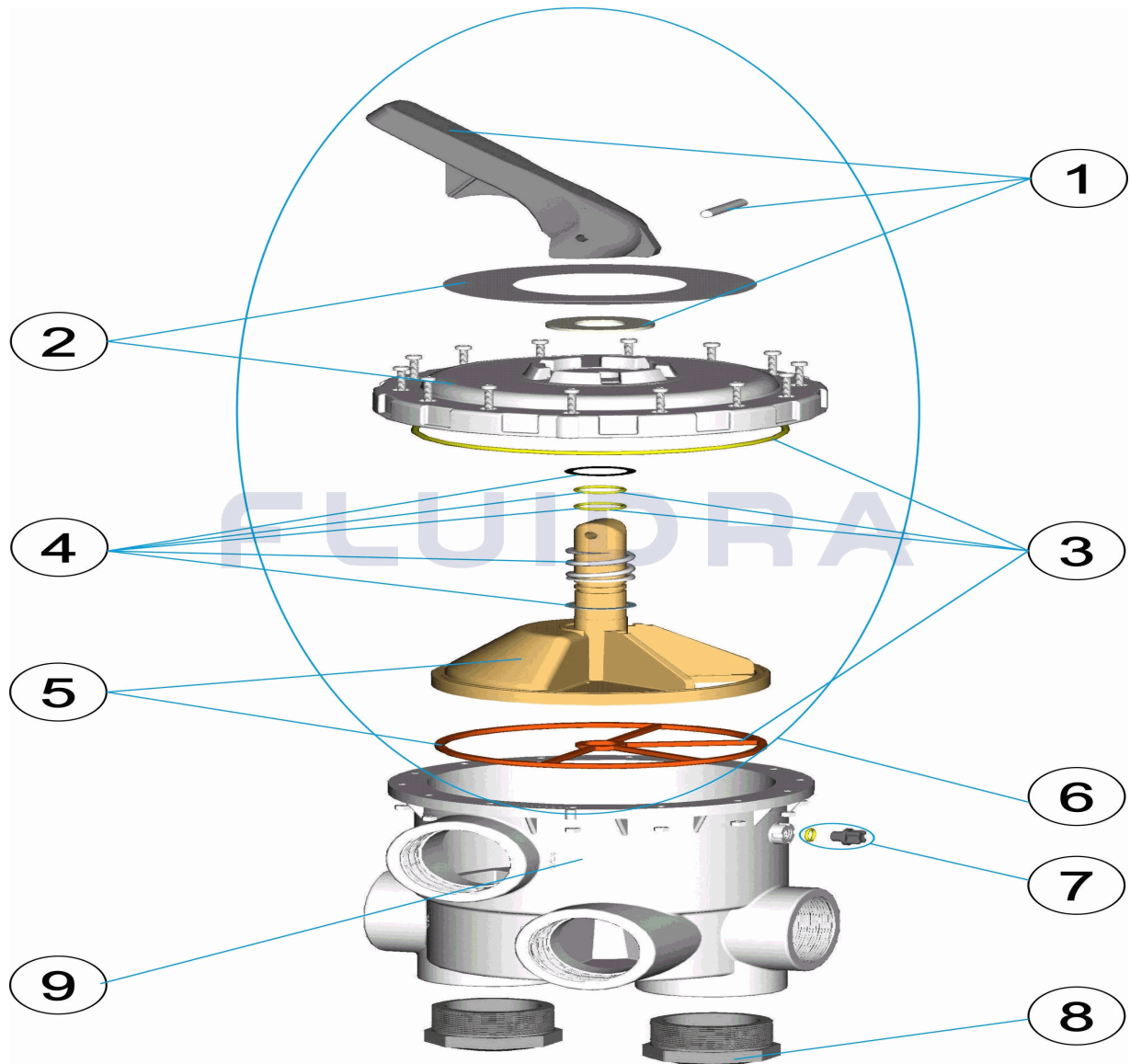
DESCRIPCION: **VALVULA SELECTORA 3"**



**ESPAÑOL**

| POS | CODIGO     | DESCRIPCION                | CANTIDAD | POS | CODIGO     | DESCRIPCION                 | CANTIDAD |
|-----|------------|----------------------------|----------|-----|------------|-----------------------------|----------|
| 1   | SP-04-0098 | MANETA NEGRA 3"            |          | 6   | SP-04-0103 | CJTO. SUPERIOR 3"           |          |
| 2   | SP-04-0099 | TAPA VALVULA 3"            |          | 7   | SP-04-0008 | TAPON 1/4 VALVULA           |          |
| 3   | SP-04-0100 | JUNTAS VALVULA 3"          |          | 8   | SP-04-0104 | TAPON VALVULA SELECTORA 3"  |          |
| 4   | SP-04-0101 | RESORTE VALVULA 3"         |          | 9   | SP-04-0227 | CUERPO VALVULA SELECTORA 3" |          |
| 5   | SP-04-0102 | DISTRIBUIDOR CON JUNTAS 3" |          |     |            |                             |          |

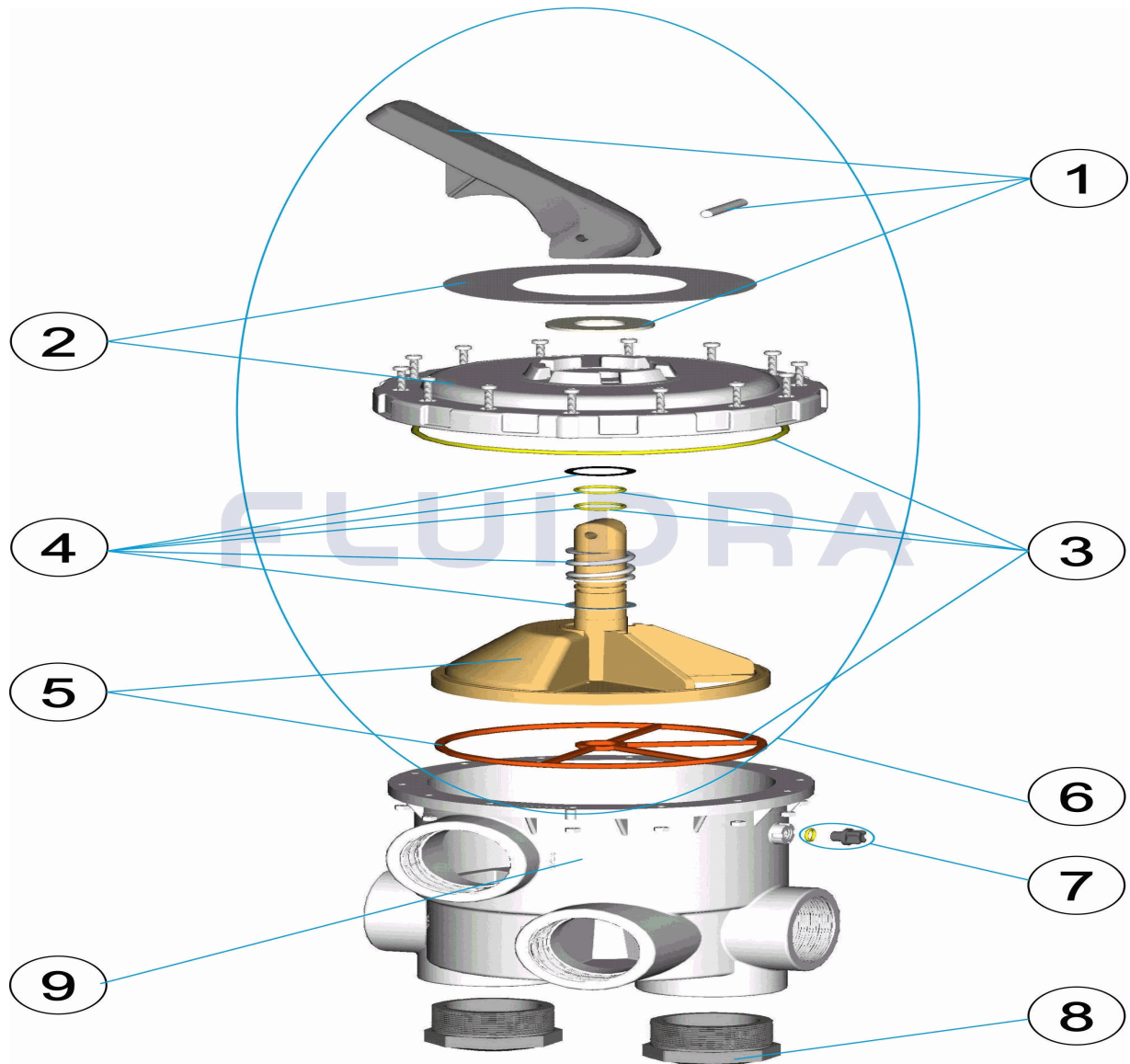
CODE **PS-6300**  
 DESCRIPTION: **SÉLECTEUR 3"**



**FRANCAIS**

| POS | CODE       | DESCRIPTION             | QUANTITE | POS | CODE       | DESCRIPTION                    | QUANTITE |
|-----|------------|-------------------------|----------|-----|------------|--------------------------------|----------|
| 1   | SP-04-0098 | POIGNEE NOIRE 3"        |          | 6   | SP-04-0103 | ENSEMBLE SUPÉRIEUR 3"          |          |
| 2   | SP-04-0099 | DESSUS DE VANNE 3"      |          | 7   | SP-04-0008 | BOUCHON 1/4" DE VANNE          |          |
| 3   | SP-04-0100 | JOINTS DE VANNE 3"      |          | 8   | SP-04-0104 | BOUCHON VALVE SELECTORA 3"     |          |
| 4   | SP-04-0101 | RESSORT DE VANNE 3"     |          | 9   | SP-04-0227 | CORPS DE VANNE DE SELECTION 3" |          |
| 5   | SP-04-0102 | BOISSEAU AVEC JOINTS 3' |          |     |            |                                |          |

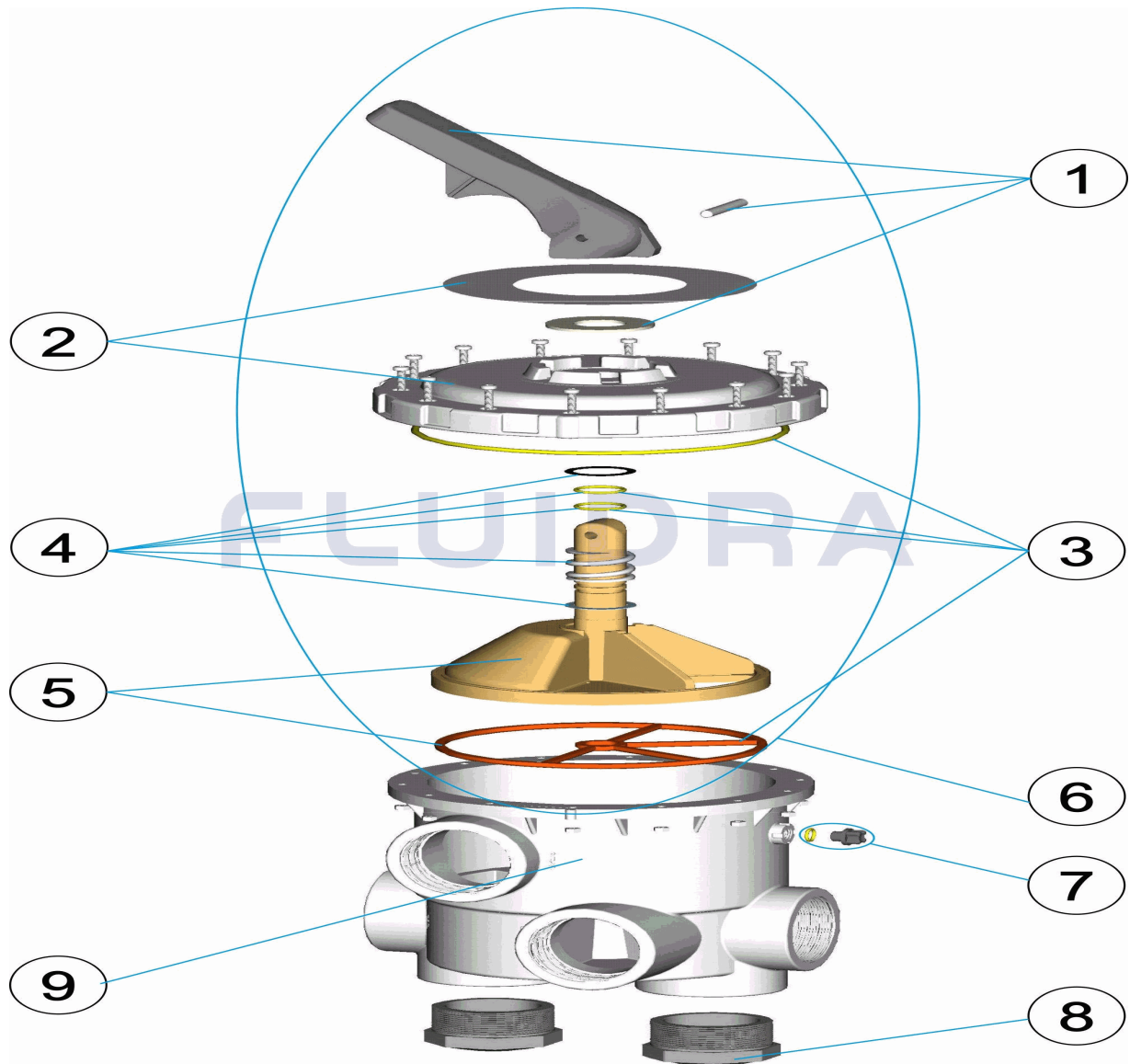
CODE **PS-6300**  
DESCRIPTION: **MULTIPORT VALVE 3"**



**ENGLISH**

| POS | CODE       | DESCRIPTION                 | QUANTITY | POS | CODE       | DESCRIPTION            | QUANTITY |
|-----|------------|-----------------------------|----------|-----|------------|------------------------|----------|
| 1   | SP-04-0098 | BLACK HANDLE 3"             |          | 6   | SP-04-0103 | SUPERIOR SET 3"        |          |
| 2   | SP-04-0099 | VALVE TOP 3"                |          | 7   | SP-04-0008 | PLUG 1/4"              |          |
| 3   | SP-04-0100 | GASKETS 3"                  |          | 8   | SP-04-0104 | PLUG SELECTOR VALVE 3" |          |
| 4   | SP-04-0101 | SPRING 3"                   |          | 9   | SP-04-0227 | VALVE BODY 3"          |          |
| 5   | SP-04-0102 | DISTRIBUTOR WITH GASKETS 3" |          |     |            |                        |          |

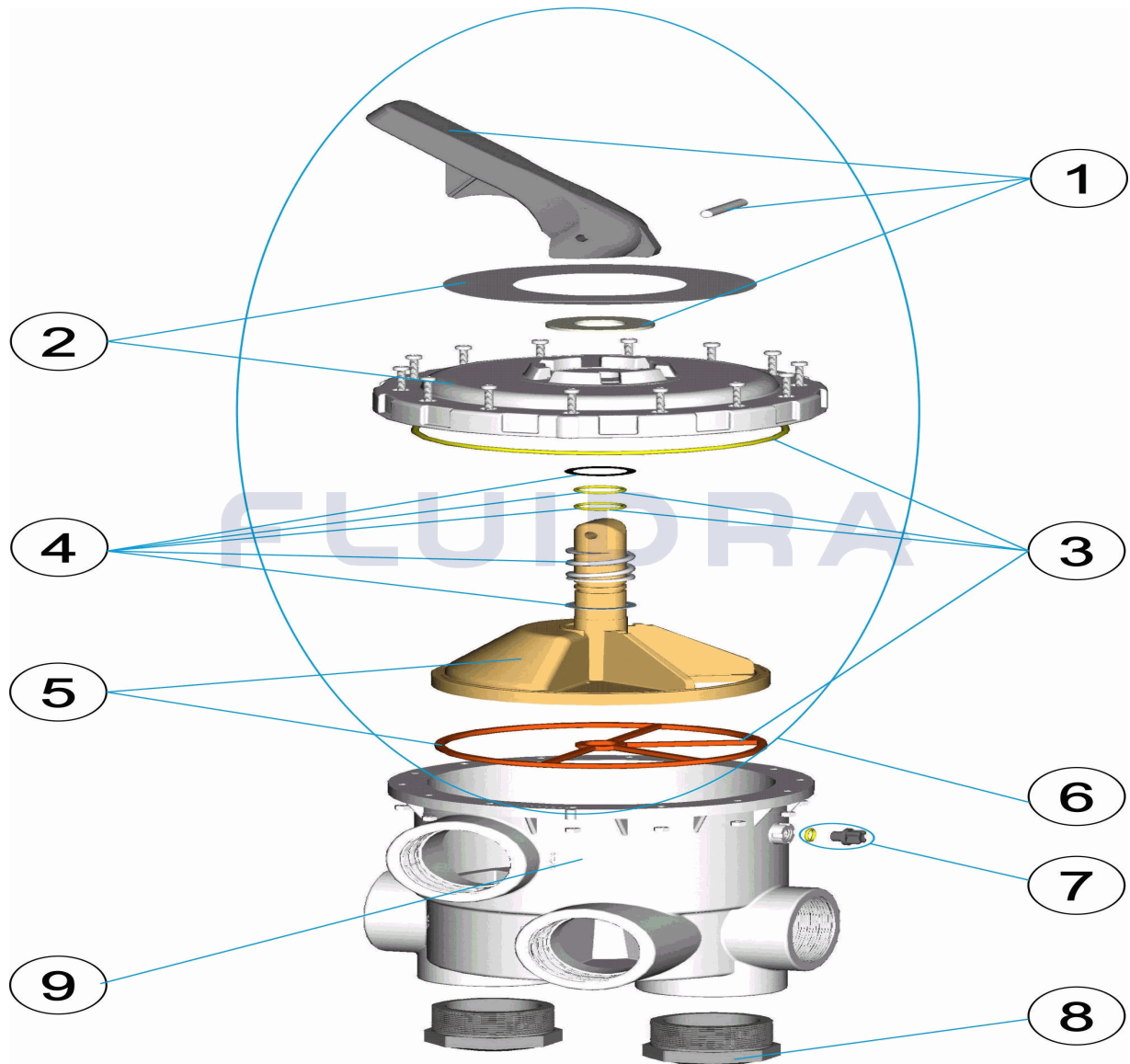
CODICE **PS-6300**

 DESCRIZIONE: **VALVOLA SELETRICE 3"**

**ITALIANO**

| POS | CODICE     | DESCRIZIONE                          | QUANTITA' | POS | CODICE     | DESCRIZIONE                | QUANTITA' |
|-----|------------|--------------------------------------|-----------|-----|------------|----------------------------|-----------|
| 1   | SP-04-0098 | MANIGLIA NERA 3"                     |           | 6   | SP-04-0103 | KIT SUPERIORE 3"           |           |
| 2   | SP-04-0099 | COPERCHIO VALVOLA 3"                 |           | 7   | SP-04-0008 | COPERCHIO 1/4' VALVOLA     |           |
| 3   | SP-04-0100 | CONJUNTO SUPERIOR 3" PRET "          |           | 8   | SP-04-0104 | TAPPO VALVOLA SELETRICE 3" |           |
| 4   | SP-04-0101 | MOLLA VALVOLA 3"                     |           | 9   | SP-04-0227 | CORPO VALVOLA SELETRICE 3" |           |
| 5   | SP-04-0102 | DISTRIBUTORE CON GUARNIZIONI 3' VECI |           |     |            |                            |           |

CODE

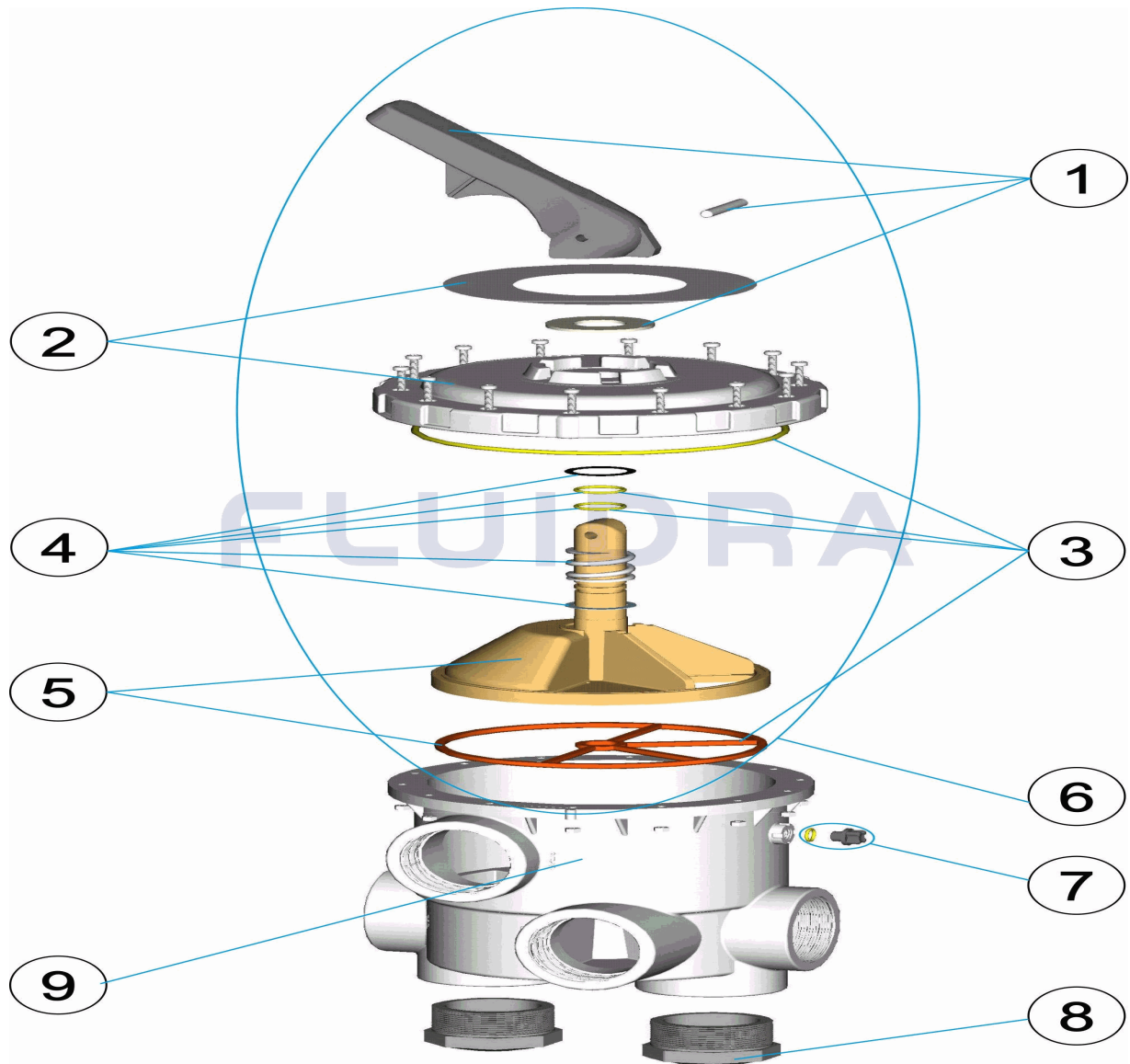
**PS-6300**

 BESCHREIBUNG: **MEHRWEGVENTIL 3"**

**DEUTSCH**

| POS | CODE       | BESCHREIBUNG                | MENGE | POS | CODE       | BESCHREIBUNG             | MENGE |
|-----|------------|-----------------------------|-------|-----|------------|--------------------------|-------|
| 1   | SP-04-0098 | GRIFF SCHWARZ 3"            |       | 6   | SP-04-0103 | SET OBEN 3"              |       |
| 2   | SP-04-0099 | VENTILDECKEL 3"             |       | 7   | SP-04-0008 | STOPFEN 1/4' VENTIL      |       |
| 3   | SP-04-0100 | VENTILDICHTUNGEN 3"         |       | 8   | SP-04-0104 | STOPFEN MEHRWEGVENTIL 3" |       |
| 4   | SP-04-0101 | VENTILNFEDER 3"             |       | 9   | SP-04-0227 | GEHÄUSE MEHRWEGVENTIL 3" |       |
| 5   | SP-04-0102 | VERTEILER UND DICHTUNGEN 3" |       |     |            |                          |       |

CODIGO **PS-6300**

DESCRIÇÃO: **VÁLVULA SELECTORA 3"**



**PORTUGUES**

| POS | CODIGO     | DESCRIÇÃO                  | JANTIDADE | POS | CODIGO     | DESCRIÇÃO                   | JANTIDADE |
|-----|------------|----------------------------|-----------|-----|------------|-----------------------------|-----------|
| 1   | SP-04-0098 | MANIPULO PRETO 3"          |           | 6   | SP-04-0103 | CONJUNTO SUPERIOR 3"        |           |
| 2   | SP-04-0099 | TAMPA VALVULA 3"           |           | 7   | SP-04-0008 | TAMPÃO 1/4" VÁLVULA         |           |
| 3   | SP-04-0100 | JUNTAS VÁLVULA 3"          |           | 8   | SP-04-0104 | TAMPÃO VALVOLA SELECTORA 3" |           |
| 4   | SP-04-0101 | TAMPA PARAFUSOS 3"         |           | 9   | SP-04-0227 | CORPO VALVULA SELECTORA 3"  |           |
| 5   | SP-04-0102 | DISTRIBUIDOR COM JUNTAS 3" |           |     |            |                             |           |