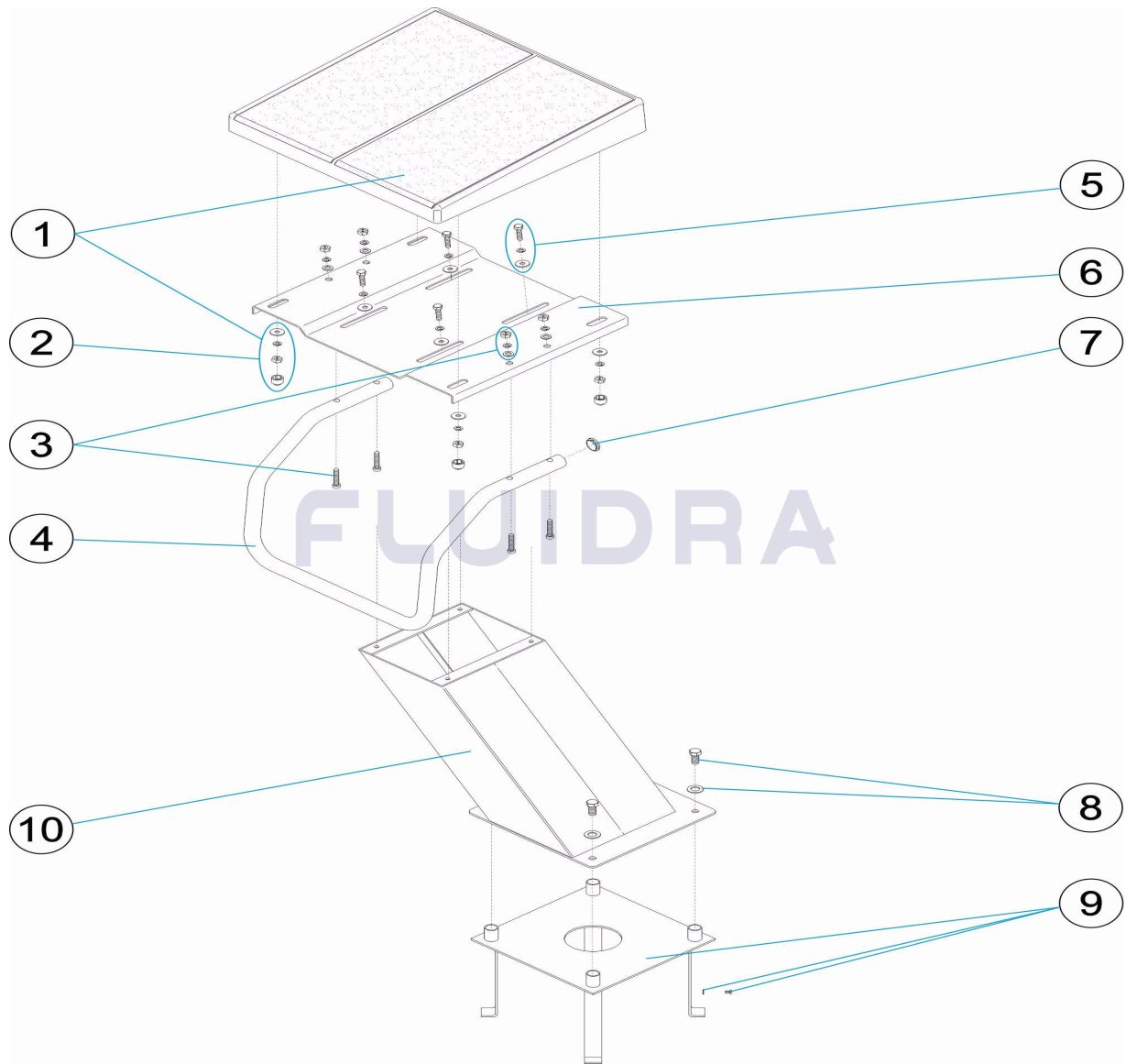


CODIGO **PD010145**

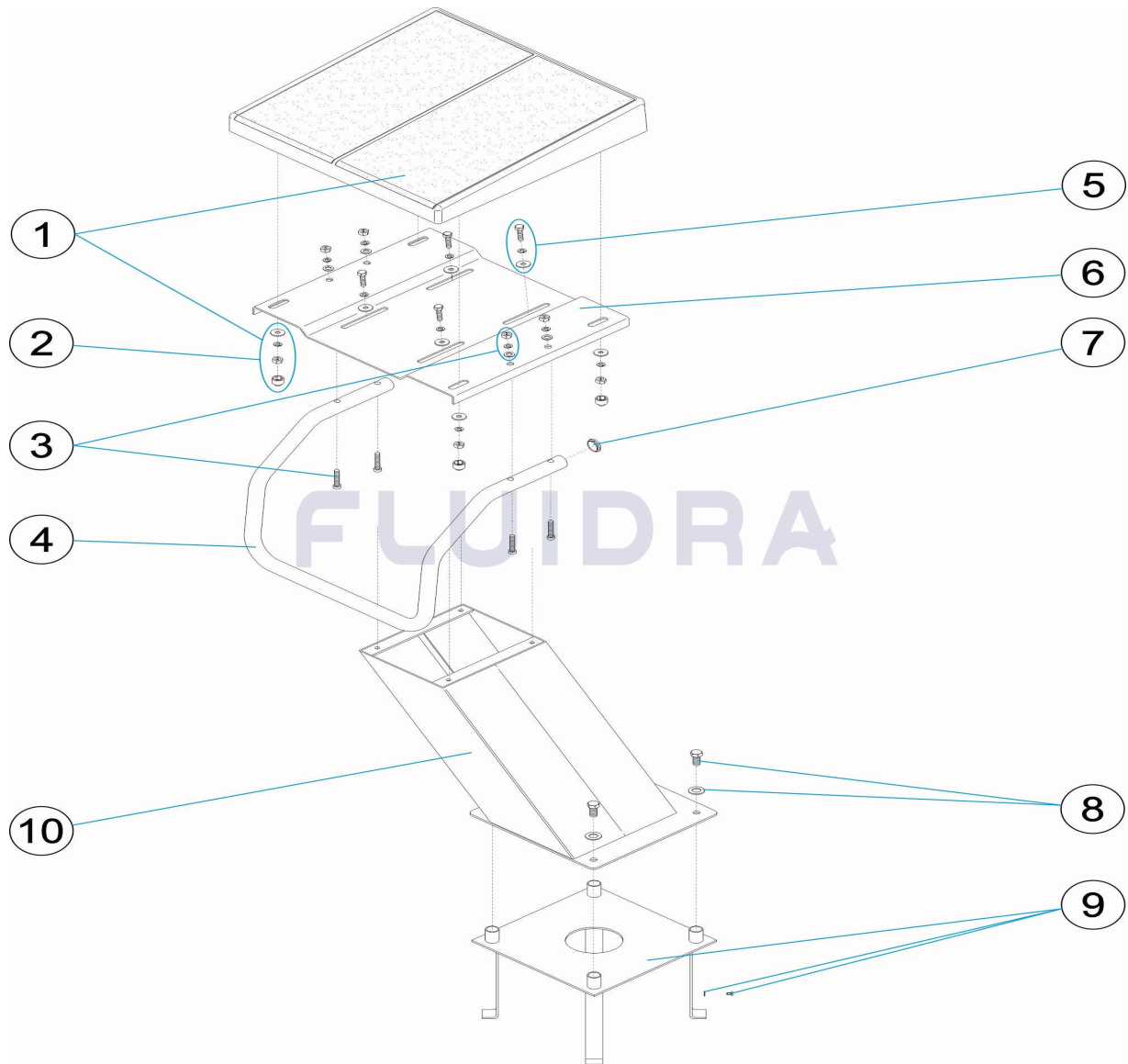
DESCRIPCION: **PODIUM SALIDA NADADORES ALTURA 400 M/M.**



ESPAÑOL

POS	CODIGO	DESCRIPCION	CANTIDAD	POS	CODIGO	DESCRIPCION	CANTIDAD
1	SP-01-0025	PLATAFORMA PODIUM		6	SP-01-0030	BANDEJA AJUSTABLE	
2	SP-01-0026	TORNILLERIA PLATAFORMA 316		7	SP-01-0031	TAPON AGARRADERAS	
3	SP-01-0027	TORNILLERIA AGARRADERA		8	SP-01-0037	TORNILLERIA ANCLAJE PODIUM	
4	SP-01-0028	AGARRADERA PODIUM AISI-316		9	SP-01-0038	ANCLAJE PODIUM	
5	SP-01-0029	TORNILLERIA BANDEJA AJUSTABLE		10	SP-01-0064	ESTRUCTURA PODIUM	

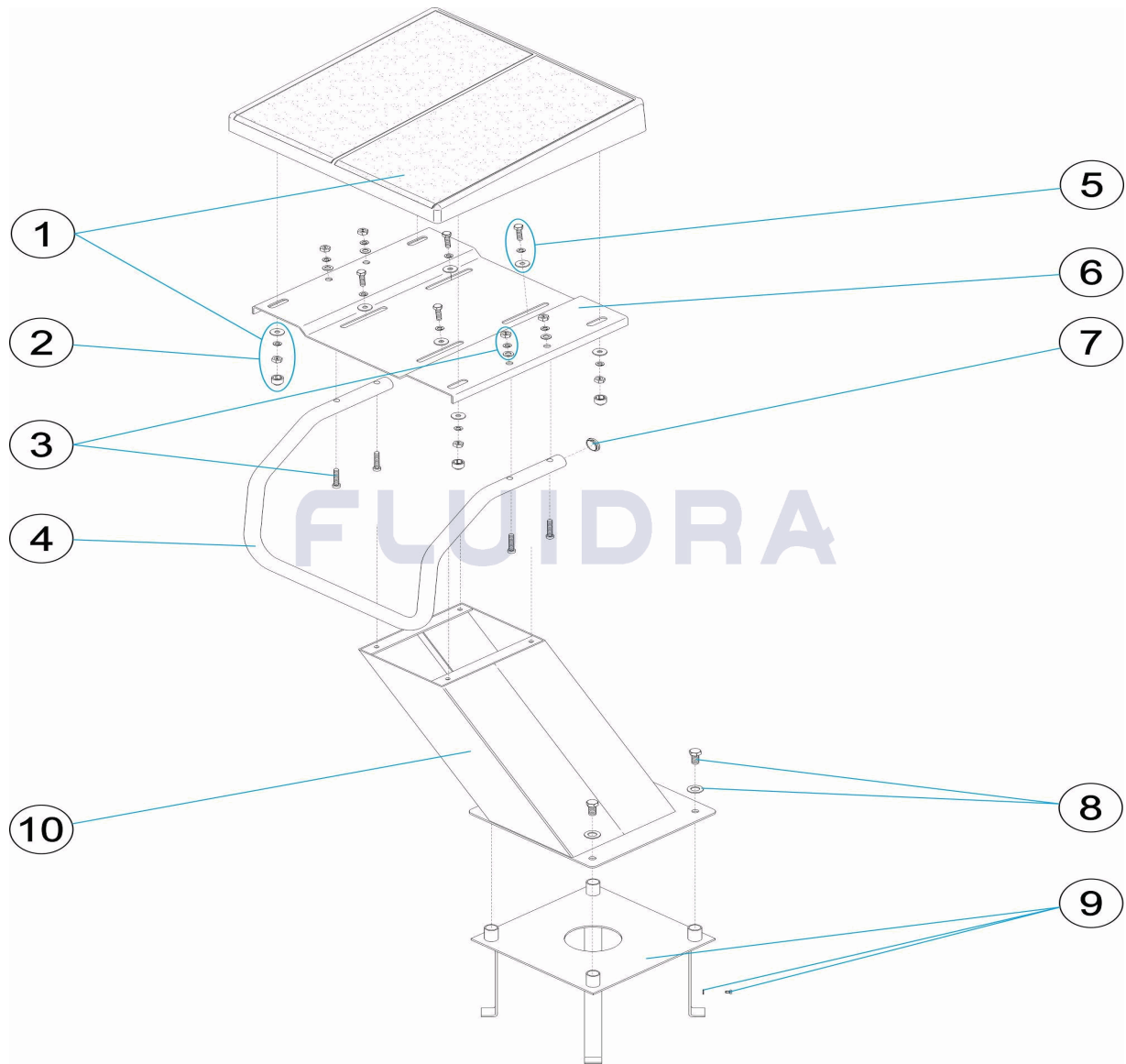
CODE **PD010145**

 DESCRIPTION: **PLOT DÉPART NAGEURS HAUTEUR 400 M/M**

FRANCAIS

POS	CODE	DESCRIPTION	QUANTITE	POS	CODE	DESCRIPTION	QUANTITE
1	SP-01-0025	PLATE-FORME		6	SP-01-0030	PLATEAU AJUSTABLE	
2	SP-01-0026	VISSERIE PLATE-FORME 316		7	SP-01-0031	BOUCHON POUR MAIN COURANTE	
3	SP-01-0027	VIS MAIN COURANTE		8	SP-01-0037	VISSERIE ANCRAGE PLOT DE DEPART	
4	SP-01-0028	RAMPE PLOT DE DÉPART AISI-316		9	SP-01-0038	ANCRAGE PLOT DE DEPART	
5	SP-01-0029	BOULONNERIE PLATEAU AJUSTABLE		10	SP-01-0064	SOCLE	

CODE PD010145

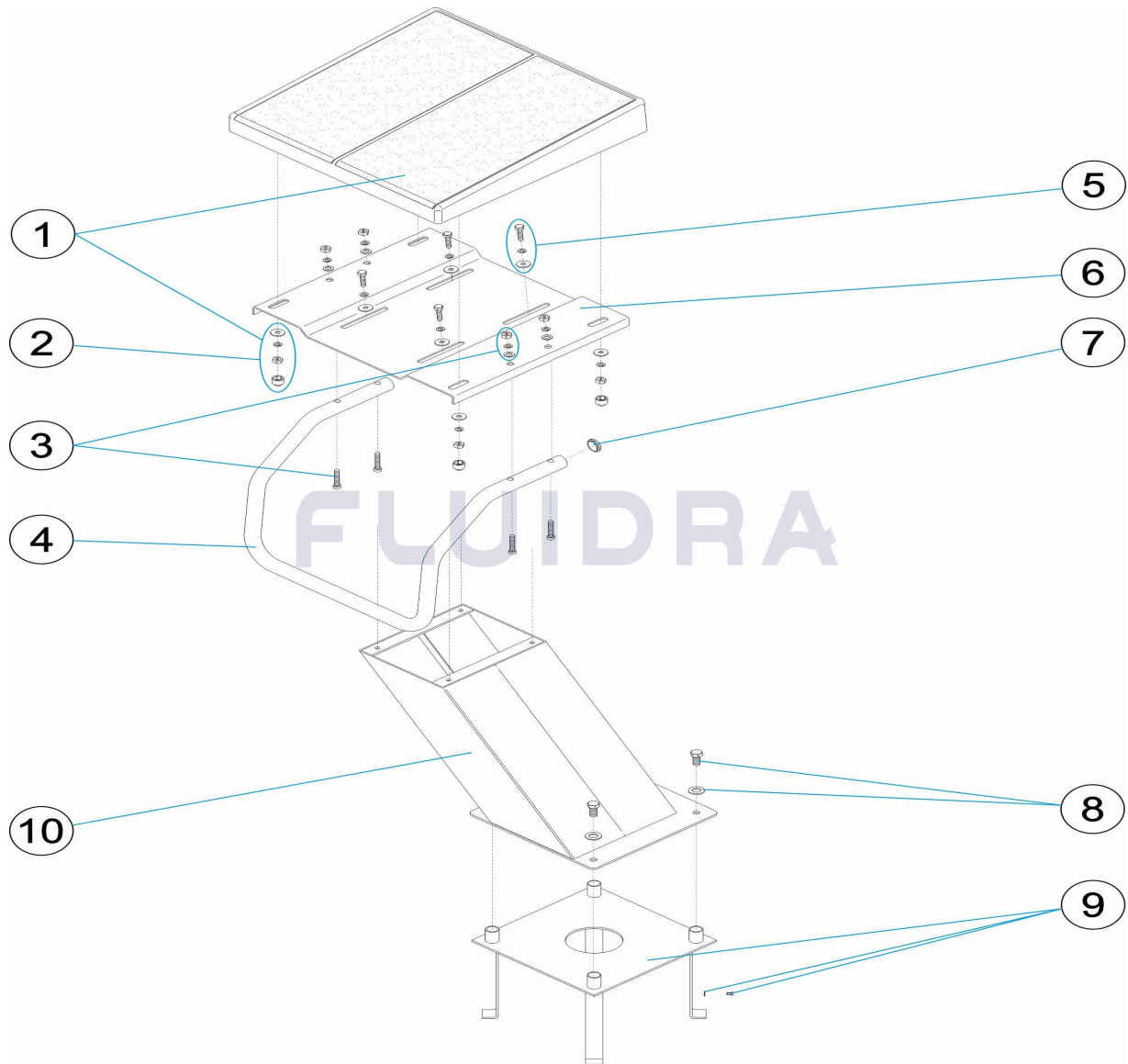
DESCRIPTION: COMPETITION STARTING BLOCKS HEIGHT 400 M/M



ENGLISH

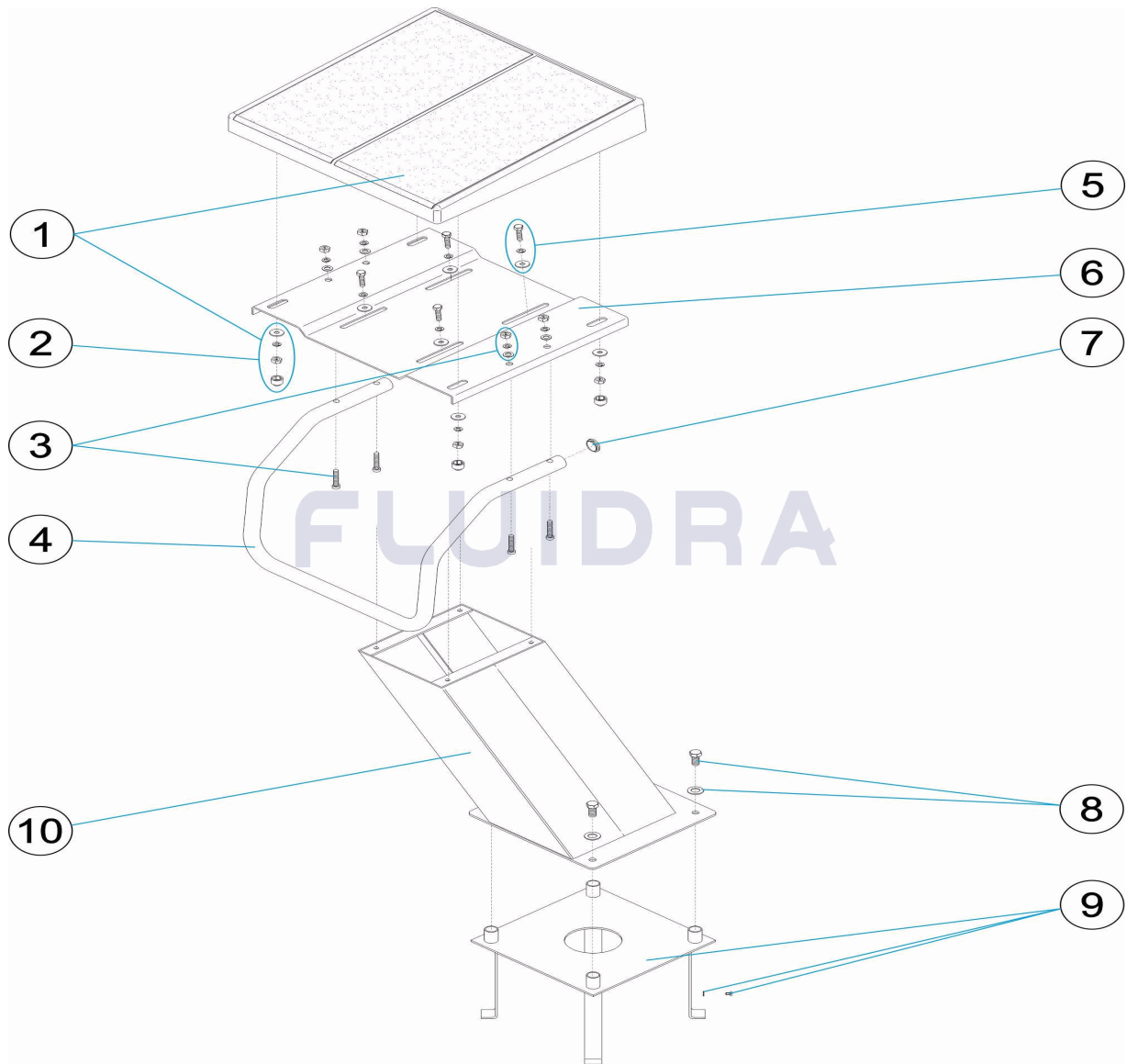
POS	CODE	DESCRIPTION	QUANTITY	POS	CODE	DESCRIPTION	QUANTITY
1	SP-01-0025	BLOCK PLATFORM		6	SP-01-0030	ADJUSTABLE TRAY	
2	SP-01-0026	PLATFORM SCREWS 316		7	SP-01-0031	GRABRAIL CAP	
3	SP-01-0027	SCREW KIT FOR GRABPULL		8	SP-01-0037	ANCHOR SCREWS	
4	SP-01-0028	GRABRAIL FOR PODIUM AISI-316		9	SP-01-0038	ANCHOR	
5	SP-01-0029	BOLD SET FOR ADJUSTABLE TRAY		10	SP-01-0064	PODIUM STRUCTURE	

CODICE **PD010145**

 DESCRIZIONE: **PODIO USCITA NUOTATORI ALTEZZA 400 M/M**

ITALIANO

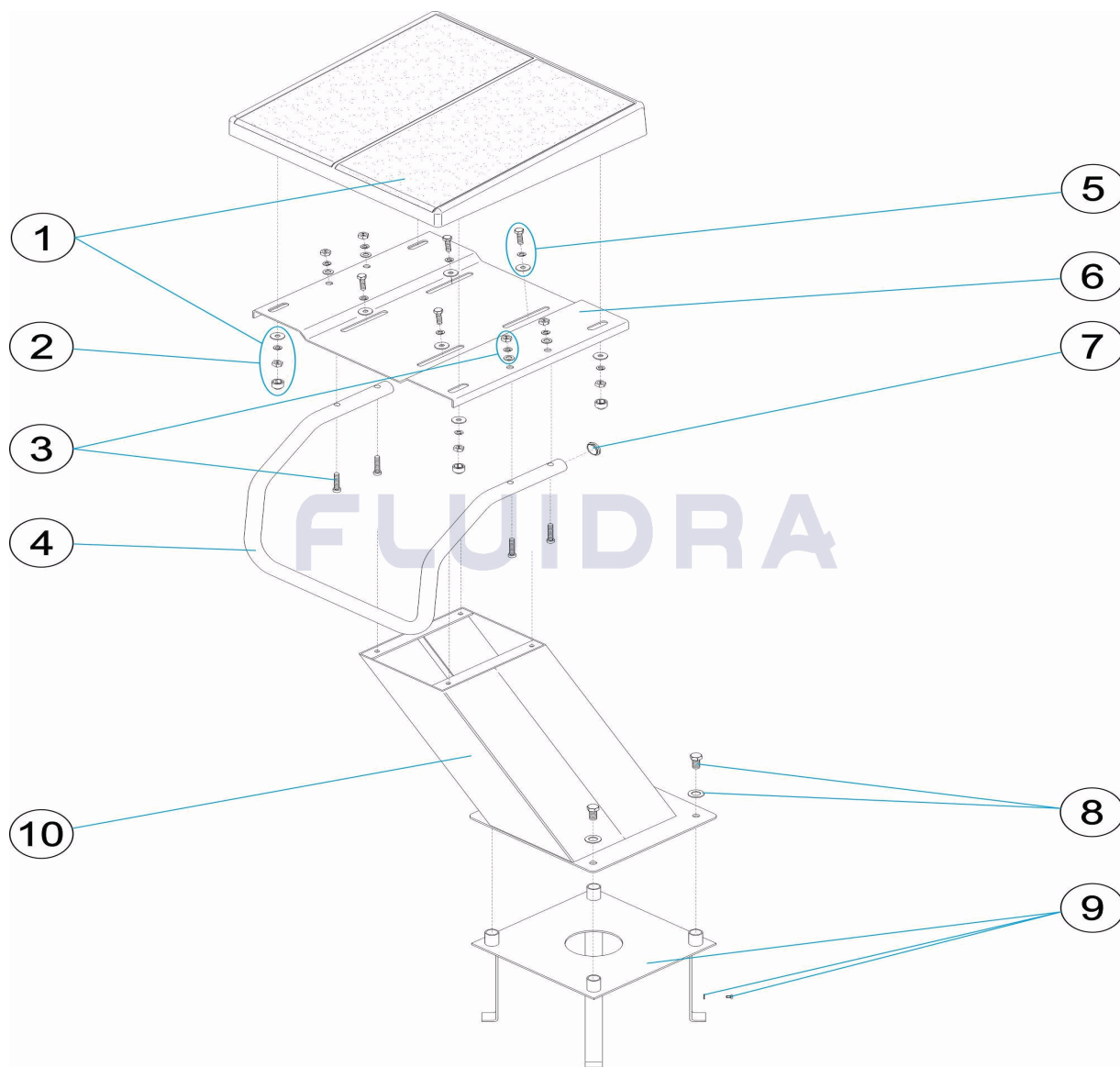
POS	CODICE	DESCRIZIONE	QUANTITA'	POS	CODICE	DESCRIZIONE	QUANTITA'
1	SP-01-0025	PIATTAFORMA		6	SP-01-0030	VASSOIO REGOLABILE	
2	SP-01-0026	KIT VITI PIATTAFORMA 316		7	SP-01-0031	TAPPO CORRIMANO	
3	SP-01-0027	KIT VITI CORRIMANO		8	SP-01-0037	KIT BULLONERIA PER PIATTAFORMA	
4	SP-01-0028	CORRIMANO BLOCCO PARTENZA AISI-316		9	SP-01-0038	ANCORAGGIO	
5	SP-01-0029	BULLONERIA VASSOIO REGOLABILE		10	SP-01-0064	STRUTTURA PODIO	

CODE **PD010145**

 BESCHREIBUNG: **STARTBOCK HÖHE 400 M/M**

DEUTSCH

POS	CODE	BESCHREIBUNG	MENGE	POS	CODE	BESCHREIBUNG	MENGE
1	SP-01-0025	PLATTFORM STARTBOCK		6	SP-01-0030	REGULIERBARE PLATTE	
2	SP-01-0026	SCHRAUBENSATZ PLATTFORM 316		7	SP-01-0031	STOPFEN HALTEGRIFFE	
3	SP-01-0027	SCHRAUBENSATZ HALTEGRIFF		8	SP-01-0037	SCHRAUBENSATZ VERANKERUNG STARTE	
4	SP-01-0028	HALTEGRIFF STARTBLOCK AISI - 316		9	SP-01-0038	VERANKERUNG STARTBOCK	
5	SP-01-0029	SCHRAUBENSATZ REGULIERBARE PLATT		10	SP-01-0064	STRUKTUR STARTBOCK	

CODIGO **PD010145**

 DESCRIÇÃO: **PÓDIO SAÍDA NADADORES ALTURA 400 M/M.**

PORTUGUES

POS	CODIGO	DESCRIÇÃO	JANTIDADE	POS	CODIGO	DESCRIÇÃO	JANTIDADE
1	SP-01-0025	PLATAFORMA PODIUM		6	SP-01-0030	BANDEJA AJUSTAVEL	
2	SP-01-0026	CONJ. PARAFUSOS PLATAFORMA 316		7	SP-01-0031	TAMPAO DA AGARRADEIRA	
3	SP-01-0027	CONJ. PARAFUSOS AGARRADEIRA		8	SP-01-0037	PARAFUSOS ÂNCORA PODIUM	
4	SP-01-0028	AGARRADEIRA PODIUM AISI-316		9	SP-01-0038	ÂNCORA PODIUM	
5	SP-01-0029	KIT DE PARAFUSOS BANDEJA AJUSTAVEL		10	SP-01-0064	ESTRUTURA PODIUM	