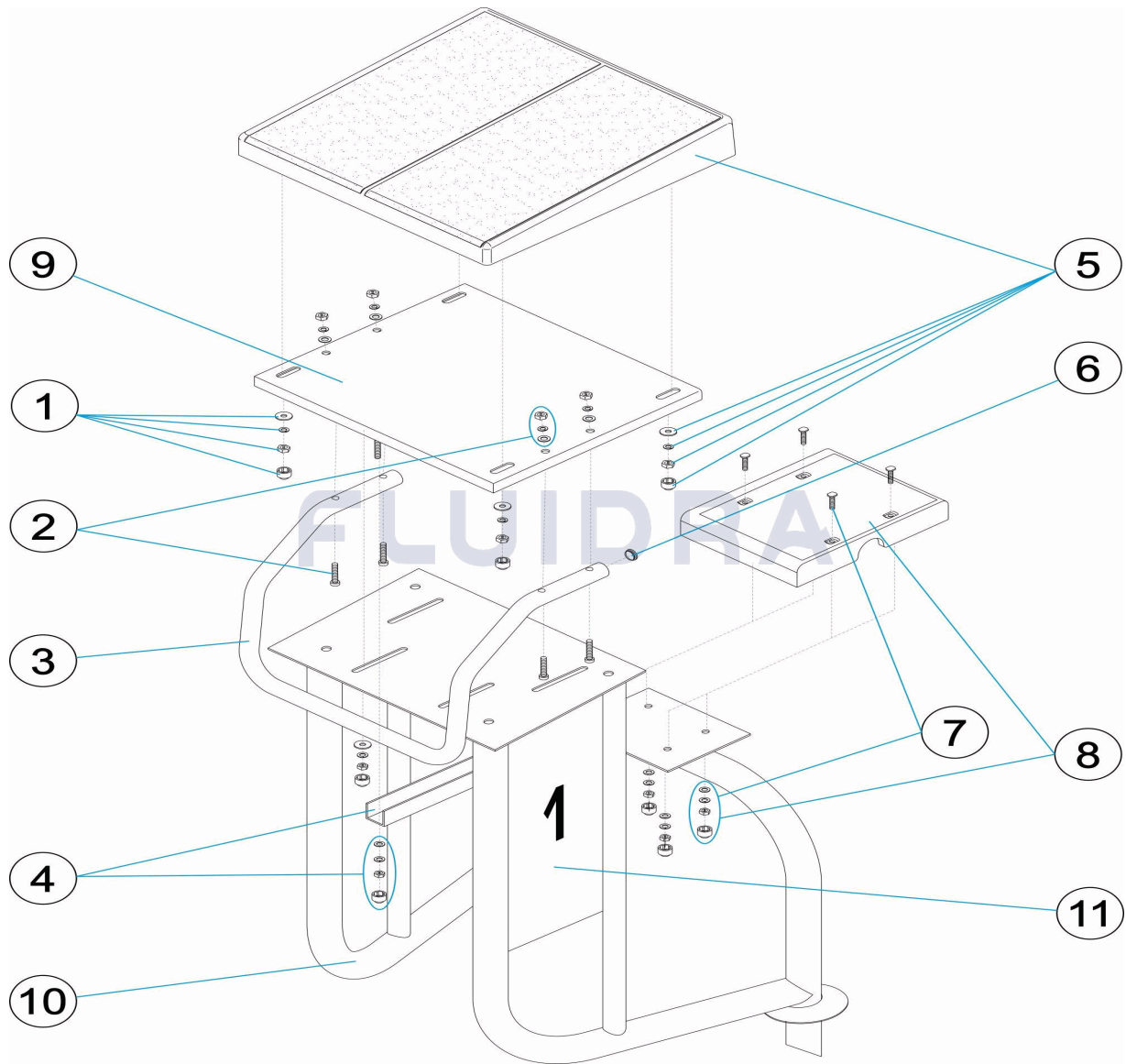


CODIGO **PD010147**

DESCRIPCION: **PODIUM DE TUBO SALIDA NADADORES ALTURA 400 M/M.**



ESPAÑOL

POS	CODIGO	DESCRIPCION	CANTIDAD	POS	CODIGO	DESCRIPCION	CANTIDAD
1	SP-01-0049	TORNILLERIA PLATAFORMA 304	7	7	SP-01-0052	TORNILLERIA PELDAÑO PODIUM 304	
2	SP-01-0027	TORNILLERIA AGARRADERA	8	8	SP-01-0053	PELDAÑO PODIUM	
3	SP-01-0028	AGARRADERA PODIUM AISI-316	9	9	SP-01-0065	BANDEJA FIJACION PLATAFORMA C.TORNI	
4	SP-01-0050	PERFIL REFUERZO 304	10	10	SP-01-0066	ESTRUCTURA PODIUM	
5	SP-01-0051	PLATAFORMA PODIUM	11	* 28616		NÚMERO DE CALLE 1-6 80 MM	
6	SP-01-0031	TAPON AGARRADERAS	11	* 28617		NÚMERO DE CALLE 1-10 80 MM	



KIT

REV: 0

9089

FECHA: 19/05/2022

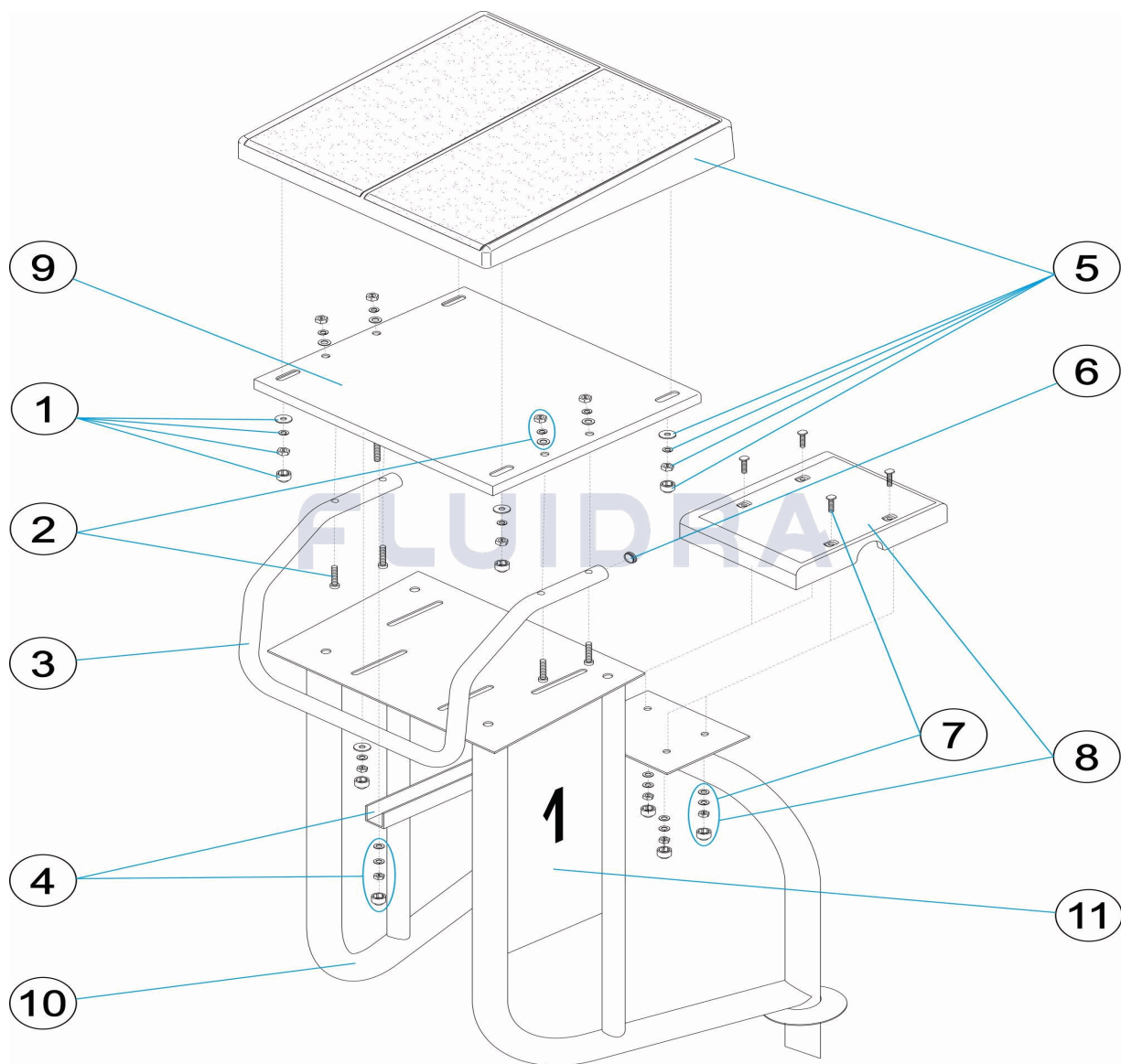
HOJA: 2/2

CODIGO **PD010147**DESCRIPCION: **PODIUM DE TUBO SALIDA NADADORES ALTURA 400 M/M.**

OBSERVACIONES

POS	CODIGO	OBSERVACIONES
11	* 28616	PARA: 1-6 NUMBERS
11	* 28617	PARA: 1-10 NUMBERS

CODE **PD010147**

 DESCRIPTION: **PLOT AVEC TUBE DÉPART NAGEURS HAUTEUR 400 M/M**

FRANCAIS

POS	CODE	DESCRIPTION	QUANTITE	POS	CODE	DESCRIPTION	QUANTITE
1	SP-01-0049	VISSERIE PLATE-FORME INOX 304		7	SP-01-0052	VISSERIE MARCHE INOX 304	
2	SP-01-0027	VIS MAIN COURANTE		8	SP-01-0053	MARCHE INOX	
3	SP-01-0028	RAMPE PLOT DE DÉPART AISI-316		9	SP-01-0065	PLAQUE DE FIXATION PLATEFORME A VIS	
4	SP-01-0050	RAIL DE REGLAGE PLATEFORME INOX 304		10	SP-01-0066	SOCLE	
5	SP-01-0051	PLATE-FORME		11	* 28616	NUMÉRO DE RUE 1-6 80 MM	
6	SP-01-0031	BOUCHON POUR MAIN COURANTE		11	* 28617	NUMÉRO DE RUE 1-10 80 MM	



ÉCLATÉ

REV.: 0
DATE: 19/05/2022
PAG.: 2/2

9089

CODE **PD010147**

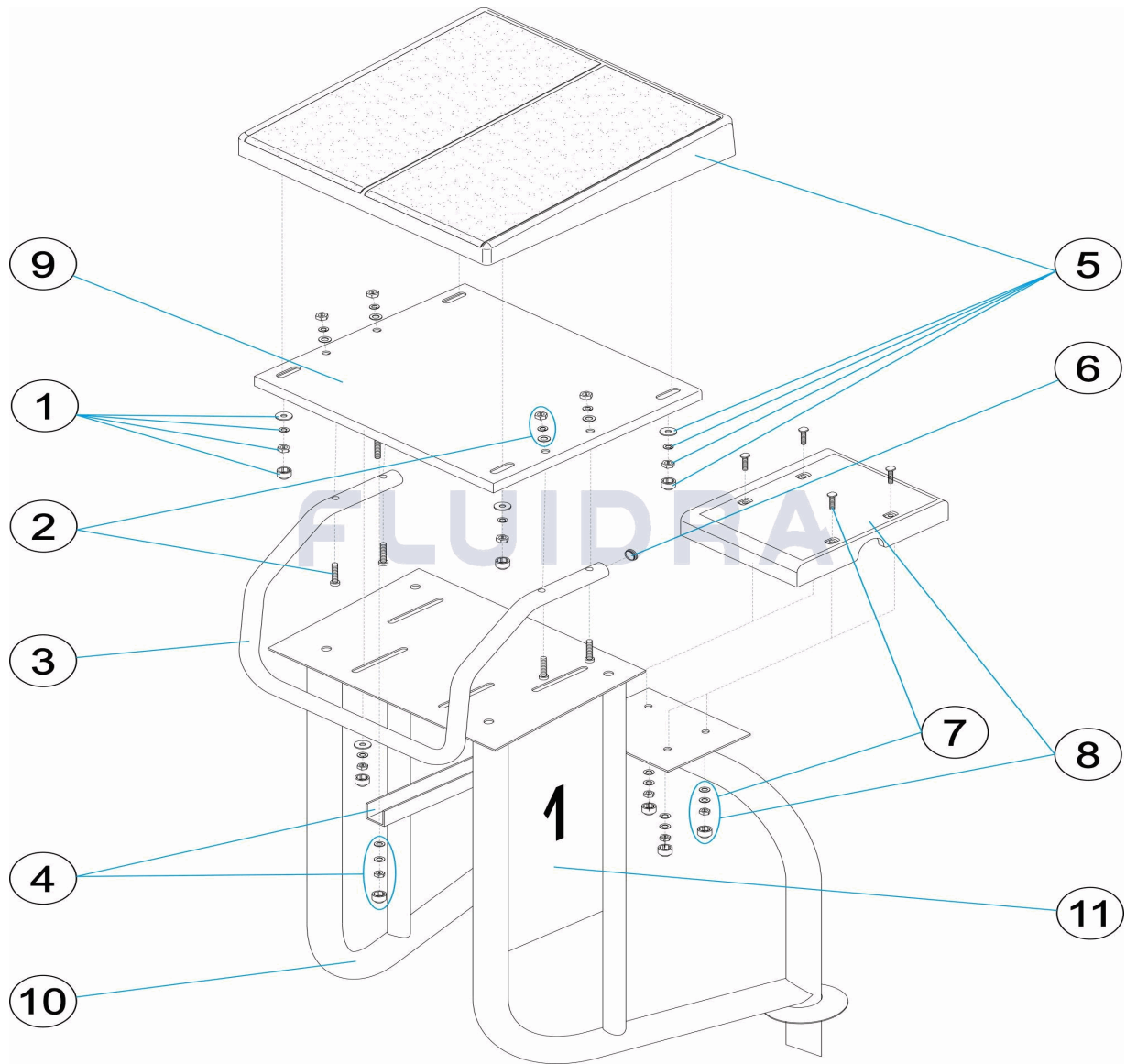
DESCRIPTION: **PLOT AVEC TUBE DÉPART NAGEURS HAUTEUR 400 M/M**

OBSERVATIONS

POS	CODE	OBSERVATIONS
11	* 28616	POUR: 1-6 NUMBERS
11	* 28617	POUR: 1-10 NUMBERS

CODE PD010147

DESCRIPTION: TUBING COMPETITION STARTING BLOCKS HEIGHT 400 M/M


ENGLISH

POS	CODE	DESCRIPTION	QUANTITY	POS	CODE	DESCRIPTION	QUANTITY
1	SP-01-0049	NUTS & WASHERS FOR PLATFORM 304		7	SP-01-0052	BOLT SET FOR STEP 304	
2	SP-01-0027	SCREW KIT FOR GRABPULL		8	SP-01-0053	BLOCK STEP SET	
3	SP-01-0028	GRABRAIL FOR PODIUM AISI-316		9	SP-01-0065	PLATFORM FIXING PLATE	
4	SP-01-0050	REINFORCING PROFILE 304		10	SP-01-0066	PODIUM STRUCTURE	
5	SP-01-0051	BLOCK PLATFORM		11	* 28616	STREET NUMBER 1-6 80 MM	
6	SP-01-0031	GRABRAIL CAP		11	* 28617	STREET NUMBER 1-10 80 MM	



PARTS BREAKDOWN

REV.: 0

9089

DATE: 19/05/2022

SHEET: 2/2

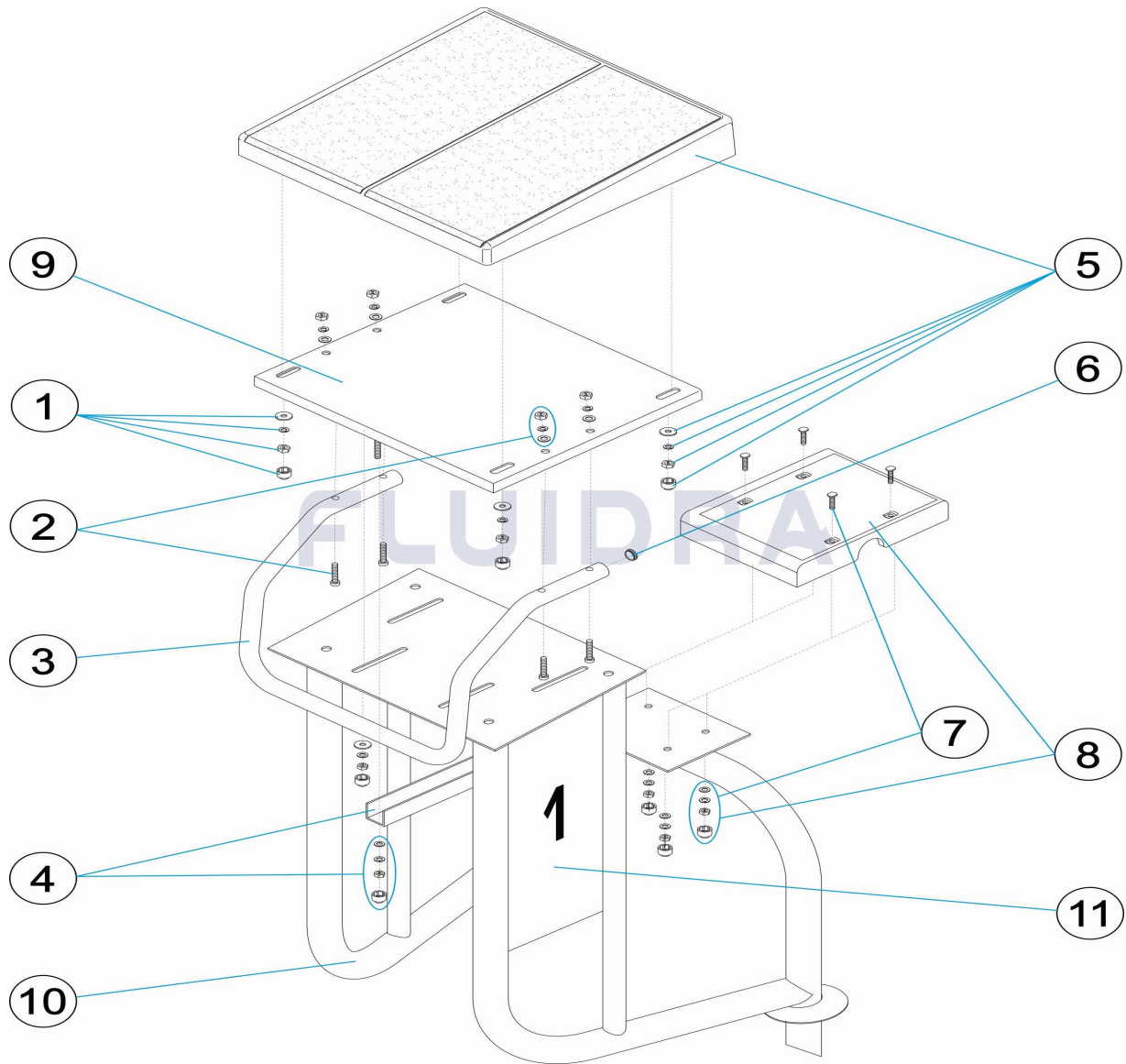
CODE **PD010147**

DESCRIPTION: **TUBING COMPETITION STARTING BLOCKS HEIGHT 400 M/M**

OBSERVATIONS

POS	CODE	OBSERVATIONS
11	* 28616	FOR: 1-6 NUMBERS
11	* 28617	FOR: 1-10 NUMBERS

CODICE **PD010147**

 DESCRIZIONE: **PODIO TUBO USCITA NUOTATORI ALTEZZA 400 M/M**

ITALIANO

POS	CODICE	DESCRIZIONE	QUANTITA'	POS	CODICE	DESCRIZIONE	QUANTITA'
1	SP-01-0049	KIT BULLONERIA PIATTAFORMA 304		7	SP-01-0052	KIT BULLONERIA GRADINO BLOCCO 304	
2	SP-01-0027	KIT VITI CORRIMANO		8	SP-01-0053	GRADINO BLOCCO PARTENZA	
3	SP-01-0028	CORRIMANO BLOCCO PARTENZA AISI-316		9	SP-01-0065	BASE FISSAGGIO PIATTAFORMA C/VITI	
4	SP-01-0050	PROFILO RINFORZO 304		10	SP-01-0066	STRUTTURA PODIO	
5	SP-01-0051	PIATTAFORMA		11	* 28616	NUMERO CIVICO 1-6 80 MM	
6	SP-01-0031	TAPPO CORRIMANO		11	* 28617	NUMERO CIVICO 1-10 80 MM	



ESPLOSO

REV.: 0

9089

DATA: 19/05/2022

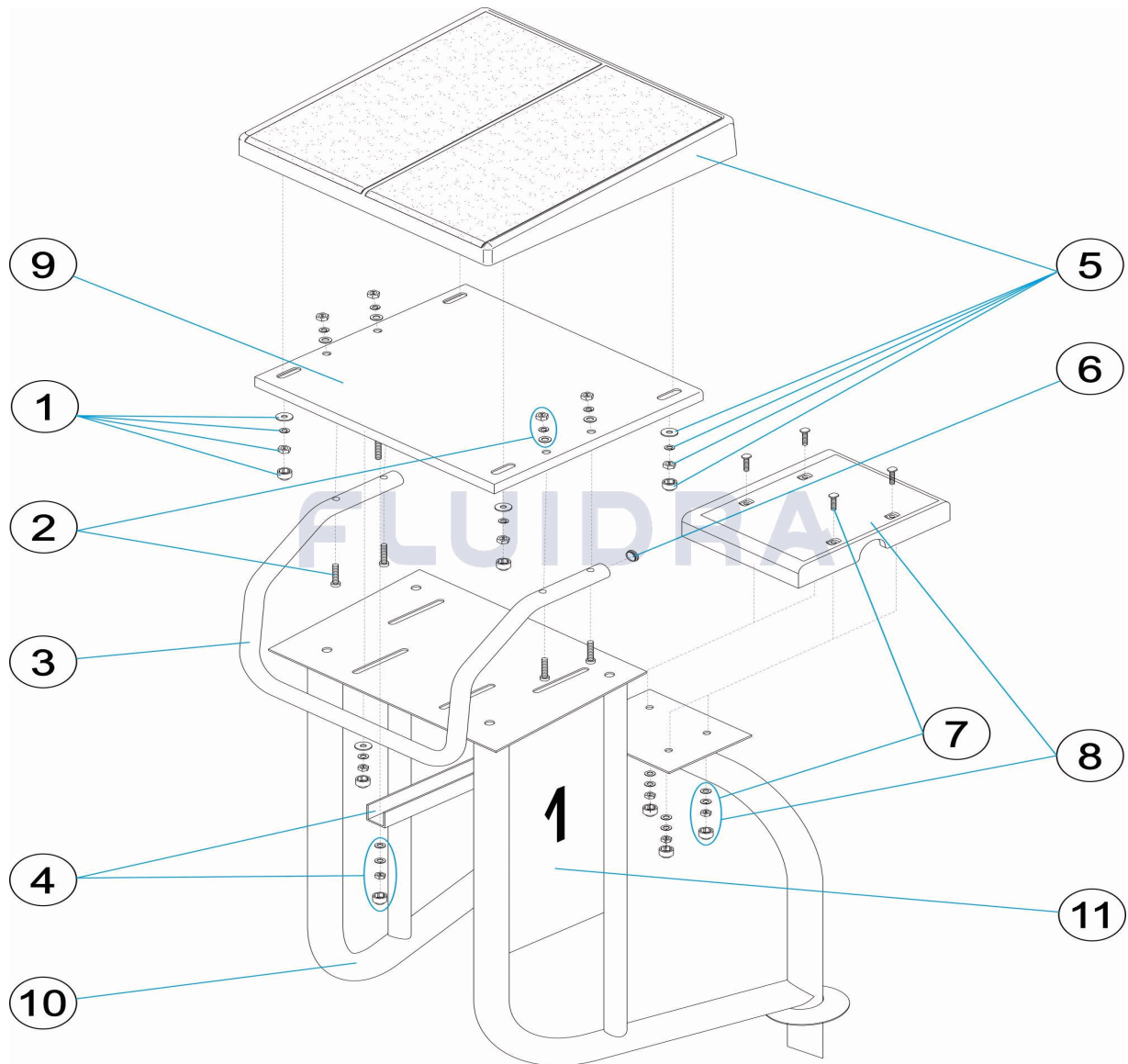
PAG.: 2/2

CODICE **PD010147**DESCRIZIONE: **PODIO TUBO USCITA NUOTATORI ALTEZZA 400 M/M**

OSSERVAZIONI

POS	CODICE	OSSERVAZIONI
11	* 28616	PER: 1-6 NUMBERS
11	* 28617	PER: 1-10 NUMBERS

CODE **PD010147**

 BESCHREIBUNG: **STARTBOCK ROHRKONSTRUKTION HÖHE 400 M/M**

DEUTSCH

POS	CODE	BESCHREIBUNG	MENGE	POS	CODE	BESCHREIBUNG	MENGE
1	SP-01-0049	SCHRAUBENSATZ PLATTFORM 304		7	SP-01-0052	SCHRAUBENSATZ STUFE STARTBOCK 304	
2	SP-01-0027	SCHRAUBENSATZ HALTEGRIFF		8	SP-01-0053	STUFE STARTBOCK	
3	SP-01-0028	HALTEGRIFF STARTBLOCK AISI - 316		9	SP-01-0065	FIXIERBASIS PLATTFORM MIT SCHRAUBE	
4	SP-01-0050	VERSTÄRKUNGSPROFIL 304		10	SP-01-0066	STRUKTUR STARTBOCK	
5	SP-01-0051	PLATTFORM STARTBOCK		11	* 28616	SCHWIMMBAHNNUMMER 1-6 80 MM	
6	SP-01-0031	STOPFEN HALTEGRIFFE		11	* 28617	SCHWIMMBAHNNUMMER 1-10 80 MM	



EINZELTEILE

ÜBER.: 0

9089

DATUM: 19/05/2022

BLATT: 2/2

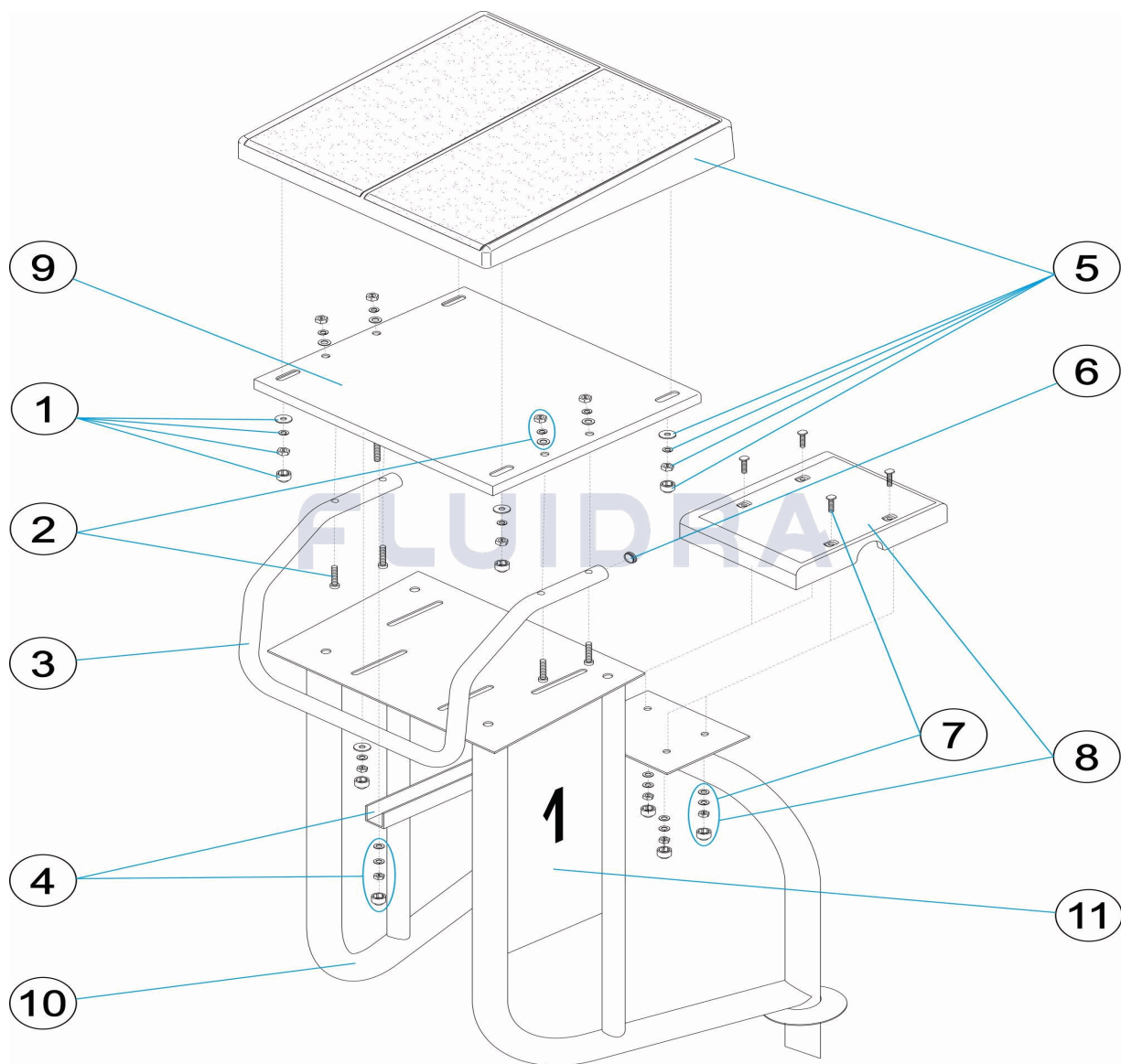
CODE **PD010147**

BESCHREIBUNG: **STARTBOCK ROHRKONSTRUKTION HÖHE 400 M/M**

HINWEISE

POS	CODE	HINWEISE
11	* 28616	FÜR: 1-6 NUMBERS
11	* 28617	FÜR: 1-10 NUMBERS

CODIGO **PD010147**

 DESCRIÇÃO: **PÓDIO DE TUBO SAÍDA NADADORES ALTURA 400 M/M.**

PORTUGUES

POS	CODIGO	DESCRIÇÃO	JANTIDADE	POS	CODIGO	DESCRIÇÃO	JANTIDADE
1	SP-01-0049	PARAFUSOS PLATAFORMA 304		7	SP-01-0052	PARAFUSOS DEGRAU PODIUM 304	
2	SP-01-0027	CONJ. PARAFUSOS AGARRADEIRA		8	SP-01-0053	DEGRAU PODIUM	
3	SP-01-0028	AGARRADEIRA PODIUM AISI-316		9	SP-01-0065	BANDEJA FIXAÇÃO PLATAFORMA C.PARAF	
4	SP-01-0050	PERFIL REFORÇO 304		10	SP-01-0066	ESTRUTURA PODIUM	
5	SP-01-0051	PLATAFORMA PODIUM		11	* 28616	NÚMERO DE RUA 1-6 80 MM	
6	SP-01-0031	TAMPAO DA AGARRADEIRA		11	* 28617	NÚMERO DE RUA 1-10 80 MM	



ITEM

REV.: 0

9089

DATA: 19/05/2022

FOLHA: 2/2

CODIGO **PD010147**DESCRIÇÃO: **PÓDIO DE TUBO SAÍDA NADADORES ALTURA 400 M/M.**

OBSERVAÇÕES

POS	CODIGO	OBSERVAÇÕES
11	* 28616	PARA: 1-6 NUMBERS
11	* 28617	PARA: 1-10 NUMBERS