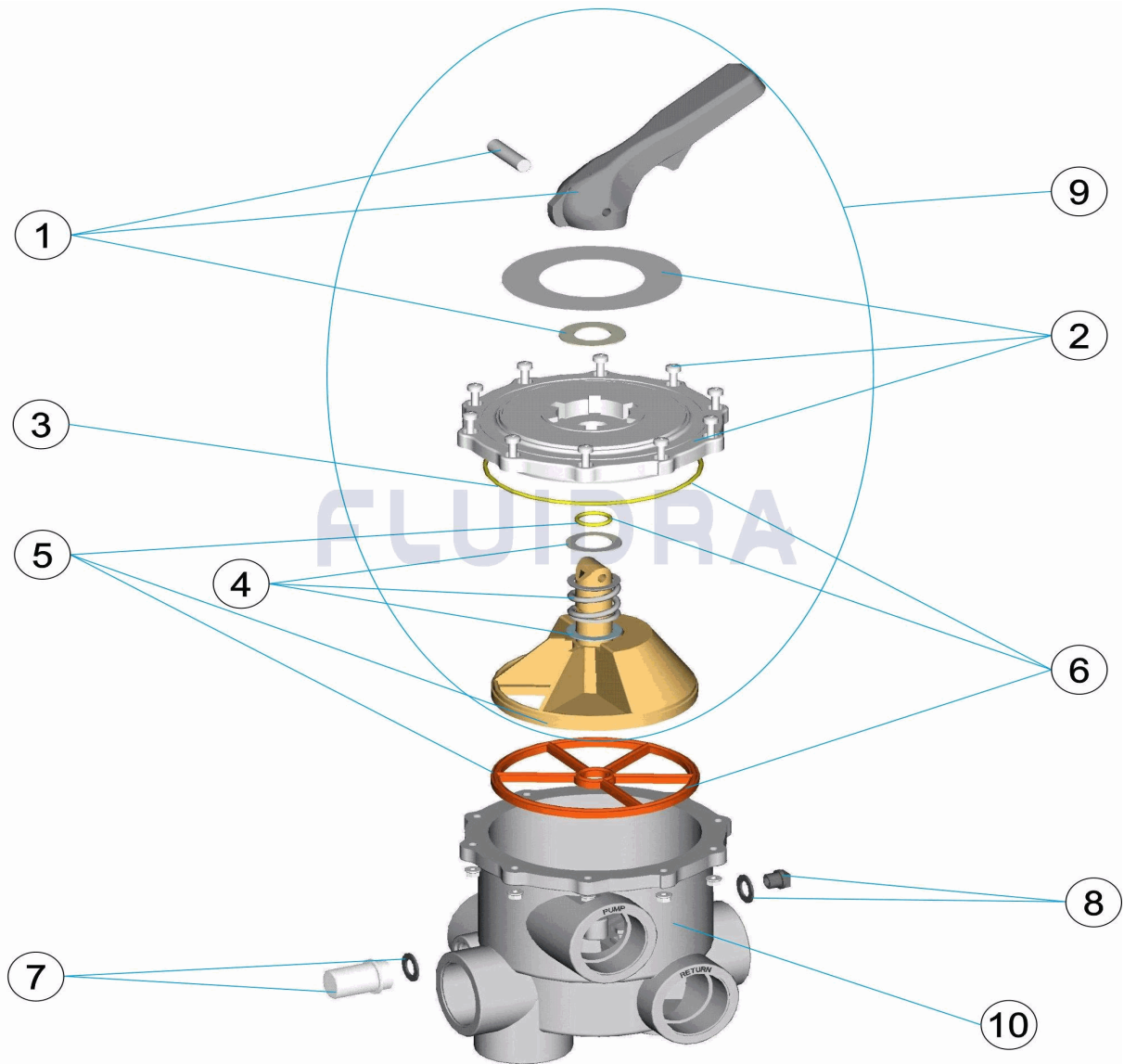
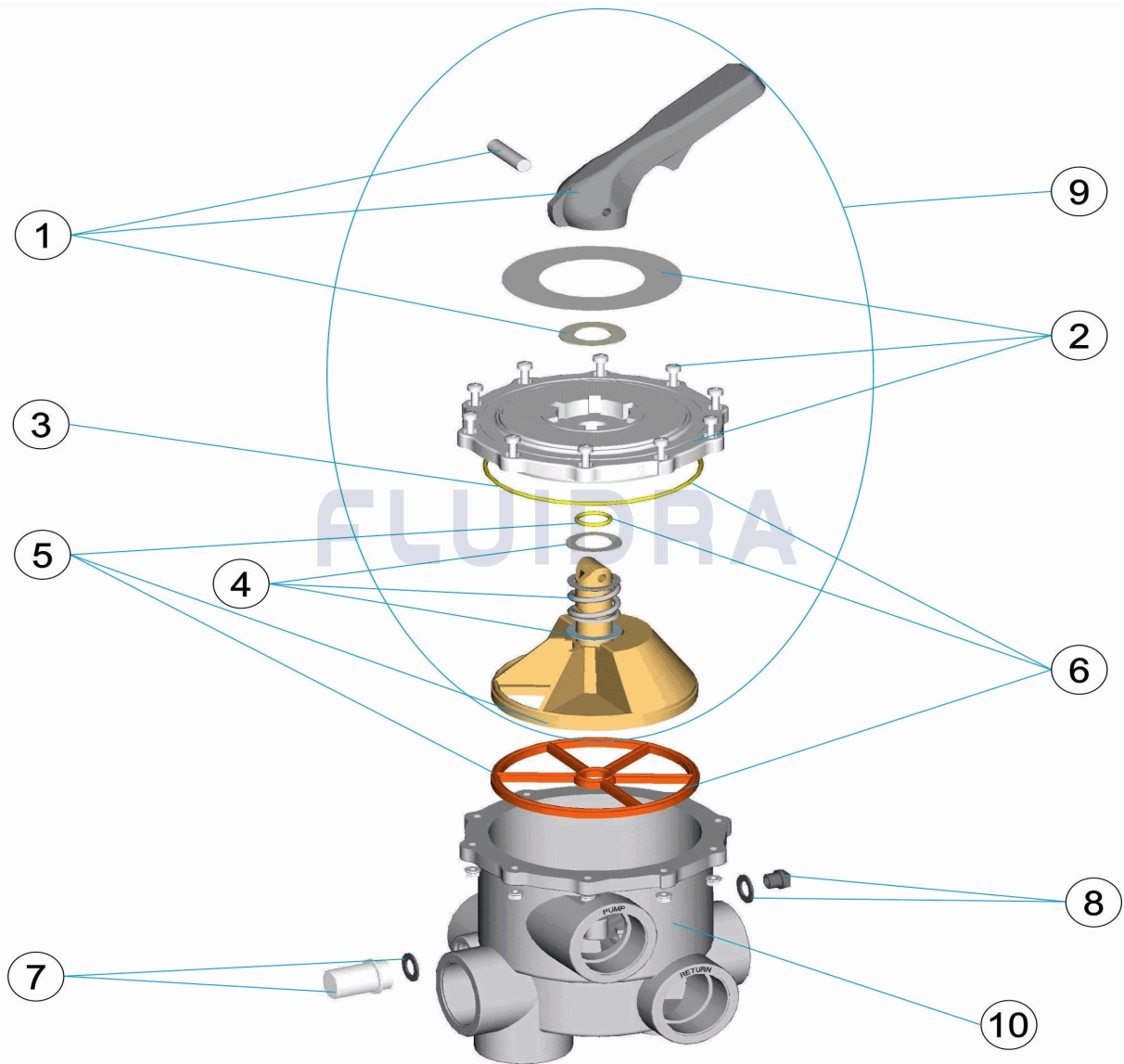


CODIGO **PS-6002**

 DESCRIPCION: **VALVULA SELECTORA 2"**

ESPAÑOL

POS	CODIGO	DESCRIPCION	CANTIDAD	POS	CODIGO	DESCRIPCION	CANTIDAD
1	SP-04-0048	MANETA NEGRA VALVULA 2"		6	SP-04-0051	JUNTAS VALVULA 2"	
2	SP-04-0049	TAPA VALVULA 2"		7	SP-04-0007	VISOR CON JUNTA	
3	SP-04-0050	JUNTA TORICA TAPA 2"		8	SP-04-0008	TAPON 1/4 VALVULA	
4	SP-04-0041	RESORTE CON ARANDELAS		9	SP-04-0111	CJTO. SUPERIOR 2"	
5	SP-04-0053	DISTRIBUIDOR CON JUNTAS 2' NUEVO		10	SP-04-0519	CUERPO VALVULA SELECTORA 2"	

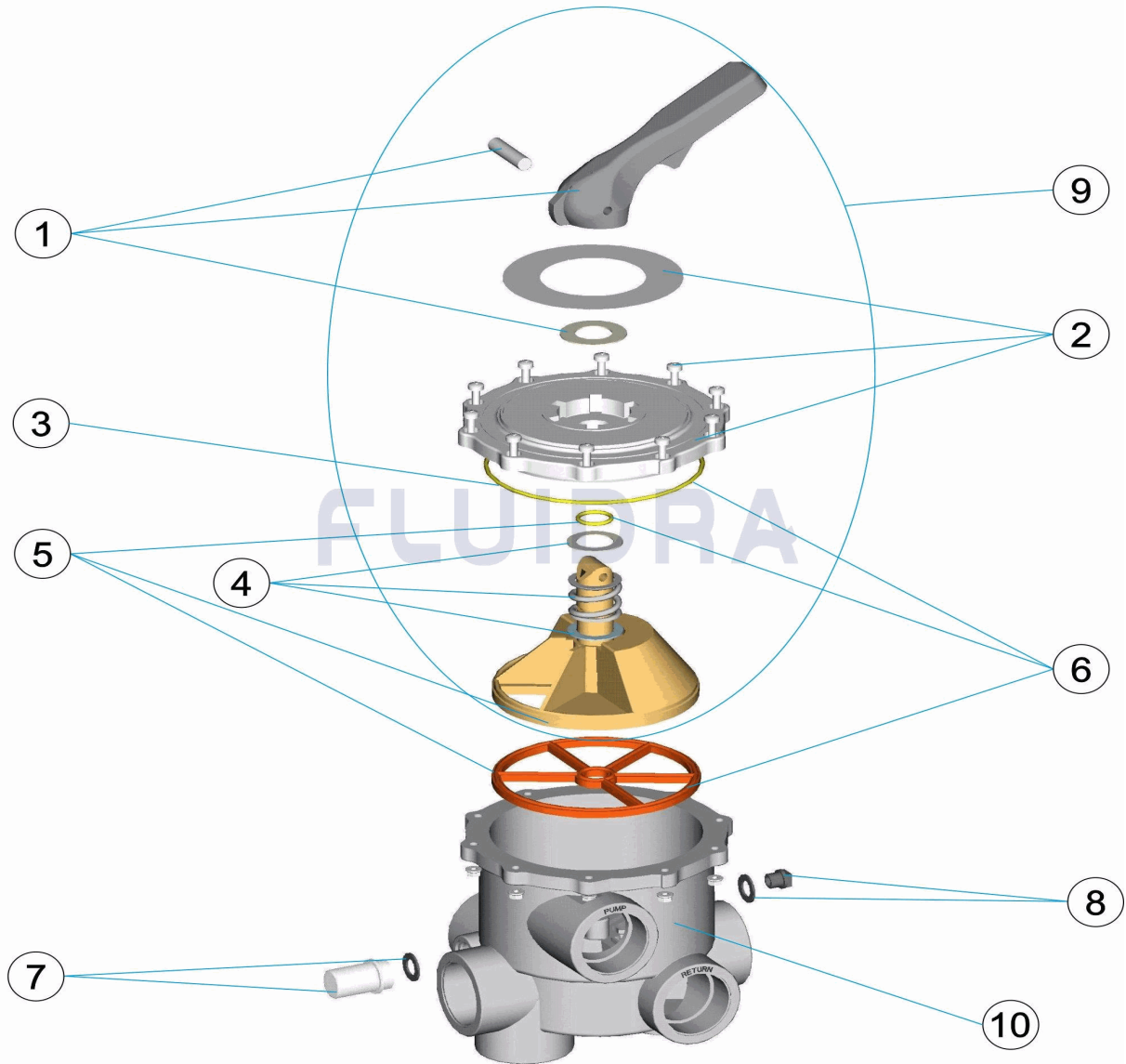
CODE **PS-6002**
 DESCRIPTION: **SÉLECTEUR 2"**



FRANCAIS

POS	CODE	DESCRIPTION	QUANTITE	POS	CODE	DESCRIPTION	QUANTITE
1	SP-04-0048	POIGNEE NOIRE 2'		6	SP-04-0051	JOINTS DE VANNE 2'	
2	SP-04-0049	DESSUS DE VANNE 2"		7	SP-04-0007	VOYANT ET JOINT	
3	SP-04-0050	JOINT TORIQUE COUVERCLE 2"		8	SP-04-0008	BOUCHON 1/4' DE VANNE	
4	SP-04-0041	RESSORT ET RONDELLES		9	SP-04-0111	ENSEMBLE SUPÉRIEUR 2"	
5	SP-04-0053	BOISSEAU AVEC JOINTS 2'		10	SP-04-0519	CORPS DE VANNE DE SELECTION 2"	

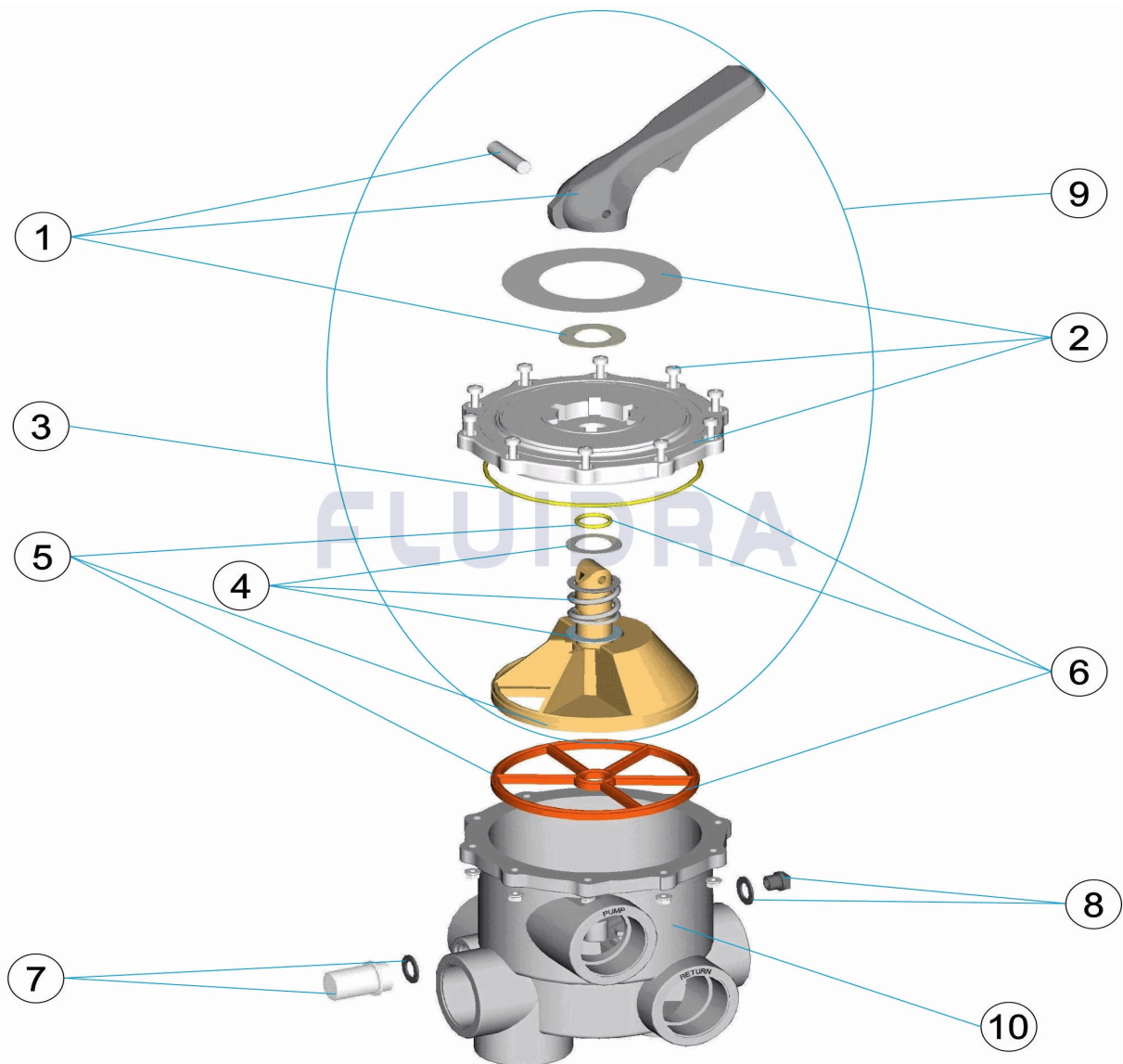
CODE **PS-6002**
DESCRIPTION: **MULTIPORT VALVE 2"**



ENGLISH

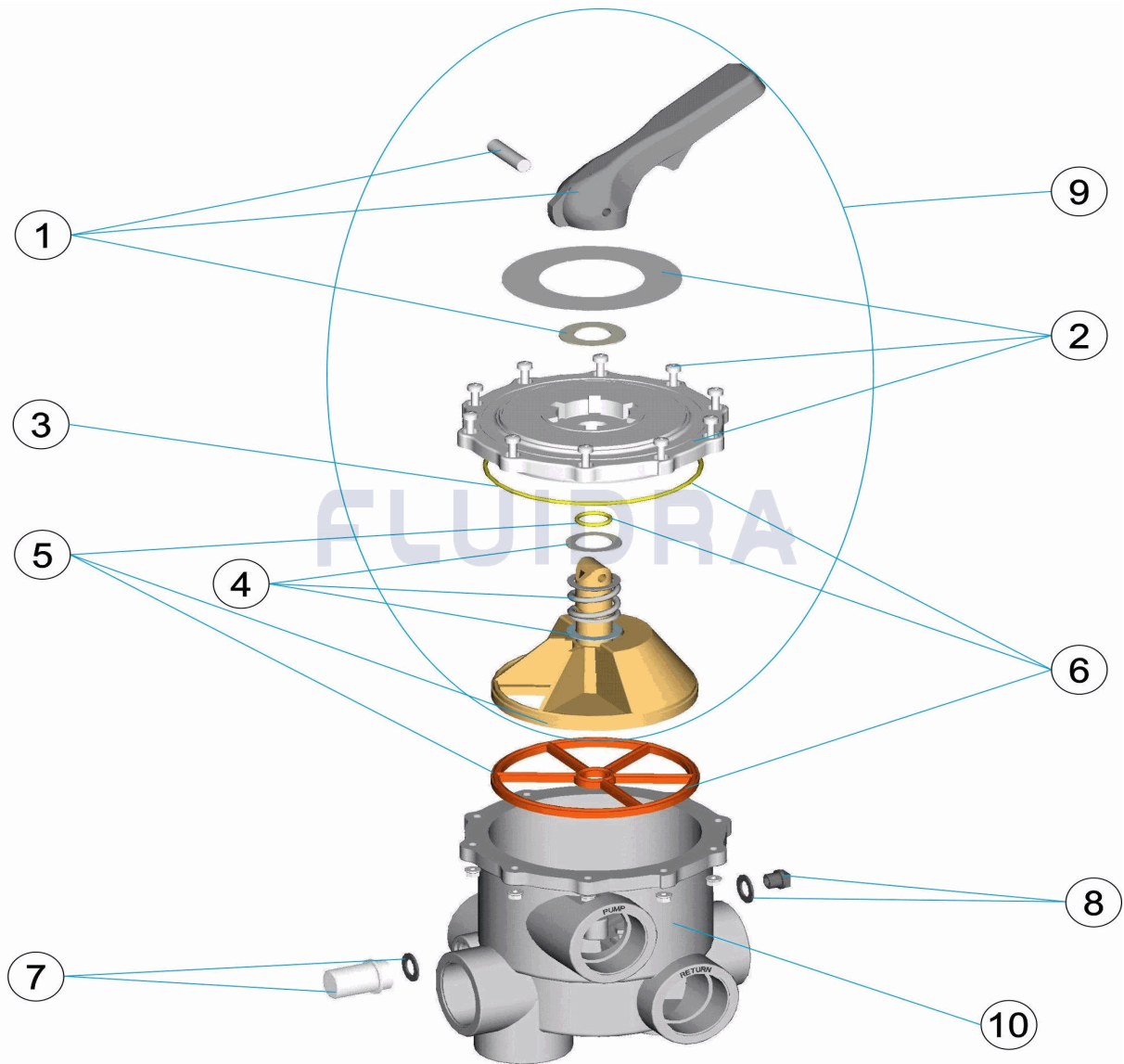
POS	CODE	DESCRIPTION	QUANTITY	POS	CODE	DESCRIPTION	QUANTITY
1	SP-04-0048	BLACK HANDLE 2"		6	SP-04-0051	GASKETS 2"	
2	SP-04-0049	VALVE 2"		7	SP-04-0007	VISOR WITH SEAL	
3	SP-04-0050	2" LID 'O' RING "		8	SP-04-0008	PLUG 1/4"	
4	SP-04-0041	SPRING WITH WASHERS		9	SP-04-0111	SET. SUPERIOR 2	
5	SP-04-0053	DISTRIBUTOR WITH GASKETS 2' NEW		10	SP-04-0519	VALVE BODY 2"	

CODICE **PS-6002**

 DESCRIZIONE: **VALVOLA SELETRICE 2"**

ITALIANO

POS	CODICE	DESCRIZIONE	QUANTITA'	POS	CODICE	DESCRIZIONE	QUANTITA'
1	SP-04-0048	MANIGLIA NERA PER VALVOLA 2"		6	SP-04-0051	GUARNIZIONI VALVOLA 2'	
2	SP-04-0049	COPERCHIO VALVOLA 2"		7	SP-04-0007	VISORE CON GUARNIZIONE	
3	SP-04-0050	O-RING COPERCHIO 2"		8	SP-04-0008	COPERCHIO 1/4' VALVOLA	
4	SP-04-0041	MOLLA CON RONDELLA		9	SP-04-0111	KIT PARTE SUPERIORE SELETRICE 2"	
5	SP-04-0053	DISTRIBUTORE CON GUARNIZIONI 2' NUC		10	SP-04-0519	CORPO VALVOLA SELETRICE 2"	

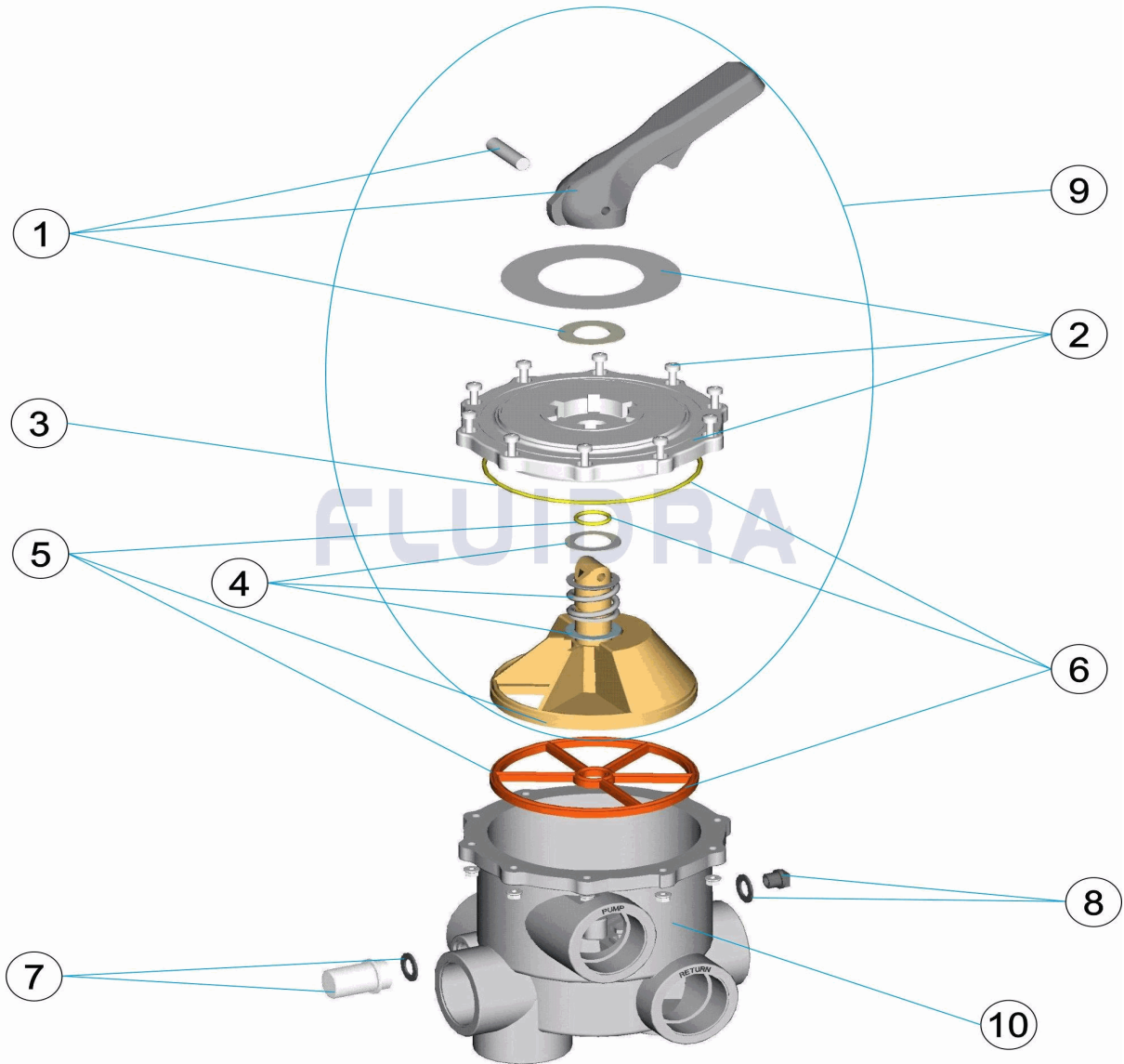
CODE **PS-6002**

 BESCHREIBUNG: **MEHRWEGVENTIL 2"**

DEUTSCH

POS	CODE	BESCHREIBUNG	MENGE	POS	CODE	BESCHREIBUNG	MENGE
1	SP-04-0048	GRIF SCHWARZ VENTIL 2'		6	SP-04-0051	VENTILDICHTUNGEN 2'	
2	SP-04-0049	VENTILDECKEL 2"		7	SP-04-0007	SCHAUGLAS UND DICHTUNG	
3	SP-04-0050	O-RING ABDECKUNG 2"		8	SP-04-0008	STOPFEN 1/4' VENTIL	
4	SP-04-0041	FEDER MIT UNTERLEGSCHIEBEN		9	SP-04-0111	SET OBEN 2"	
5	SP-04-0053	VERTEILER UND DICHTUNGEN 2' NEUVER		10	SP-04-0519	GEHÄUSE MEHRWEGVENTIL 2"	

CODIGO **PS-6002**

DESCRIÇÃO: **VÁLVULA SELECTORA 2"**



PORTUGUES

POS	CODIGO	DESCRIÇÃO	JANTIDADE	POS	CODIGO	DESCRIÇÃO	JANTIDADE
1	SP-04-0048	MANIPULO PRETO VÁLVULA 2'		6	SP-04-0051	JUNTAS VÁLVULA 2'	
2	SP-04-0049	TAMPA VALVULA 2"		7	SP-04-0007	VISOR COM JUNTA	
3	SP-04-0050	JUNTA TÓRICA TAMPA 2"		8	SP-04-0008	TAMPÃO 1/4' VÁLVULA	
4	SP-04-0041	MOLA COM ANILHAS		9	SP-04-0111	CONJUNTO SUPERIOR 2"	
5	SP-04-0053	DISTRIBUIDOR COM JUNTAS 2' NOVO		10	SP-04-0519	CORPO VALVULA SELECTORA 2"	