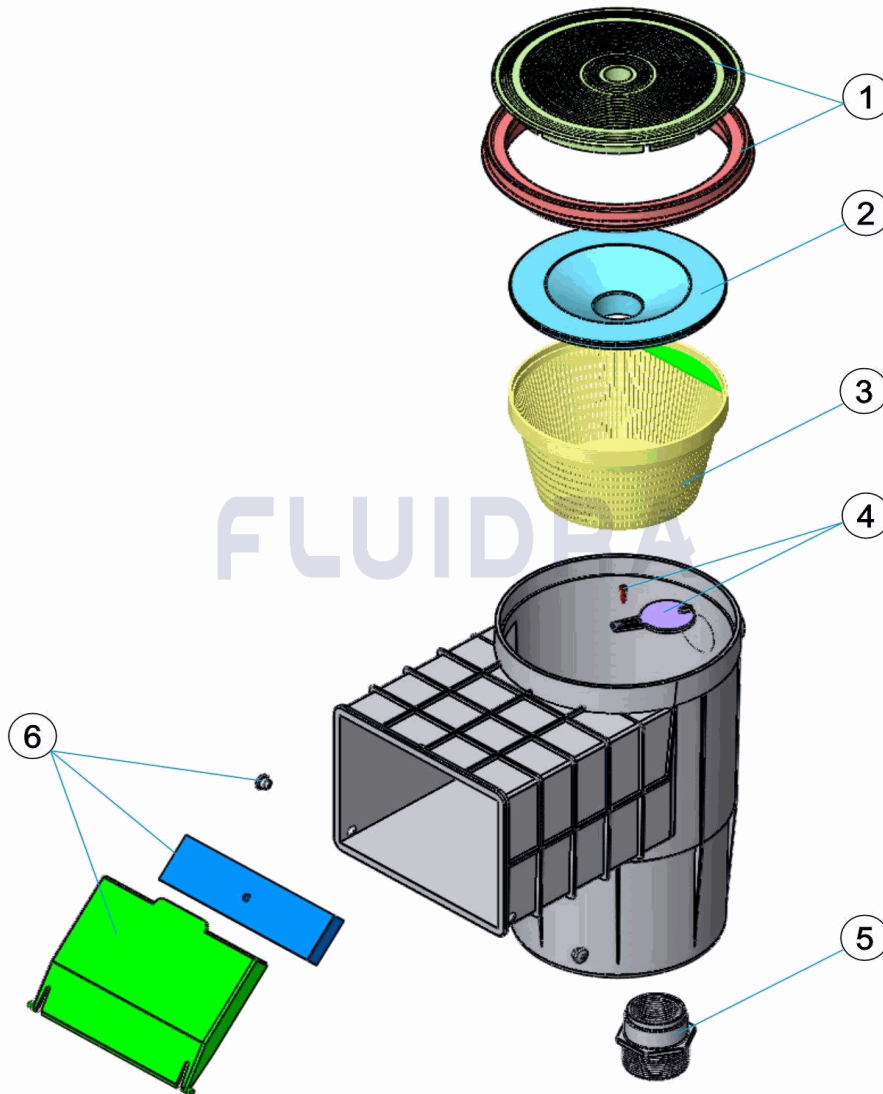


CODIGO **A-001-TR**

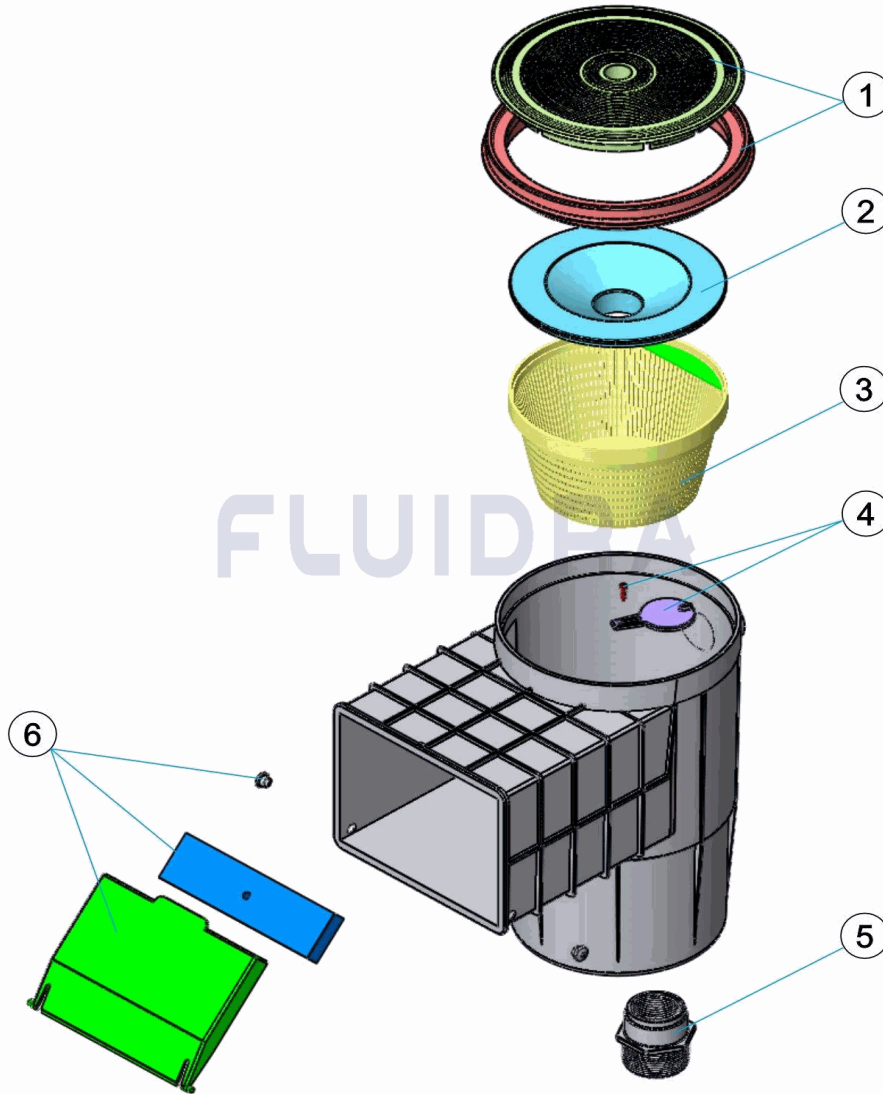
DESCRIPCION: **SKIMMER PISCINA HORMIGON**



ESPAÑOL

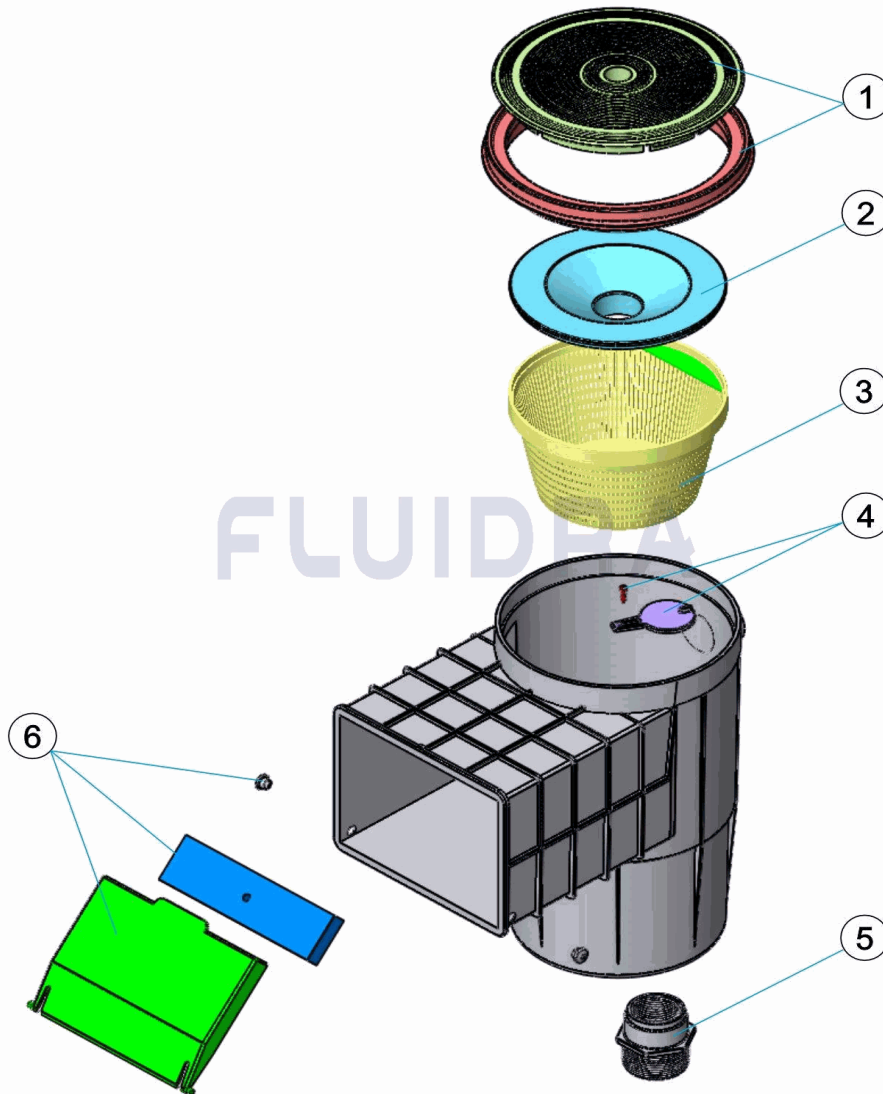
POS	CODIGO	DESCRIPCION	CANTIDAD	POS	CODIGO	DESCRIPCION	CANTIDAD
1	SP-02-0124	TAPA CIRCULAR CON ARO	4	4	SP-02-0044	CLAPETA SKIMMER	
2	SP-02-0043	TAPA ASPIRACION SKIMMER	5	5	SP-02-0123	COMPUERTA SKIMMER	
3	SP-02-0050	CESTO SKIMMER	6	6	SP-02-0049	MACHON SKIMMER ROSCADO	

CODE **A-001-TR**

 DESCRIPTION: **SKIMMER PISCINE BÉTON**

FRANCAIS

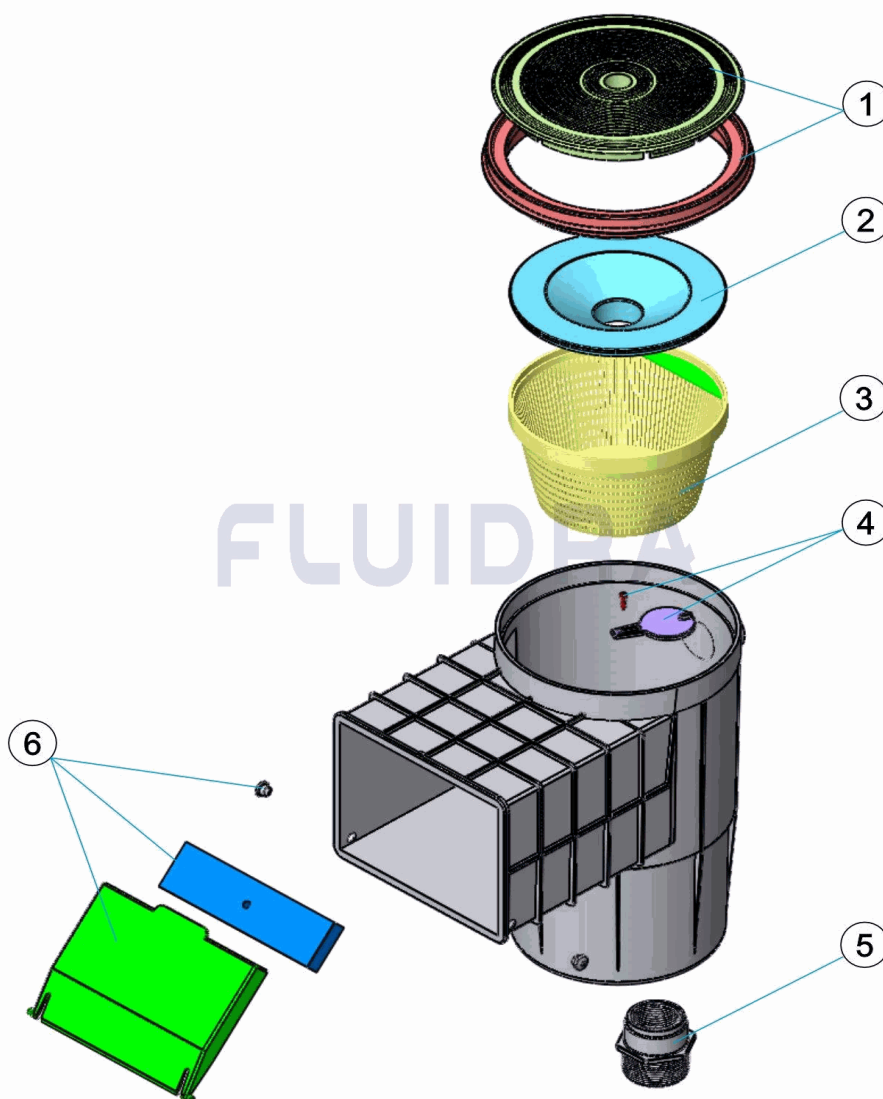
POS	CODE	DESCRIPTION	QUANTITE	POS	CODE	DESCRIPTION	QUANTITE
1	SP-02-0124	COUVERCLE ROND ET CADRE	4	4	SP-02-0044	CLAPET SKIMMER	
2	SP-02-0043	COUVERCLE ASPIRATION SKIMMER	5	5	SP-02-0123	COLET DE SKIMMER	
3	SP-02-0050	PANIER SKIMMER	6	6	SP-02-0049	MANCHON	

CODE **A-001-TR**

 DESCRIPTION: **SKIMMER CONCRETE POOL**

ENGLISH

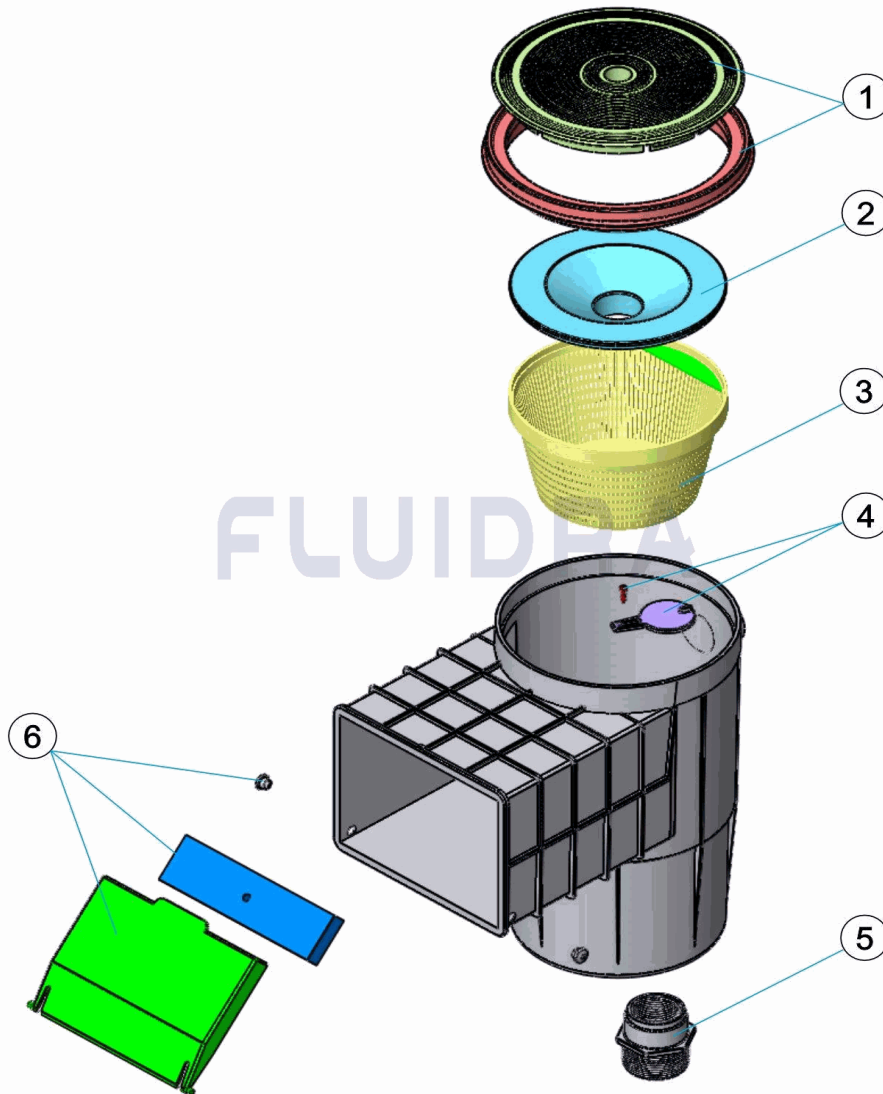
POS	CODE	DESCRIPTION	QUANTITY	POS	CODE	DESCRIPTION	QUANTITY
1	SP-02-0124	FRAME WITH CIRCULAR COVER		4	SP-02-0044	KEYHOLE FLAP	
2	SP-02-0043	SKIMMER BASKET FOR ABOVE GROUND		5	SP-02-0123	SKIMMER FLAP	
3	SP-02-0050	SKIMMER BASKET		6	SP-02-0049	SPIGOT	

CODICE **A-001-TR**

 DESCRIZIONE: **SKIMMER PISCINA CEMENTO**

ITALIANO

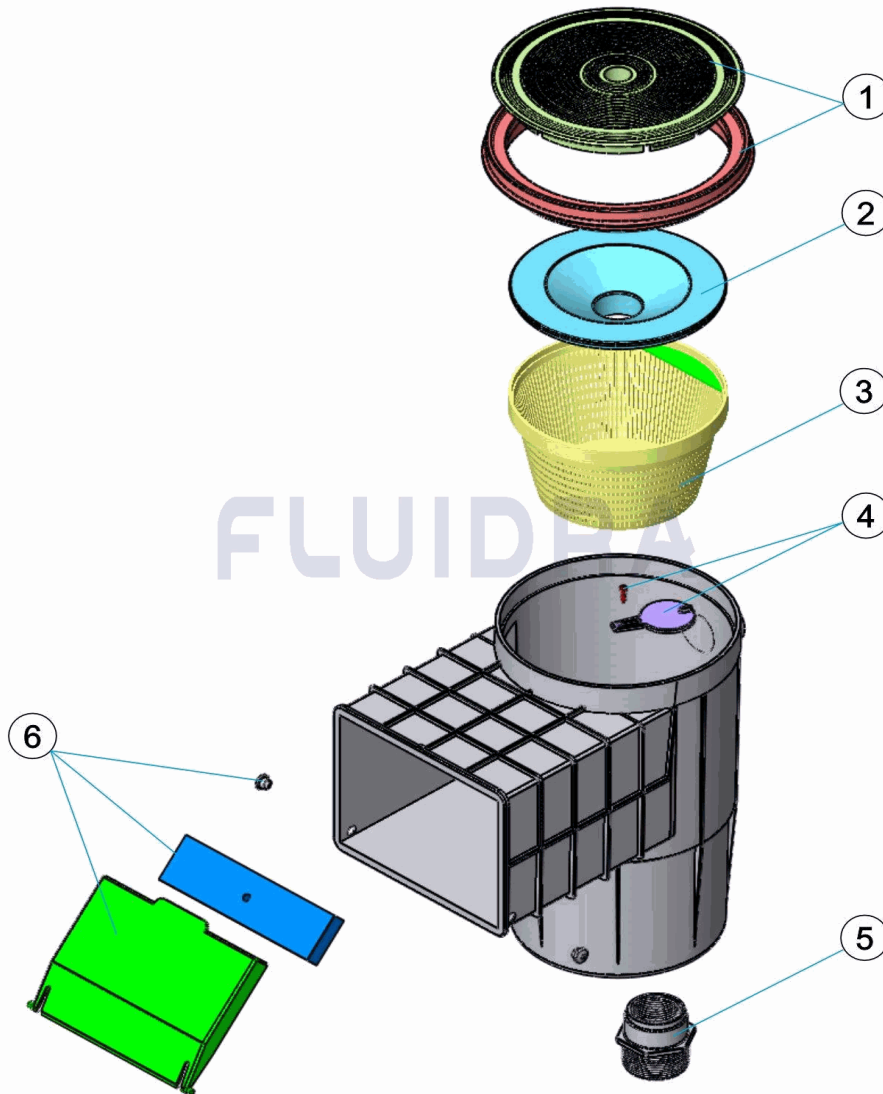
POS	CODICE	DESCRIZIONE	QUANTITA'	POS	CODICE	DESCRIZIONE	QUANTITA'
1	SP-02-0124	COPERCHIO TONDO CON CORNICE	4	SP-02-0044	ALETTA PARZIALIZZATRICE SKIMMER		
2	SP-02-0043	COPERCHIO ASPIRAZIONE SKIMMER	5	SP-02-0123	BATTENTE SKIMMER		
3	SP-02-0050	CESTELLO SKIMMER	6	SP-02-0049	NIPPLO		

CODE **A-001-TR**

 BESCHREIBUNG: **SKIMMER BETONBECKEN**

DEUTSCH

POS	CODE	BESCHREIBUNG	MENGE	POS	CODE	BESCHREIBUNG	MENGE
1	SP-02-0124	ABDECKUNG RUND MIT RING		4	SP-02-0044	ABDECKKAPPE	
2	SP-02-0043	ABDECKUNG SKIMMER		5	SP-02-0123	SKIMMERKLAPPE	
3	SP-02-0050	SKIMMERKORB		6	SP-02-0049	SCHRAUBTEIL	

CODIGO **A-001-TR**

 DESCRIÇÃO: **SKIMMER PISCINA BETÃO**

PORTUGUES

POS	CODIGO	DESCRIÇÃO	JANTIDADE	POS	CODIGO	DESCRIÇÃO	JANTIDADE
1	SP-02-0124	TAMPA CIRCULAR COM ARO	4	SP-02-0044	CLAPETA SKIMMER		
2	SP-02-0043	TAMPA ASPIRAÇÃO SKIMMER	5	SP-02-0123	BATTENTE SKIMMER		
3	SP-02-0050	CESTO SKIMMER	6	SP-02-0049	MACHO		