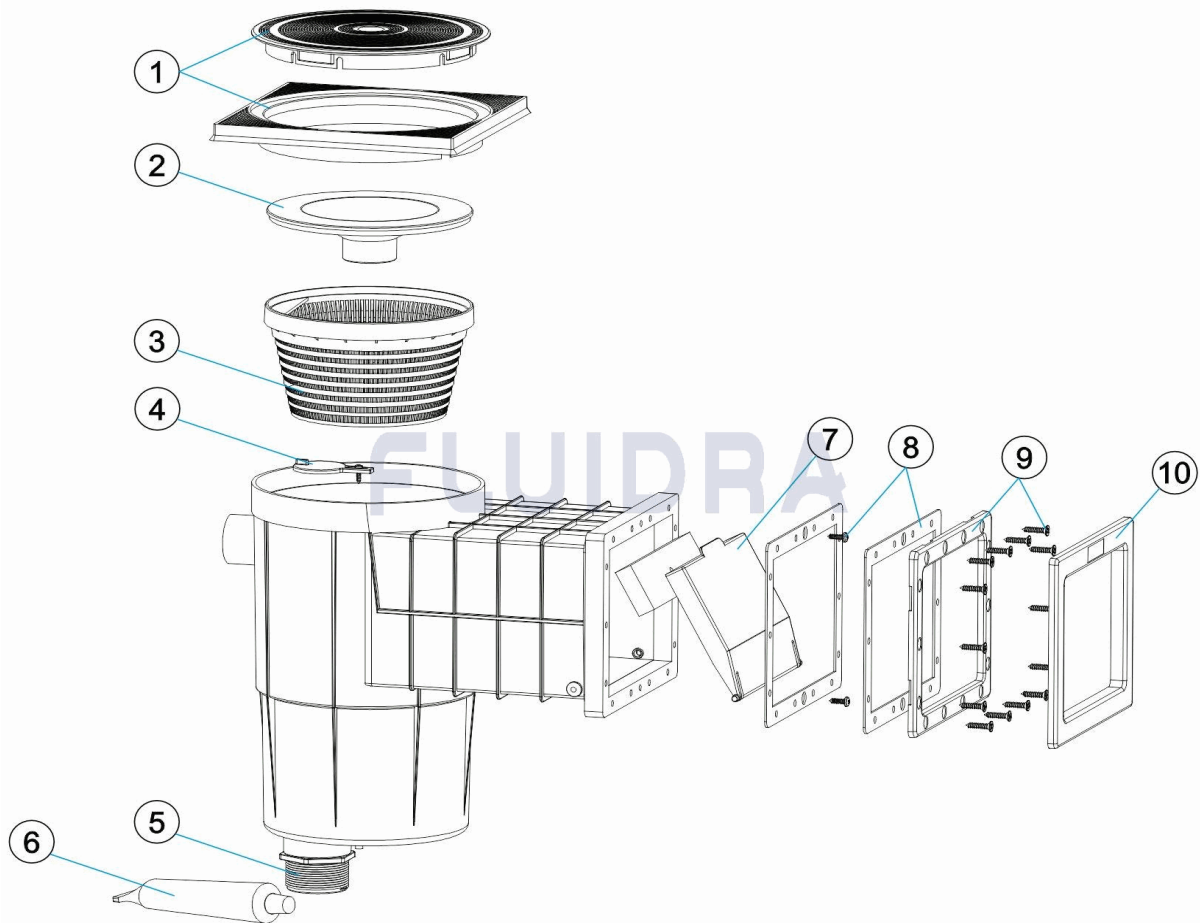
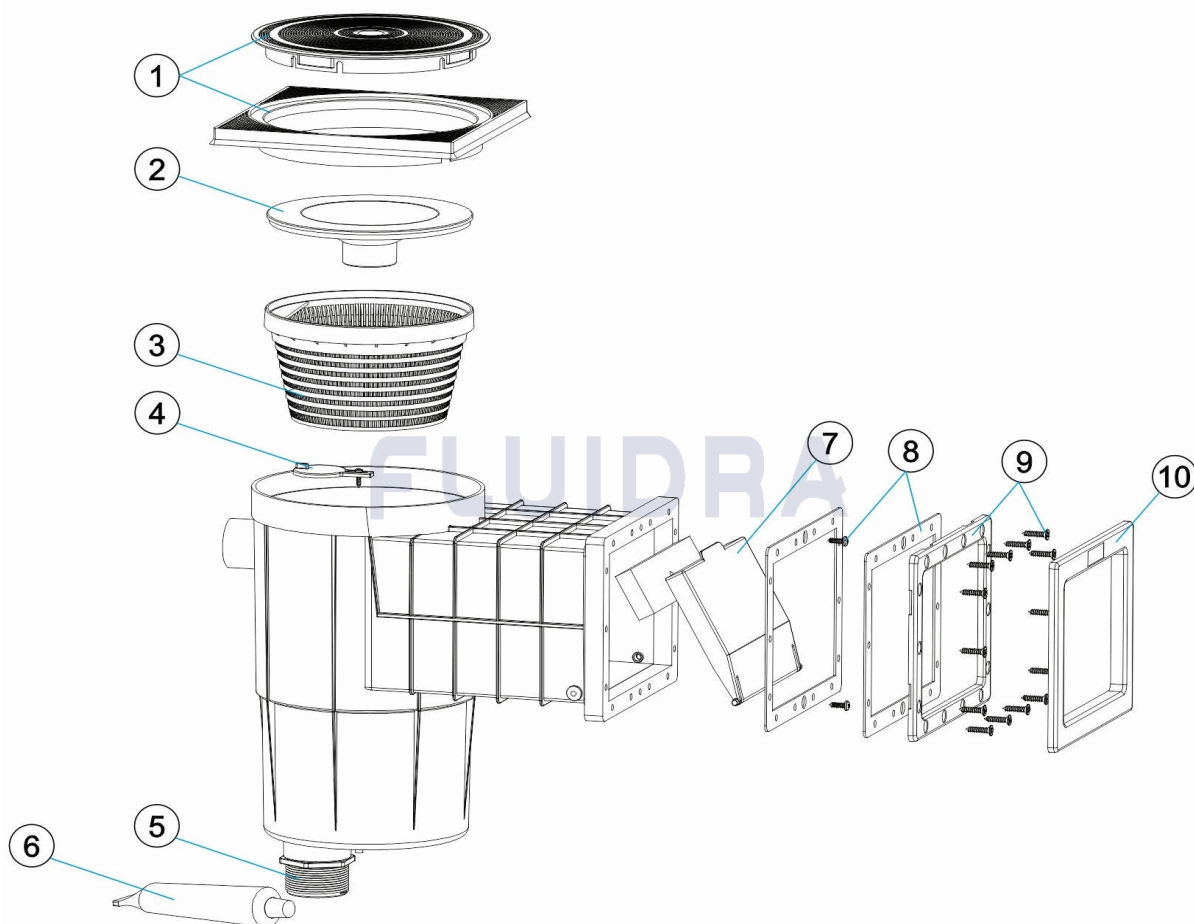


CODIGO **A-003-L-NEW**

 DESCRIPCION: **SKIMMER PISCINA LINER**

ESPAÑOL

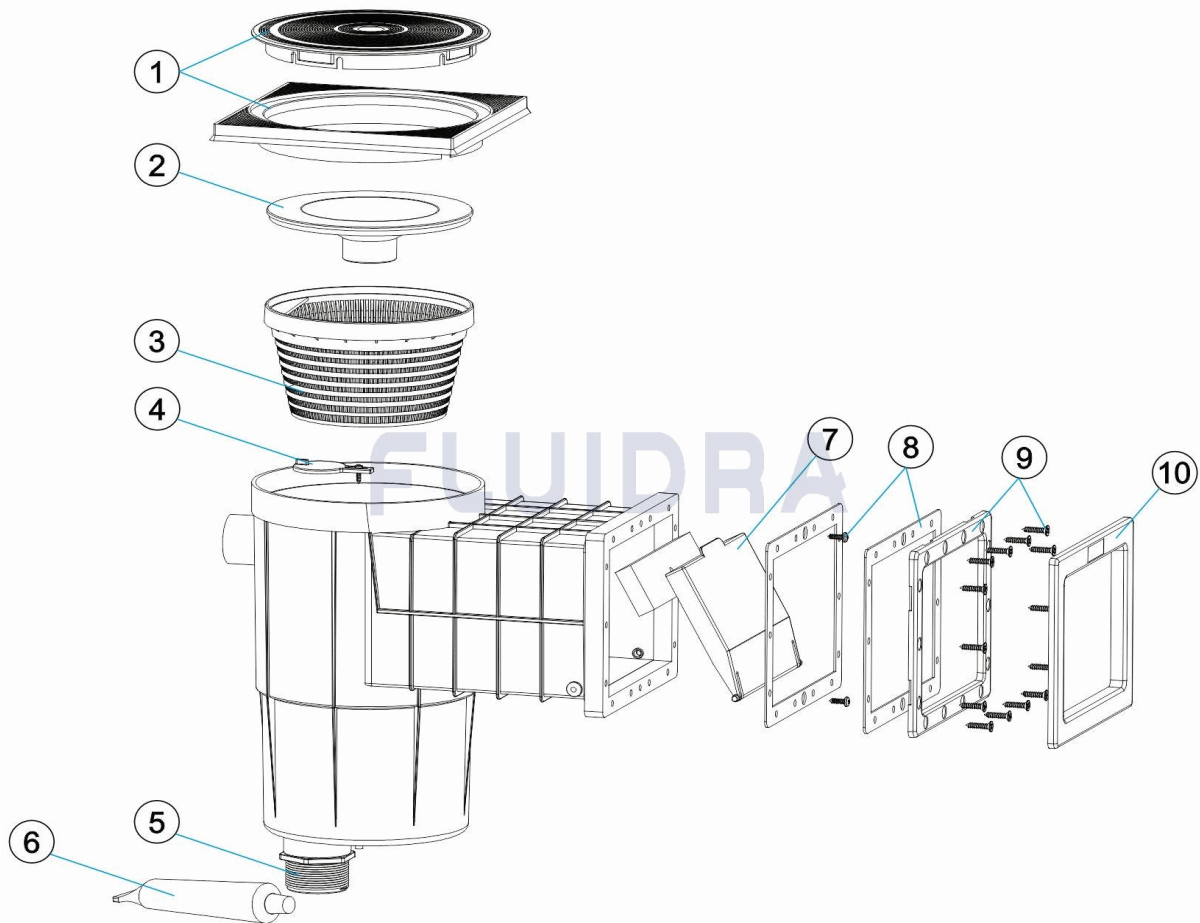
POS	CODIGO	DESCRIPCION	CANTIDAD	POS	CODIGO	DESCRIPCION	CANTIDAD
1	SP-02-0042	MARCO CUADRADO Y TAPA		6	30884	ADHESIVO PARA ABS	
2	SP-02-0043	TAPA ASPIRACION SKIMMER		7	SP-02-0123	COMPUERTA SKIMMER	
3	SP-02-0050	CESTO SKIMMER		8	SP-02-0126	JUNTA ADHESIVA SKIMMER	
4	SP-02-0044	CLAPETA SKIMMER		9	SP-02-0127	BRIDA BOCA SKIMMER	
5	SP-02-0049	MACHON SKIMMER ROSCADO		10	SP-02-0129	EMBELLECEDOR SKIMMER	

CODE **A-003-L-NEW**

 DESCRIPTION: **SKIMMER PISCINE LINER**

FRANCAIS

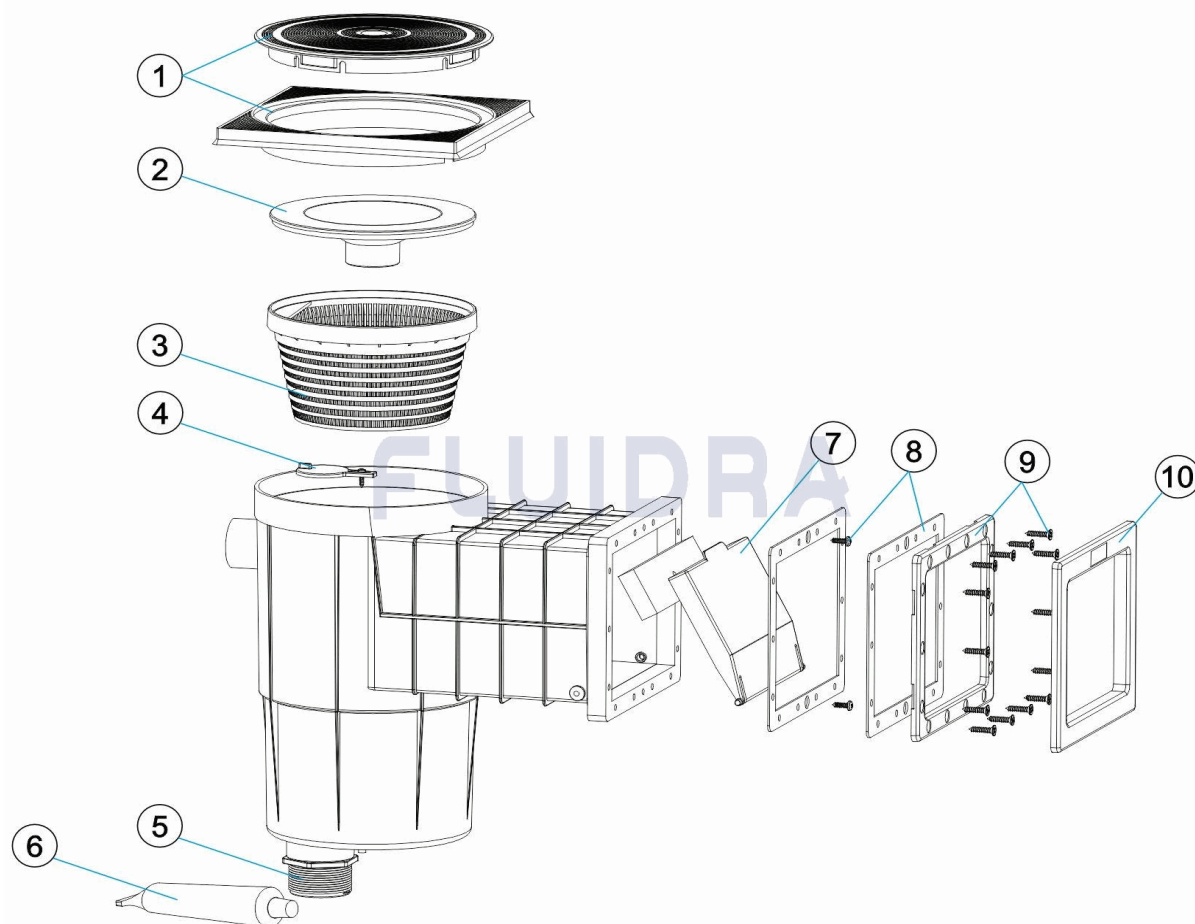
POS	CODE	DESCRIPTION	QUANTITE	POS	CODE	DESCRIPTION	QUANTITE
1	SP-02-0042	CADRE ET COUVERCLE ROND	6	30884	ADHÉSIF POUR ABS		
2	SP-02-0043	COUVERCLE ASPIRATION SKIMMER	7	SP-02-0123	COLET DE SKIMMER		
3	SP-02-0050	PANIER SKIMMER	8	SP-02-0126	JOINT ADHESIF SKIMMER		
4	SP-02-0044	CLAPET SKIMMER	9	SP-02-0127	BRIDE DE BOUCHE SKIMMER		
5	SP-02-0049	MANCHON	10	SP-02-0129	ENJOLIVEUR SKIMMER		

CODE **A-003-L-NEW**

 DESCRIPTION: **SKIMMER POOL LINER**

ENGLISH

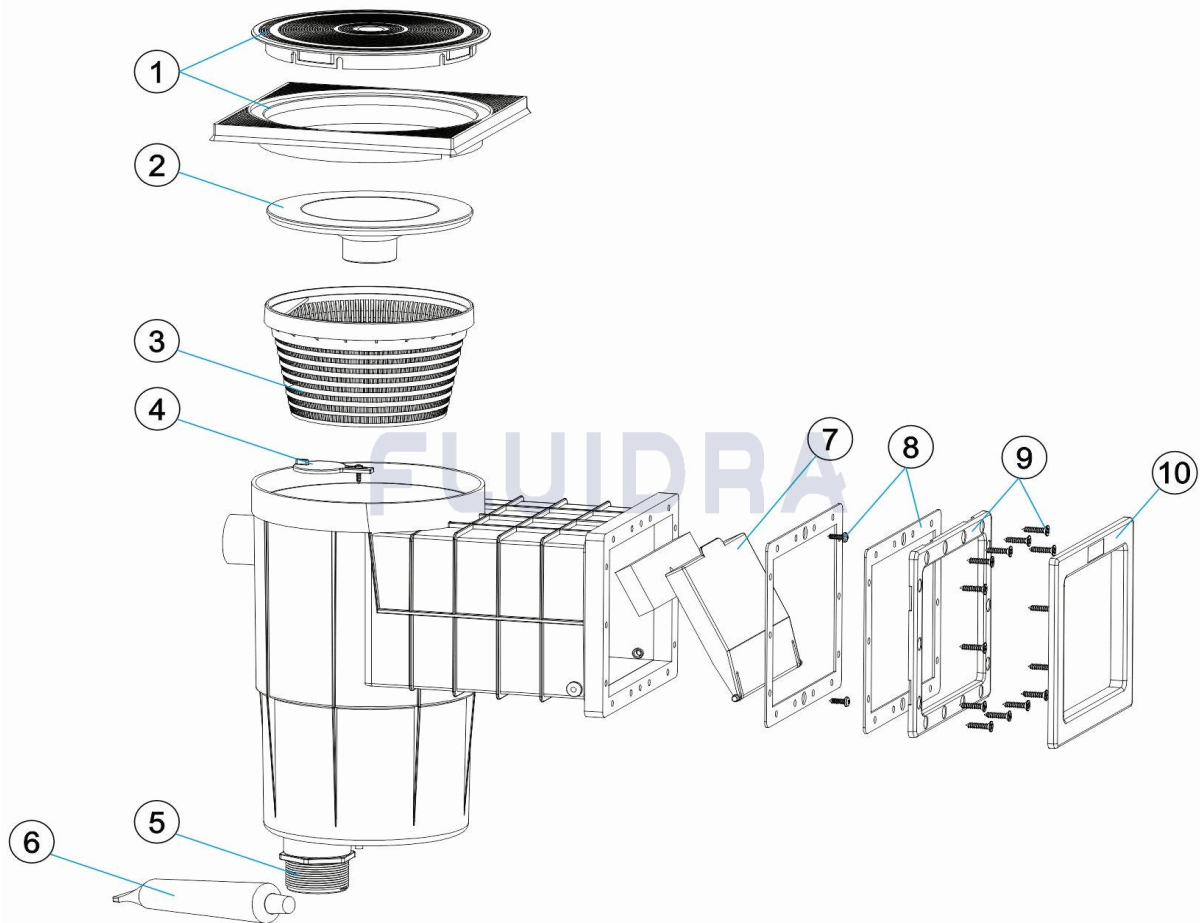
POS	CODE	DESCRIPTION	QUANTITY	POS	CODE	DESCRIPTION	QUANTITY
1	SP-02-0042	SQUARE RIM AND LID		6	30884	ADHESIVE FOR ABS	
2	SP-02-0043	SKIMMER BASKET FOR ABOVE GROUND		7	SP-02-0123	SKIMMER FLAP	
3	SP-02-0050	SKIMMER BASKET		8	SP-02-0126	ADHESIVE GASKET SKIMMER	
4	SP-02-0044	KEYHOLE FLAP		9	SP-02-0127	FLANGE MOUTH WITH SKIMMER	
5	SP-02-0049	SPIGOT		10	SP-02-0129	SKIMMER FACEPLATE	

CODICE **A-003-L-NEW**

 DESCRIZIONE: **SKIMMER PISCINA LINER**

ITALIANO

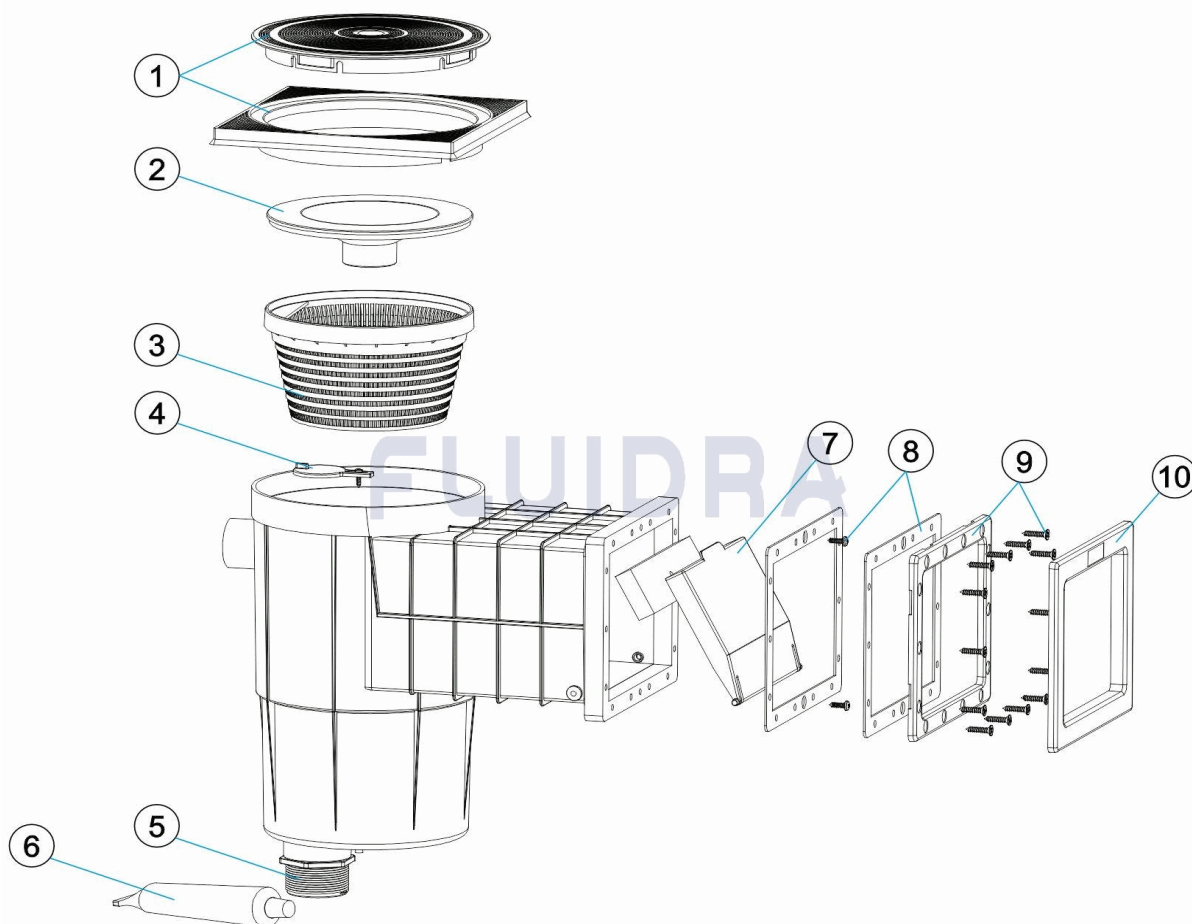
POS	CODICE	DESCRIZIONE	QUANTITA'	POS	CODICE	DESCRIZIONE	QUANTITA'
1	SP-02-0042	FLANGIA QUADRATA E COPERCHIO	6	30884	ADESIVO PER ABS		
2	SP-02-0043	COPERCHIO ASPIRAZIONE SKIMMER	7	SP-02-0123	BATTENTE SKIMMER		
3	SP-02-0050	CESTELLO SKIMMER	8	SP-02-0126	GUARNIZIONE ADESIVA SKIMMER		
4	SP-02-0044	ALETTA PARZIALIZZATRICE SKIMMER	9	SP-02-0127	FLANGIA BOCCHETTASKIMMER		
5	SP-02-0049	NIPLO	10	SP-02-0129	ANELLO FRONTALE SKIMMER		

CODE **A-003-L-NEW**

 BESCHREIBUNG: **SKIMMER FOLIENBECKEN**

DEUTSCH

POS	CODE	BESCHREIBUNG	MENGE	POS	CODE	BESCHREIBUNG	MENGE
1	SP-02-0042	QUADRATISCHER RAHMEN UND ABDECKL	6	30884		AUFKLEBER ABS	
2	SP-02-0043	ABDECKUNG SKIMMER	7	SP-02-0123		SKIMMERKLAPPE	
3	SP-02-0050	SKIMMERKORB	8	SP-02-0126		DICHTUNG SELBSTKLEBEND SKIMMER	
4	SP-02-0044	ABDECKKAPPE	9	SP-02-0127		FLANSCH SKIMMEREINLASS	
5	SP-02-0049	SCHRAUBTEIL	10	SP-02-0129		BLENDE SKIMMER	

CODIGO **A-003-L-NEW**

 DESCRIÇÃO: **SKIMMER PISCINA LINER**

PORTUGUES

POS	CODIGO	DESCRIÇÃO	JANTIDADE	POS	CODIGO	DESCRIÇÃO	JANTIDADE
1	SP-02-0042	ARO QUADRADO E TAMPA	6	30884	ADESIVO PARA ABS		
2	SP-02-0043	TAMPA ASPIRAÇÃO SKIMMER	7	SP-02-0123	BATTENTE SKIMMER		
3	SP-02-0050	CESTO SKIMMER	8	SP-02-0126	JUNTA ADESIVA SKIMMER		
4	SP-02-0044	CLAPETA SKIMMER	9	SP-02-0127	FLANGE BOCA SKIMMER		
5	SP-02-0049	MACHO	10	SP-02-0129	EMBELEZADOR SKIMMER		