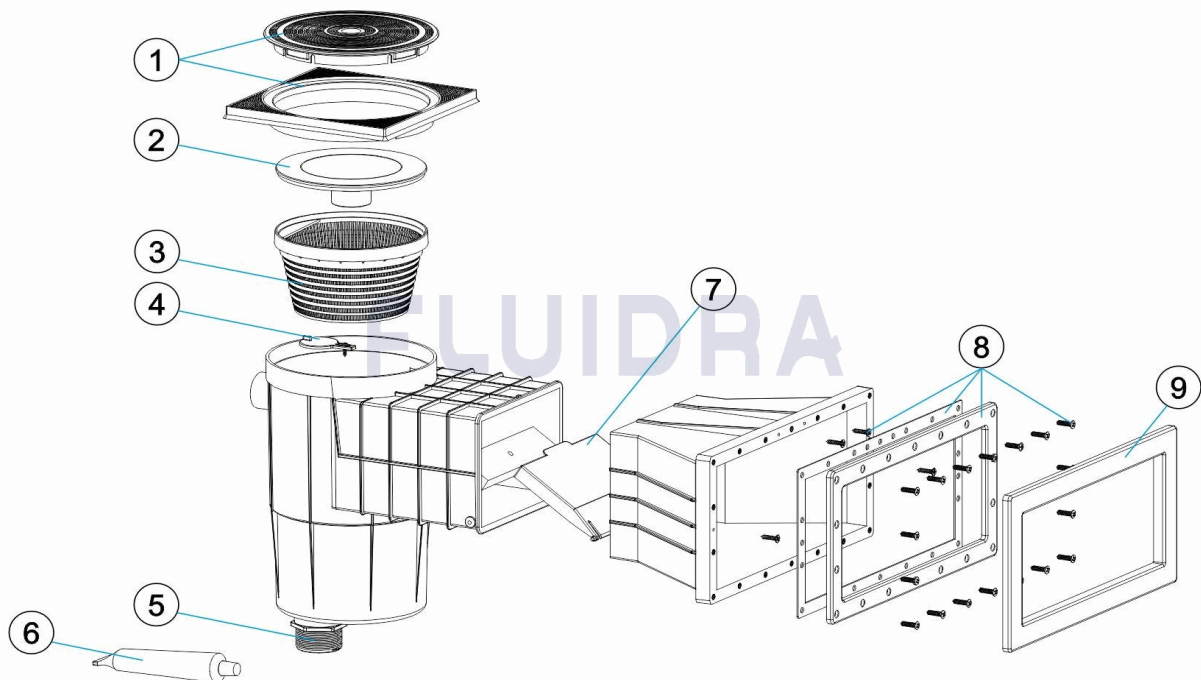
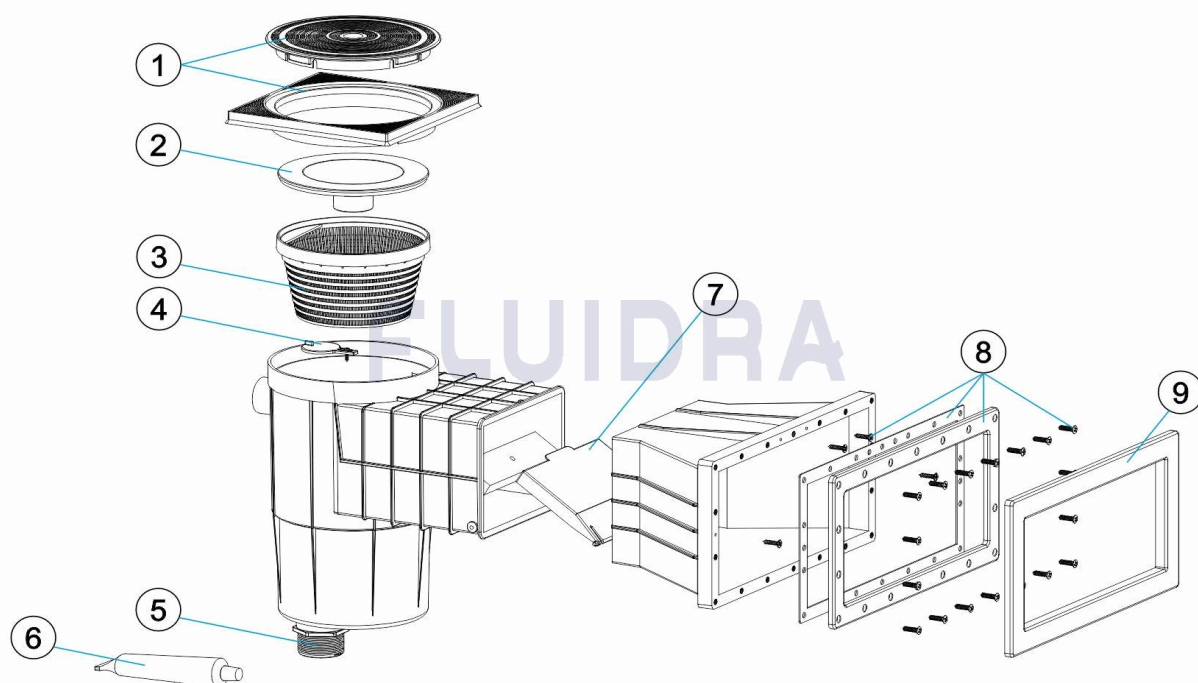


CODIGO **A-004-ESP**

 DESCRIPCION: **SKIMMER BOCA CONICA**

ESPAÑOL

POS	CODIGO	DESCRIPCION	CANTIDAD	POS	CODIGO	DESCRIPCION	CANTIDAD
1	SP-02-0042	MARCO CUADRADO Y TAPA		6	30884	ADHESIVO PARA ABS	
2	SP-02-0043	TAPA ASPIRACION SKIMMER		7	SP-02-0123	COMPUERTA SKIMMER	
3	SP-02-0050	CESTO SKIMMER		8	SP-02-0132	BRIDA + JUNTA	
4	SP-02-0044	CLAPETA SKIMMER		9	SP-02-0047	EMBELLECEDOR SKIMMER	
5	SP-02-0049	MACHON SKIMMER ROSCADO					

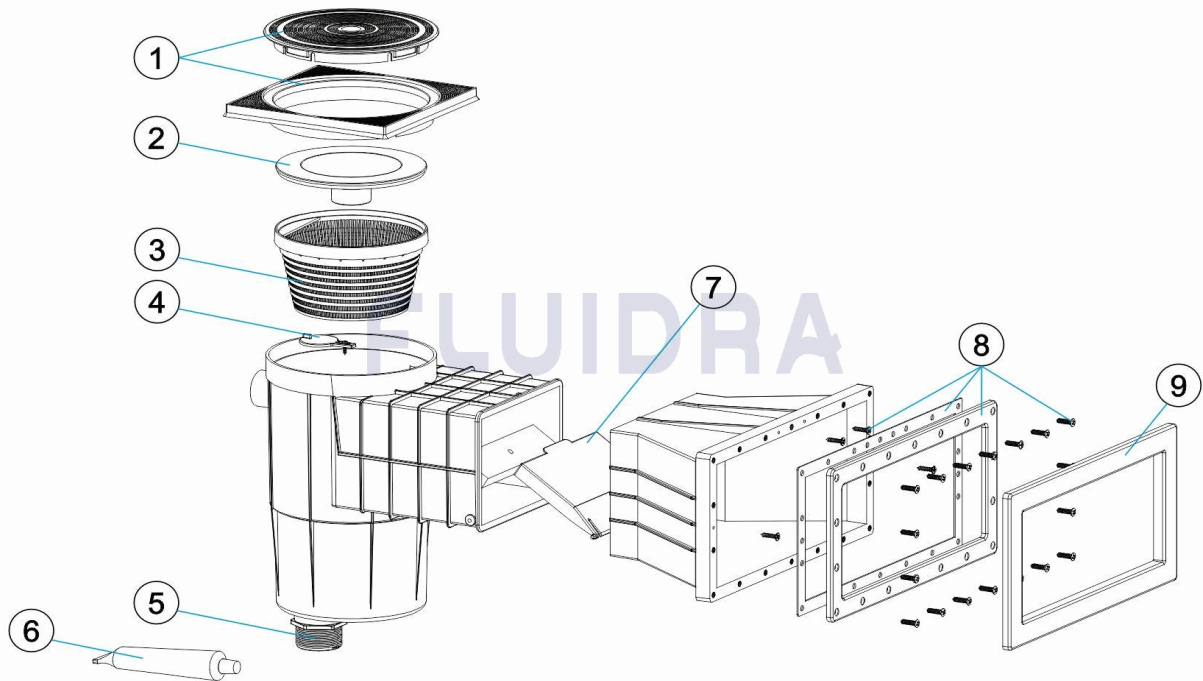
CODE **A-004-ESP**

 DESCRIPTION: **SKIMMER OUVERTURE CONIQUE**

FRANCAIS

POS	CODE	DESCRIPTION	QUANTITE	POS	CODE	DESCRIPTION	QUANTITE
1	SP-02-0042	CADRE ET COUVERCLE ROND		6	30884	ADHÉSIF POUR ABS	
2	SP-02-0043	COUVERCLE ASPIRATION SKIMMER		7	SP-02-0123	COLET DE SKIMMER	
3	SP-02-0050	PANIER SKIMMER		8	SP-02-0132	BRIDE + JOINT	
4	SP-02-0044	CLAPET SKIMMER		9	SP-02-0047	ENJOLIVEUR SKIMMER	
5	SP-02-0049	MANCHON					

CODE **A-004-ESP**

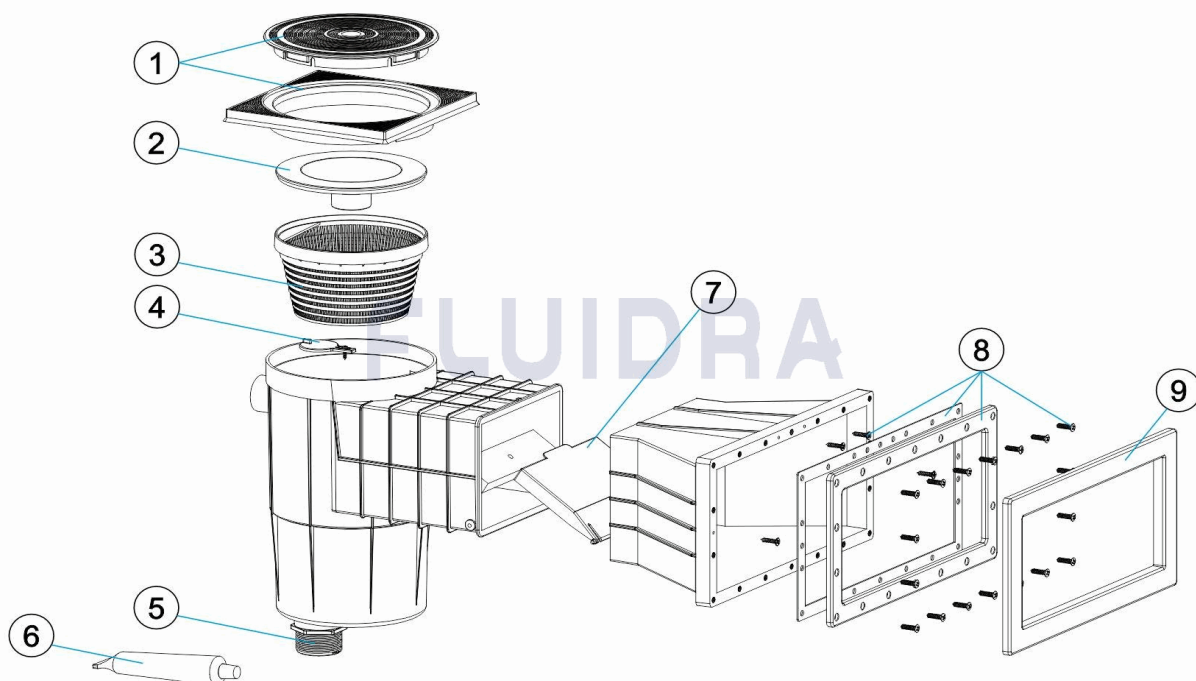
DESCRIPTION: **SKIMMER CONICAL MOUTH**



ENGLISH

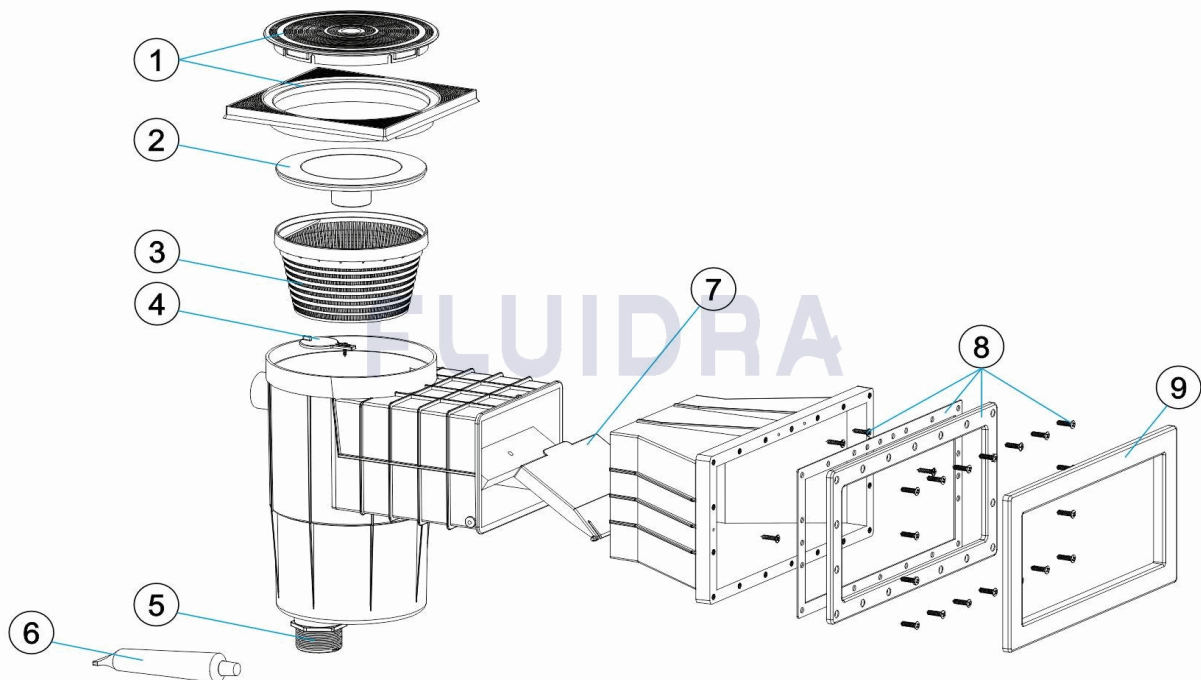
POS	CODE	DESCRIPTION	QUANTITY	POS	CODE	DESCRIPTION	QUANTITY
1	SP-02-0042	SQUARE RIM AND LID		6	30884	ADHESIVE FOR ABS	
2	SP-02-0043	SKIMMER BASKET FOR ABOVE GROUND		7	SP-02-0123	SKIMMER FLAP	
3	SP-02-0050	SKIMMER BASKET		8	SP-02-0132	FLANGE + GASKET	
4	SP-02-0044	KEYHOLE FLAP		9	SP-02-0047	SKIMMER FACEPLATE	
5	SP-02-0049	SPIGOT					

CODICE **A-004-ESP**

 DESCRIZIONE: **SKIMMER IMBOCCATURA CONICA**

ITALIANO

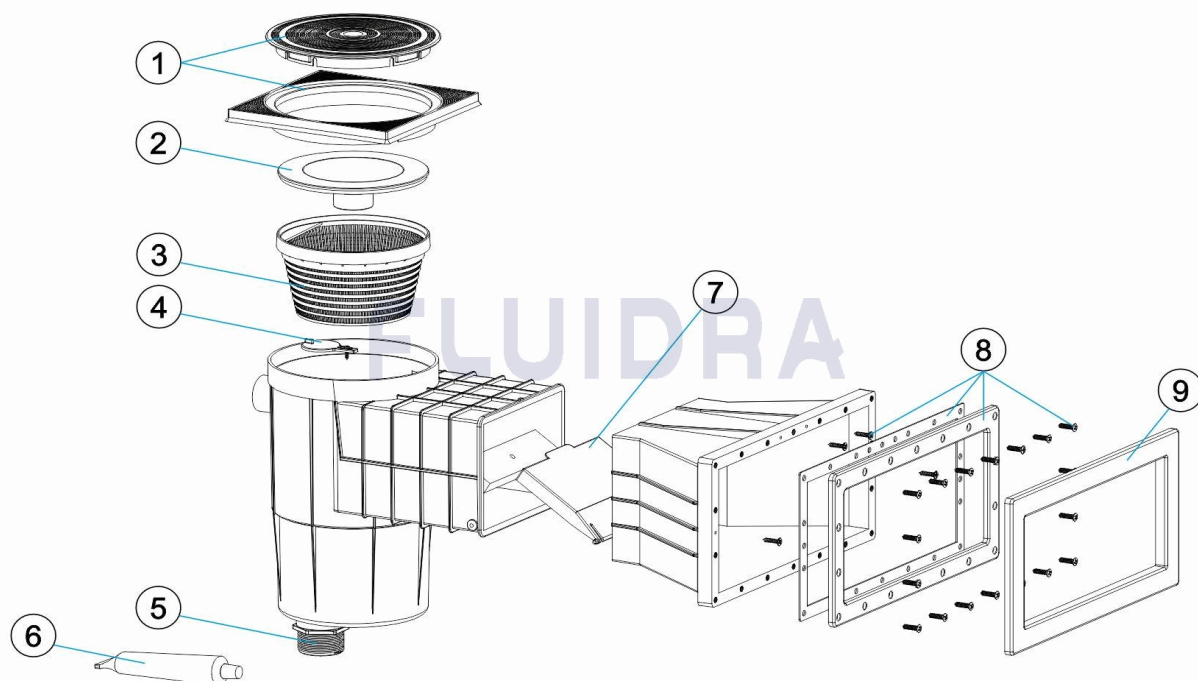
POS	CODICE	DESCRIZIONE	QUANTITA'	POS	CODICE	DESCRIZIONE	QUANTITA'
1	SP-02-0042	FLANGIA QUADRATA E COPERCHIO		6	30884	ADESIVO PER ABS	
2	SP-02-0043	COPERCHIO ASPIRAZIONE SKIMMER		7	SP-02-0123	BATTENTE SKIMMER	
3	SP-02-0050	CESTELLO SKIMMER		8	SP-02-0132	FLANGIA + GUARNIZIONE	
4	SP-02-0044	ALETTA PARZIALIZZATRICE SKIMMER		9	SP-02-0047	ANELLO FRONTALE SKIMMER	
5	SP-02-0049	NIPPOLO					

CODE **A-004-ESP**

 BESCHREIBUNG: **SKIMMER EINLASS KONISCH**

DEUTSCH

POS	CODE	BESCHREIBUNG	MENGE	POS	CODE	BESCHREIBUNG	MENGE
1	SP-02-0042	QUADRATISCHER RAHMEN UND ABDECKL		6	30884	AUFKLEBER ABS	
2	SP-02-0043	ABDECKUNG SKIMMER		7	SP-02-0123	SKIMMERKLAPPE	
3	SP-02-0050	SKIMMERKORB		8	SP-02-0132	FLANSCH UND DICHTUNG	
4	SP-02-0044	ABDECKKAPPE		9	SP-02-0047	BLENDE SKIMMER	
5	SP-02-0049	SCHRAUBTEIL					

CODIGO **A-004-ESP**

 DESCRIÇÃO: **SKIMMER BOCA CÔNICA**

PORTUGUES

POS	CODIGO	DESCRIÇÃO	JANTIDADE	POS	CODIGO	DESCRIÇÃO	JANTIDADE
1	SP-02-0042	ARO QUADRADO E TAMPA		6	30884	ADESIVO PARA ABS	
2	SP-02-0043	TAMPA ASPIRAÇÃO SKIMMER		7	SP-02-0123	BATTENTE SKIMMER	
3	SP-02-0050	CESTO SKIMMER		8	SP-02-0132	FLANGE + JUNTA	
4	SP-02-0044	CLAPETA SKIMMER		9	SP-02-0047	EMBELEZEDOR SKIMMER	
5	SP-02-0049	MACHO					