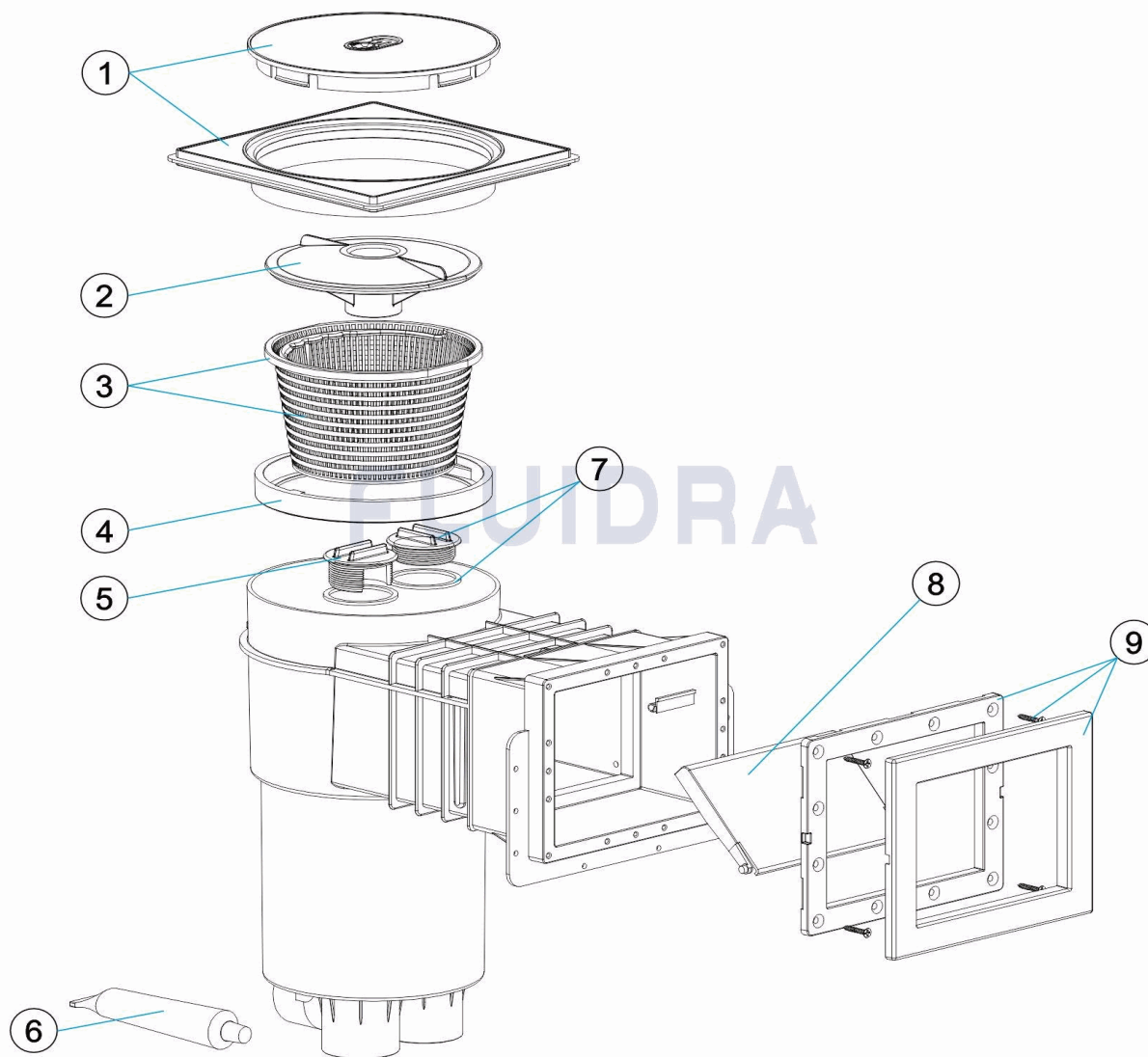
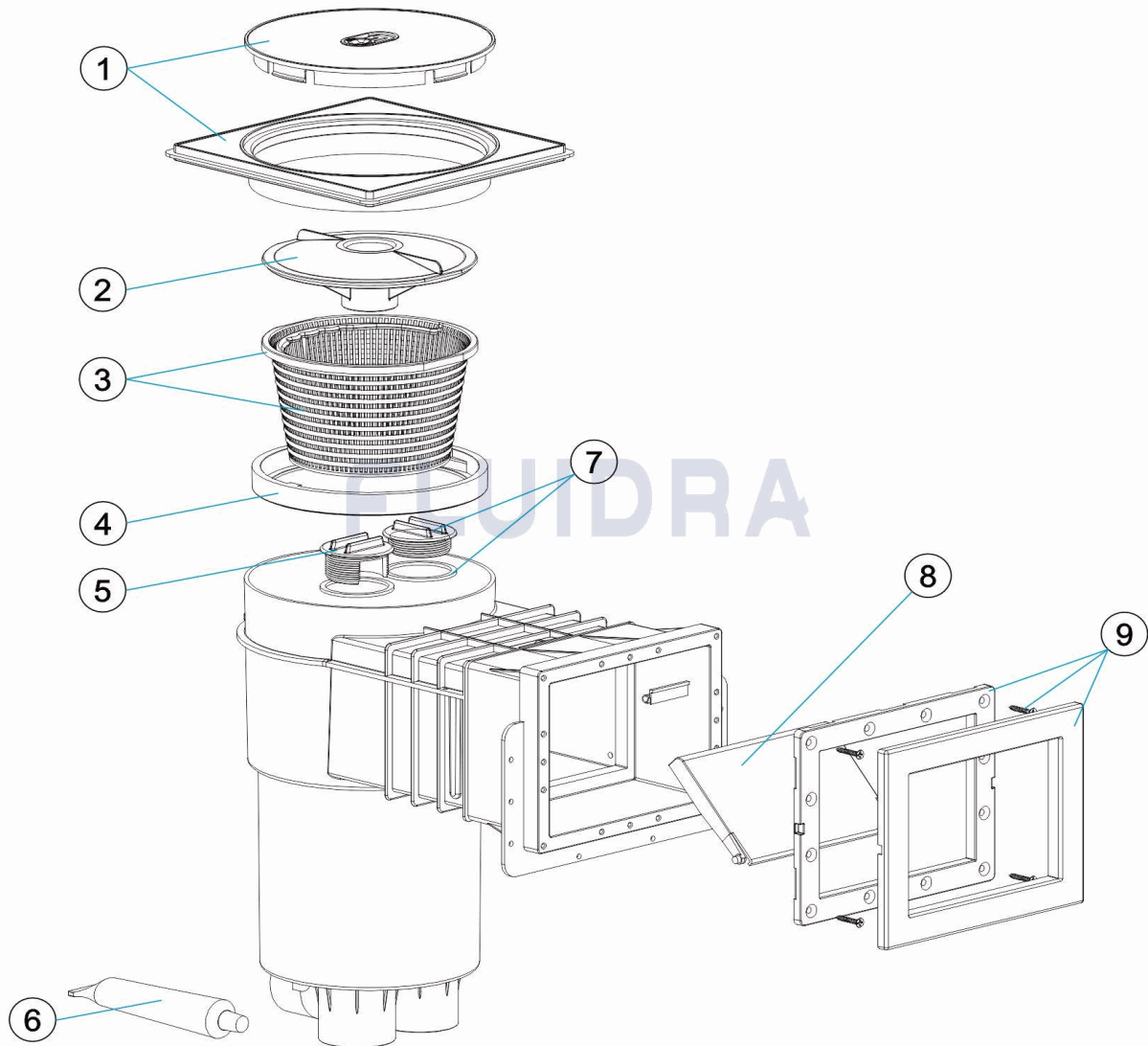


CODIGO **E-008**

 DESCRIPCION: **SUPER SKIMMER**

**ESPAÑOL**

POS	CODIGO	DESCRIPCION	CANTIDAD	POS	CODIGO	DESCRIPCION	CANTIDAD
1	SP-02-0169	MARCO CON TAPA SKIMMER		6	30884	ADHESIVO PARA ABS	
2	SP-02-0018	TAPA CESTO SKIMMER		7	SP-02-0021	TAPON CON JUNTA	
3	SP-02-0019	CESTO SKIMMER 17,5 LTS.		8	SP-02-0102	COMPUERTA SKIMMER	
4	SP-02-0170	SOPORTE CESTO SKIMMER		9	SP-02-0171	EMBELLECEDOR CON BRIDA Y TORNILLOS	
5	SP-02-0020	TAPON REGULADOR					

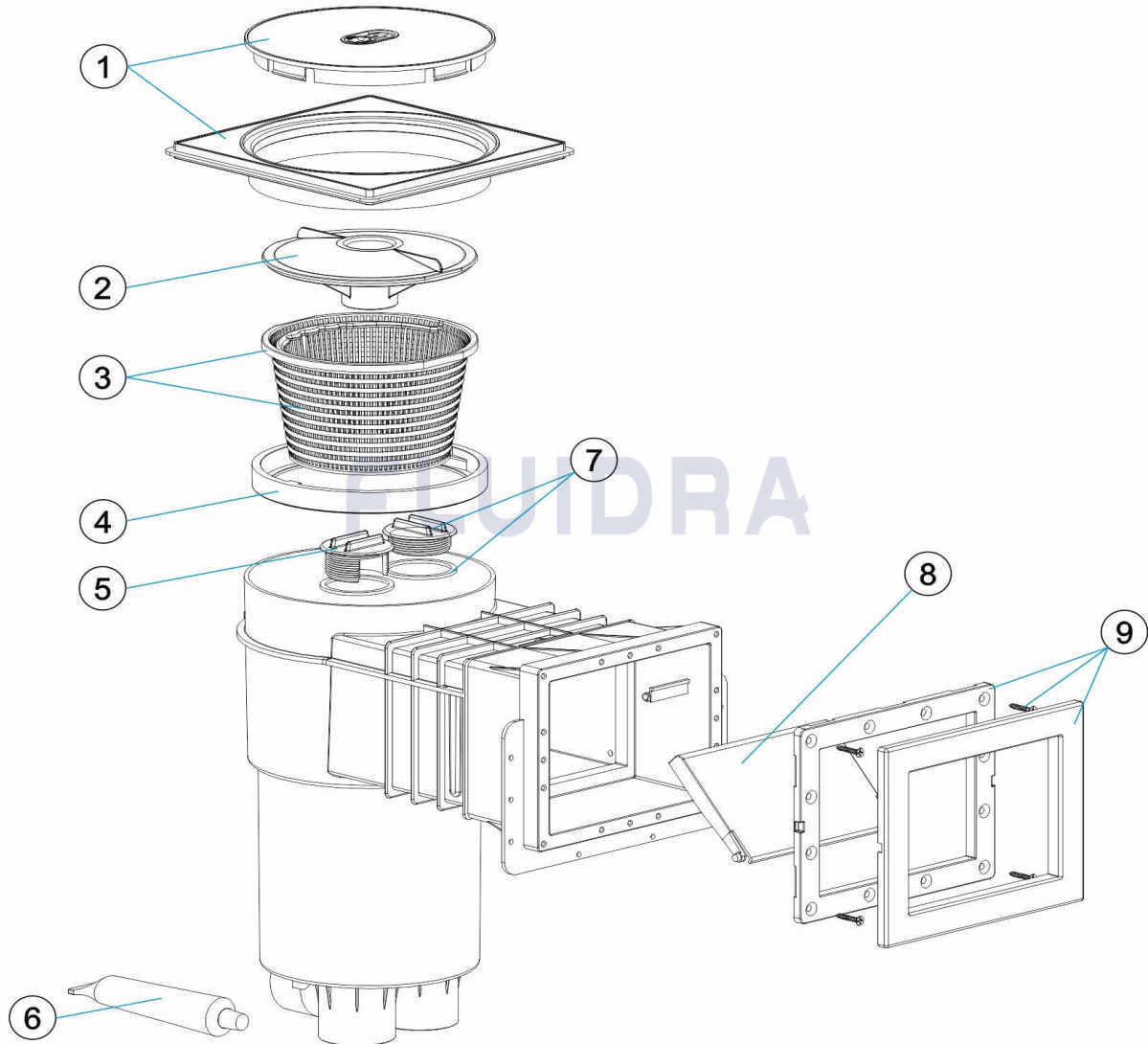
CODE **E-008**

 DESCRIPTION: **SUPER SKIMMER**

**FRANCAIS**

POS	CODE	DESCRIPTION	QUANTITE	POS	CODE	DESCRIPTION	QUANTITE
1	SP-02-0169	COUVERCLE ET CADRE DE SKIMMER		6	30884	ADHÉSIF POUR ABS	
2	SP-02-0018	COUVERCLE PANIER SKIMMER		7	SP-02-0021	BOUCHON SKIMMER AVEC JOINT	
3	SP-02-0019	PANIER SKIMMER 17,5 LTS		8	SP-02-0102	COLET DE SKIMMER	
4	SP-02-0170	SUPPORT PANIER SKIMMER		9	SP-02-0171	ENJOLIVEUR AVEC BRIDE ET VIS	
5	SP-02-0020	BOUCHON REGULATEUR					

CODE **E-008**

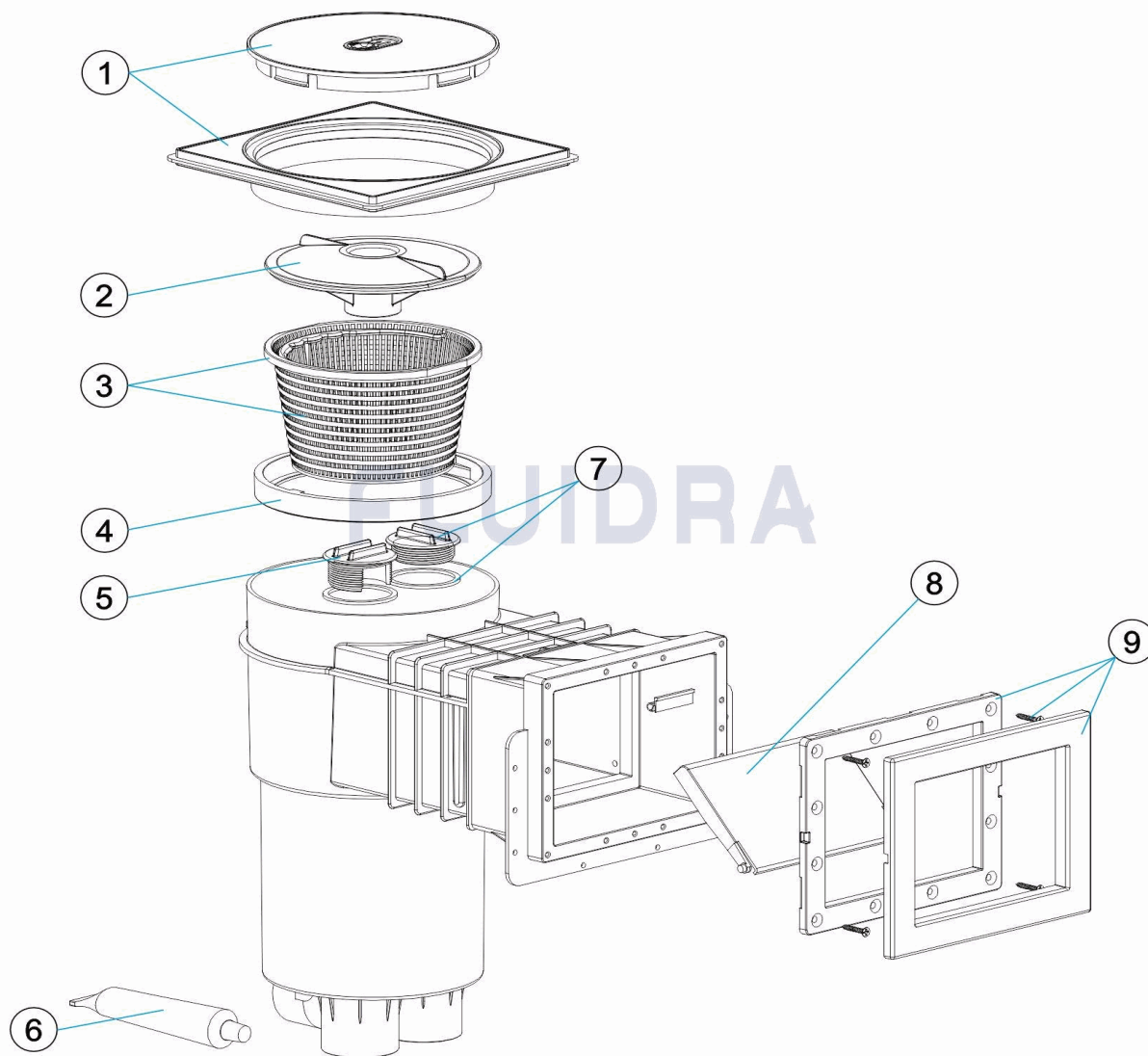
DESCRIPTION: **SUPER SKIMMER**



**ENGLISH**

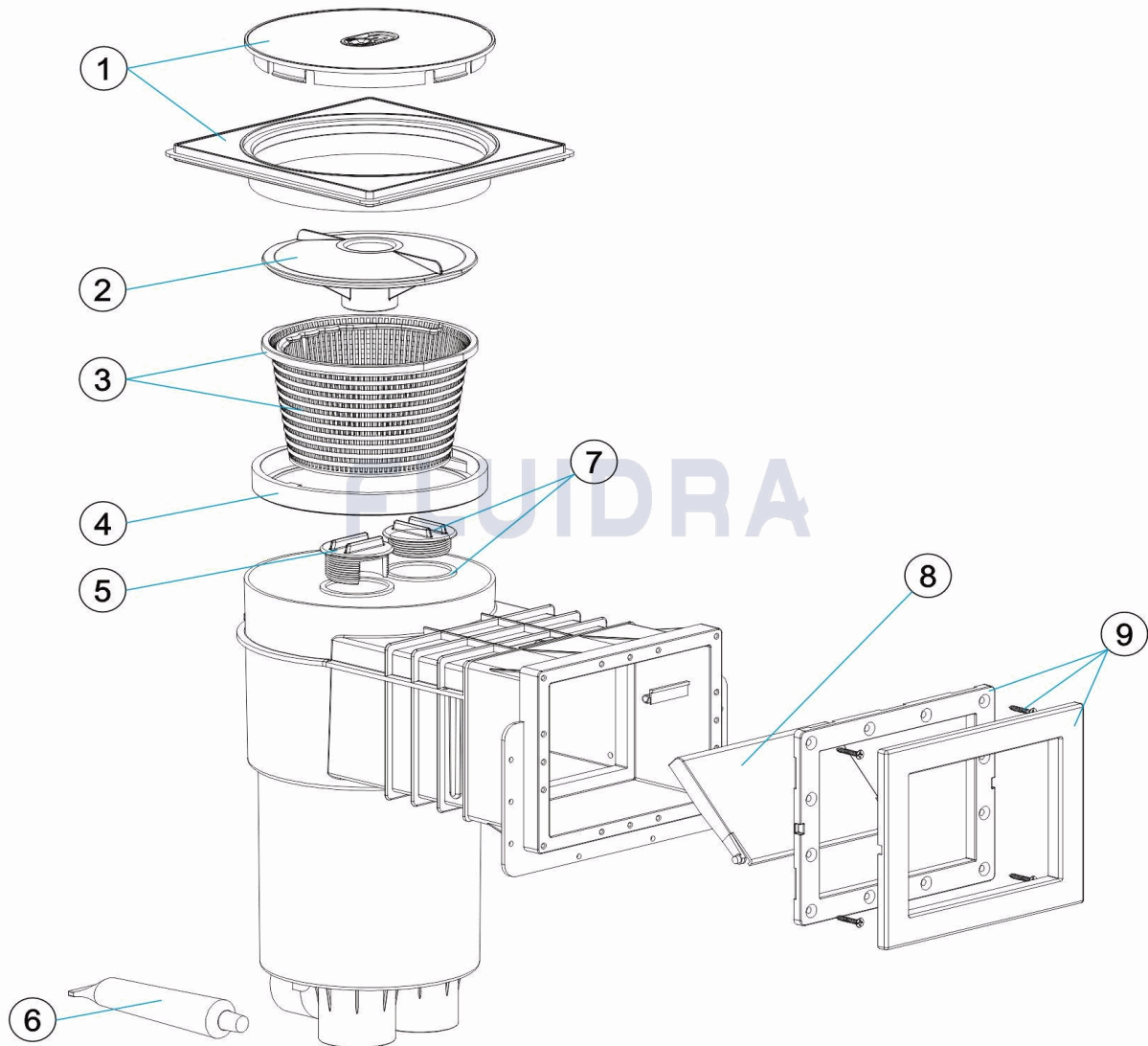
POS	CODE	DESCRIPTION	QUANTITY	POS	CODE	DESCRIPTION	QUANTITY
1	SP-02-0169	LID AND FRAME		6	30884	ADHESIVE FOR ABS	
2	SP-02-0018	VACUUM PLATE		7	SP-02-0021	BLANKING PLUG AND 'O' RING	
3	SP-02-0019	BASKET 17,5 LITRES		8	SP-02-0102	SKIMMER FLAP	
4	SP-02-0170	SKIMMER BASKET BRACKET		9	SP-02-0171	TRIM WITH FLANGE AND SCREWS	
5	SP-02-0020	REGULATING PLUG					

CODICE **E-008**

 DESCRIZIONE: **SUPER SKIMMER**

**ITALIANO**

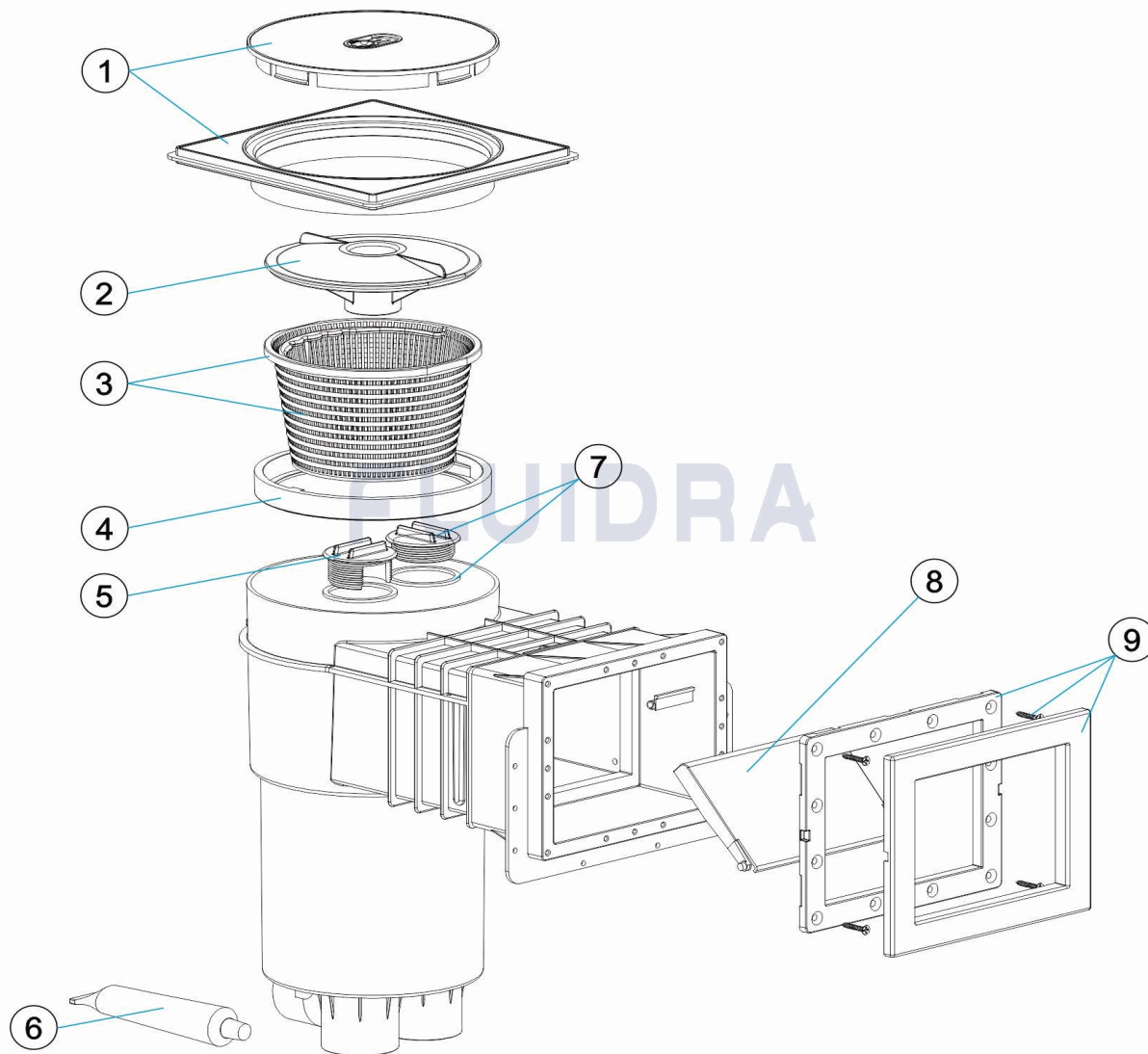
POS	CODICE	DESCRIZIONE	QUANTITA'	POS	CODICE	DESCRIZIONE	QUANTITA'
1	SP-02-0169	CORNICE CON COPERCHIO SKIMMER	6	30884	30884	ADESIVO PER ABS	
2	SP-02-0018	COPERCHIO CESTELLO SKIMMER	7	SP-02-0021	SP-02-0021	TAPPO CON GUARNIZIONE	
3	SP-02-0019	CESTELLO SKIMMER DA 17,5 LITRI	8	SP-02-0102	SP-02-0102	BATTENTE SKIMMER	
4	SP-02-0170	SUPPORTO CESTELLO SKIMMER	9	SP-02-0171	SP-02-0171	FLANGIA FINITURA CON CONTROFLANGIA	
5	SP-02-0020	TAPPO DI REGOLAZIONE					

CODE **E-008**

 BESCHREIBUNG: **SUPER SKIMMER**

**DEUTSCH**

POS	CODE	BESCHREIBUNG	MENGE	POS	CODE	BESCHREIBUNG	MENGE
1	SP-02-0169	RAHMEN MIT SKIMMERDECKEL		6	30884	AUFKLEBER ABS	
2	SP-02-0018	ABDECKUNG SKIMMKORB		7	SP-02-0021	STOPFEN UND DICHTUNG	
3	SP-02-0019	SKIMMERKORB 17,5 L		8	SP-02-0102	SKIMMERKLAPPE	
4	SP-02-0170	TERUNG SKIMMERKORB		9	SP-02-0171	BLENDE MIT FLANSCH UND SCHRAUBEN	
5	SP-02-0020	STOPFEN REGULIERUNG					

CODIGO **E-008**

 DESCRIÇÃO: **SUPER SKIMMER**

**PORTUGUES**

POS	CODIGO	DESCRIÇÃO	JANTIDADE	POS	CODIGO	DESCRIÇÃO	JANTIDADE
1	SP-02-0169	ARO COM TAMPA SKIMMER		6	30884	ADESIVO PARA ABS	
2	SP-02-0018	TAMPA CESTO SKIMMER		7	SP-02-0021	TAMPA COM JUNTA	
3	SP-02-0019	CESTO SKIMMER 17,5 LTS		8	SP-02-0102	BATTENTE SKIMMER	
4	SP-02-0170	SUPORTE CESTO SKIMMER		9	SP-02-0171	EMBELEZADOR COM BRIDA E PARAFUSOS	
5	SP-02-0020	TAMPA REGULADORA					